



US00D926352S

(12) **United States Design Patent**  
**Zhou**

(10) **Patent No.:** **US D926,352 S**

(45) **Date of Patent:** **\*\* Jul. 27, 2021**

(54) **SMART MODULAR LIGHTING**

(71) Applicant: **SHENZHEN THANKSHOME TECHNOLOGY CO., LTD**, Shenzhen (CN)

(72) Inventor: **Chaoqun Zhou**, Shenzhen (CN)

(\*\*) Term: **15 Years**

(21) Appl. No.: **29/710,233**

(22) Filed: **Oct. 22, 2019**

(30) **Foreign Application Priority Data**

Oct. 15, 2019 (EM) ..... 007021381

(51) **LOC (13) Cl.** ..... **26-05**

(52) **U.S. Cl.**  
USPC ..... **D26/118**

(58) **Field of Classification Search**  
USPC .... D26/1, 24, 72, 80, 81, 86, 102, 110, 118, D26/120, 130; D10/114.2, 113.4  
CPC .... F21S 6/00; F21S 6/003; F21S 6/006; F21S 9/00; F21S 9/022; F21V 15/00; F21V 15/01; F21V 15/012; F21V 3/0615; F21V 3/0625

See application file for complete search history.

(56) **References Cited**

U.S. PATENT DOCUMENTS

D283,257 S *	4/1986	Ikeda	.....	D11/131
D309,953 S *	8/1990	Chien	.....	D26/67
D340,001 S *	10/1993	Watkins	.....	D10/113.4
D391,881 S *	3/1998	Youseph	.....	D10/113.4
D448,393 S *	9/2001	Hartlohner	.....	D15/139
D471,833 S *	3/2003	Jacober	.....	D10/114.1
D520,395 S *	5/2006	Lazalier	.....	D10/113.4

D625,877 S *	10/2010	Hsu	.....	D26/80
D634,885 S *	3/2011	Kim	.....	D26/138
D634,886 S *	3/2011	Kim	.....	D26/138
D653,579 S *	2/2012	Niven	.....	D10/114.2
D669,759 S *	10/2012	Castilleja	.....	D8/354
RE45,162 E *	9/2014	Hierzer	.....	D26/89
D761,484 S *	7/2016	Laukkanen	.....	D26/118
D805,659 S *	12/2017	Hochman	.....	D26/1
D823,492 S *	7/2018	Welch	.....	D26/1
D824,080 S *	7/2018	Dietz	.....	F21V 1/06 D26/102
D826,450 S *	8/2018	Clark	.....	D26/80
D841,871 S *	2/2019	Zhu	.....	D26/89
D862,779 S *	10/2019	Anderson	.....	D26/118
D874,690 S *	2/2020	Dreher	.....	D26/1
D879,363 S *	3/2020	Young	.....	D26/118

\* cited by examiner

*Primary Examiner* — Wan Laymon

*Assistant Examiner* — Clint A Samuel

(57) **CLAIM**

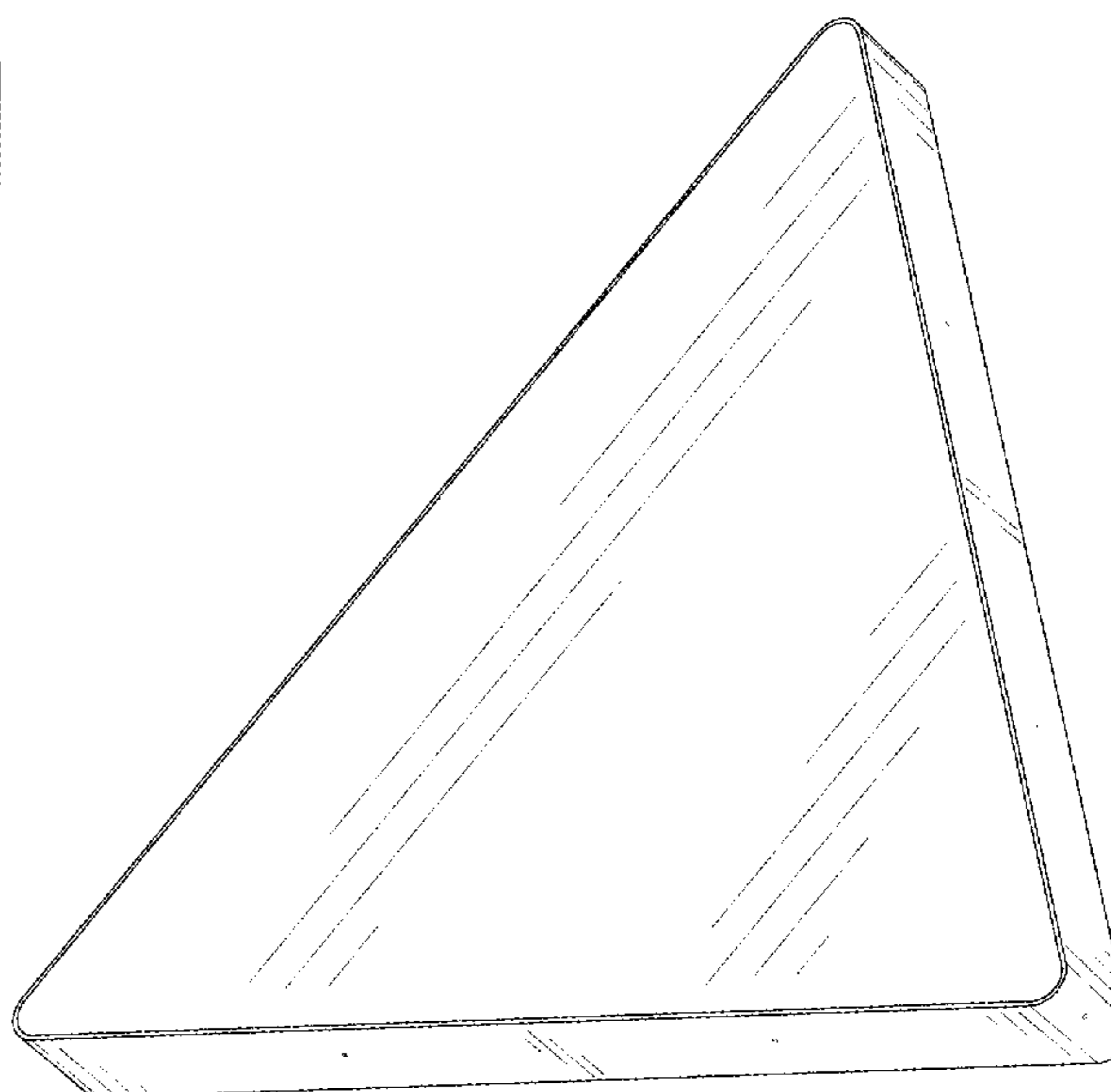
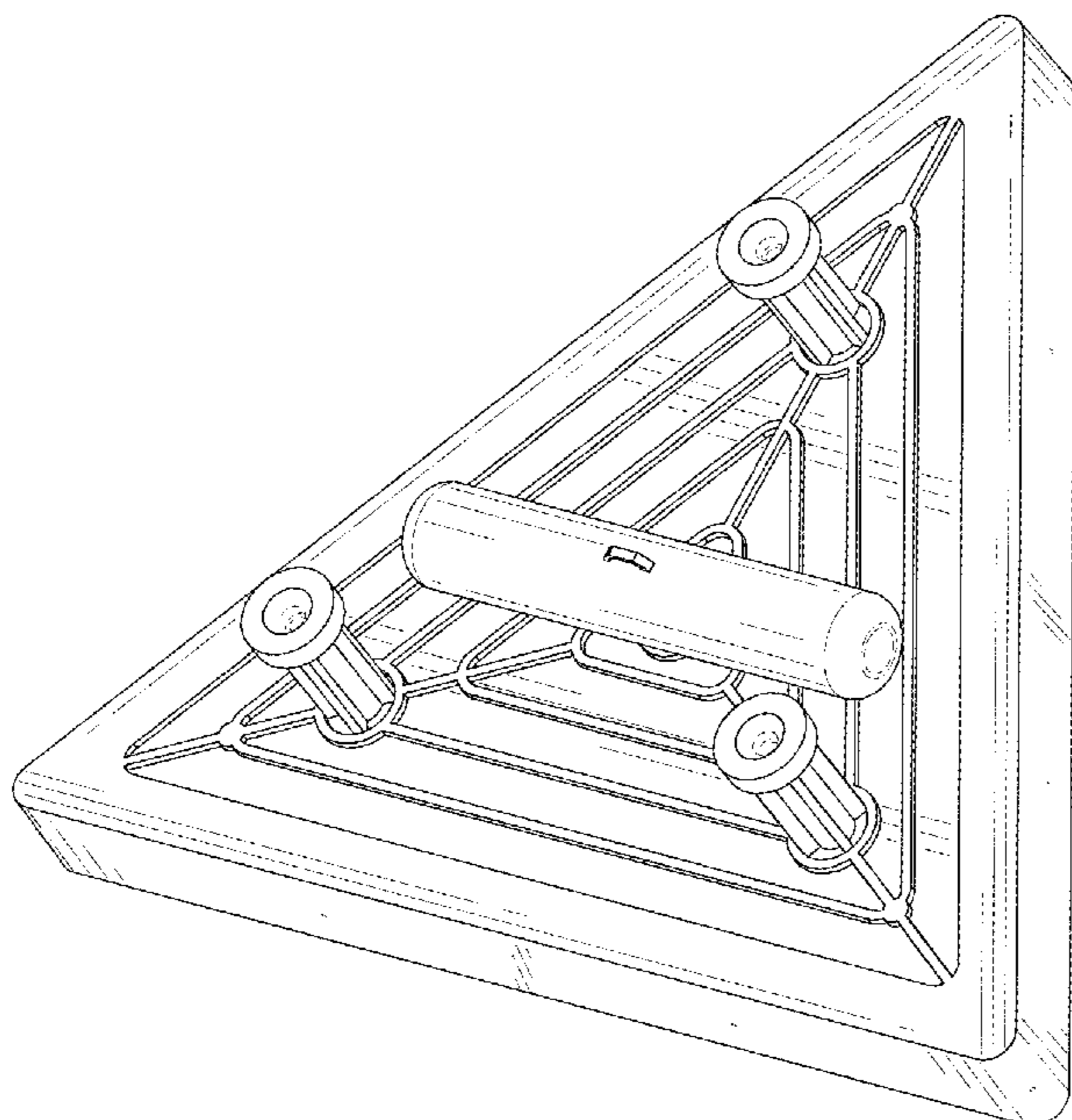
The ornamental design for a smart modular lighting, as shown and described.

**DESCRIPTION**

FIG. 1 is a rear and bottom perspective view of a smart modular lighting, showing my new design;  
 FIG. 2 is a front and bottom perspective view thereof;  
 FIG. 3 is a front elevational view thereof;  
 FIG. 4 is a rear elevational view thereof;  
 FIG. 5 is a left side elevational view thereof;  
 FIG. 6 is a right side elevational view thereof;  
 FIG. 7 is a top plan view thereof; and,  
 FIG. 8 is a bottom plan view thereof.

The broken lines in the figures illustrate portions of the smart modular lighting that form no part of the claimed design.

**1 Claim, 8 Drawing Sheets**



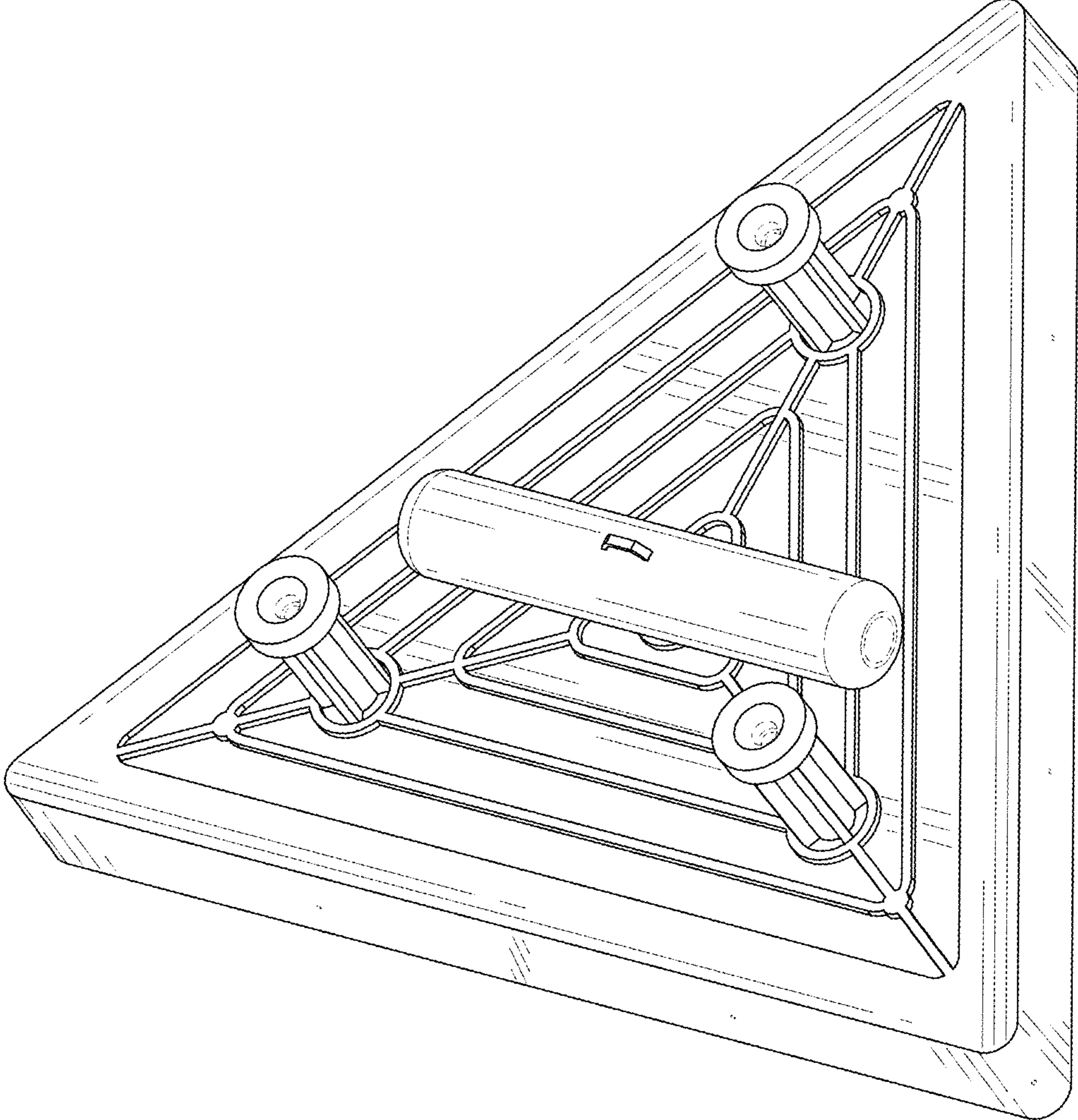


FIG. 1

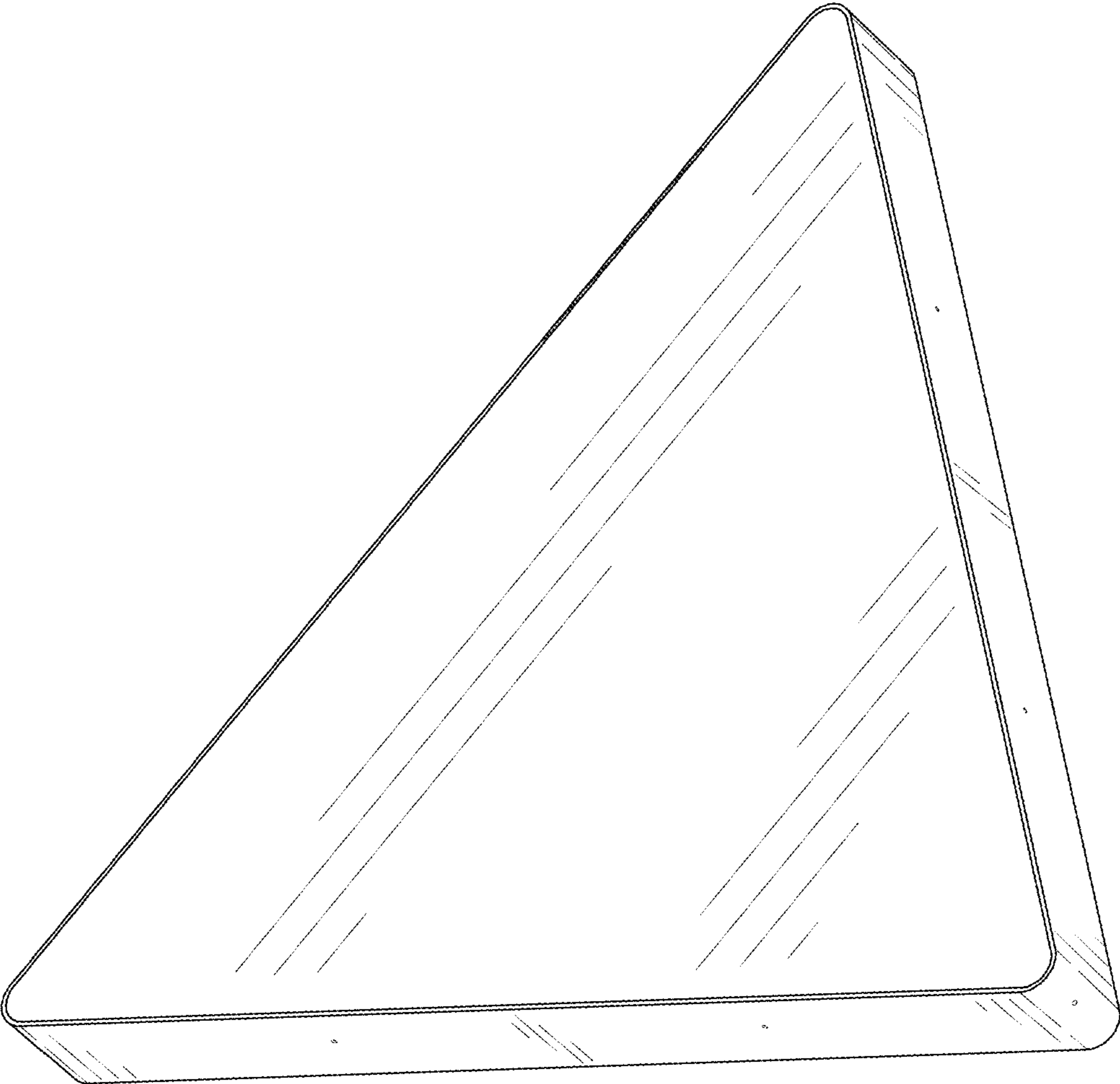


FIG. 2

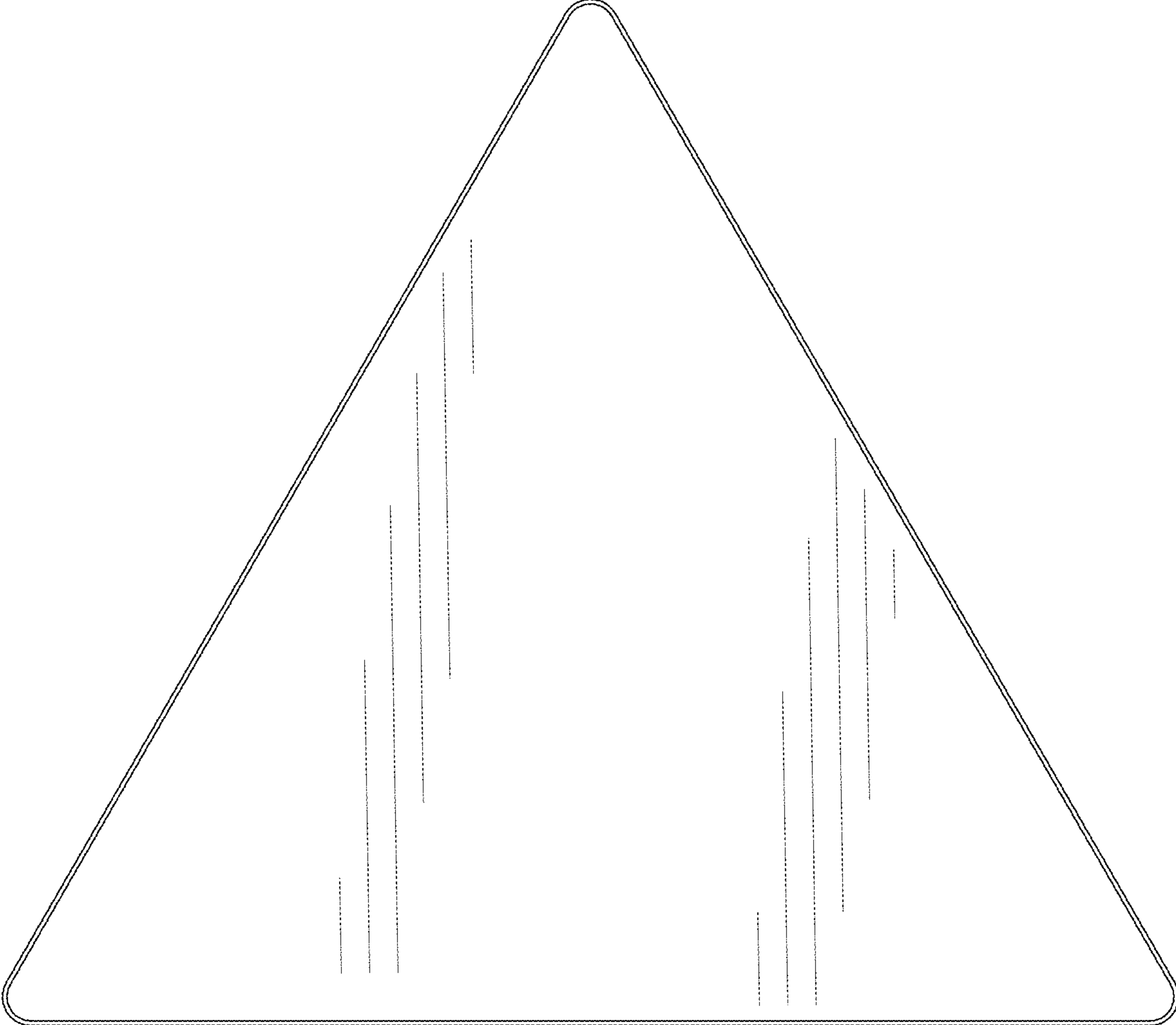


FIG. 3

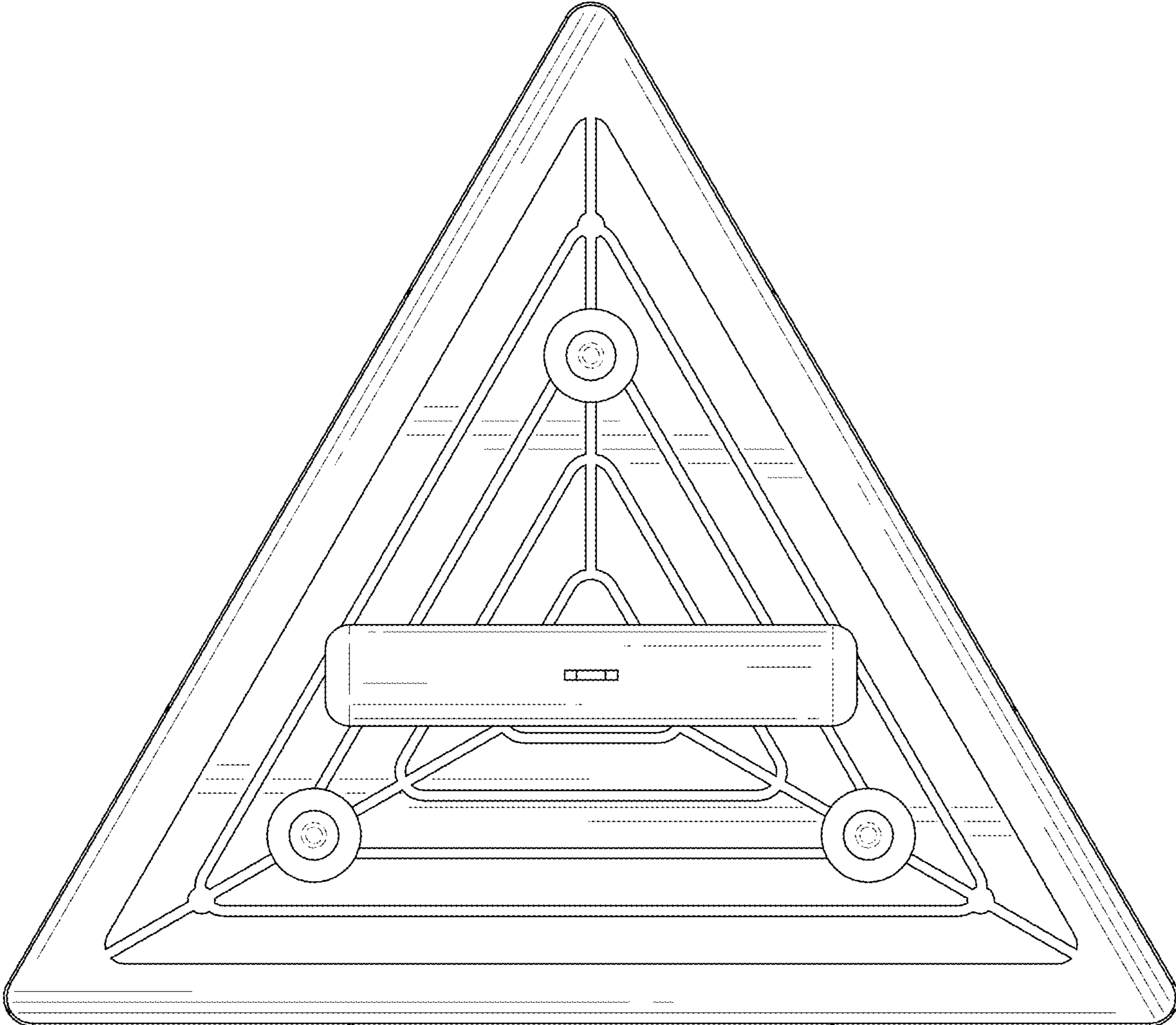


FIG. 4

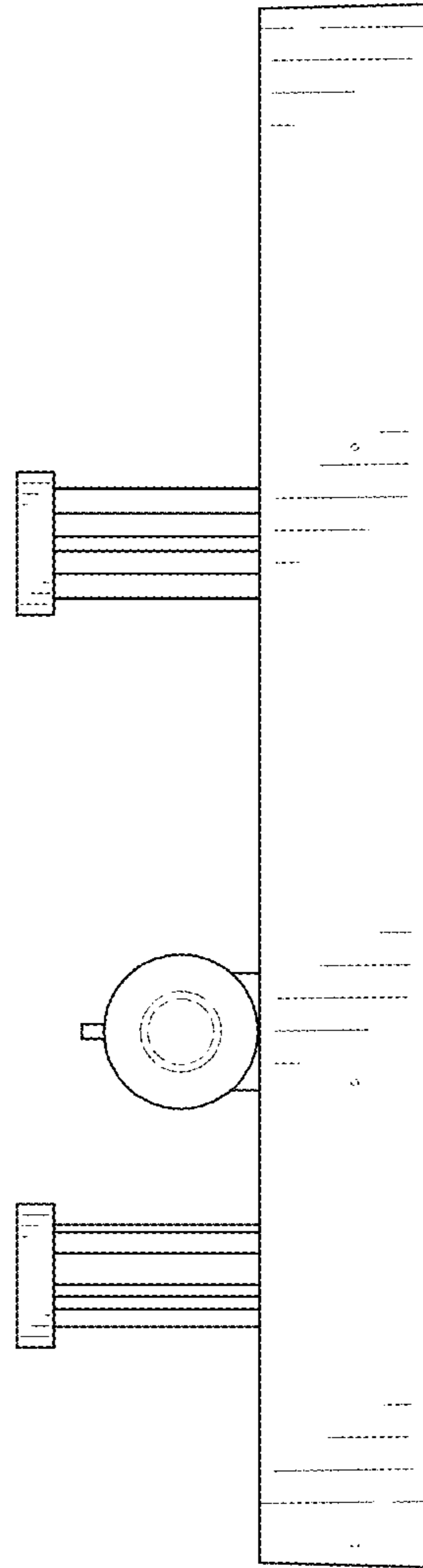


FIG. 5

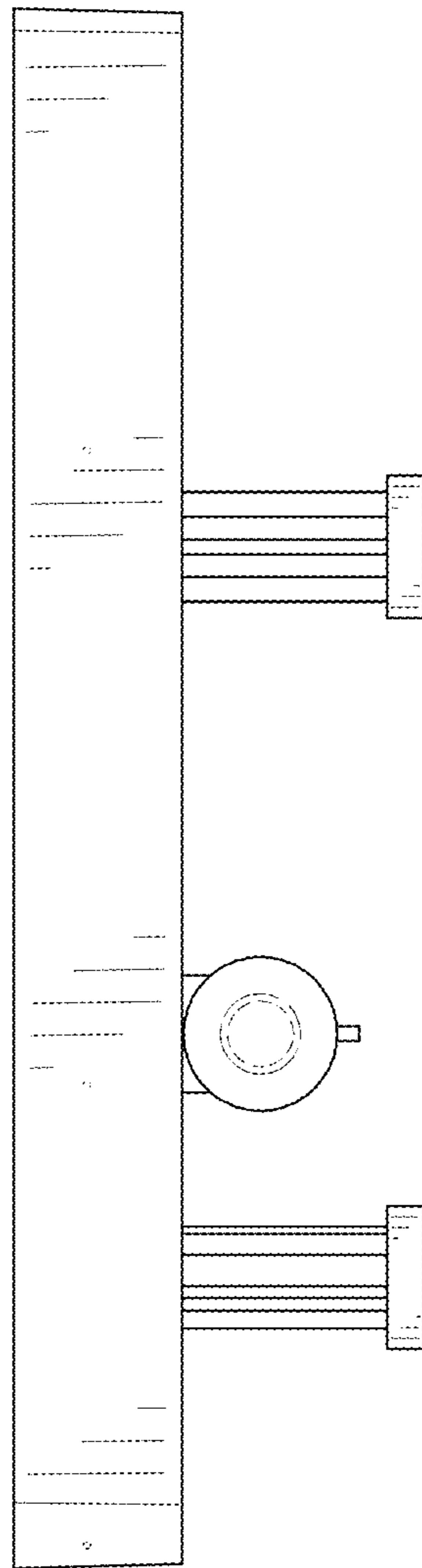


FIG. 6

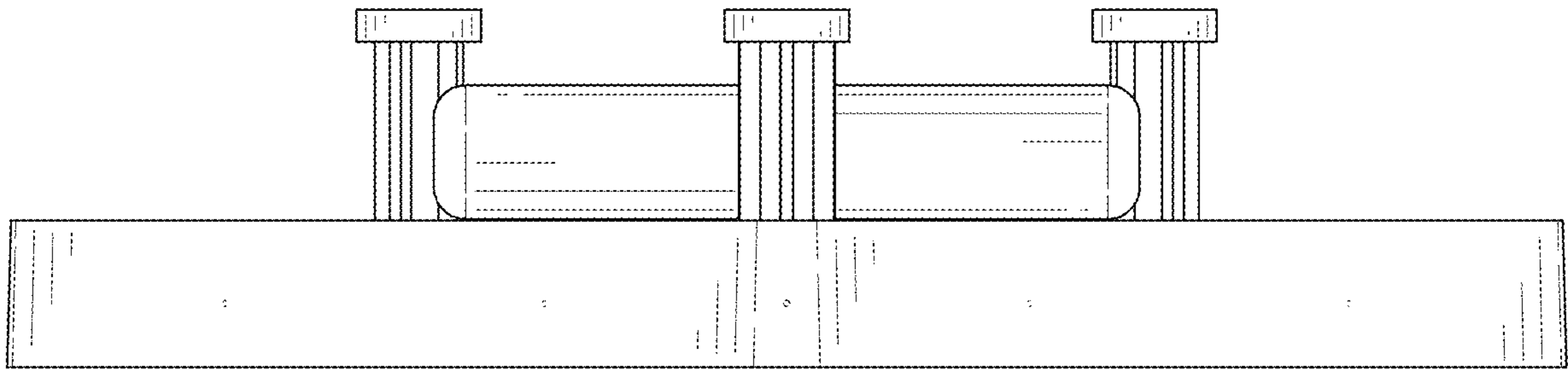


FIG. 7



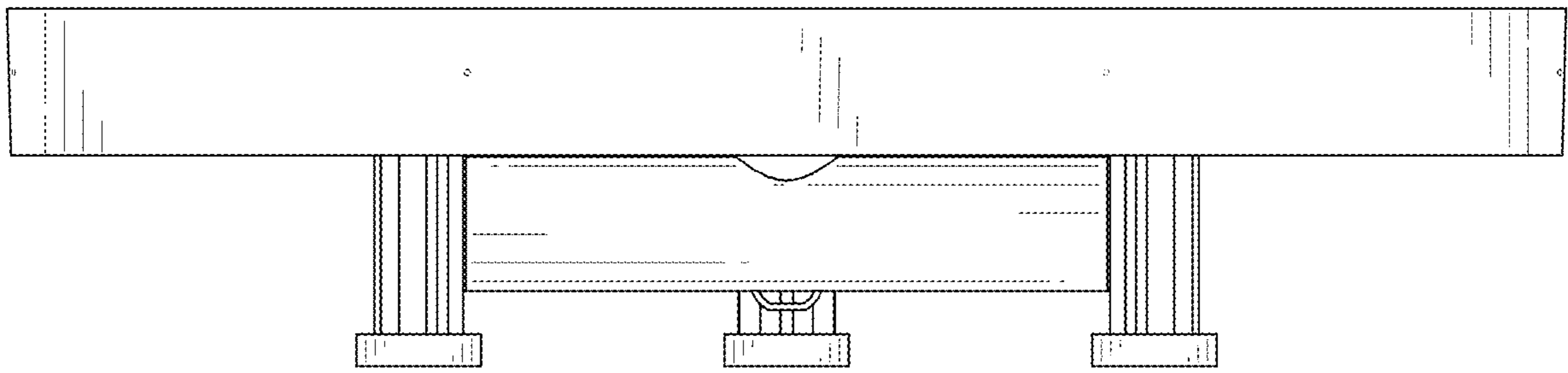


FIG. 8