



US00D926349S

(12) **United States Design Patent**
Lin

(10) **Patent No.:** **US D926,349 S**
(45) **Date of Patent:** **** Jul. 27, 2021**

(54) **LAMP**

(71) Applicant: **Meimei Lin**, Zhanjiang (CN)

(72) Inventor: **Meimei Lin**, Zhanjiang (CN)

(**) Term: **15 Years**

(21) Appl. No.: **29/759,372**

(22) Filed: **Nov. 23, 2020**

(51) **LOC (13) Cl.** **26-05**

(52) **U.S. Cl.**
USPC **D26/86; D26/87**

(58) **Field of Classification Search**
USPC **D26/72, 85-87, 92**

(Continued)

(56) **References Cited**

U.S. PATENT DOCUMENTS

D443,380 S * 6/2001 Williams D26/87
D443,381 S * 6/2001 Williams D26/87

(Continued)

OTHER PUBLICATIONS

Oowolf LED Bathroom Vanity Light, ASIN: B08DKPKP51 available at amazon.com Jul. 24, 2020. (Year: 2020).*

(Continued)

Primary Examiner — Clare E Heflin

(57) **CLAIM**

The ornamental design for a lamp, as shown and described.

DESCRIPTION

FIG. 1 is a perspective view of a first embodiment of a lamp showing my new design;

FIG. 2 is another perspective view thereof;

FIG. 3 is a front elevational view thereof;

FIG. 4 is a rear elevational view thereof;

FIG. 5 is a left side elevational view thereof;

FIG. 6 is a right side elevational view thereof;

FIG. 7 is a top plan view thereof;

FIG. 8 is a bottom plan view thereof;

FIG. 9 is a perspective view of a second embodiment of the lamp showing my new design;

FIG. 10 is another perspective view thereof;

FIG. 11 is a front elevational view thereof;

FIG. 12 is a rear elevational view thereof;

FIG. 13 is a left side elevational view thereof;

FIG. 14 is a right side elevational view thereof;

FIG. 15 is a top plan view thereof;

FIG. 16 is a bottom plan view thereof;

FIG. 17 is a perspective view of a third embodiment of the lamp showing my new design;

FIG. 18 is another perspective view thereof;

FIG. 19 is a front elevational view thereof;

FIG. 20 is a rear elevational view thereof;

FIG. 21 is a left side elevational view thereof;

FIG. 22 is a right side elevational view thereof;

FIG. 23 is a top plan view thereof;

FIG. 24 is a bottom plan view thereof;

FIG. 25 is a perspective view of a fourth embodiment of the lamp showing my new design;

FIG. 26 is another perspective view thereof;

FIG. 27 is a front elevational view thereof;

FIG. 28 is a rear elevational view thereof;

FIG. 29 is a left side elevational view thereof;

FIG. 30 is a right side elevational view thereof;

FIG. 31 is a top plan view thereof;

FIG. 32 is a bottom plan view thereof;

FIG. 33 is a perspective view of a fifth embodiment of the lamp showing my new design;

FIG. 34 is another perspective view thereof;

FIG. 35 is a front elevational view thereof;

FIG. 36 is a rear elevational view thereof;

FIG. 37 is a left side elevational view thereof;

FIG. 38 is a right side elevational view thereof;

FIG. 39 is a top plan view thereof;

FIG. 40 is a bottom plan view thereof;

FIG. 41 is a perspective view of a sixth embodiment of the lamp showing my new design;

FIG. 42 is another perspective view thereof;

(Continued)

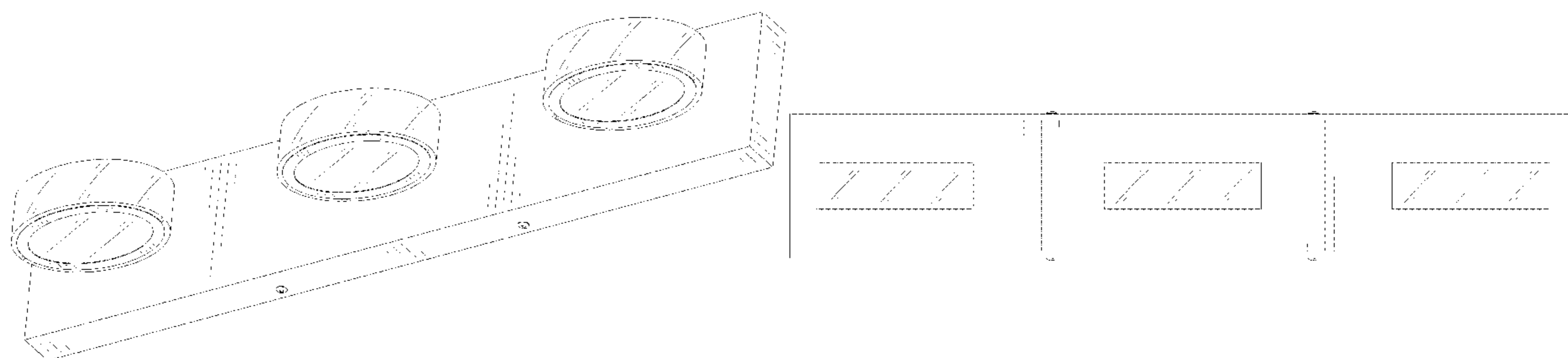


FIG. 43 is a front elevational view thereof;
 FIG. 44 is a rear elevational view thereof;
 FIG. 45 is a left side elevational view thereof;
 FIG. 46 is a right side elevational view thereof;
 FIG. 47 is a top plan view thereof;
 FIG. 48 is a bottom plan view thereof;
 FIG. 49 is a perspective view of a seventh embodiment of the lamp showing my new design;
 FIG. 50 is another perspective view thereof;
 FIG. 51 is a front elevational view thereof;
 FIG. 52 is a rear elevational view thereof;
 FIG. 53 is a left side elevational view thereof;
 FIG. 54 is a right side elevational view thereof;
 FIG. 55 is a top plan view thereof;
 FIG. 56 is a bottom plan view thereof;
 FIG. 57 is a perspective view of a eighth embodiment of the lamp showing my new design;
 FIG. 58 is another perspective view thereof;
 FIG. 59 is a front elevational view thereof;
 FIG. 60 is a rear elevational view thereof;
 FIG. 61 is a left side elevational view thereof;
 FIG. 62 is a right side elevational view thereof;
 FIG. 63 is a top plan view thereof; and,
 FIG. 64 is a bottom plan view thereof.
 The broken lines in the drawings depict portions of the lamp that form no part of the claimed design.

1 Claim, 64 Drawing Sheets

(58) **Field of Classification Search**

CPC F21S 8/03; F21S 8/035; F21S 8/036; F21S 8/046

See application file for complete search history.

(56) **References Cited**

U.S. PATENT DOCUMENTS

D770,664	S	11/2016	Orozco	
D783,882	S *	4/2017	Dolan	D26/87
D802,200	S *	11/2017	Sonneman	D26/87
D813,437	S *	3/2018	Verelst	D26/72
D816,881	S *	5/2018	Qiao	D26/86
D869,730	S *	12/2019	Lin	D26/80
D879,353	S *	3/2020	Lin	D26/87
D887,617	S *	6/2020	Wang	D26/87
D888,316	S	6/2020	Huang	
D898,269	S *	10/2020	Huang	D26/86
D907,275	S *	1/2021	Chen	D26/86
D908,945	S *	1/2021	Zheng	D26/86

OTHER PUBLICATIONS

Oowolf LED Bathroom Vanity Lights, ASIN: B083DMJBZL available at amazon.com Jan. 1, 2020. (Year: 2020).*

* cited by examiner

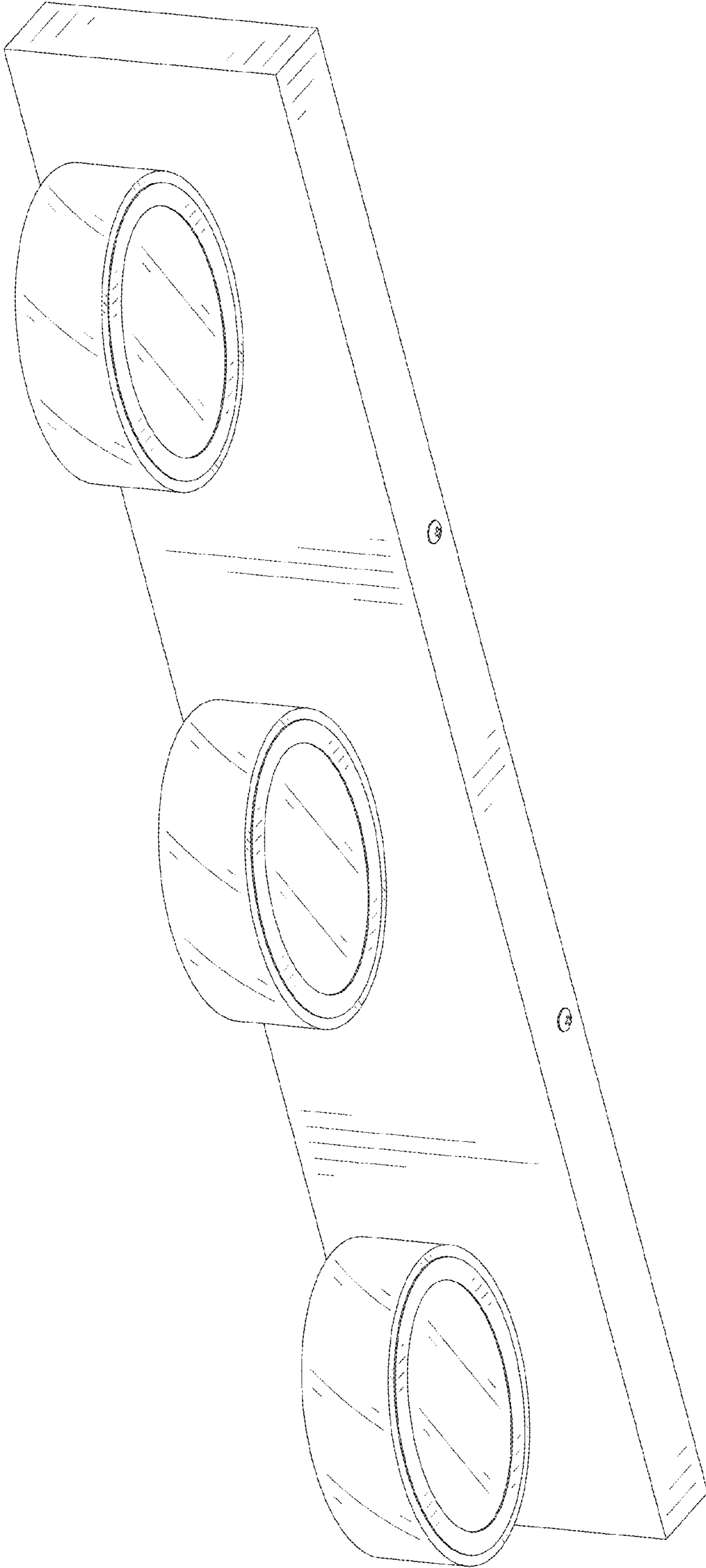


FIG. 1

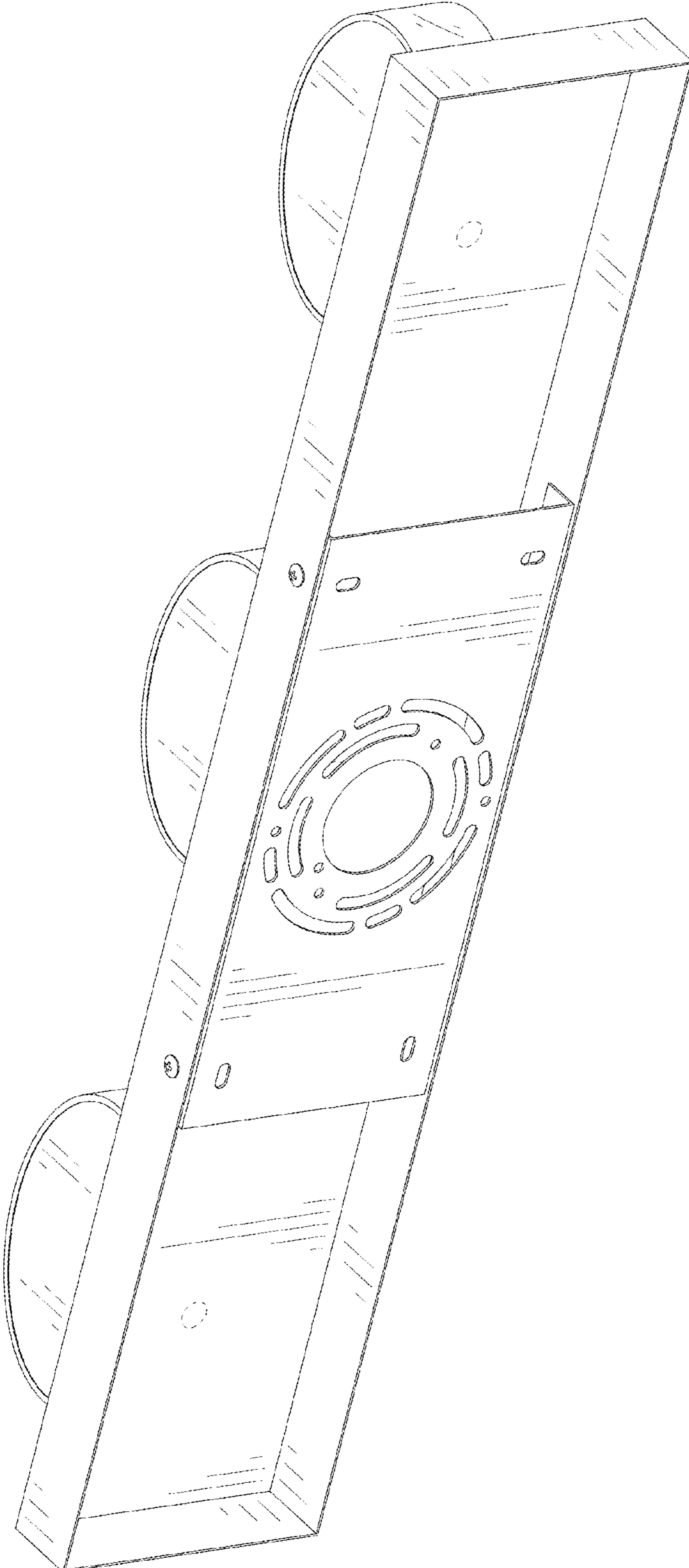


FIG. 2

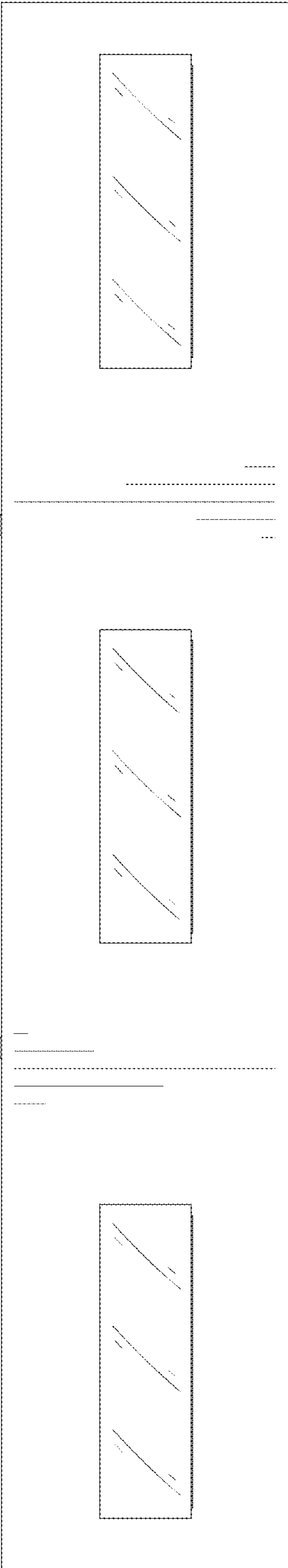


FIG. 3

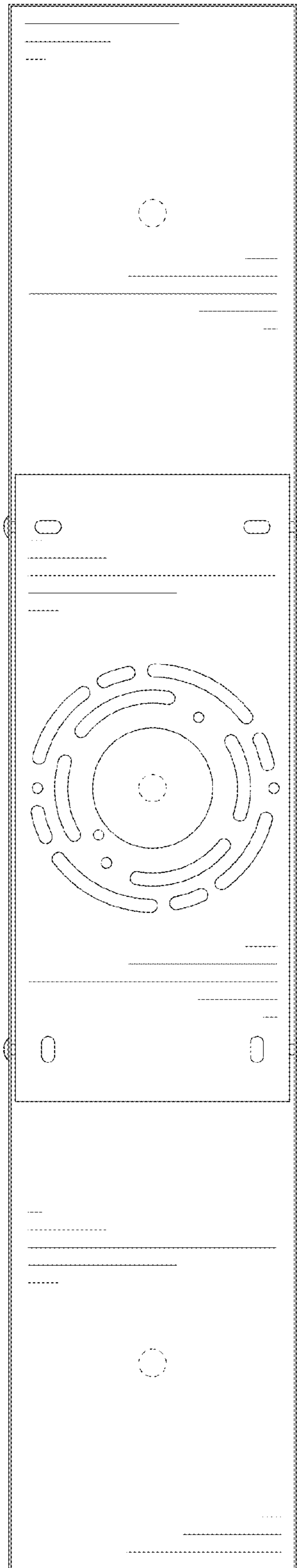


FIG. 4

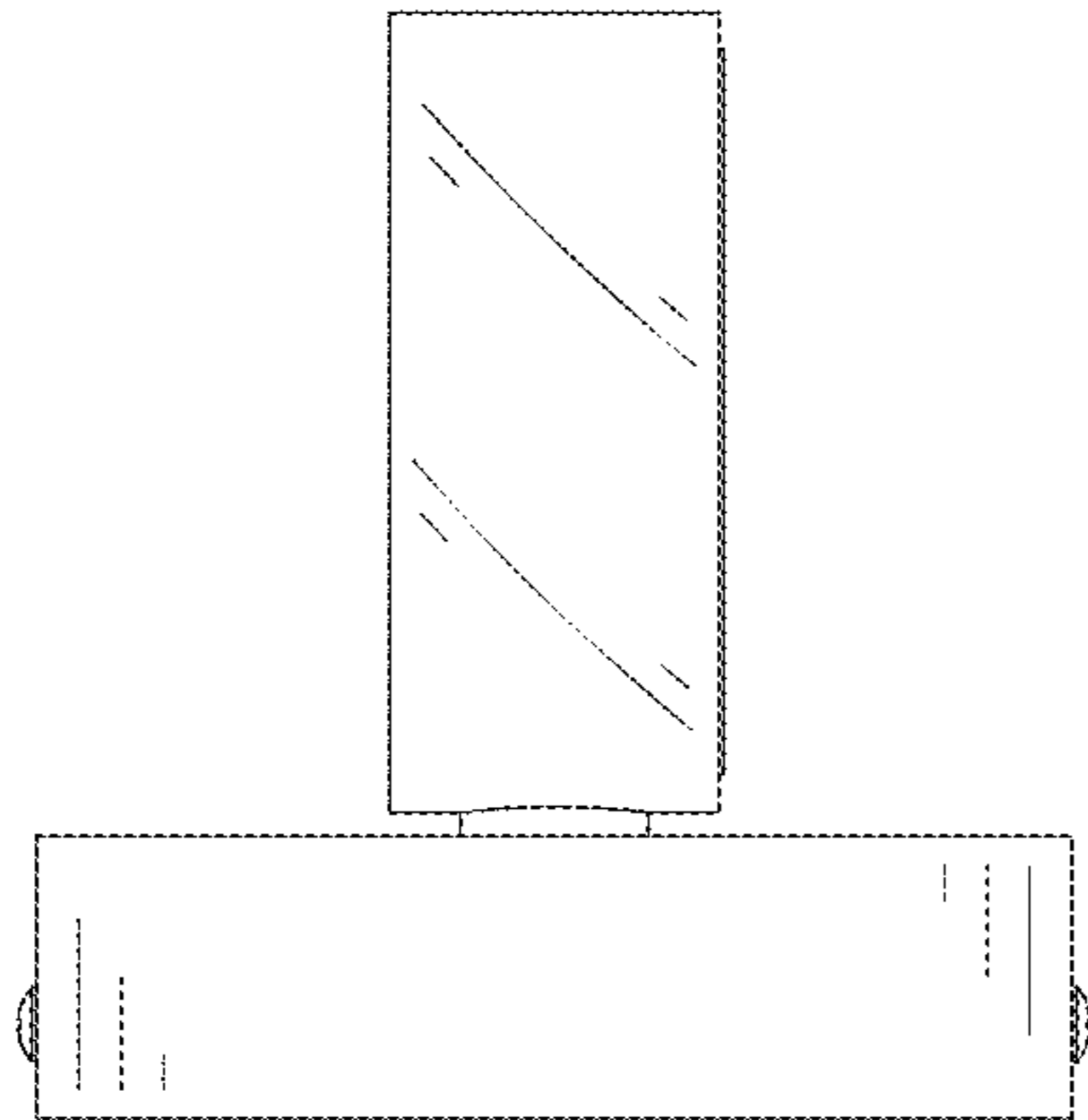


FIG. 5

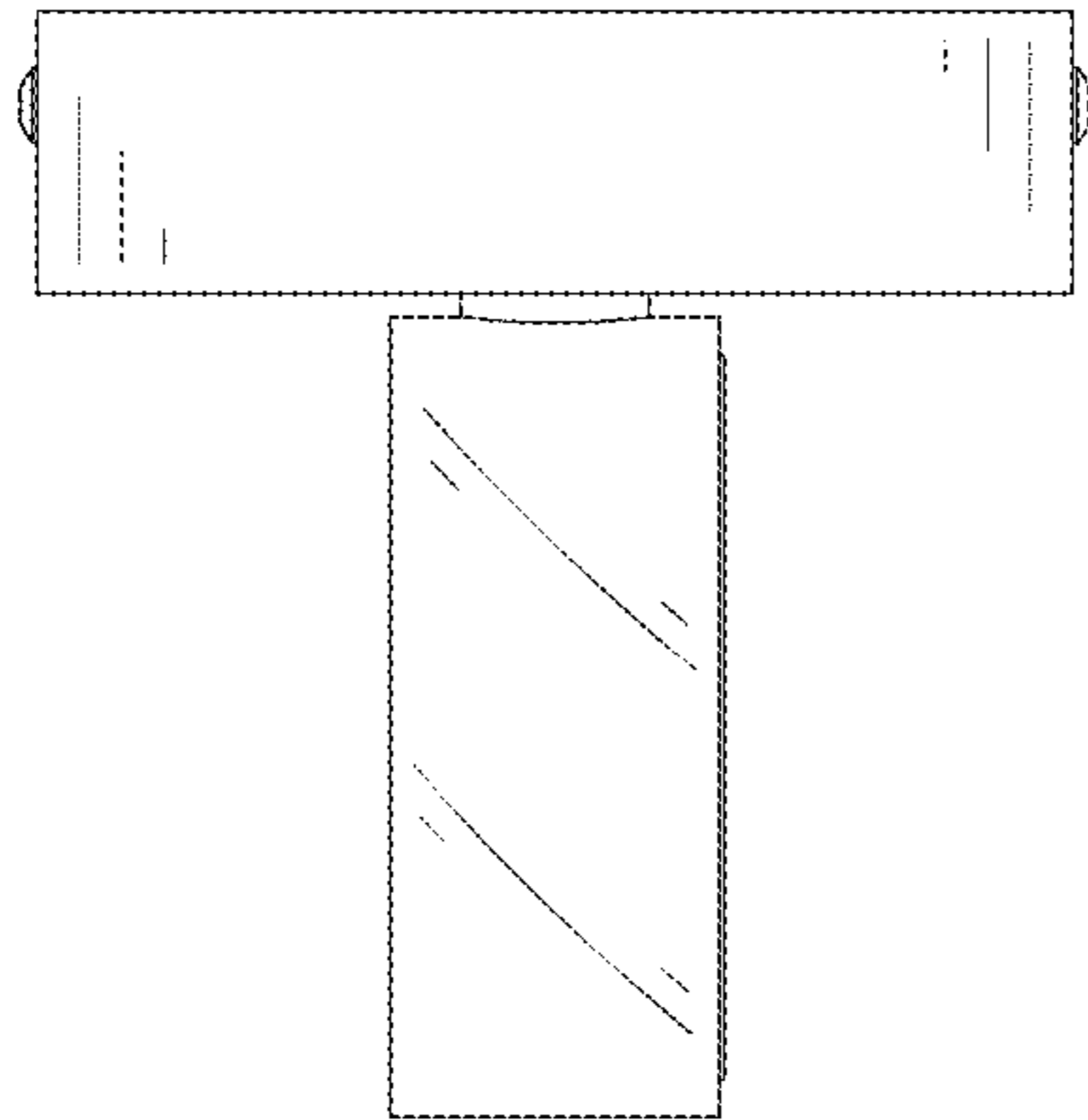


FIG. 6

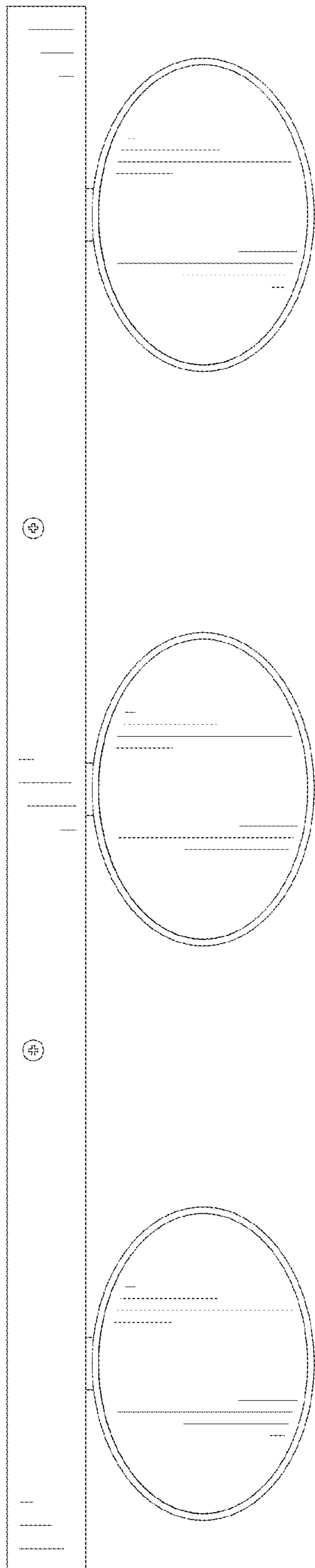


FIG. 7

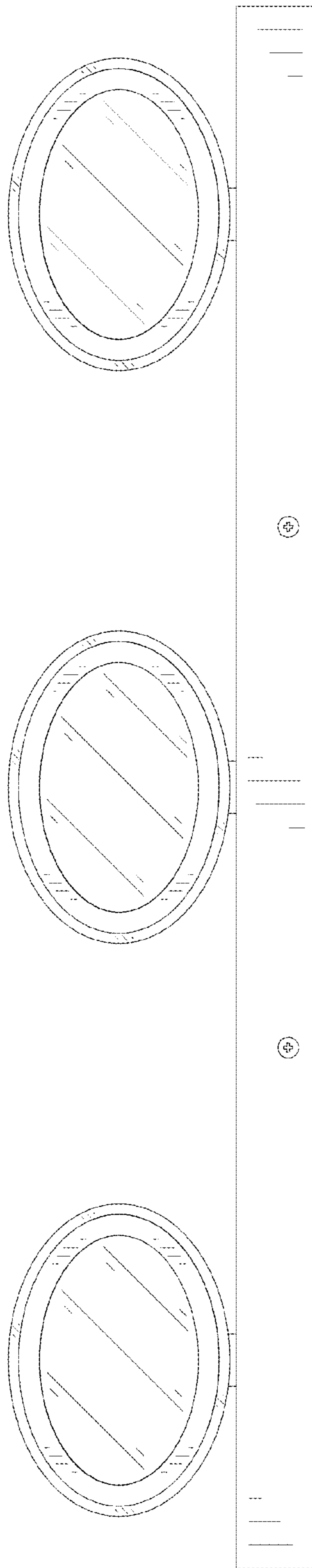


FIG. 8

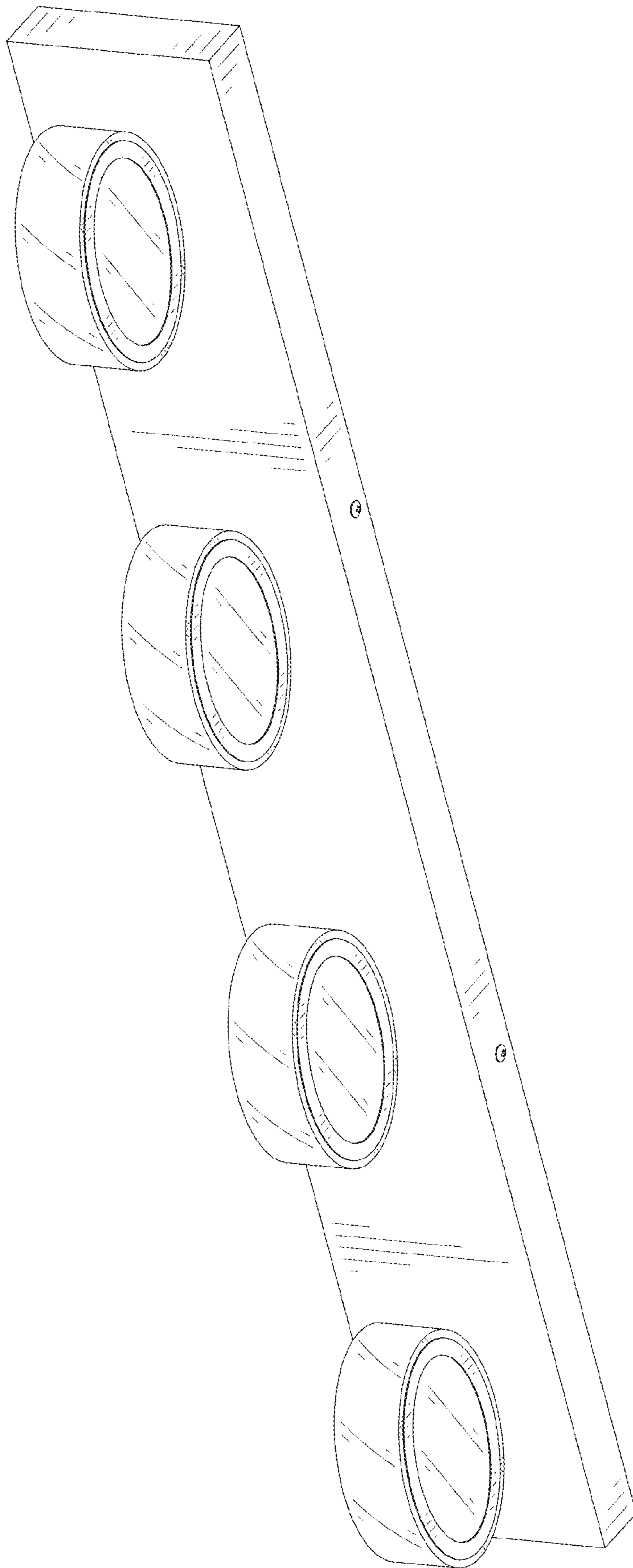


FIG. 9

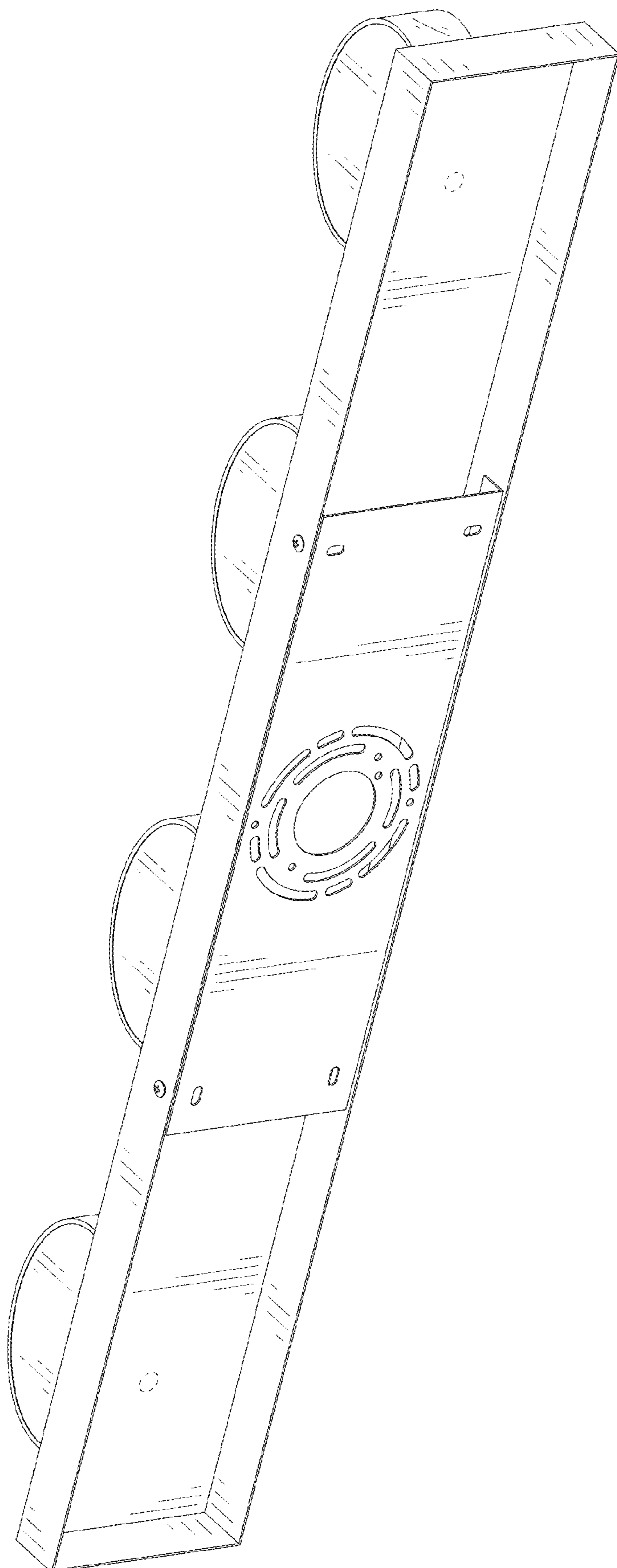


FIG. 10

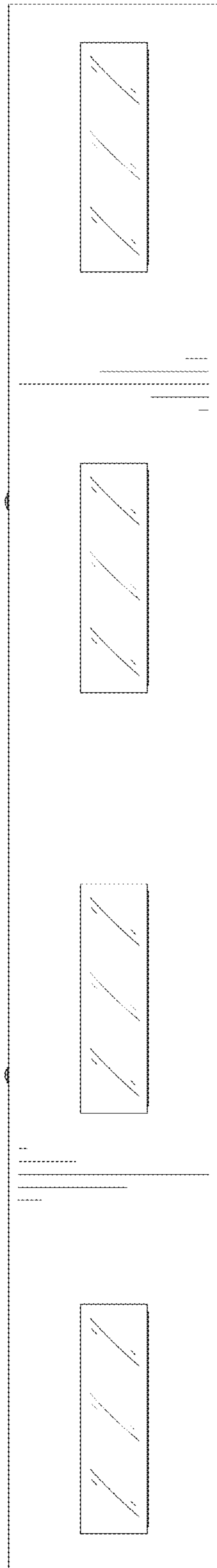


FIG. 11

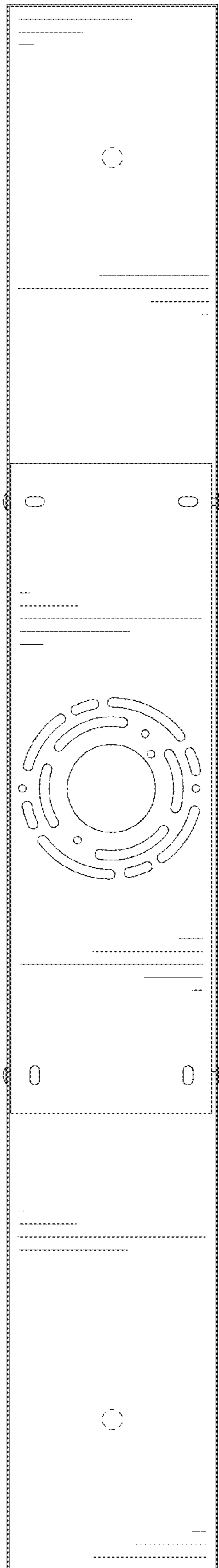


FIG. 12

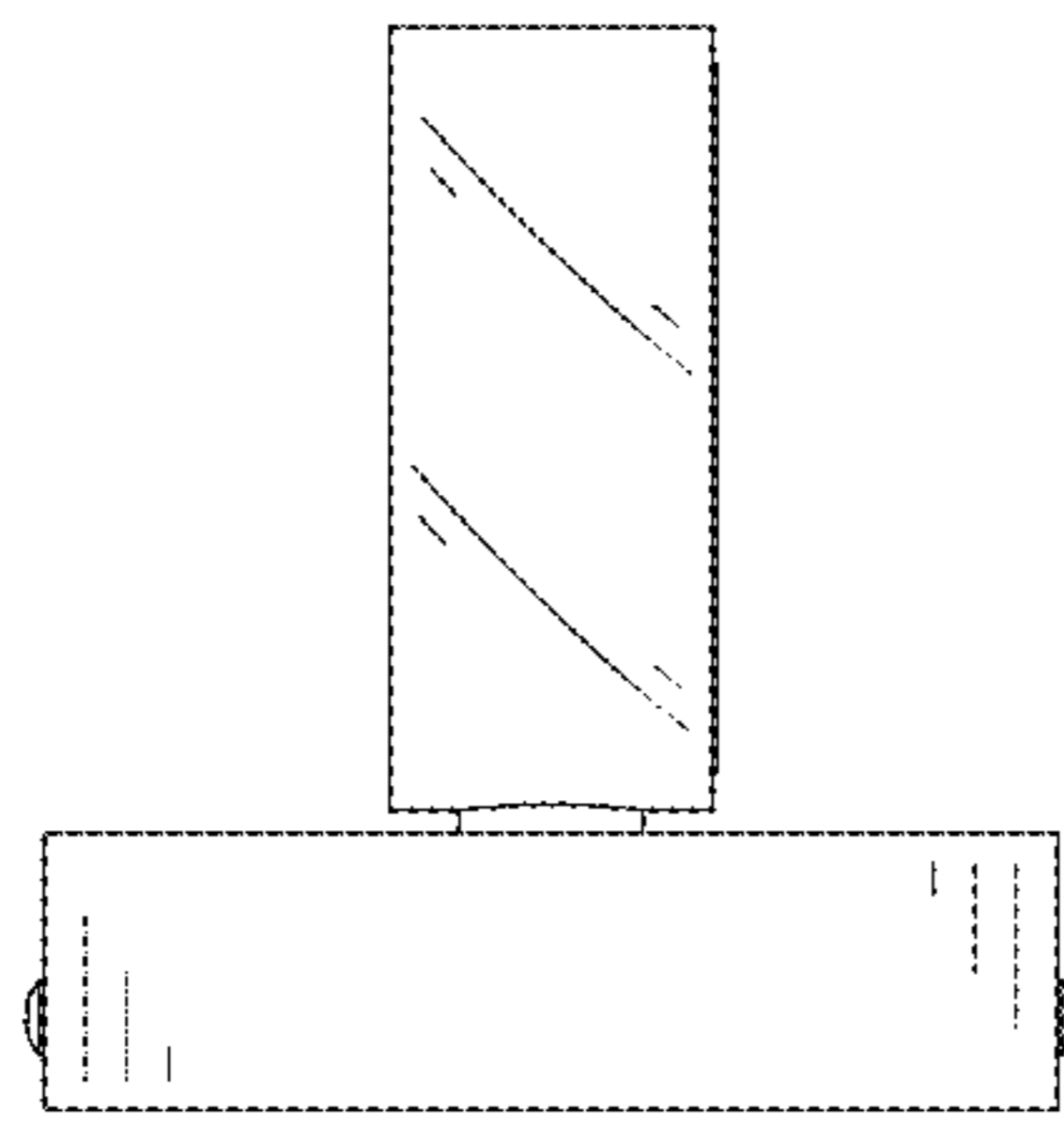


FIG. 13

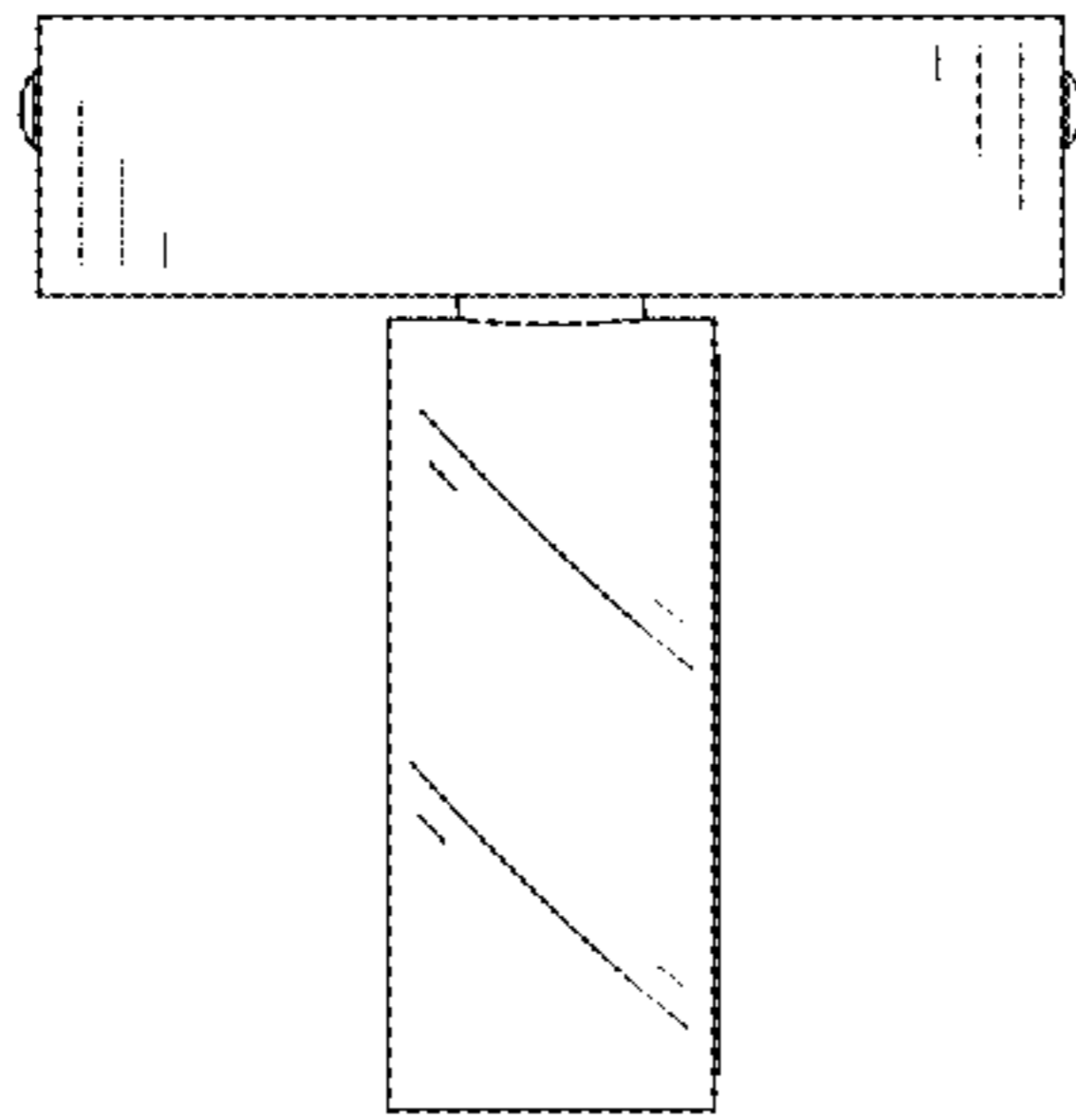


FIG. 14

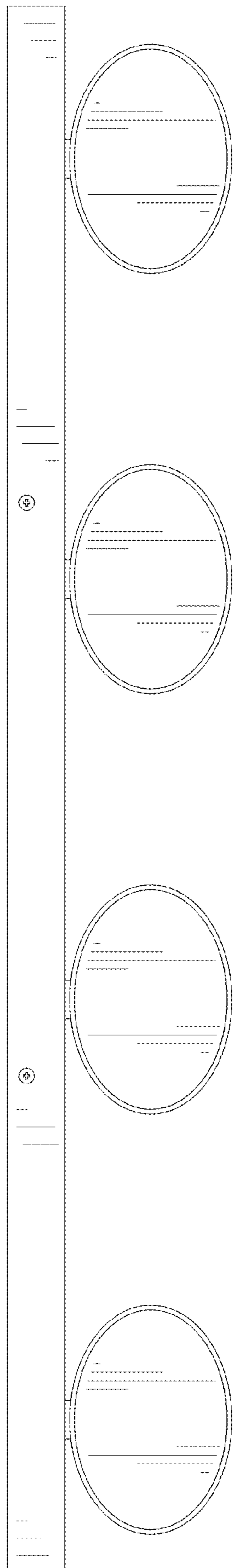


FIG. 15

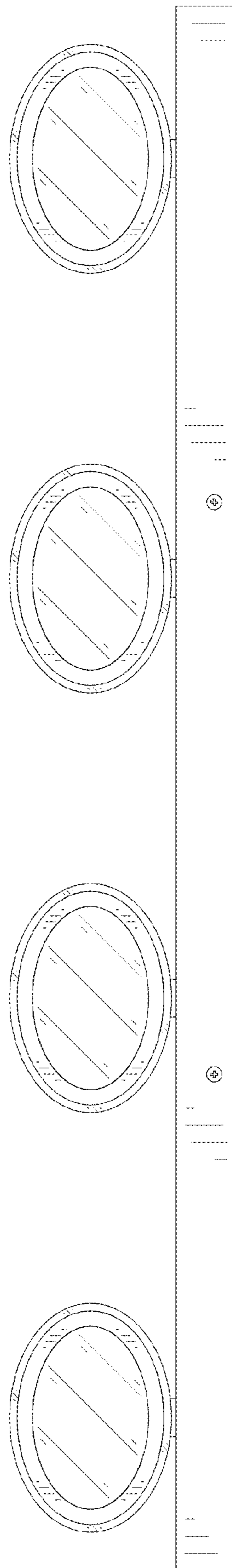


FIG. 16

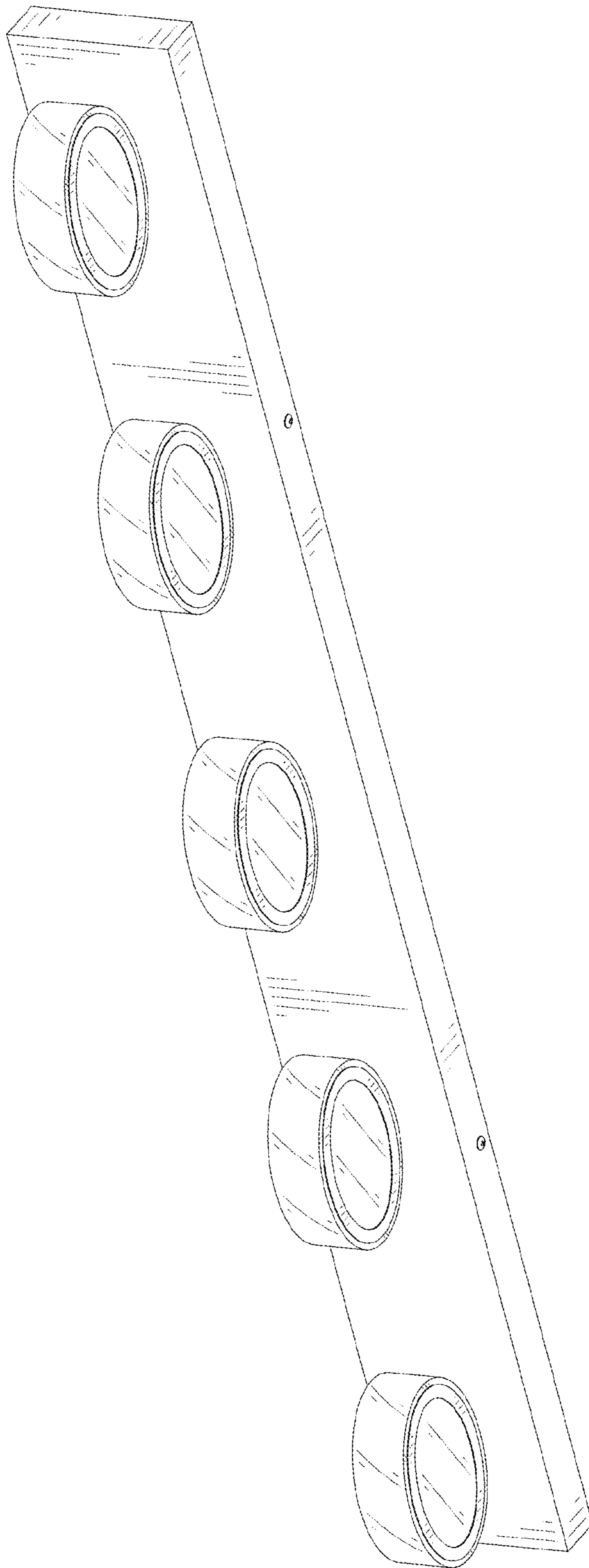


FIG. 17

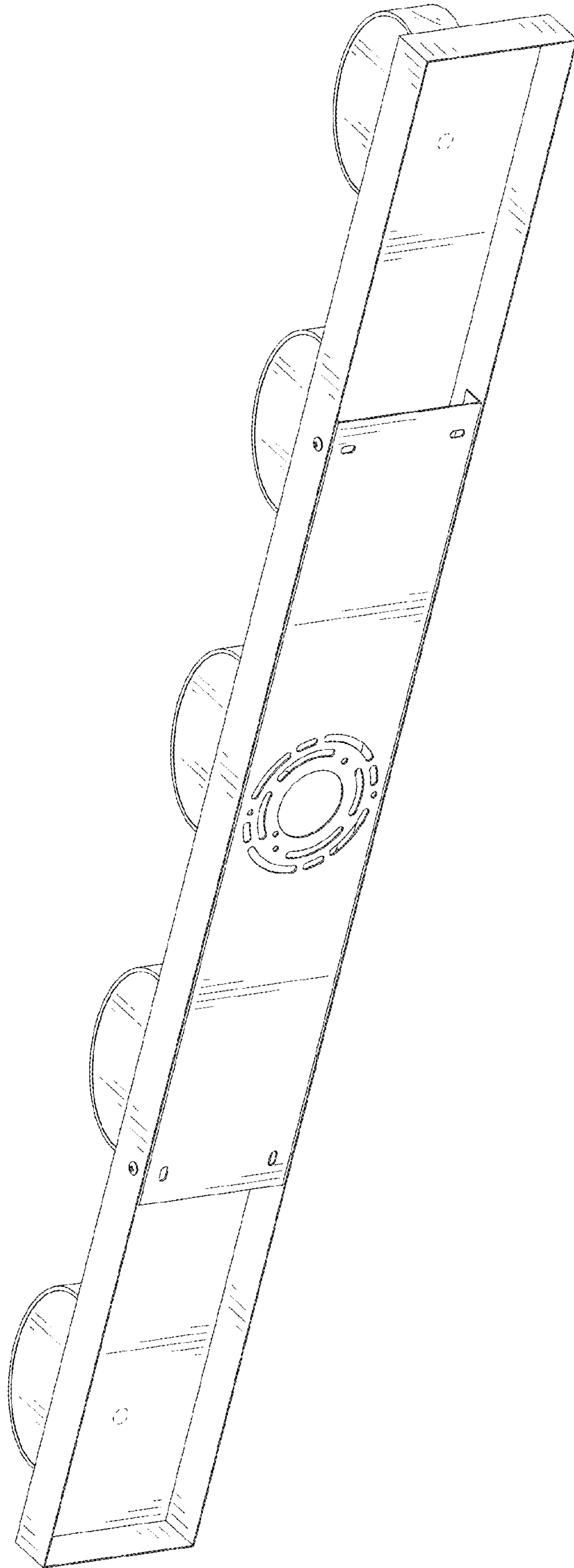


FIG. 18

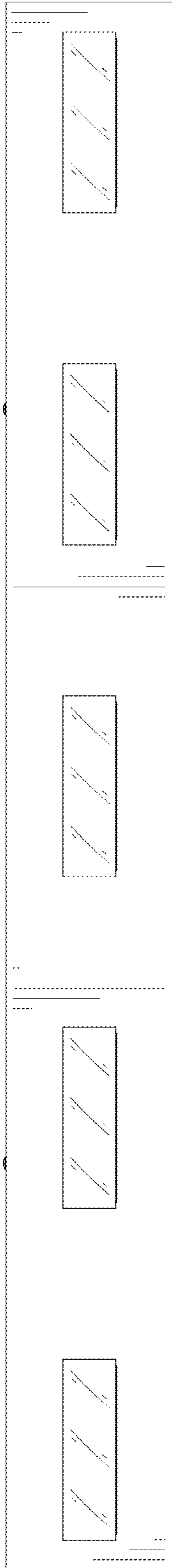


FIG. 19

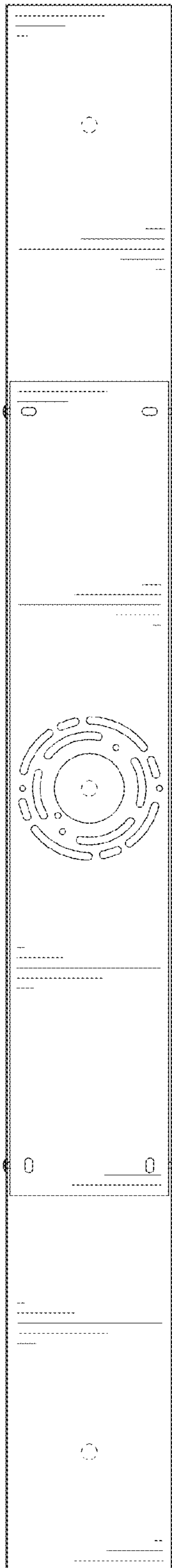


FIG. 20

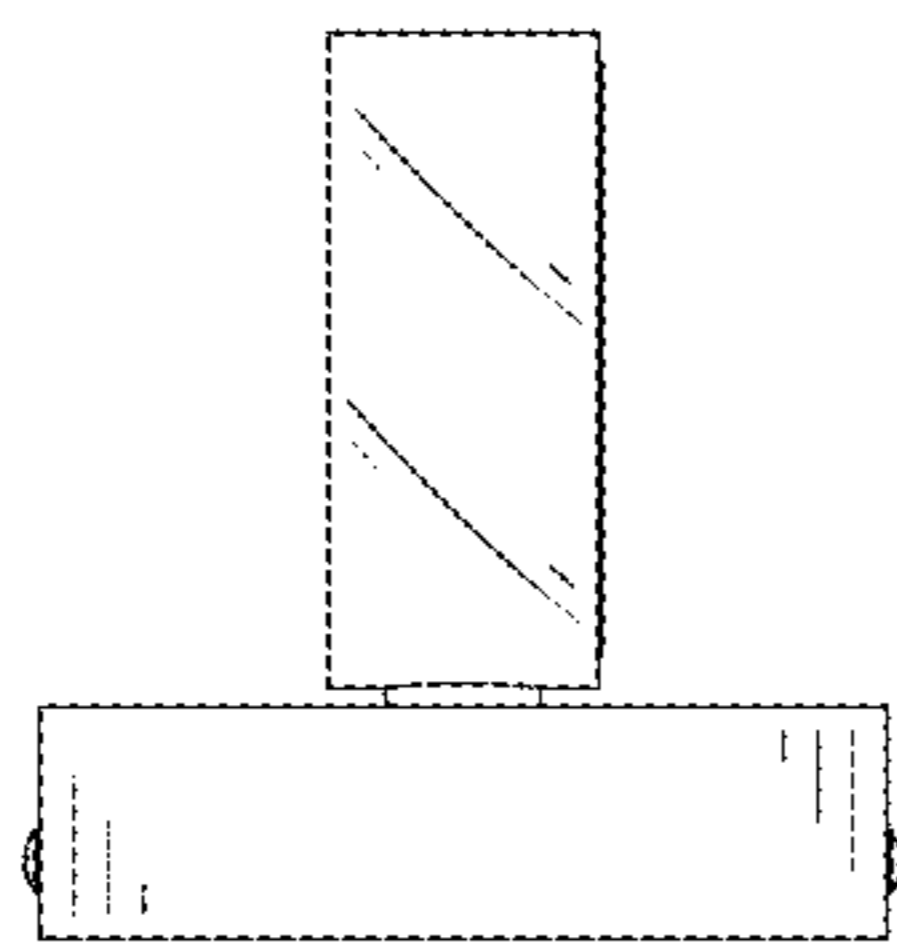


FIG. 21

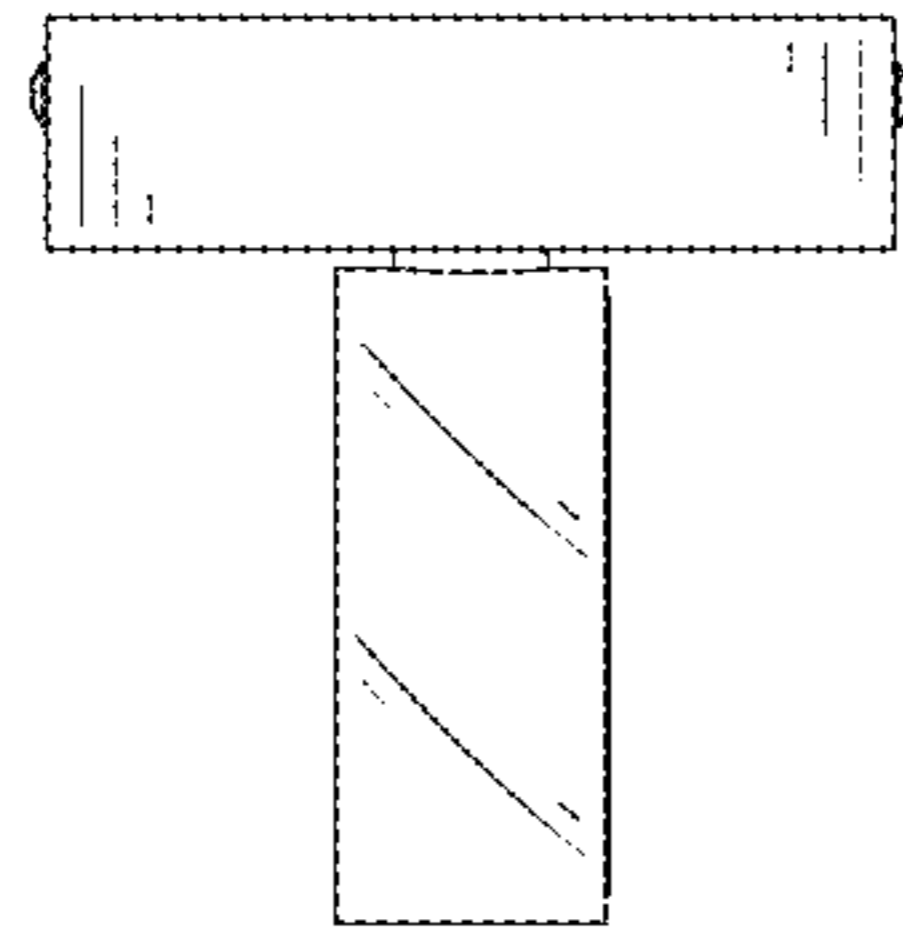


FIG. 22

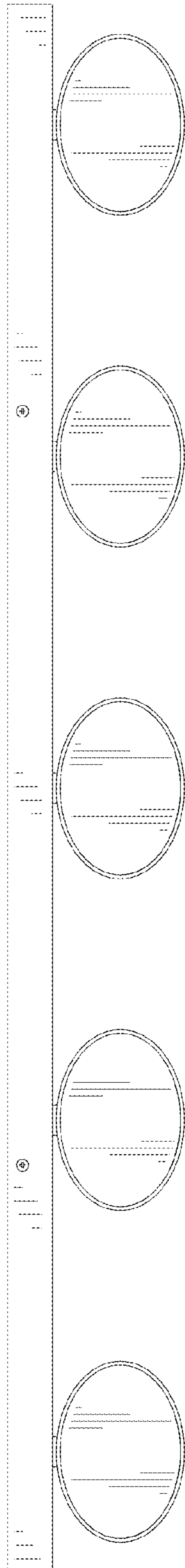


FIG. 23

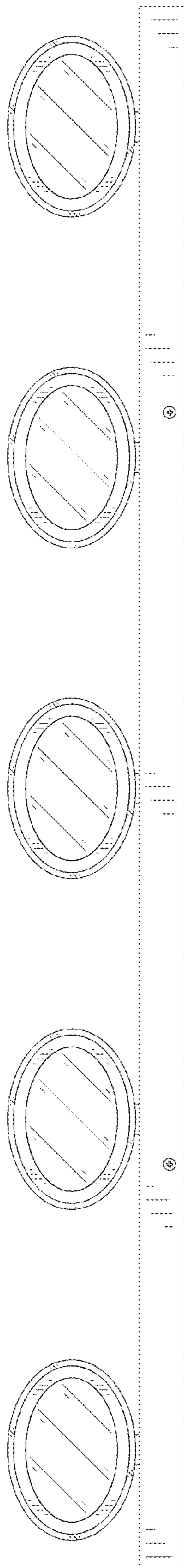


FIG. 24

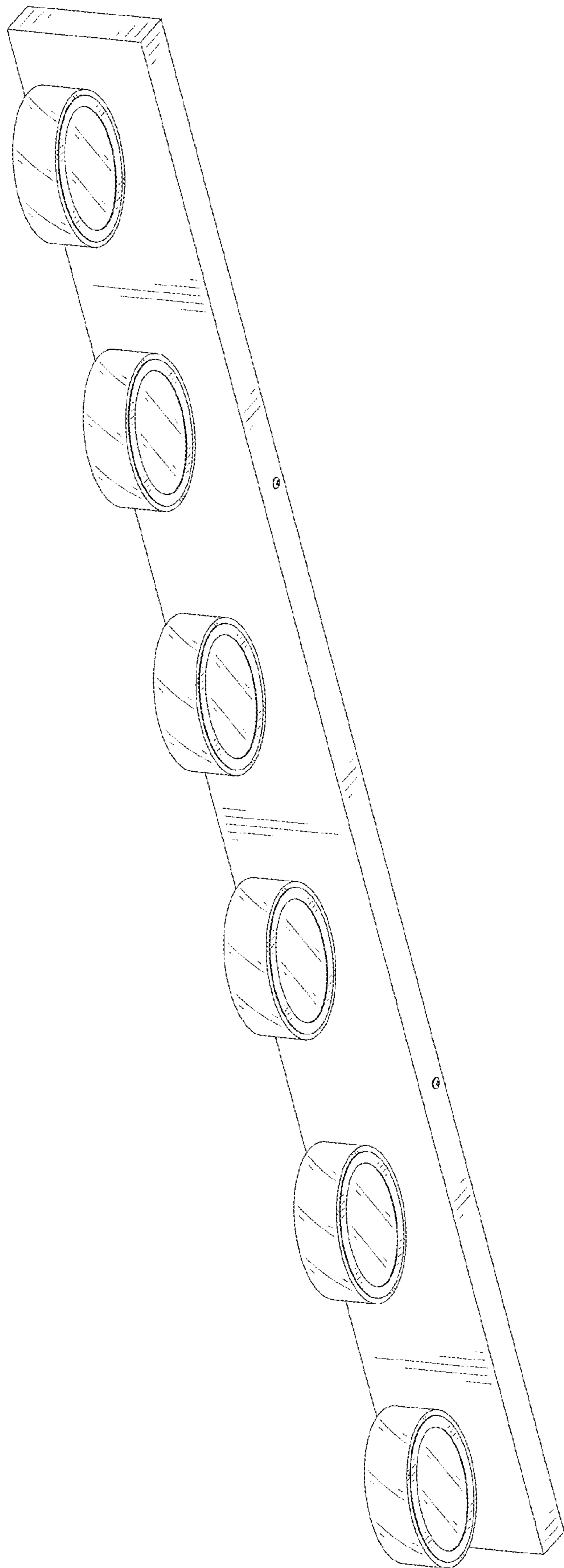


FIG. 25

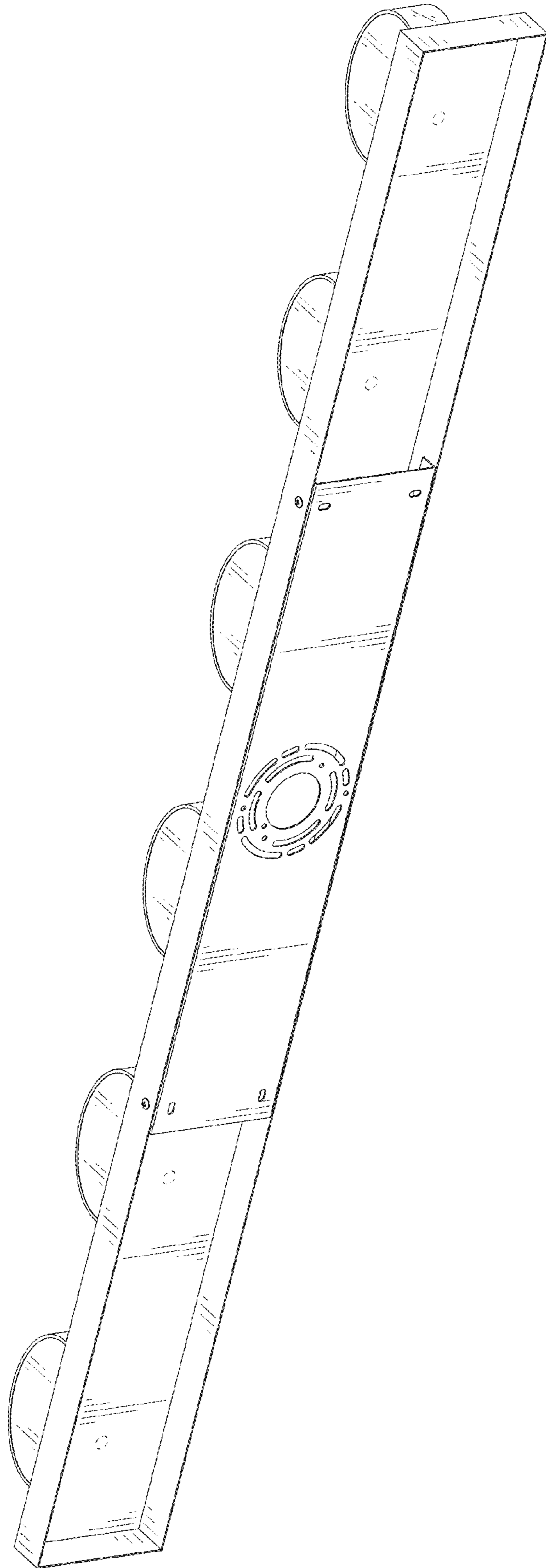


FIG. 26

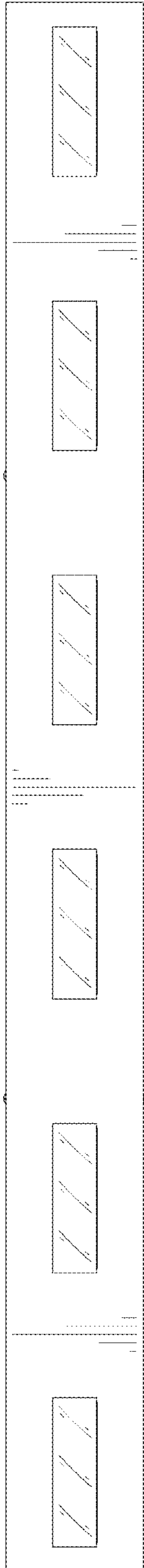


FIG. 27

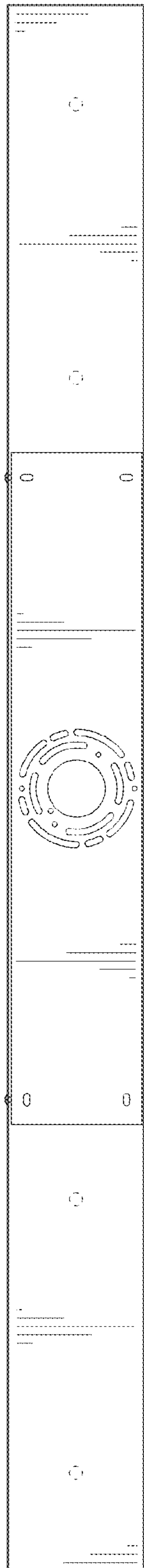


FIG. 28

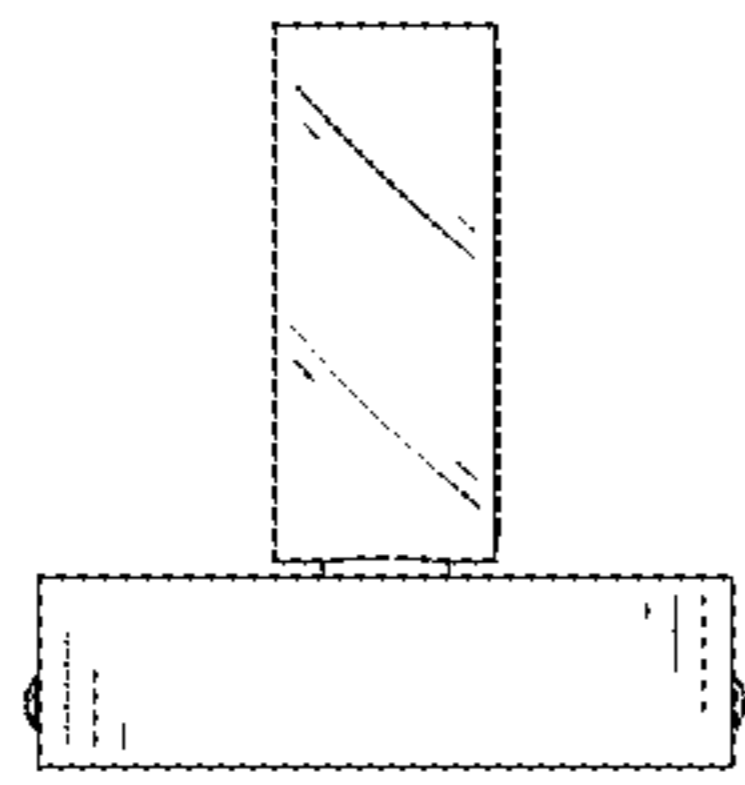


FIG. 29

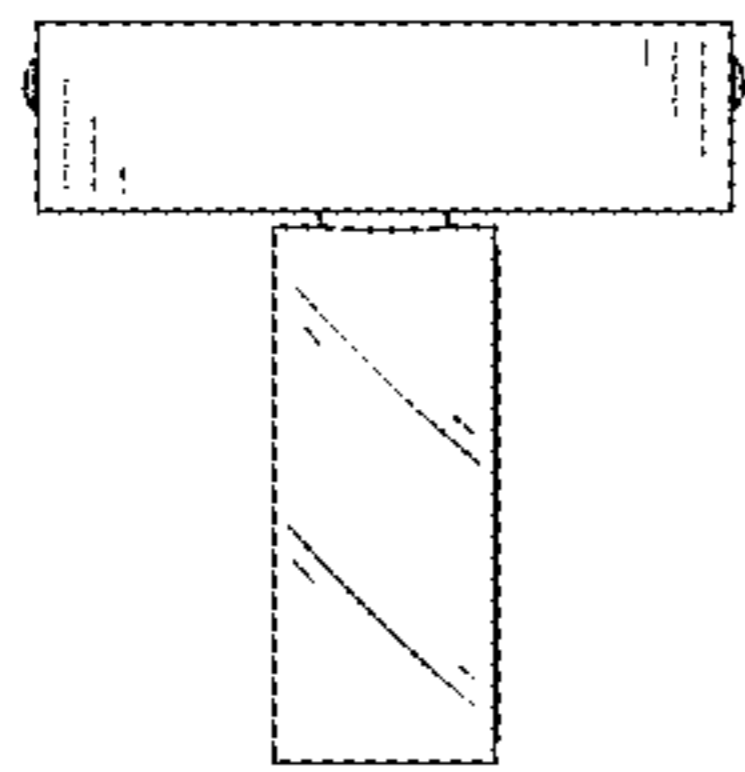


FIG. 30

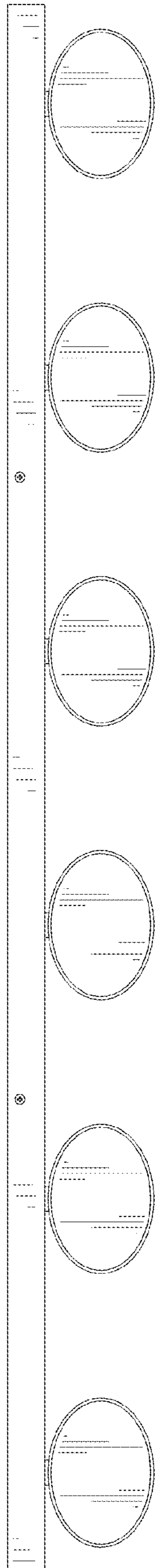


FIG. 31

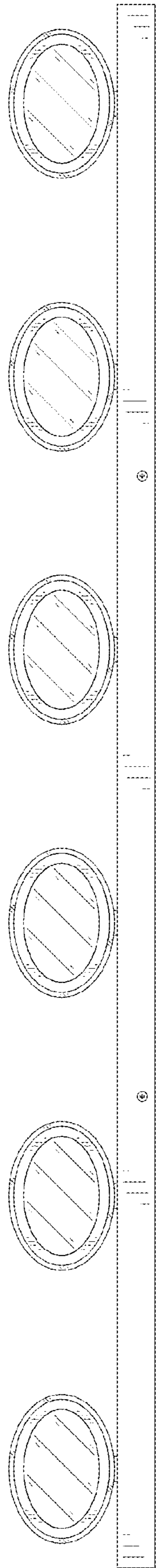


FIG. 32

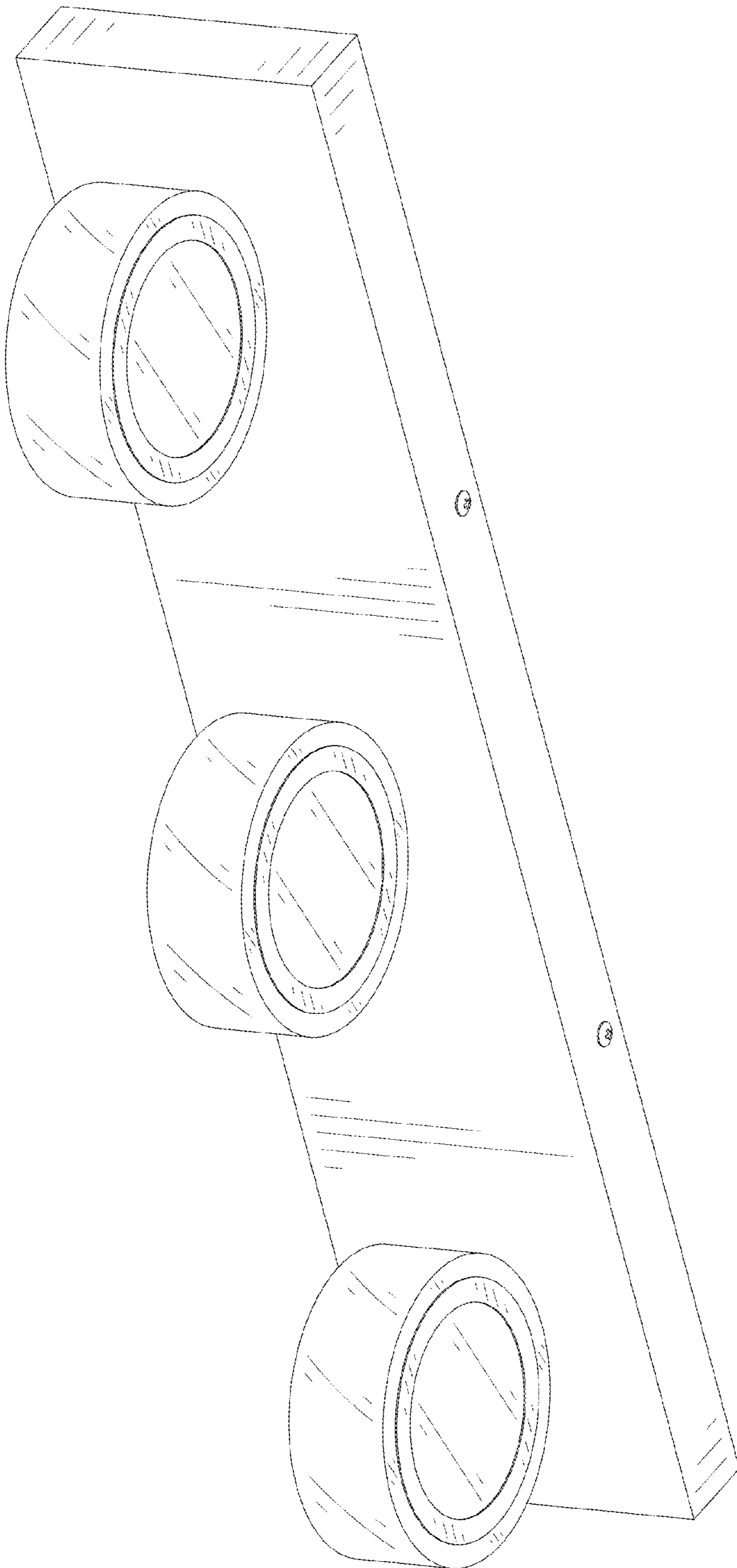


FIG. 33

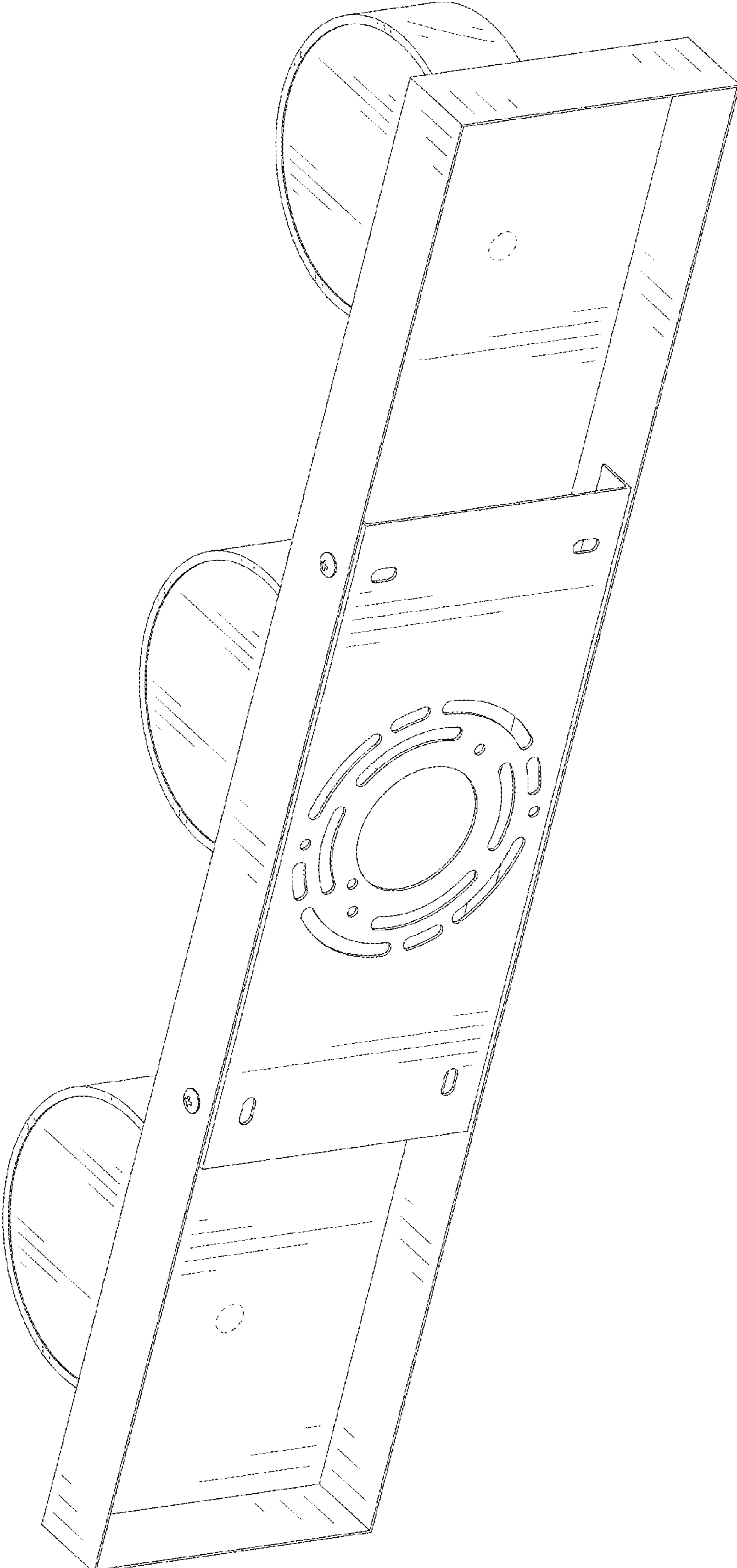


FIG. 34

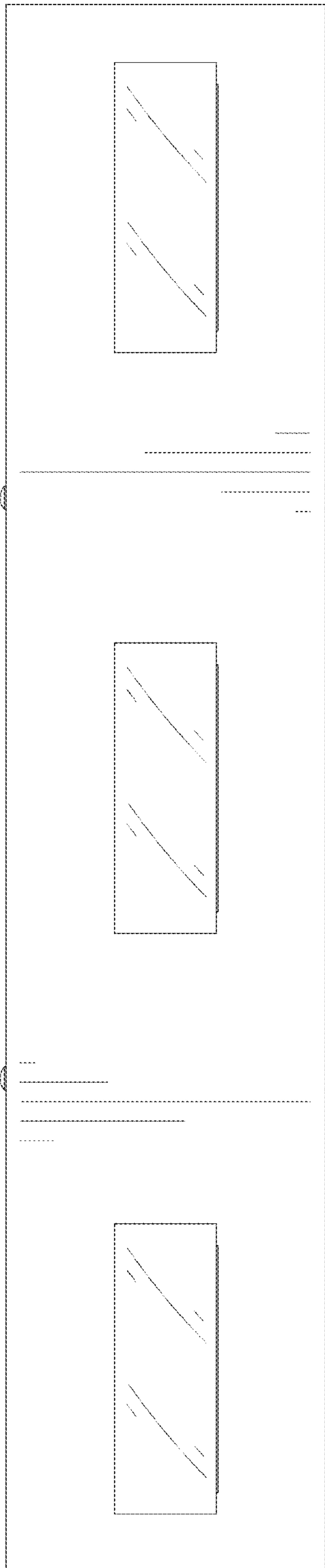


FIG. 35

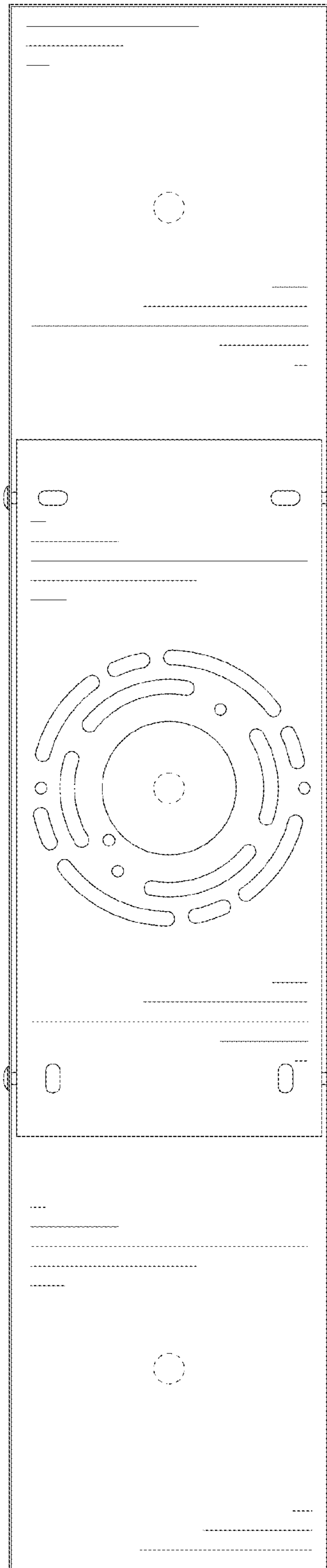


FIG. 36

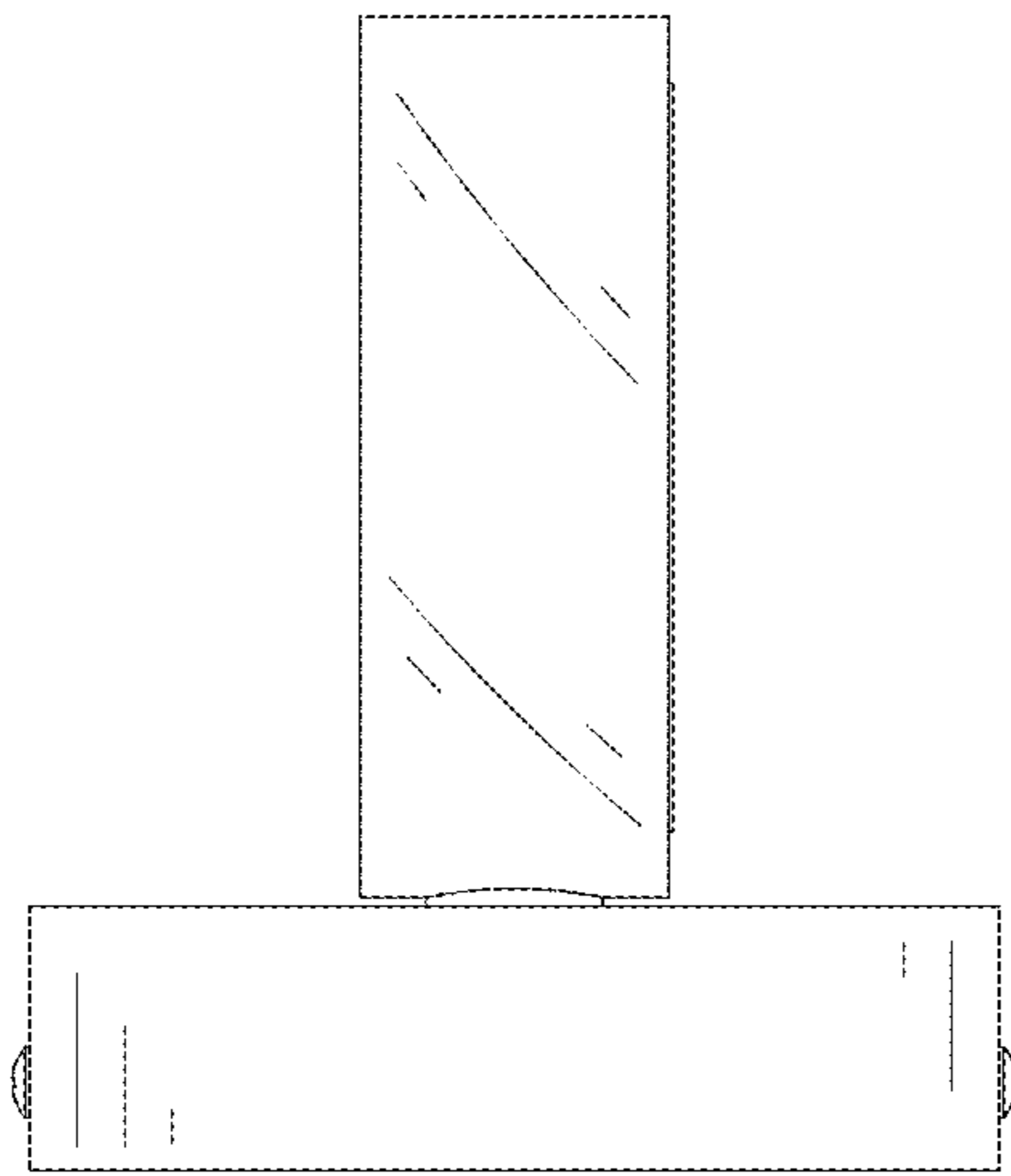


FIG. 37

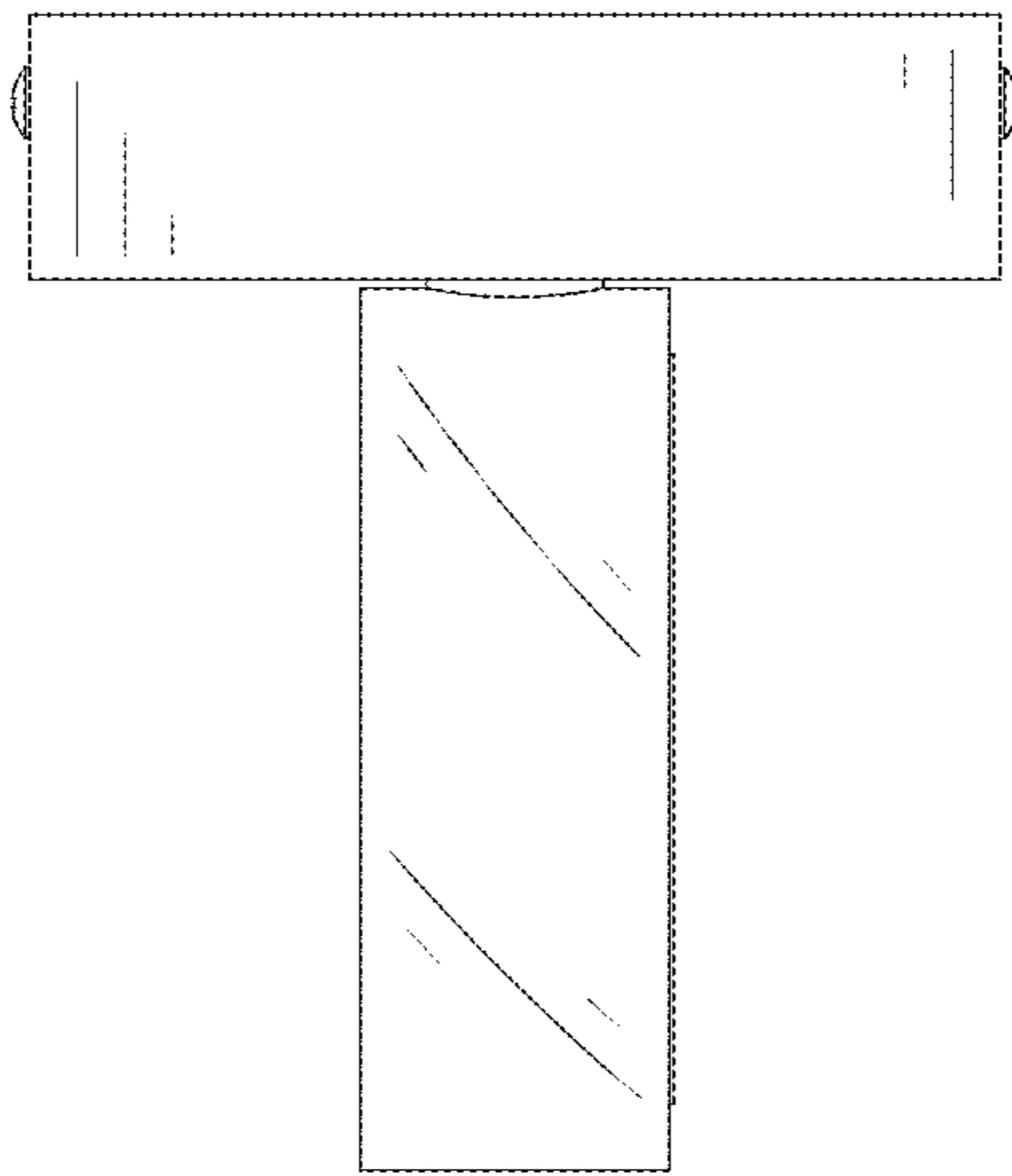


FIG. 38

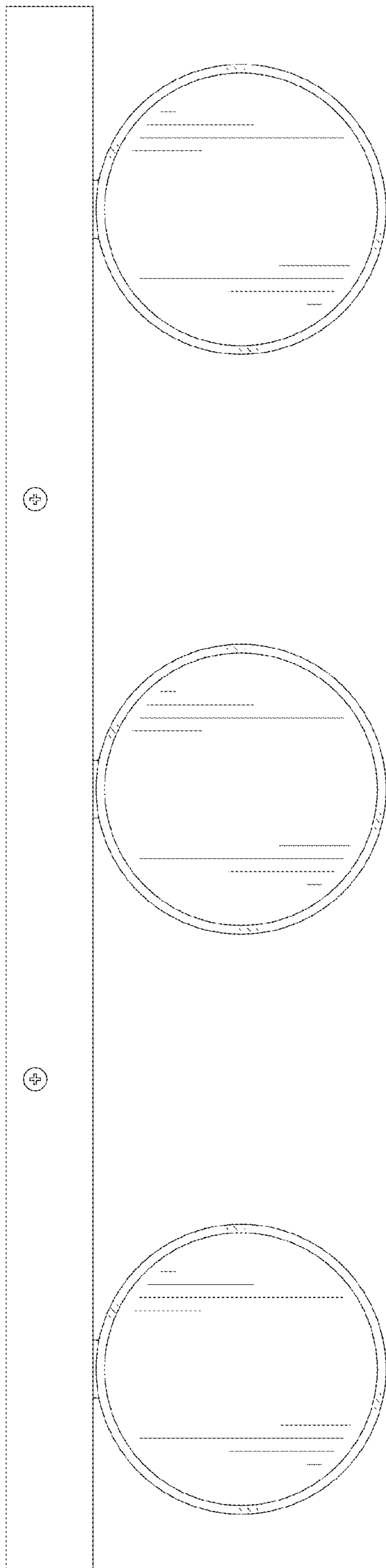


FIG. 39

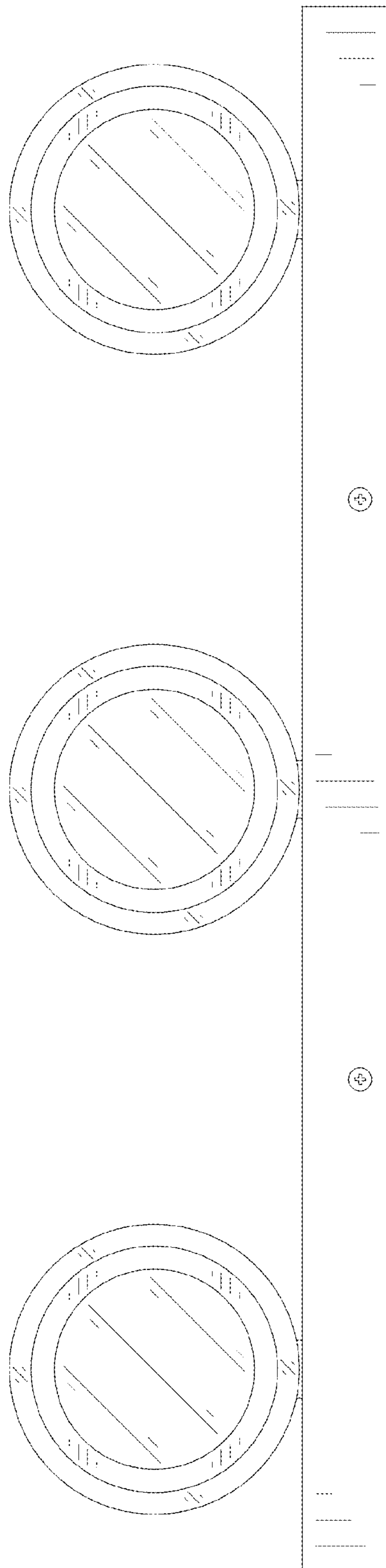


FIG. 40

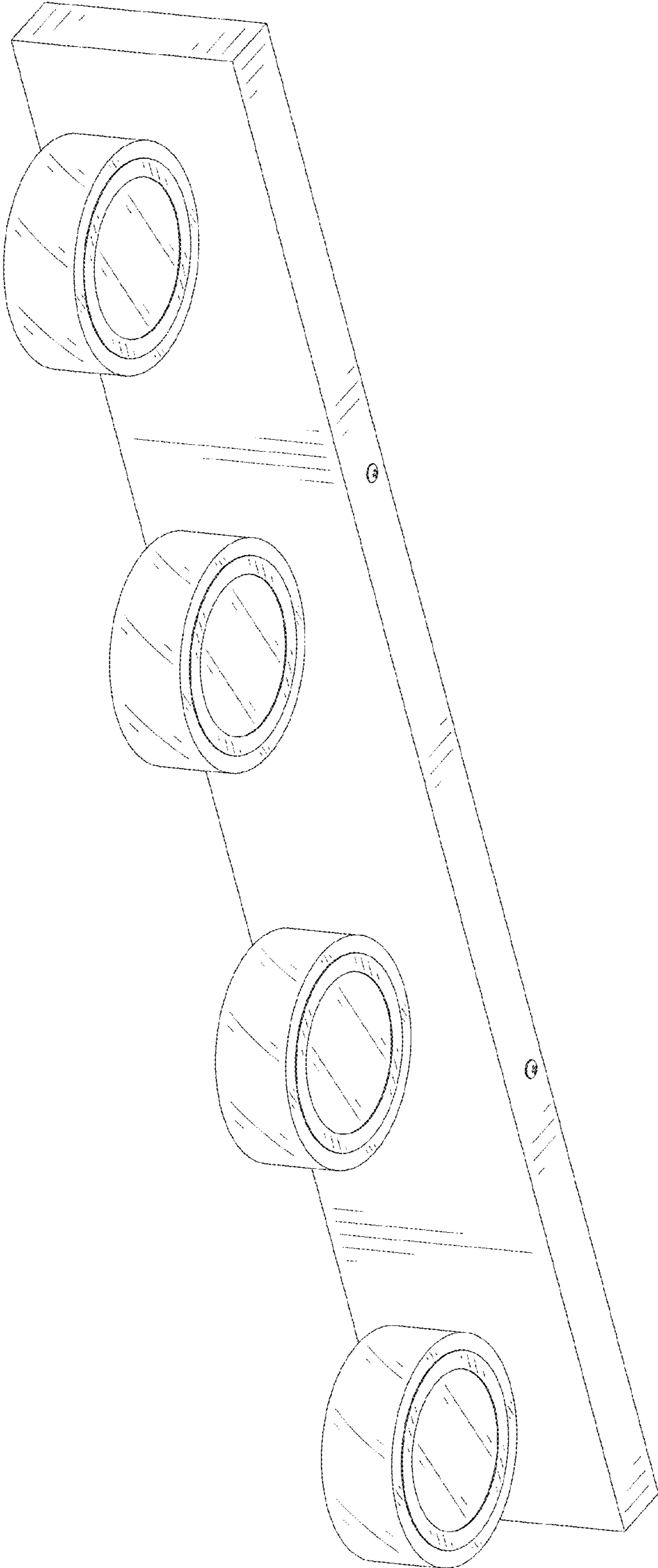


FIG. 41

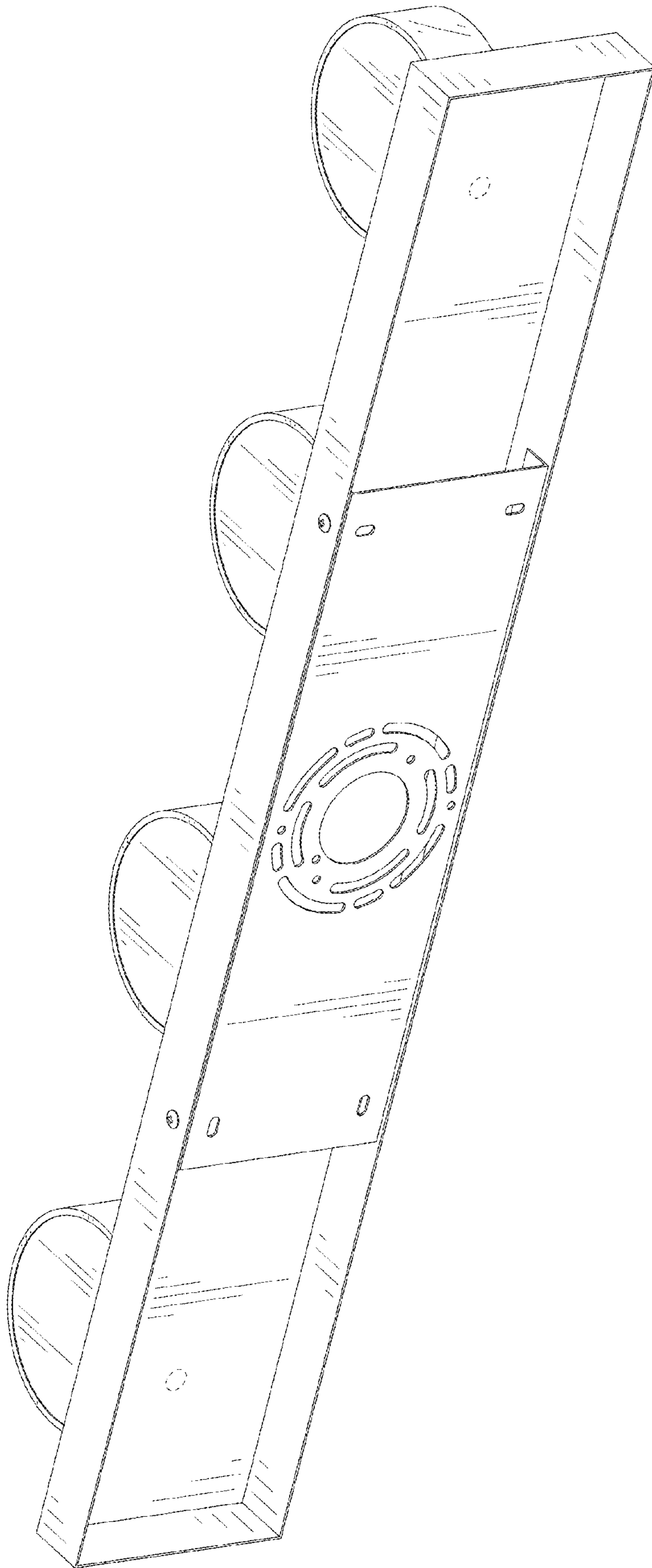


FIG. 42

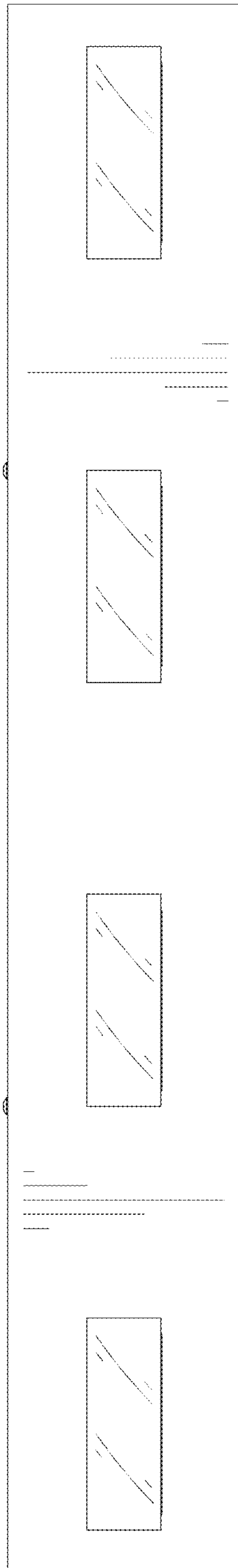


FIG. 43

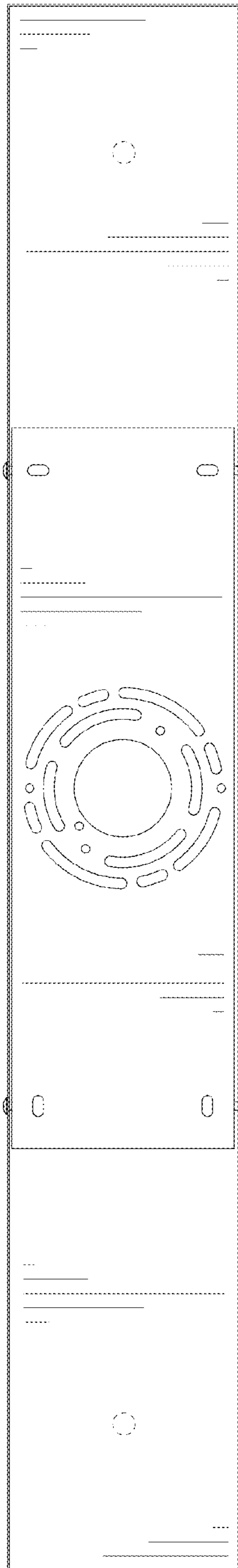


FIG. 44

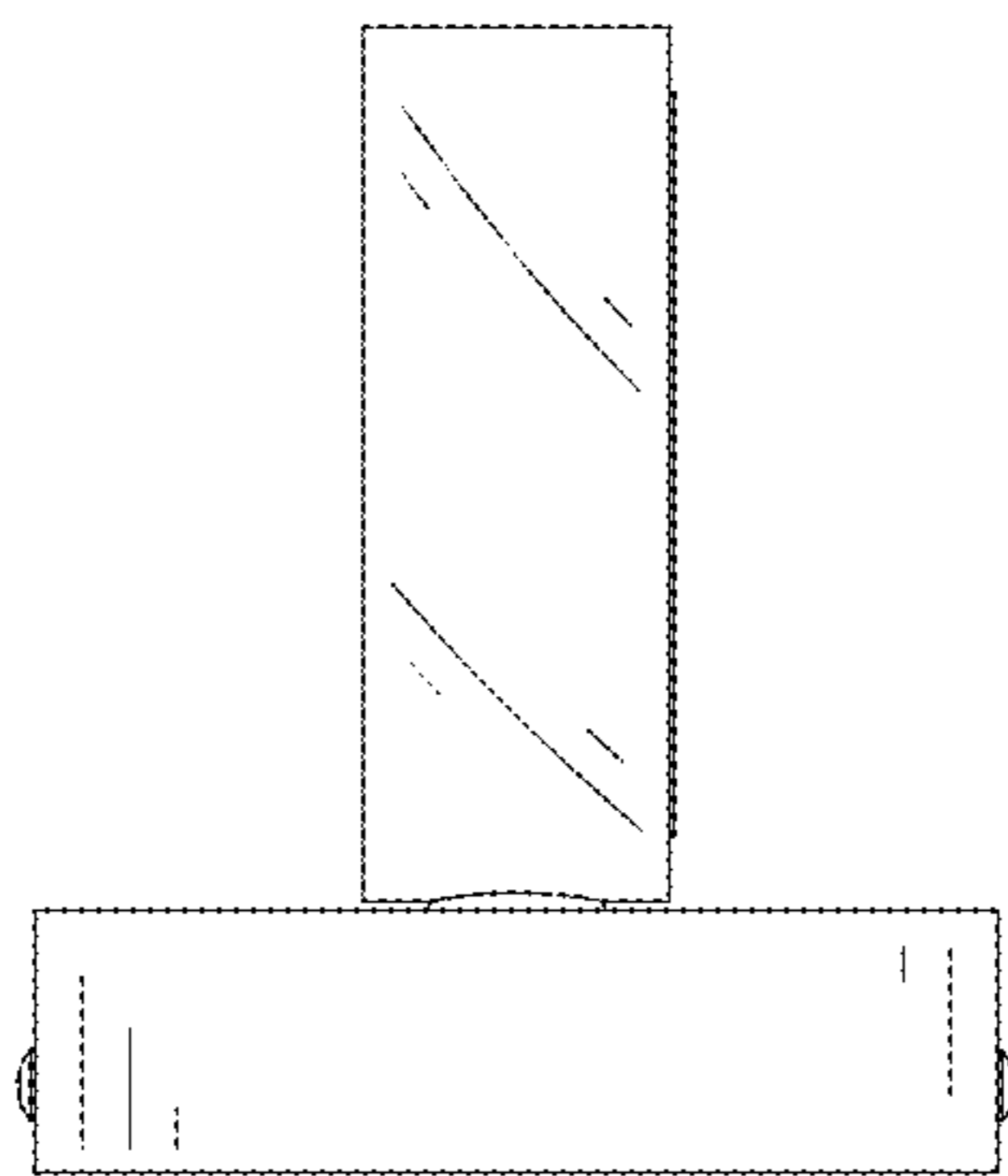


FIG. 45

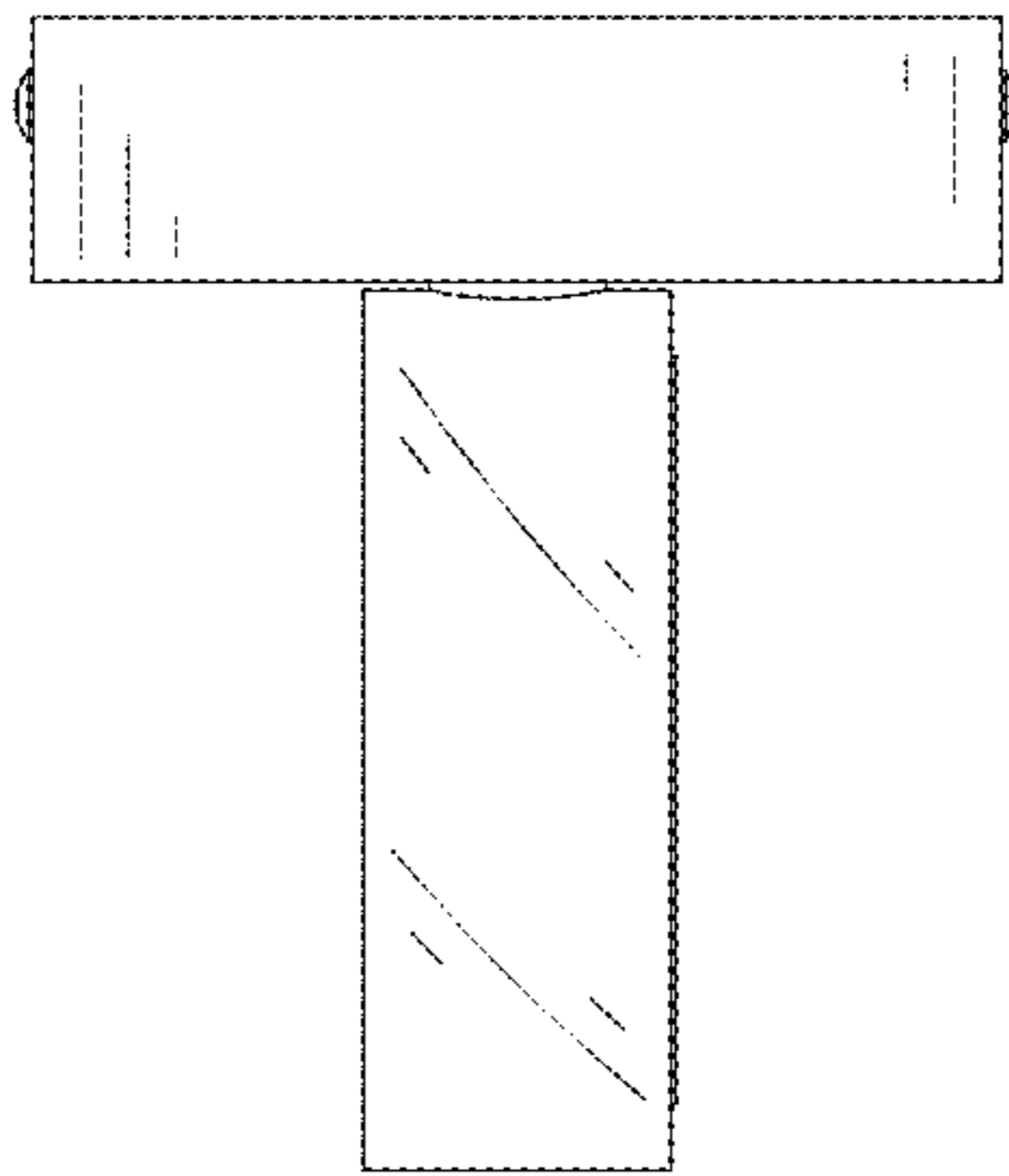


FIG. 46

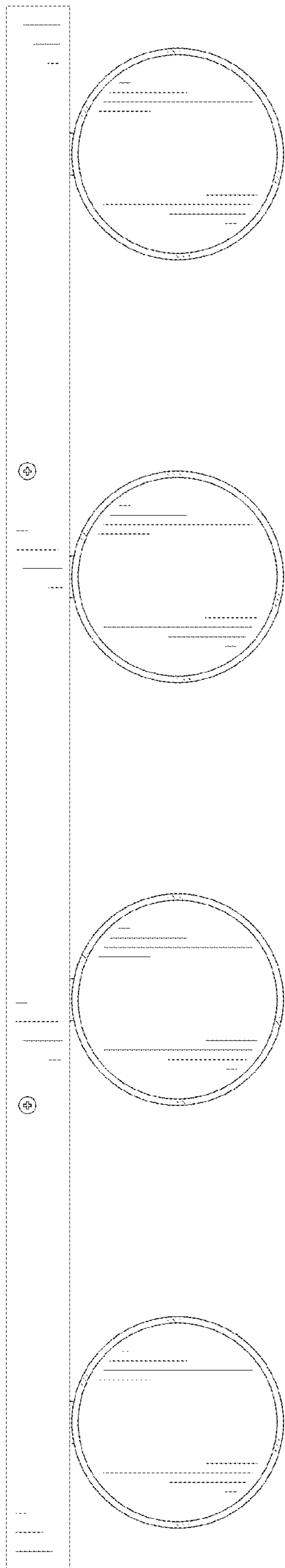


FIG. 47

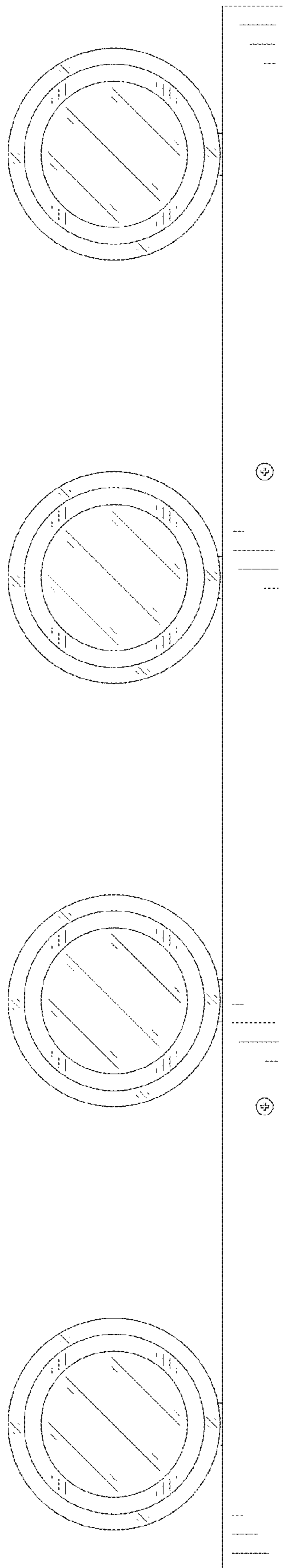


FIG. 48

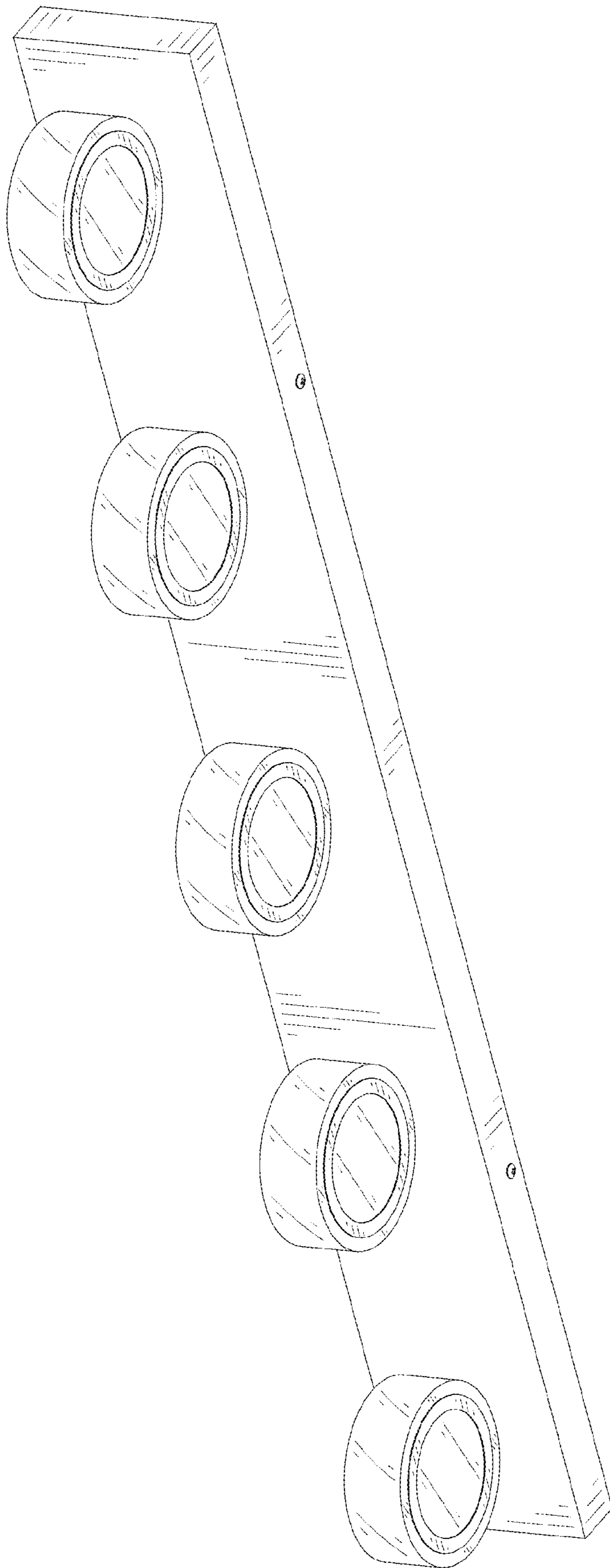


FIG. 49

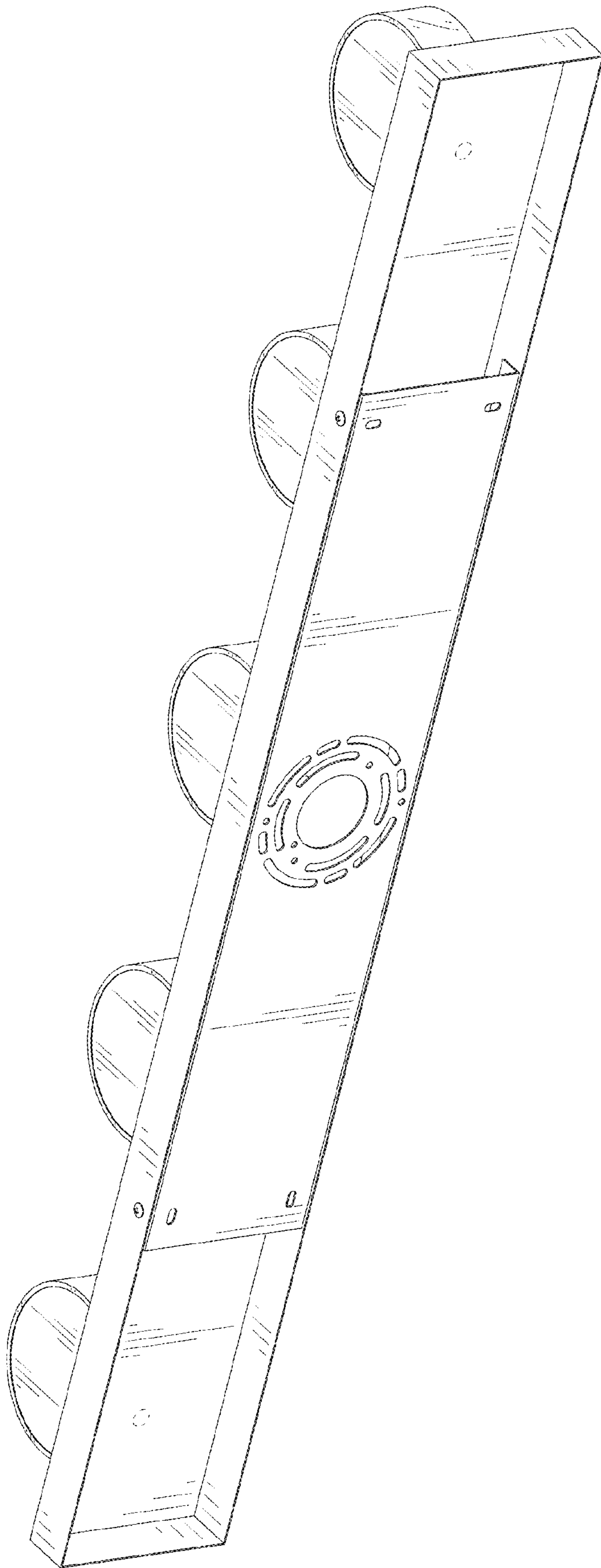


FIG. 50

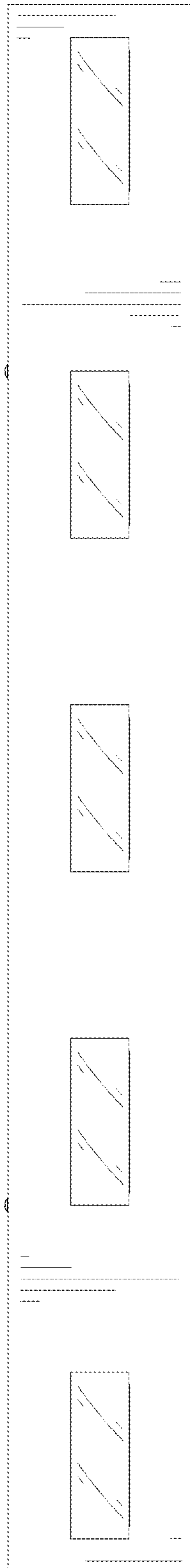


FIG. 51

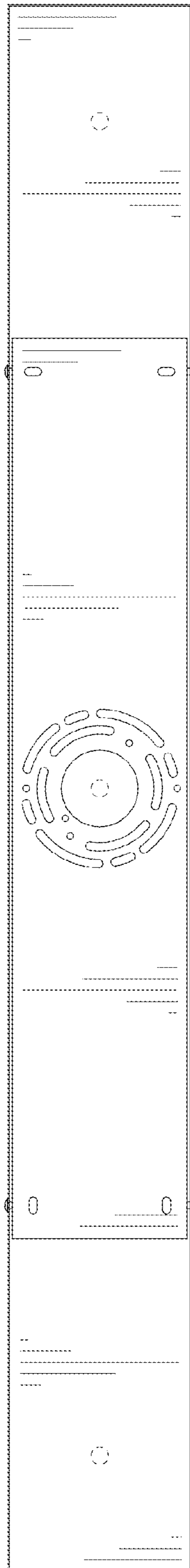


FIG. 52

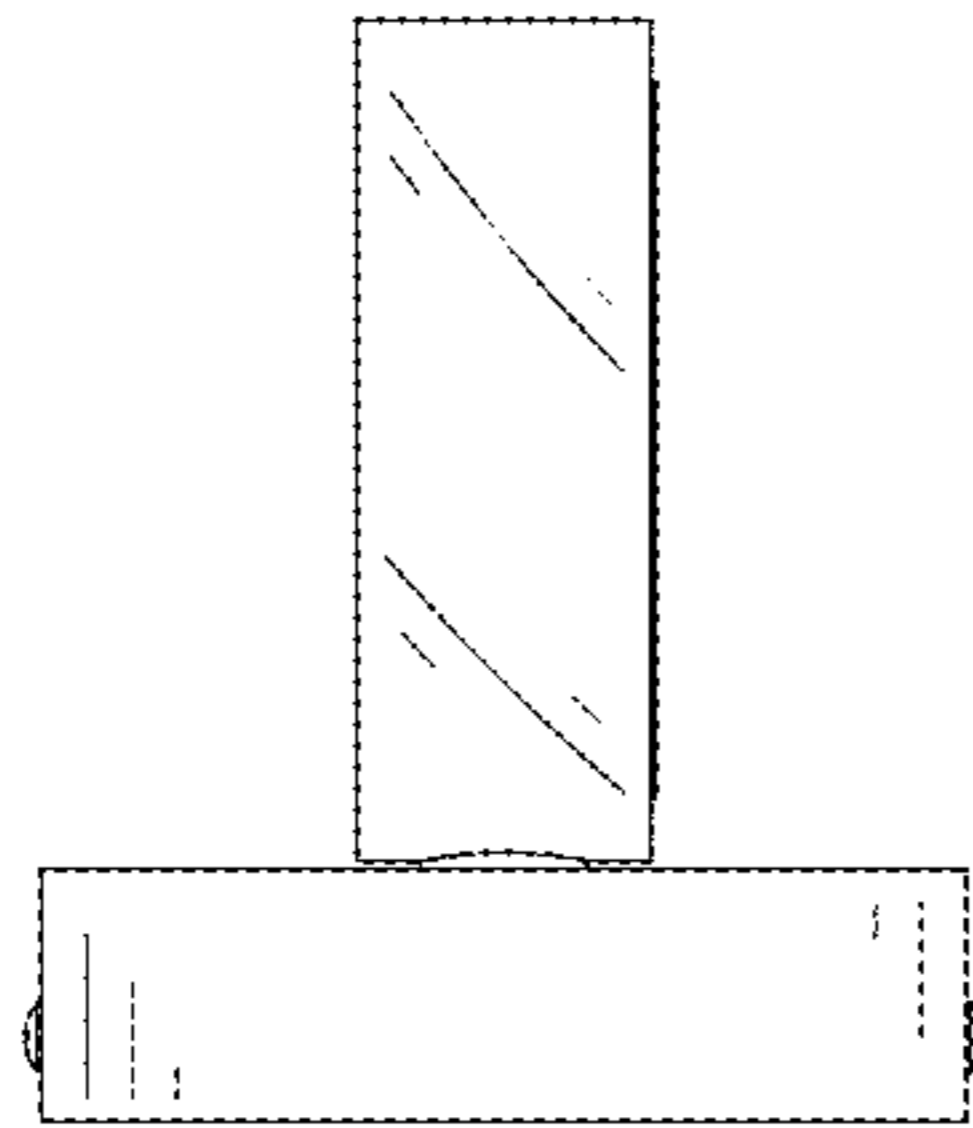


FIG. 53

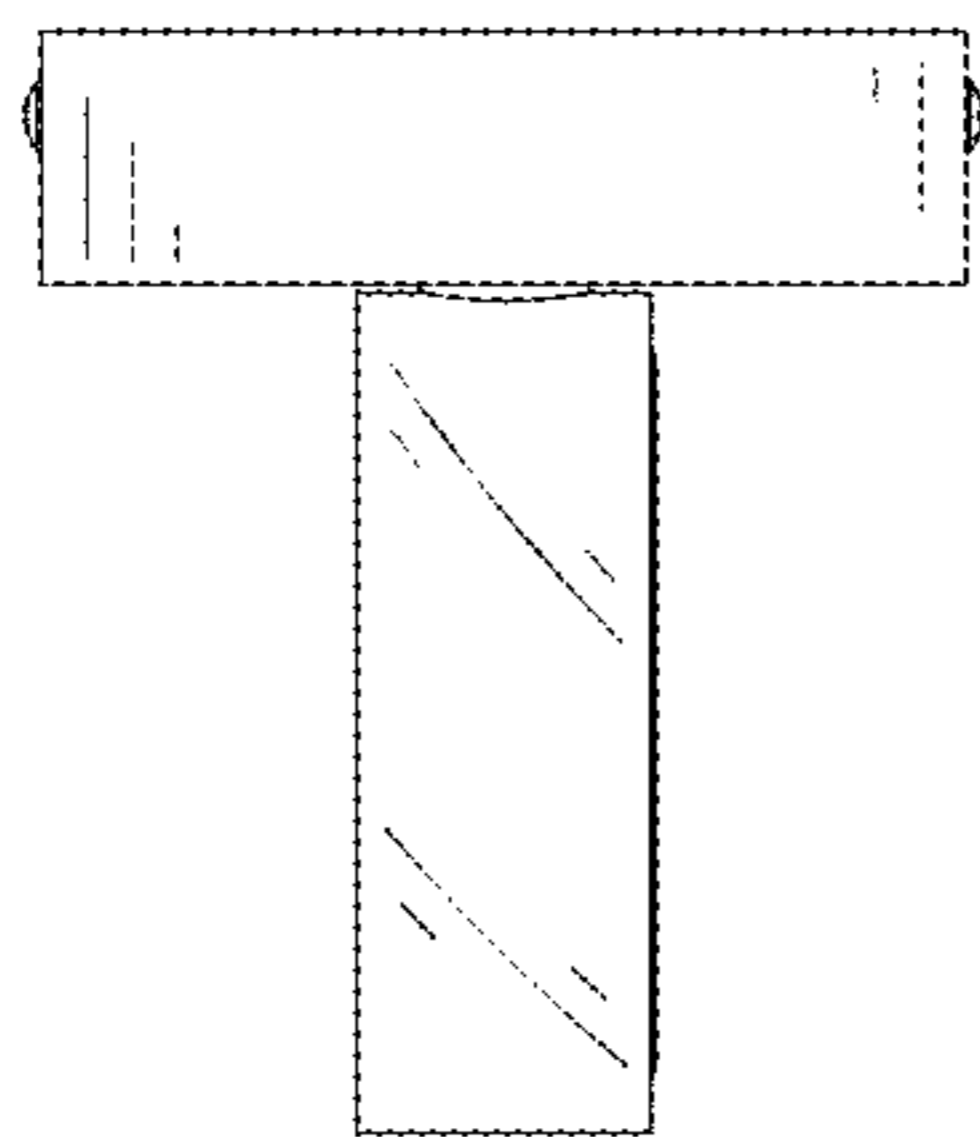


FIG. 54

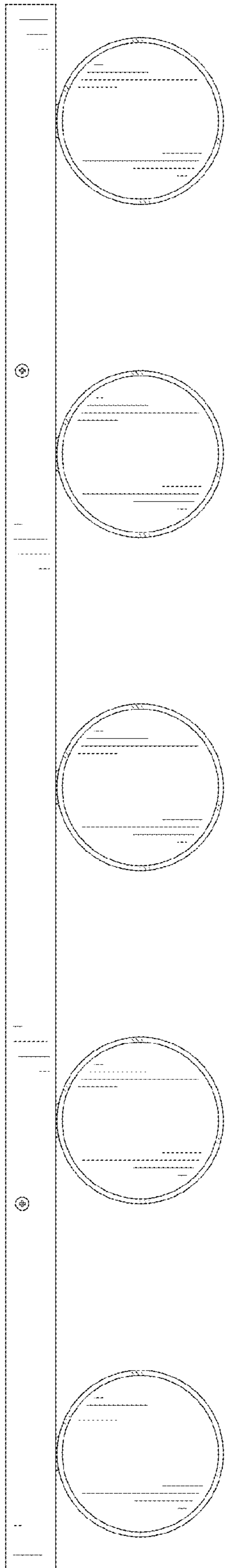


FIG. 55

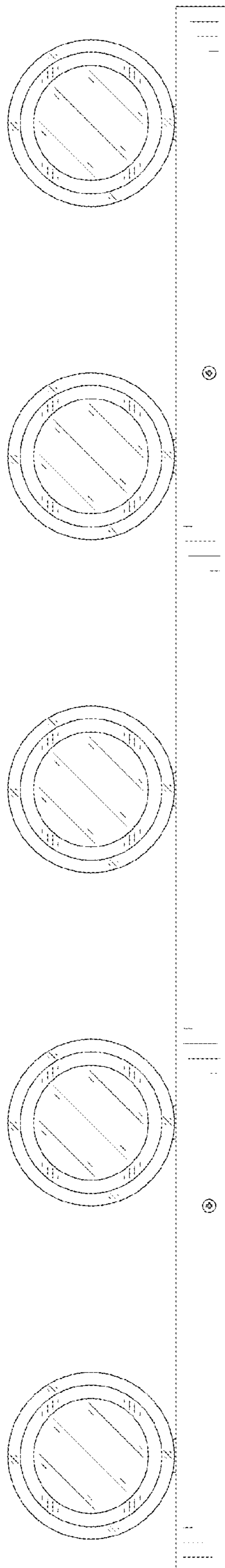


FIG. 56

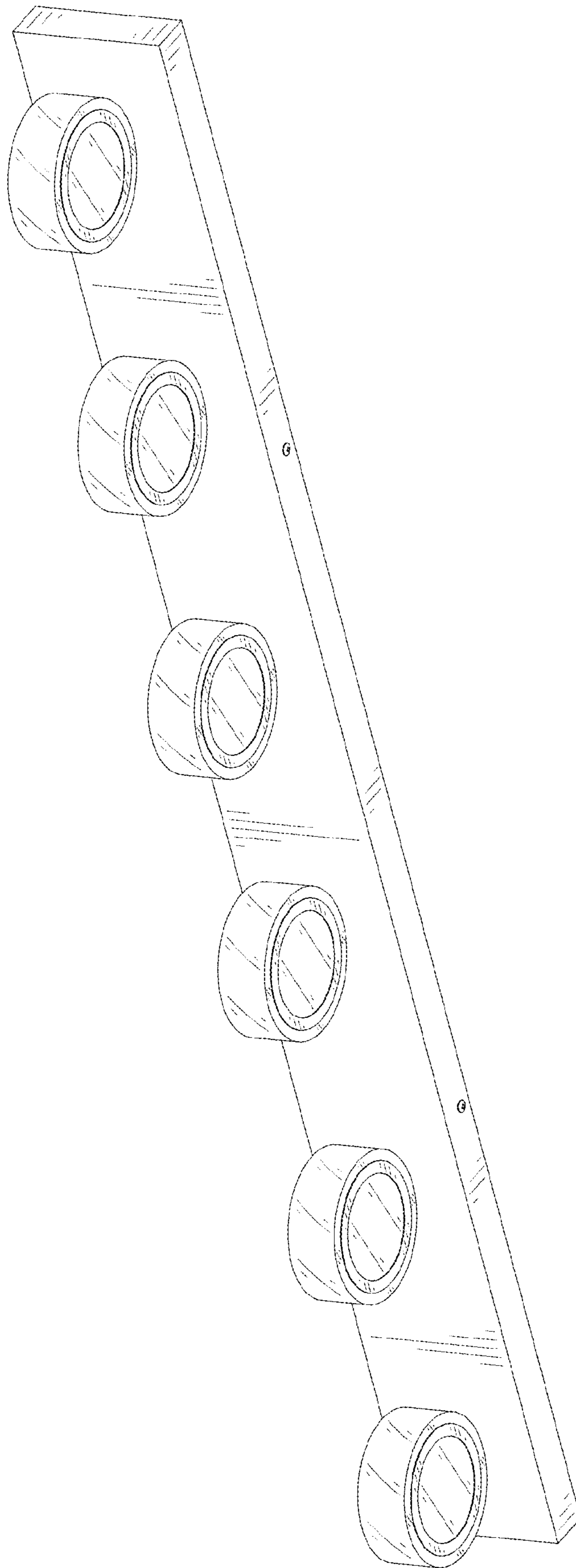


FIG. 57

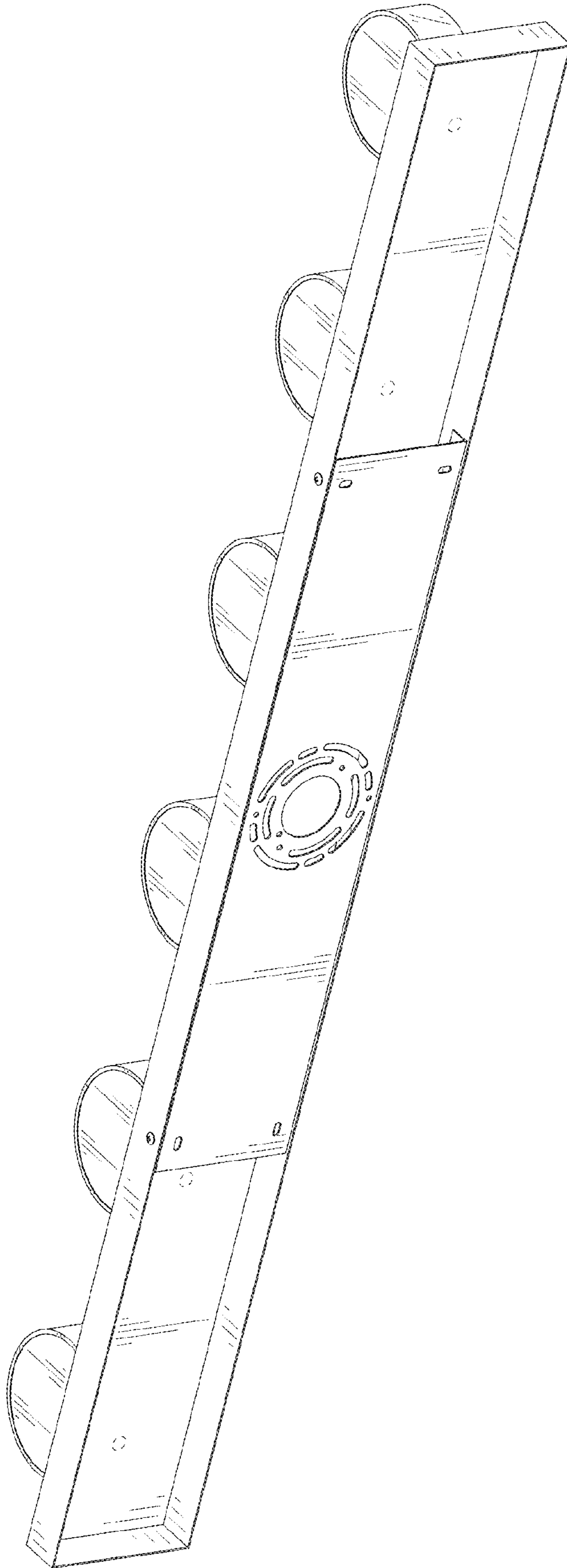


FIG. 58

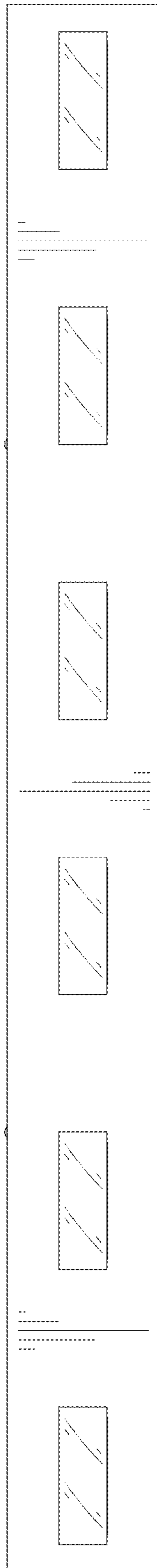


FIG. 59

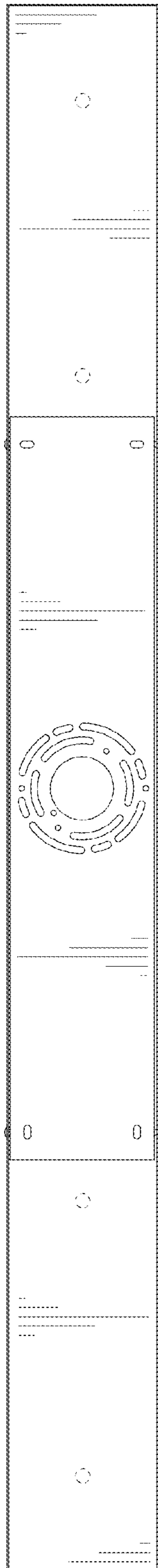


FIG. 60

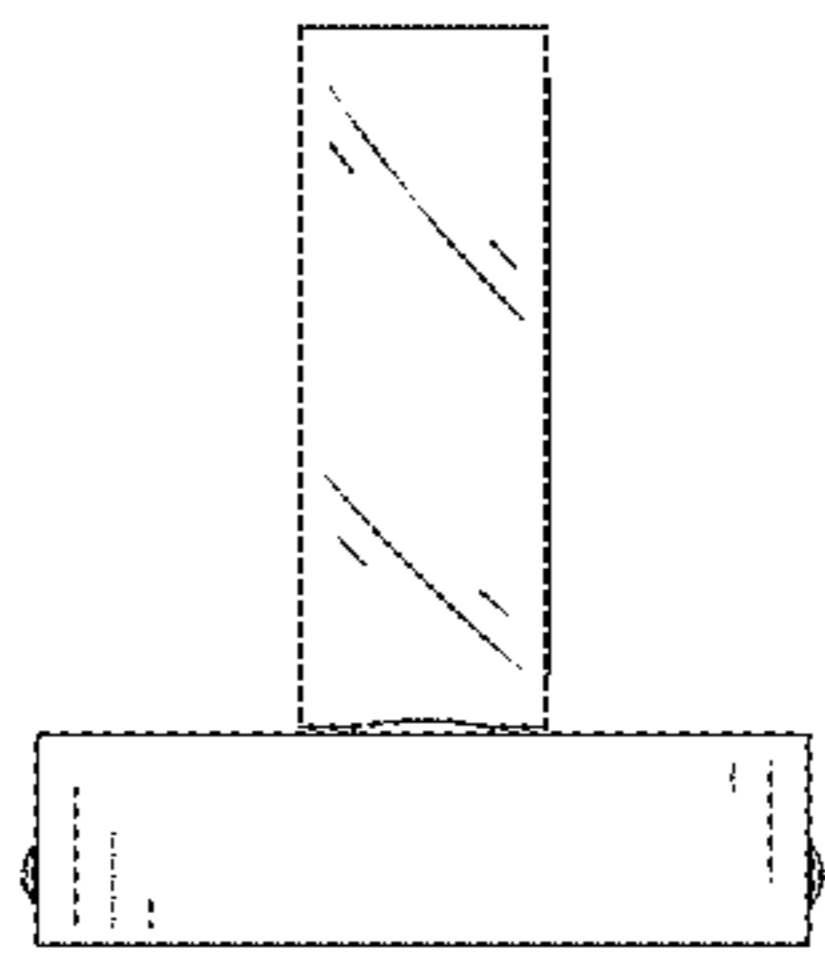


FIG. 61

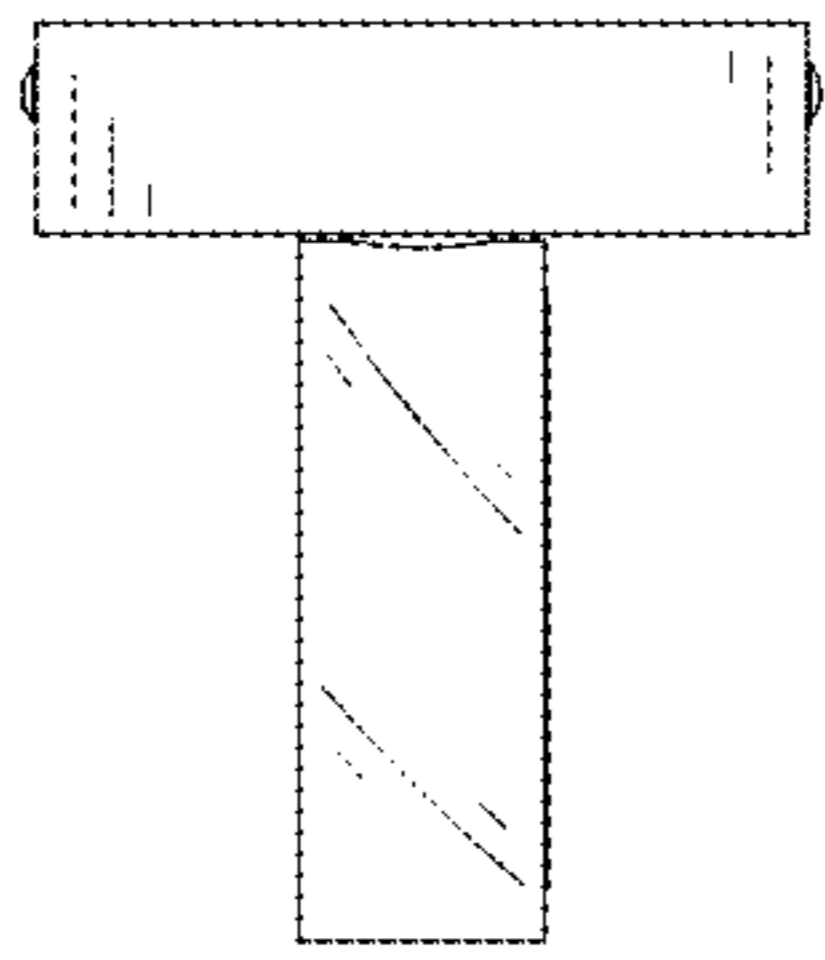


FIG. 62

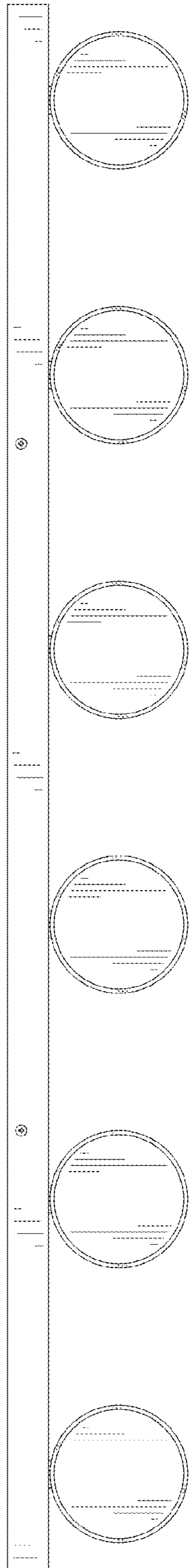


FIG. 63

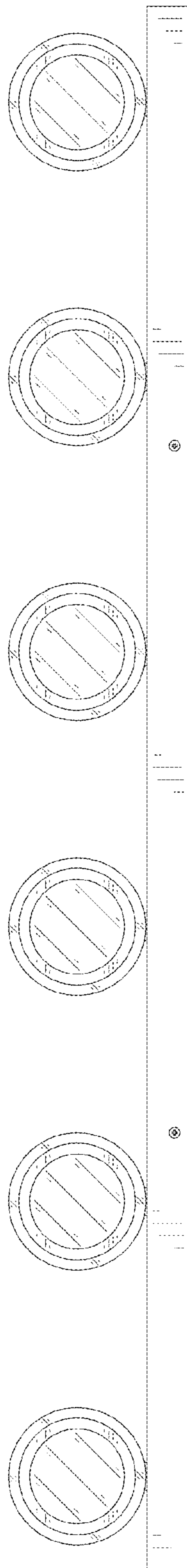


FIG. 64