



US00D926348S

(12) **United States Design Patent** (10) **Patent No.:** **US D926,348 S**
He (45) **Date of Patent:** **** Jul. 27, 2021**

(54) **SOLAR LIGHT**

(71) Applicant: **Xiaoling He**, Zhuzhou (CN)

(72) Inventor: **Xiaoling He**, Zhuzhou (CN)

(**) Term: **15 Years**

(21) Appl. No.: **29/752,074**

(22) Filed: **Sep. 24, 2020**

(51) **LOC (13) Cl.** **26-03**

(52) **U.S. Cl.**
USPC **D26/85; D26/72**

(58) **Field of Classification Search**
USPC D26/85, 72, 92; D10/106.6, 106.8
CPC F21S 8/03; F21S 8/033; F21S 8/036; F21S
8/037; F21S 9/022; F21S 9/024; F21S
9/03; F21S 9/035; F21S 9/037; F21W
2131/107; G08B 13/193

See application file for complete search history.

(56) **References Cited**

U.S. PATENT DOCUMENTS

D236,647 S *	9/1975	Stewart	D26/85
4,939,359 A *	7/1990	Freeman	G01V 8/10 250/221
D816,259 S *	4/2018	Liu	D26/85
D841,864 S *	2/2019	Liu	D26/85
D841,865 S *	2/2019	Deng	D26/85
D848,049 S *	5/2019	Hu	D26/85
D850,701 S	6/2019	Zhuo	
D864,460 S *	10/2019	Hu	D26/85
D870,342 S	12/2019	Xiao	
D882,147 S *	4/2020	He	D26/85
D882,148 S *	4/2020	He	D26/85
D882,855 S *	4/2020	Liu	D26/85

D896,428 S *	9/2020	Pan	D26/85
D913,558 S *	3/2021	Hu	D26/72
2017/0321877 A1 *	11/2017	Polidoro	F21V 33/0088

OTHER PUBLICATIONS

Hmcity Solar Lights, Outdoor 120 LED with Lights Reflector and 3 Lighting Modes, ASIN: B07ZSC6TNB, available at amazon.com Oct. 30, 2019. (Year: 2019).*
Westinghouse 2-Pack 1200-Lumen 20-Watt Black LED Motion Sensor Wall Pack Light, available at lowes.com as early as Dec. 8, 2020. (Year: 2020).*

* cited by examiner

Primary Examiner — Clare E Heflin

(74) *Attorney, Agent, or Firm* — ScienBiziP, P.C.

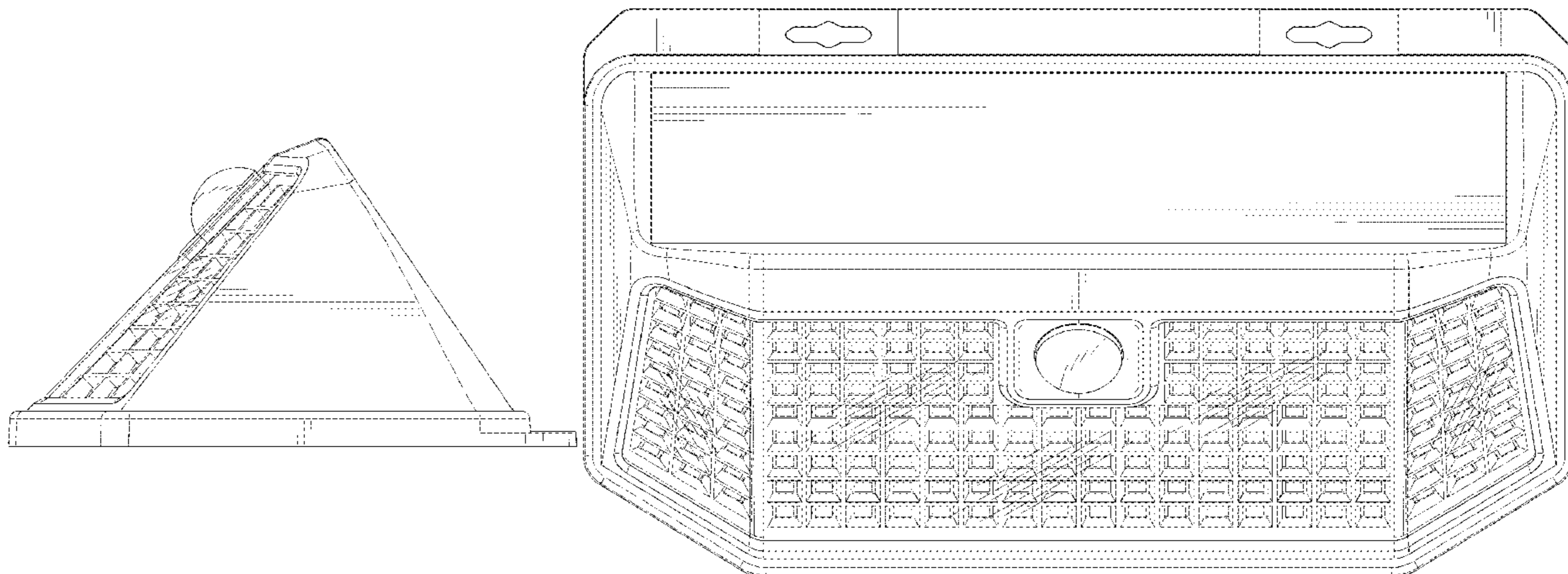
(57) **CLAIM**

The ornamental design for a solar light, as shown and described.

DESCRIPTION

FIG. 1 is a bottom, front perspective view of the solar light showing my new design;
FIG. 2 is a top, rear perspective view thereof;
FIG. 3 is a bottom plan view thereof;
FIG. 4 is a top plan view thereof;
FIG. 5 is a right side elevation view thereof;
FIG. 6 is a left side elevation view thereof;
FIG. 7 is a front elevation view thereof; and,
FIG. 8 is a rear elevation view thereof.
The broken lines in the drawings depict environmental structure and boundaries and form no part of the claimed design.

1 Claim, 8 Drawing Sheets



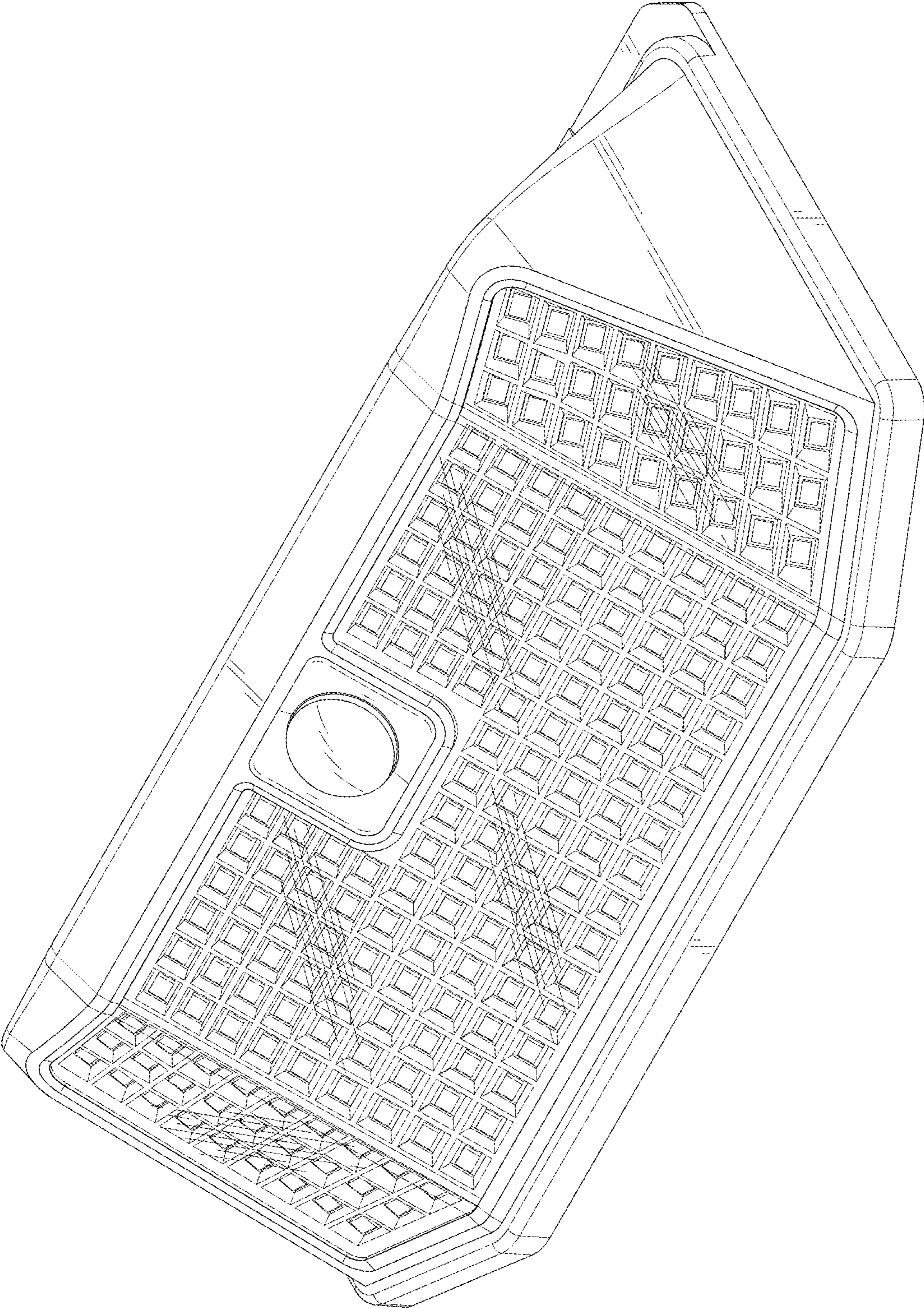


FIG.1

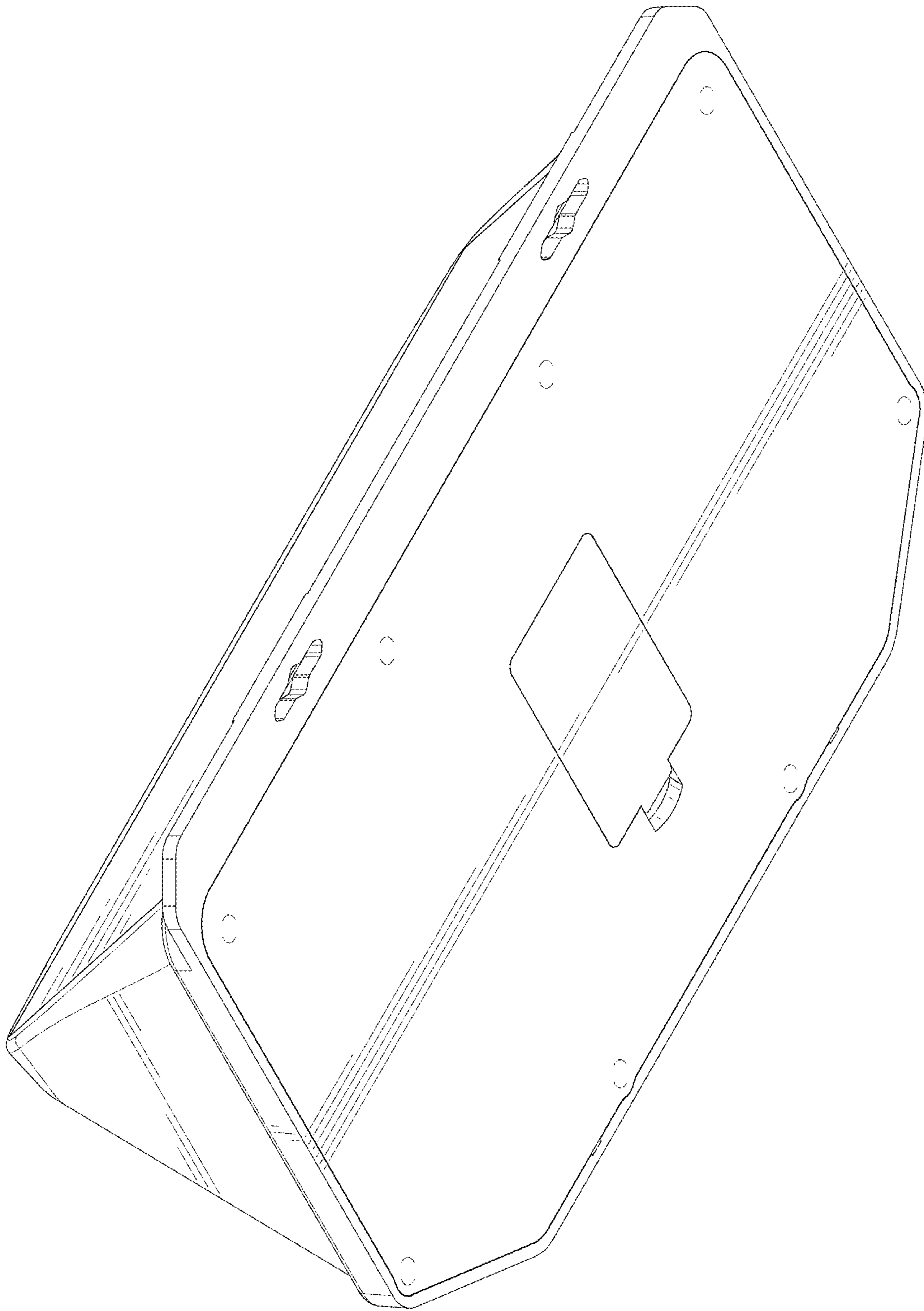


FIG.2

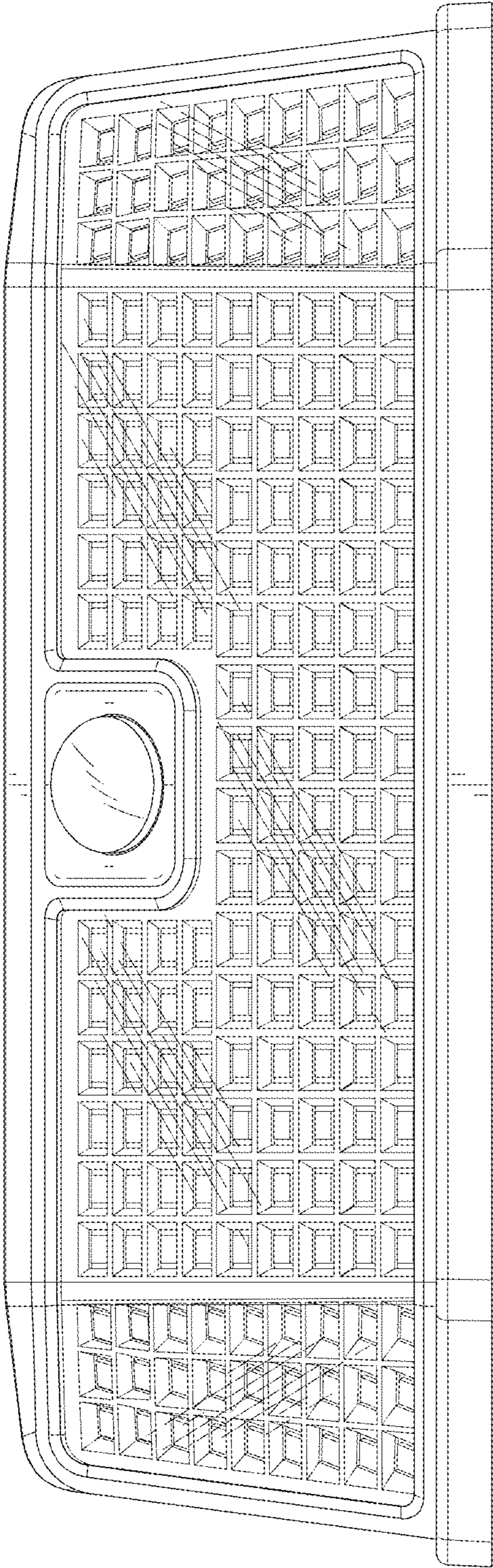


FIG. 3

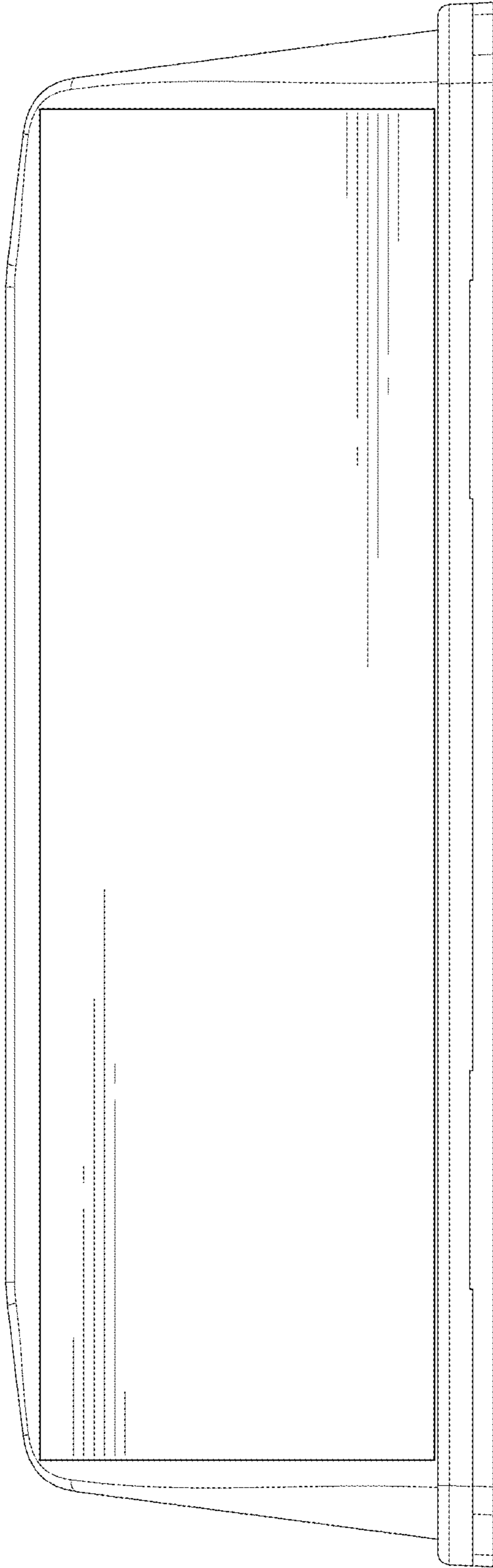


FIG.4

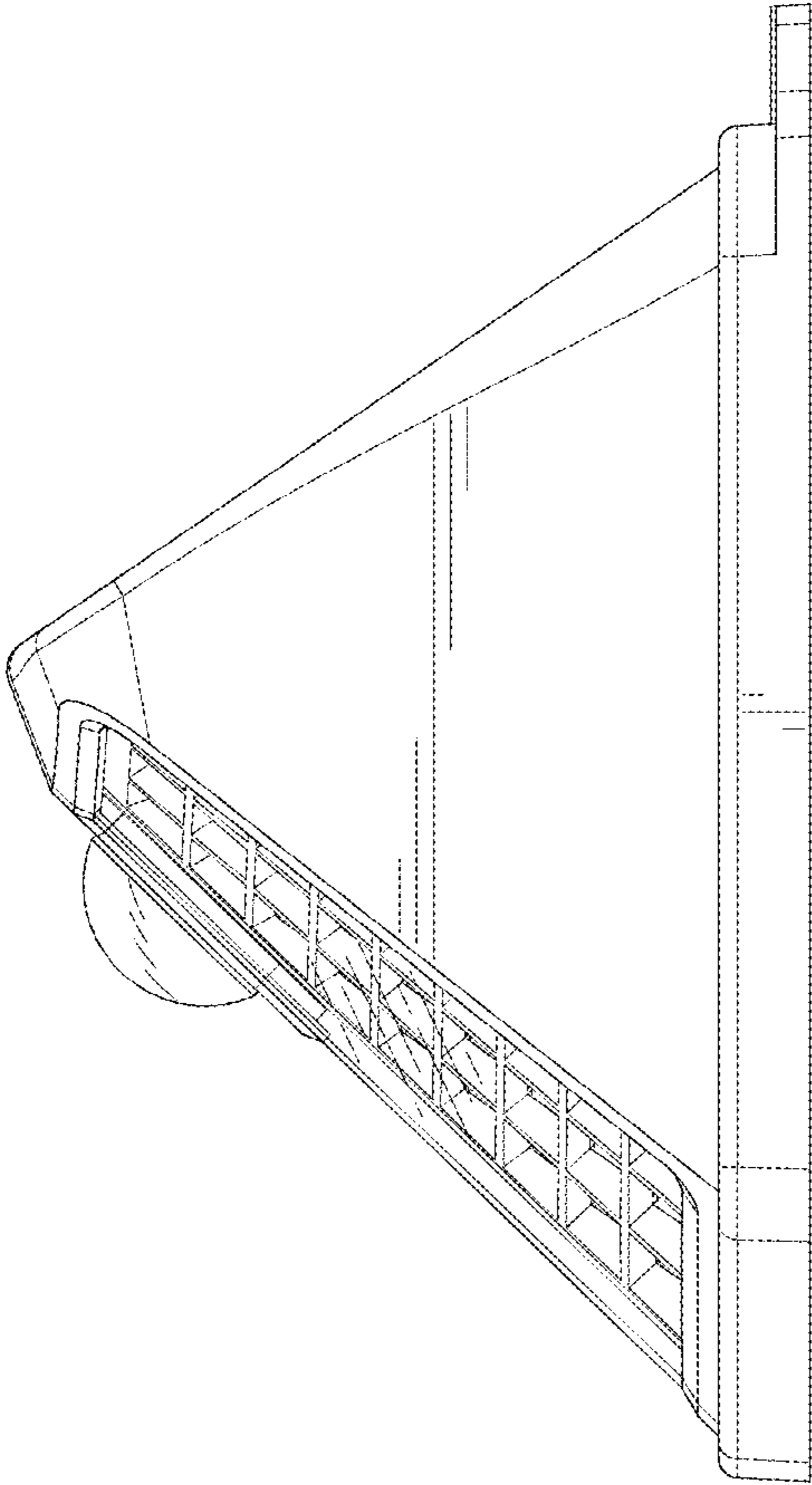


FIG. 5

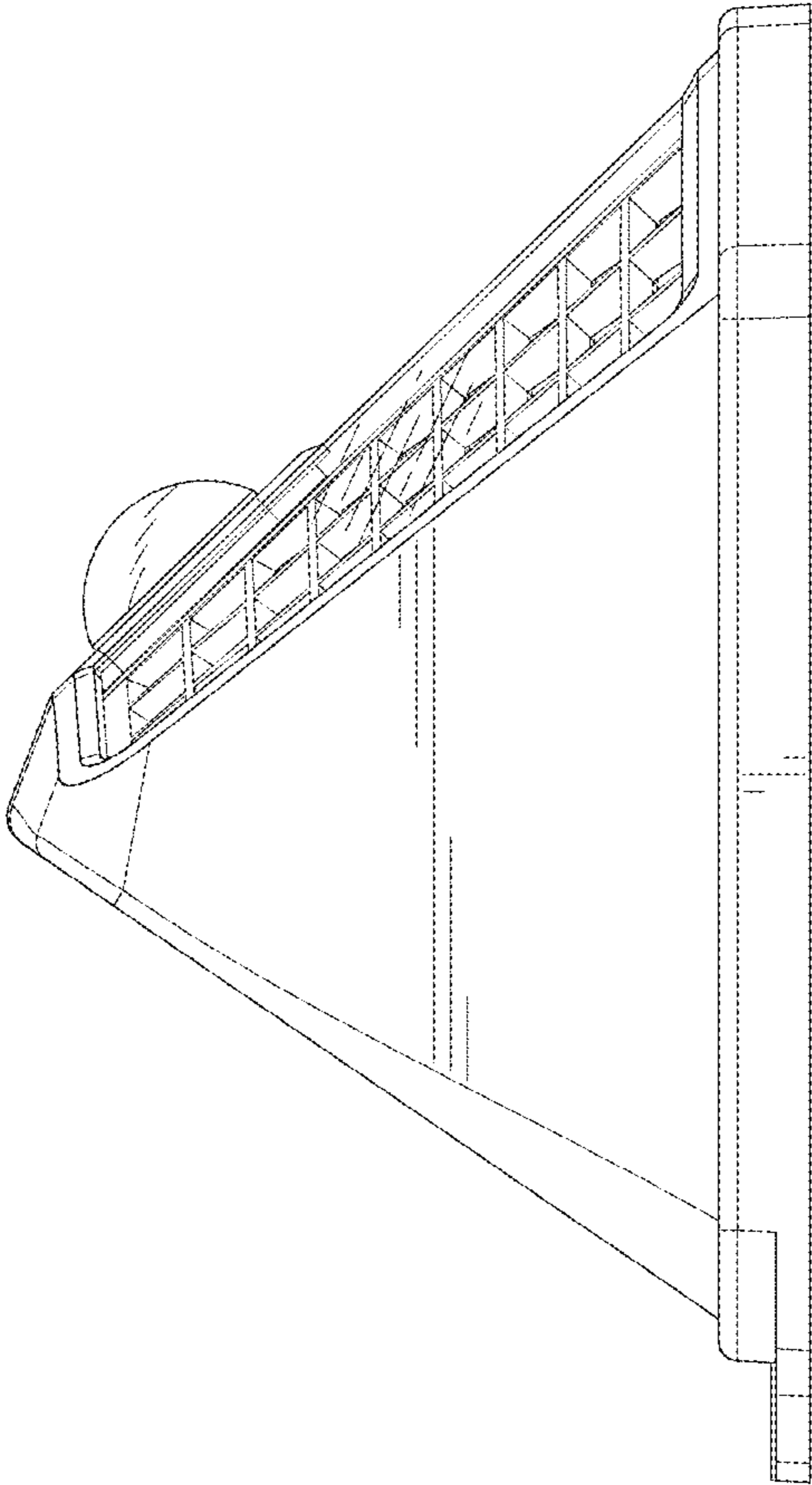


FIG.6

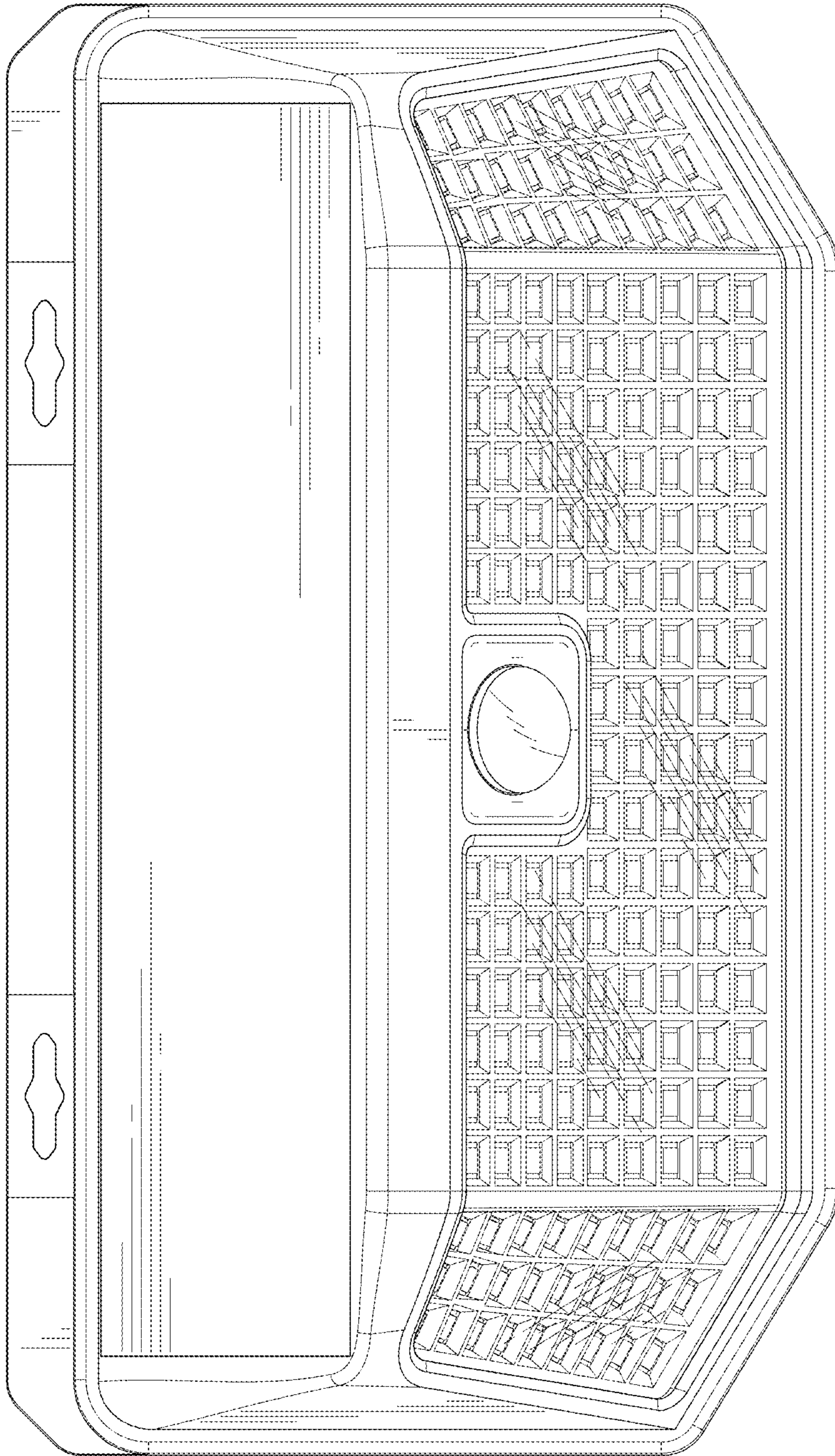


FIG. 7

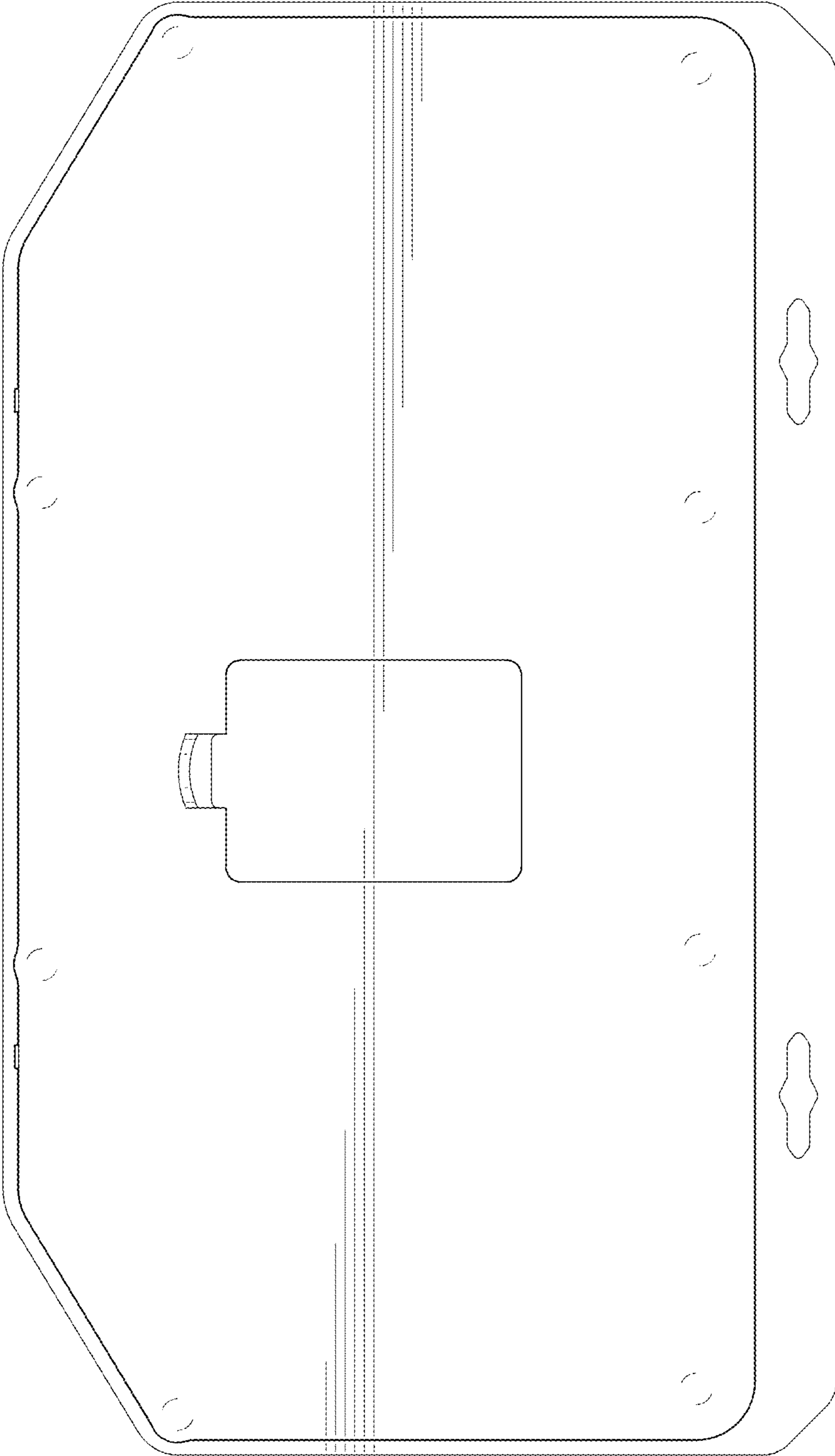


FIG. 8