



US00D926345S

(12) **United States Design Patent** (10) **Patent No.:** **US D926,345 S**
Gallo, Jr. (45) **Date of Patent:** **** Jul. 27, 2021**

(54) **SOLAR-POWERED FLAG LIGHT WITH REMOTE**

(71) Applicant: **Joseph Gallo, Jr.**, Hillsborough, NJ (US)

(72) Inventor: **Joseph Gallo, Jr.**, Hillsborough, NJ (US)

(**) Term: **15 Years**

(21) Appl. No.: **29/708,847**

(22) Filed: **Oct. 10, 2019**

(51) **LOC (13) Cl.** **26-05**

(52) **U.S. Cl.**
USPC **D26/72**

(58) **Field of Classification Search**
USPC D10/111-115; D26/24, 26, 34, 44, 51, D26/60, 61, 63, 67, 72, 75, 76, 78, 80, D26/84-88, 89, 113, 118, 119, 121, 135, D26/141, 142

CPC F21S 8/00; F21S 8/02; F21S 8/03; F21S 8/04; F21S 8/033; F21S 8/08; F21S 8/036; F21S 8/037; F21S 8/043; F21S 9/032; F21S 9/035; F21S 9/037
See application file for complete search history.

(56) **References Cited**

U.S. PATENT DOCUMENTS

D329,299	S *	9/1992	Cole, Jr.	D26/74
5,915,824	A *	6/1999	Straat	A47B 97/00
					362/133
D499,834	S *	12/2004	Yu	D26/118
D563,036	S *	2/2008	Miyairi	D26/122
7,699,508	B2	4/2010	Schroeder		
8,746,928	B2	6/2014	Morris et al.		
D740,479	S *	10/2015	Beno	D26/90
9,316,365	B1	4/2016	Ko		

9,396,673	B2	7/2016	Bort		
9,677,728	B2	6/2017	Toner		
D846,786	S *	4/2019	Tremaine	D26/76
D870,956	S *	12/2019	Mier-Langner	D26/138
D878,657	S *	3/2020	Carini	D26/76
D898,267	S *	10/2020	Cho	D26/76
2005/0072057	A1	4/2005	Ciaccia		
2006/0198144	A1 *	9/2006	Miyairi	G09F 13/22
					362/257
2012/0113625	A1 *	5/2012	Werner	F21S 9/037
					362/183
2018/0313108	A1 *	11/2018	Ciaccia	G09F 17/0091
2020/0116319	A1 *	4/2020	Gallo, Jr.	F21V 21/116

* cited by examiner

Primary Examiner — Kevin K Rudzinski

Assistant Examiner — Richard Kearney

(74) *Attorney, Agent, or Firm* — Boudwin Intellectual Property; Daniel Boudwin

(57) **CLAIM**

The ornamental design for a solar powered flag light with remote, as shown and described.

DESCRIPTION

FIG. 1 shows a perspective view of a solar powered flag light with remote;

FIG. 2 shows a front view thereof;

FIG. 3 shows a rear view thereof;

FIG. 4 shows a right side view thereof;

FIG. 5 shows a left side view thereof;

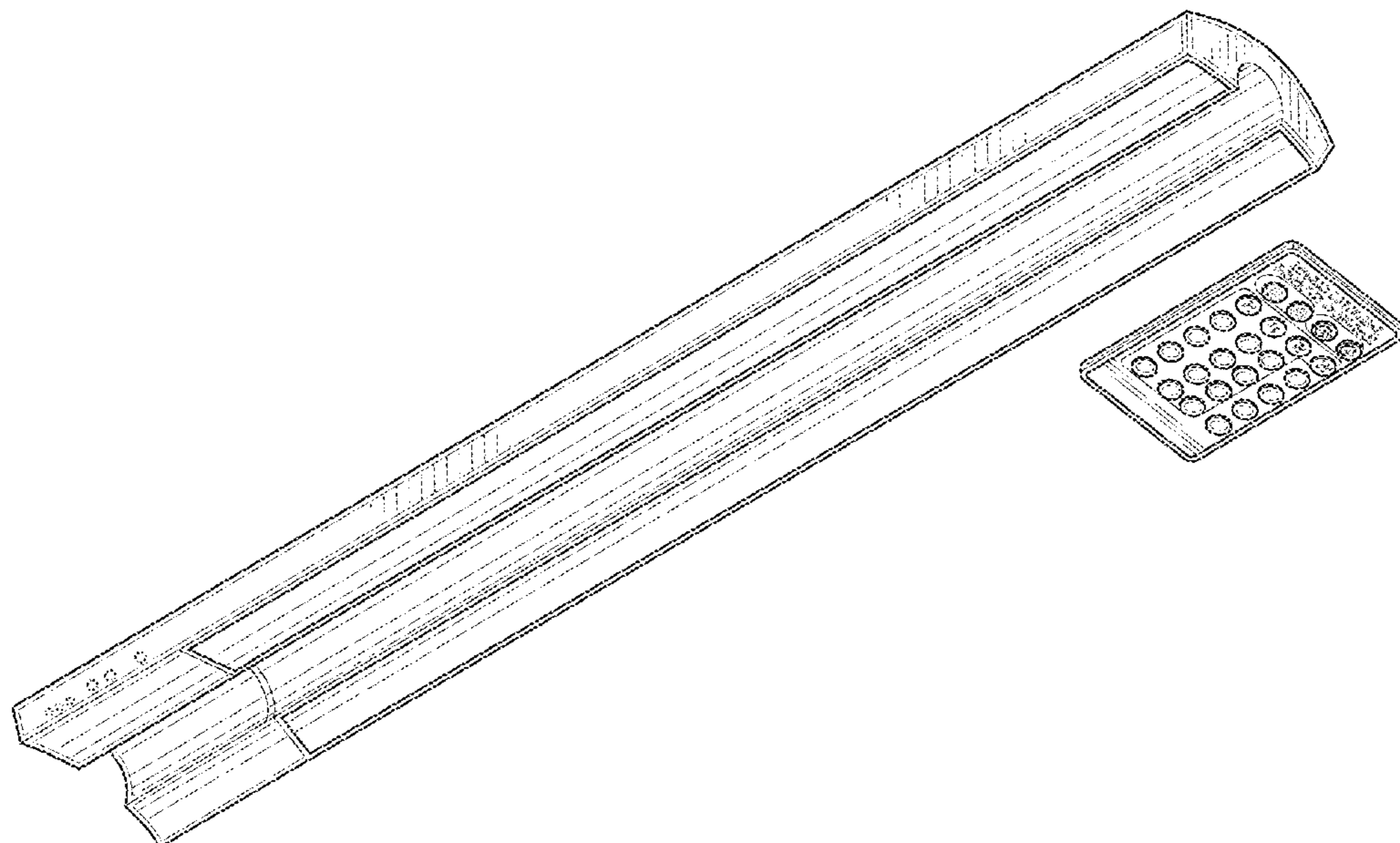
FIG. 6 shows a top plan view thereof; and,

FIG. 7 shows a bottom plan view thereof.

The shade lines in the Figures show contour and not surface ornamentation.

The broken lines shown in the drawings illustrate portions of the solar powered flag light and remote and form no part of the claimed design.

1 Claim, 3 Drawing Sheets



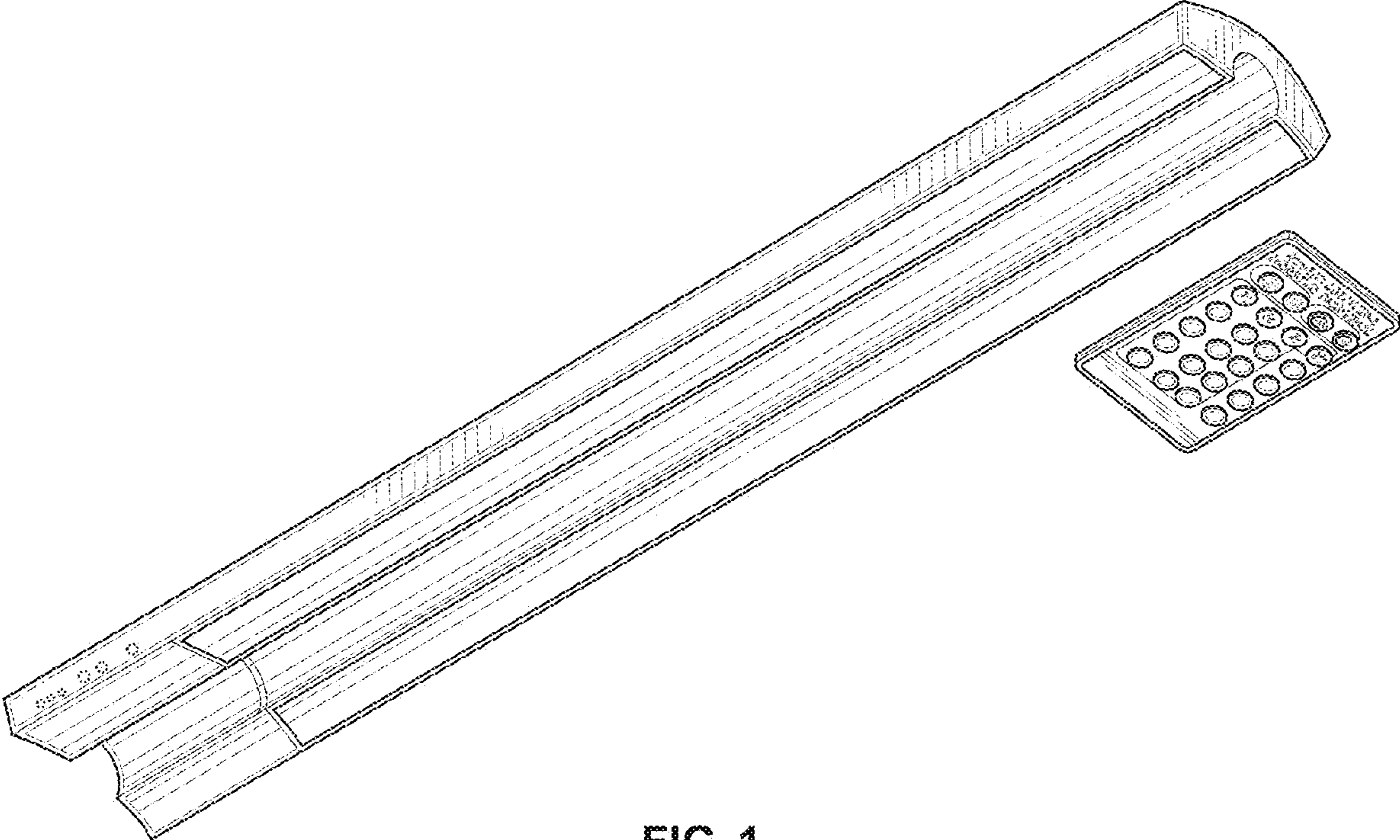


FIG. 1

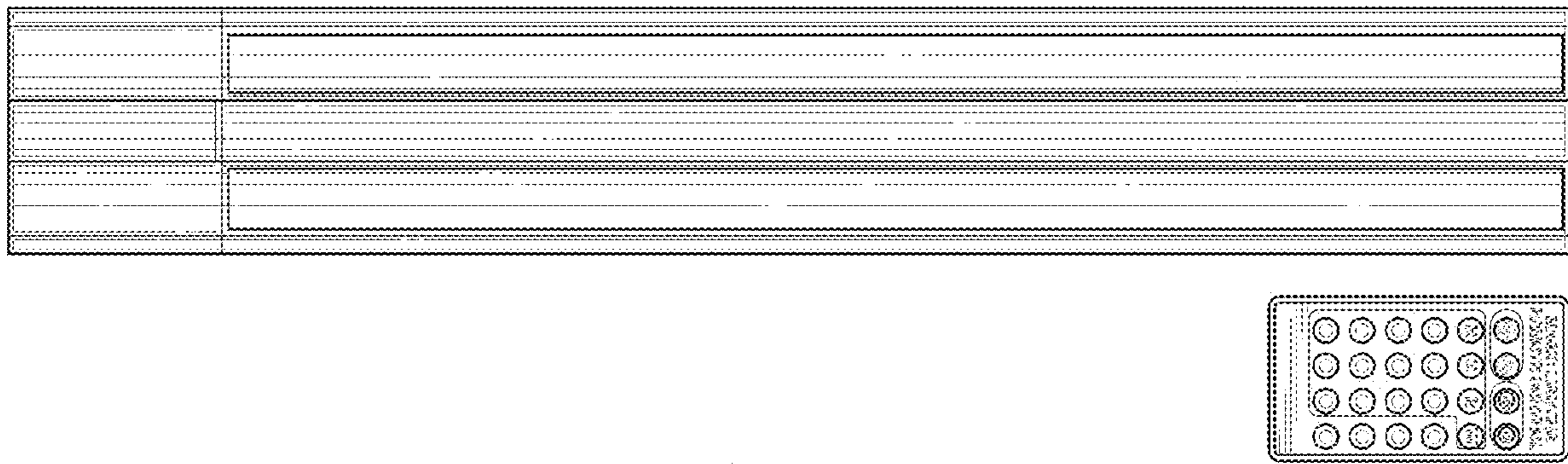


FIG. 2

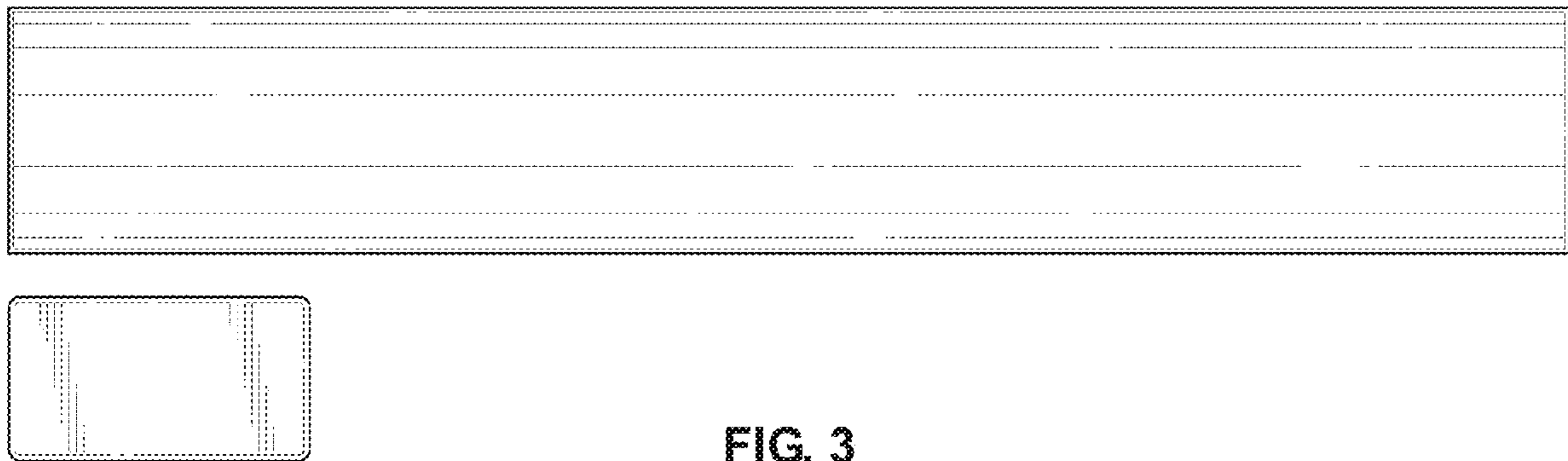


FIG. 3

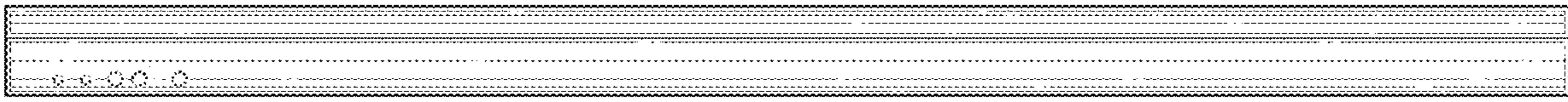


FIG. 4

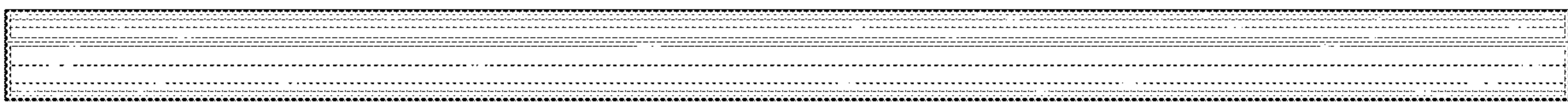


FIG. 5

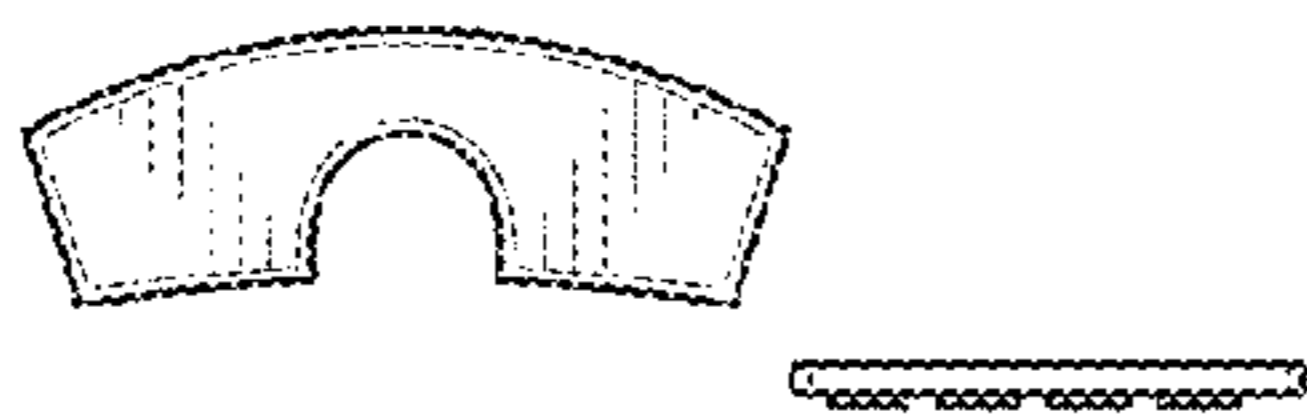


FIG. 6

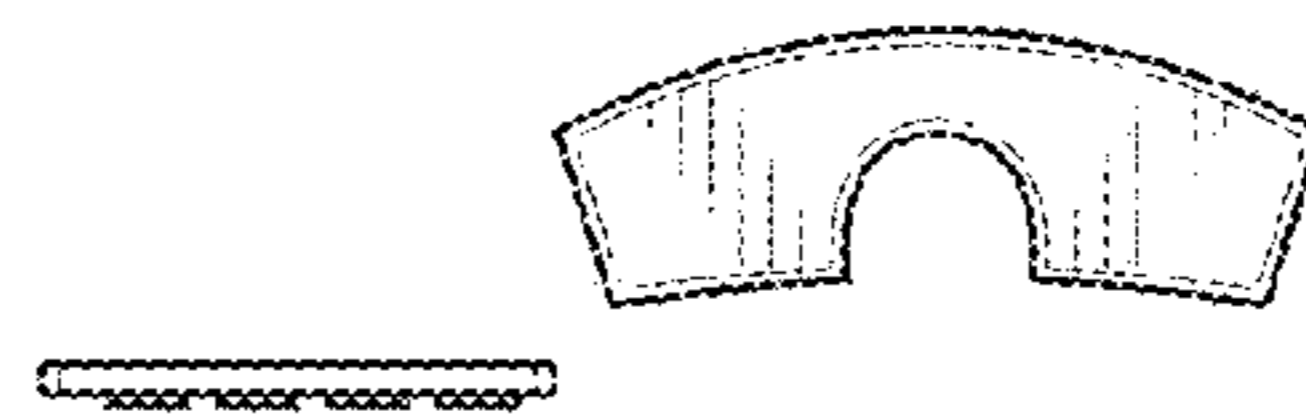


FIG. 7