



US00D926344S

(12) **United States Design Patent** (10) **Patent No.:** **US D926,344 S**
Arola (45) **Date of Patent:** **** Jul. 27, 2021**

(54) **LAMP** D470,965 S * 2/2003 Landefeld F21V 21/116
D26/63
(71) Applicant: **SANTA & COLE NEOSERIES S.L.,** D563,018 S * 2/2008 Nankil D26/70
La Roca del Vallès (ES) D623,792 S * 9/2010 Nankil D26/87
D696,808 S * 12/2013 Rangesh D26/71
(72) Inventor: **Antoni Arola,** Barcelona (ES) D711,034 S * 8/2014 Sturgis D26/71
D761,988 S * 7/2016 Asano D26/51
D776,316 S * 1/2017 Kim D26/51
(73) Assignee: **SANTA & COLE NEOSERIES S.L.,** D862,770 S * 10/2019 Coombes D26/85
La Roca del Vallès (ES) D889,020 S * 6/2020 Bassant D26/87
2004/0095773 A1* 5/2004 Gaskins F21V 21/116
362/370

(**) Term: **15 Years**
(21) Appl. No.: **35/507,648**

(22) Filed: **Apr. 4, 2019**

(80) **Hague Agreement Data**
Int. Filing Date: **Apr. 4, 2019**
Int. Reg. No.: **DM/203714**
Int. Reg. Date: **Apr. 4, 2019**
Int. Reg. Pub. Date: **Nov. 8, 2019**

(51) **LOC (13) Cl.** **26-05**
(52) **U.S. Cl.**
USPC **D26/51**

(58) **Field of Classification Search**
USPC D16/237, 241, 250; D26/51, 56, 71, 72,
D26/85, 87, 88, 89, 92
CPC .. F21S 8/033; F21S 8/036; F21S 8/085; F21S
8/086; F21V 21/30; F21W 2111/02
See application file for complete search history.

(56) **References Cited**
U.S. PATENT DOCUMENTS
D157,236 S * 2/1950 Brozyna D6/308
D176,750 S * 1/1956 Brozyna D6/308
D213,464 S * 3/1969 Meyer D26/89
D214,296 S * 5/1969 McFarland D19/77
D266,958 S * 11/1982 Gernhardt D26/92

OTHER PUBLICATIONS

Two screenshots. Estudi Antoni Arola Family of Lampshades. Dated 2019; one page. Found online Aug. 5, 2020 at <http://www.estudiantoniarola.com/en/entry/bijou> (Year: 2019).*

* cited by examiner

Primary Examiner — Michael A. Pratt
(74) *Attorney, Agent, or Firm* — McCormick, Paulding & Huber PLLC

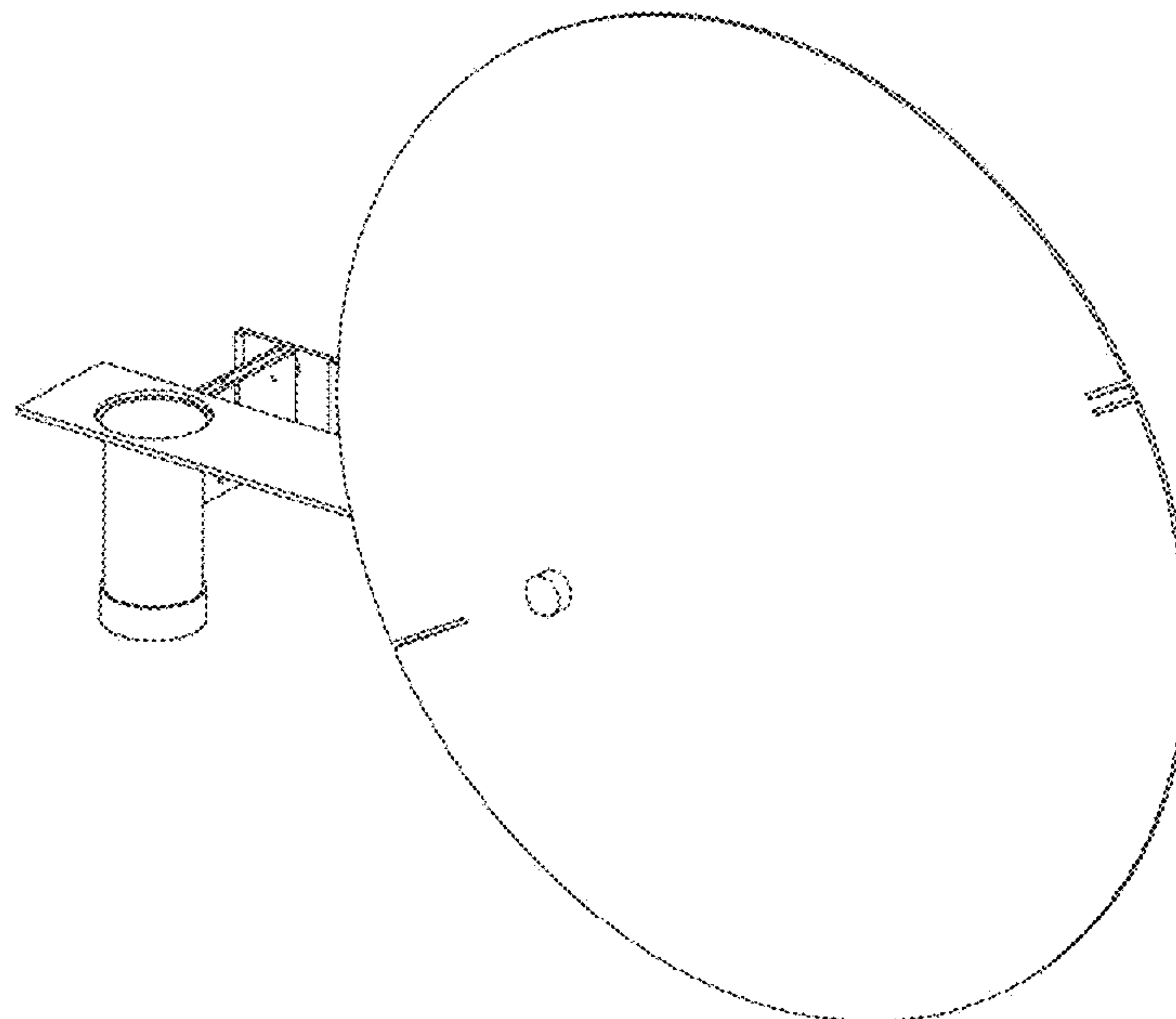
(57) **CLAIM**

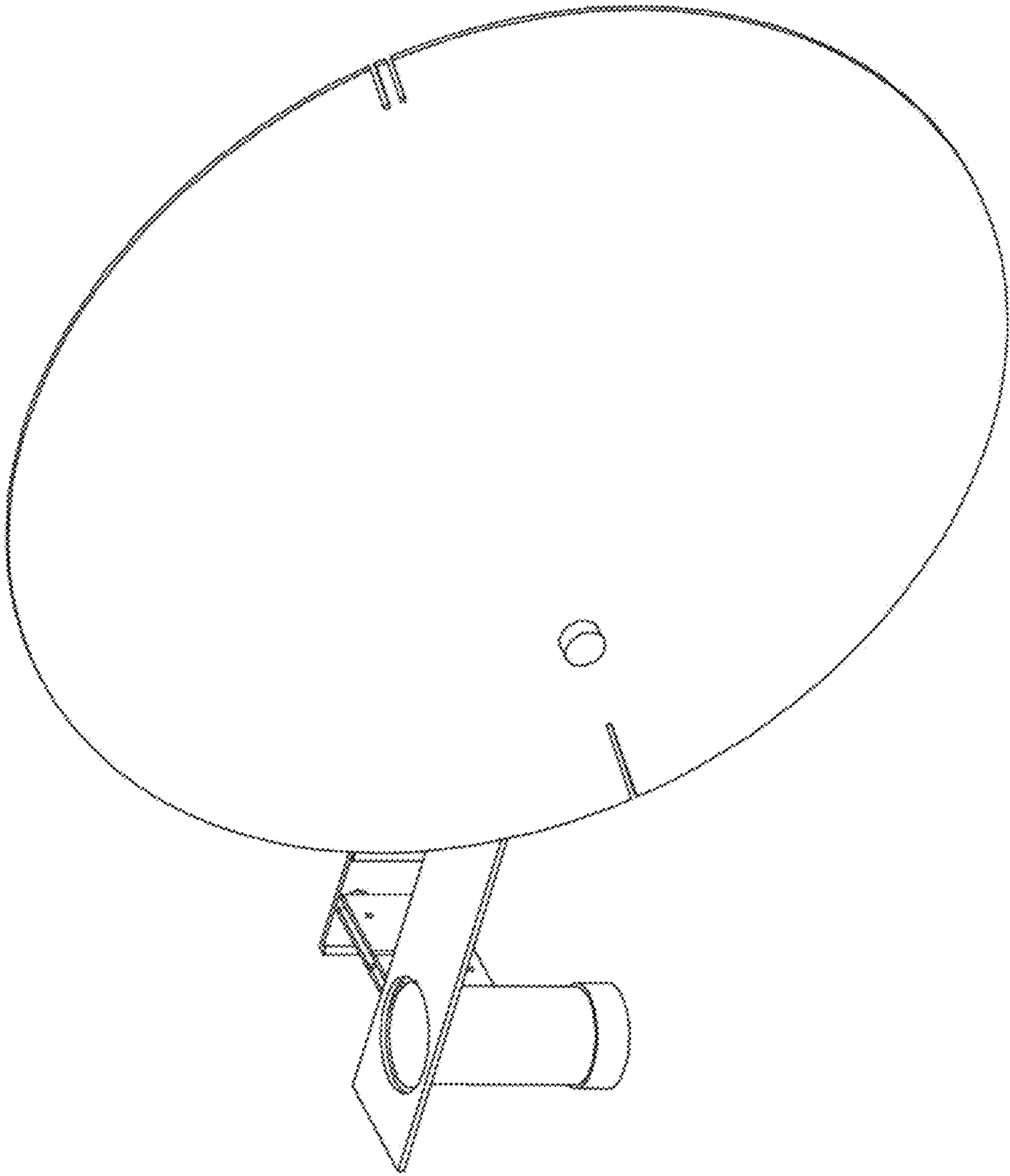
The ornamental design for lamp, as shown and described.

DESCRIPTION

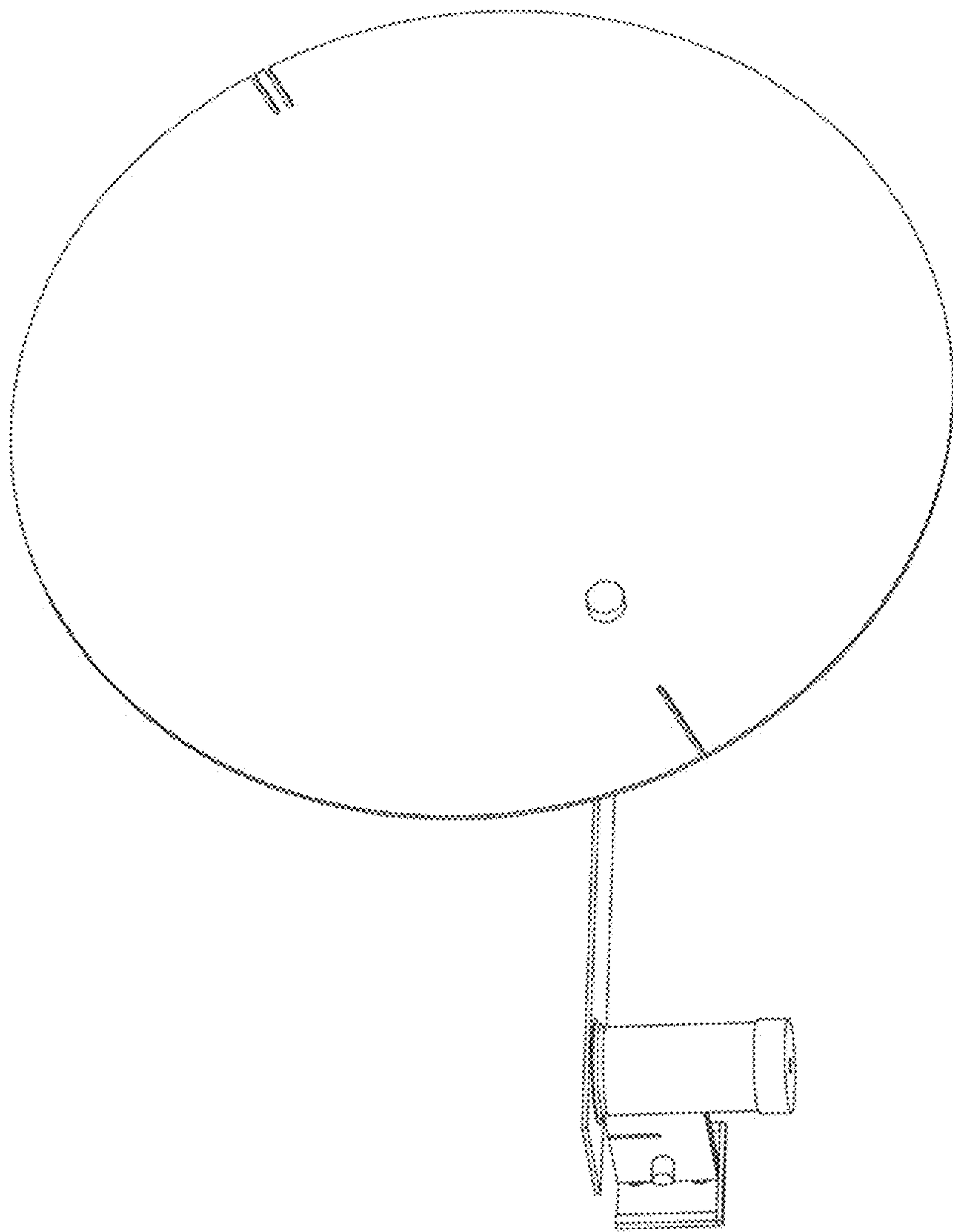
- 1. Lamp
- 1.1 : Perspective
- 1.2 : Perspective
- 1.3 : Front
- 1.4 : Left
- 1.5 : Top
- 1.6 : Right
- 1.7 : Bottom
- 1.8 : Back

1 Claim, 8 Drawing Sheets

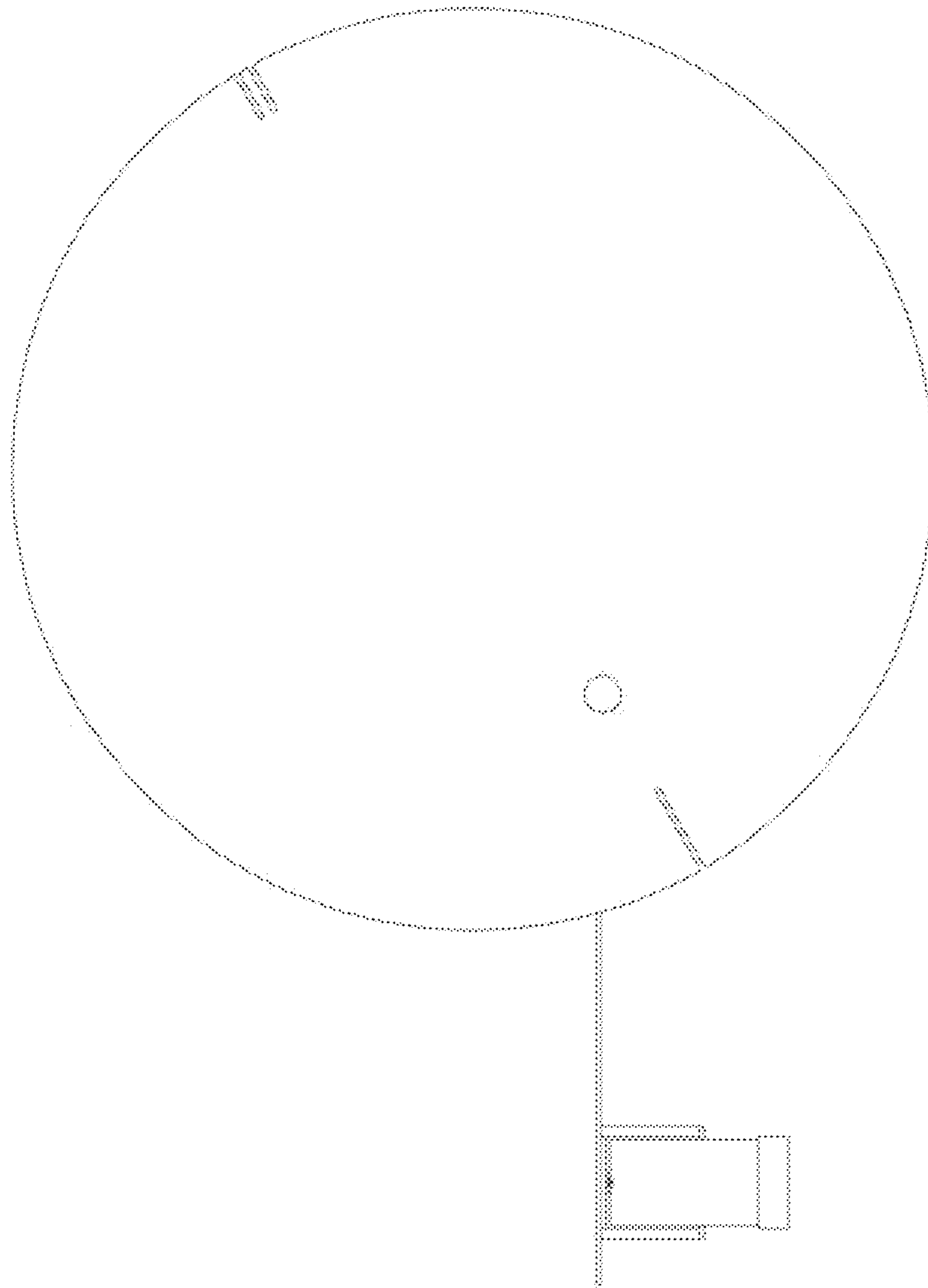




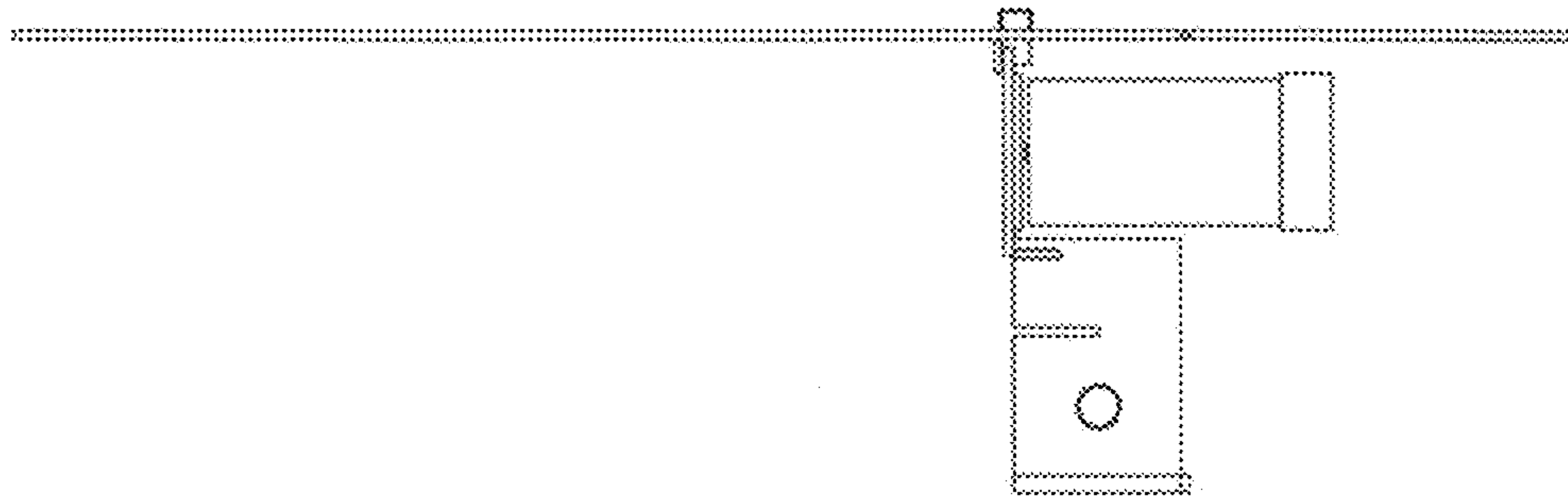
1.1



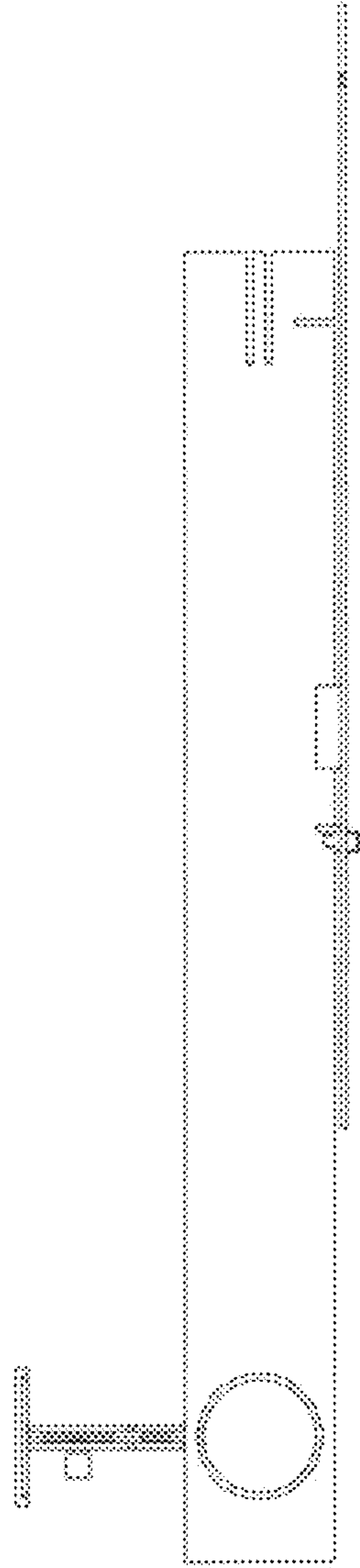
1.2



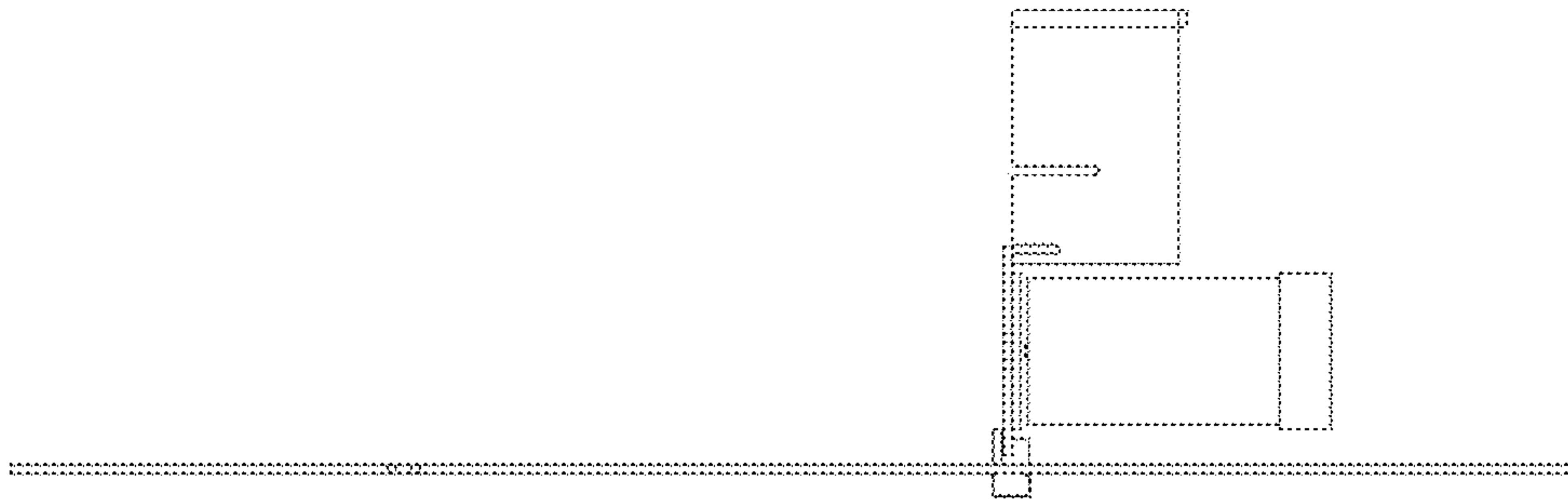
1.3



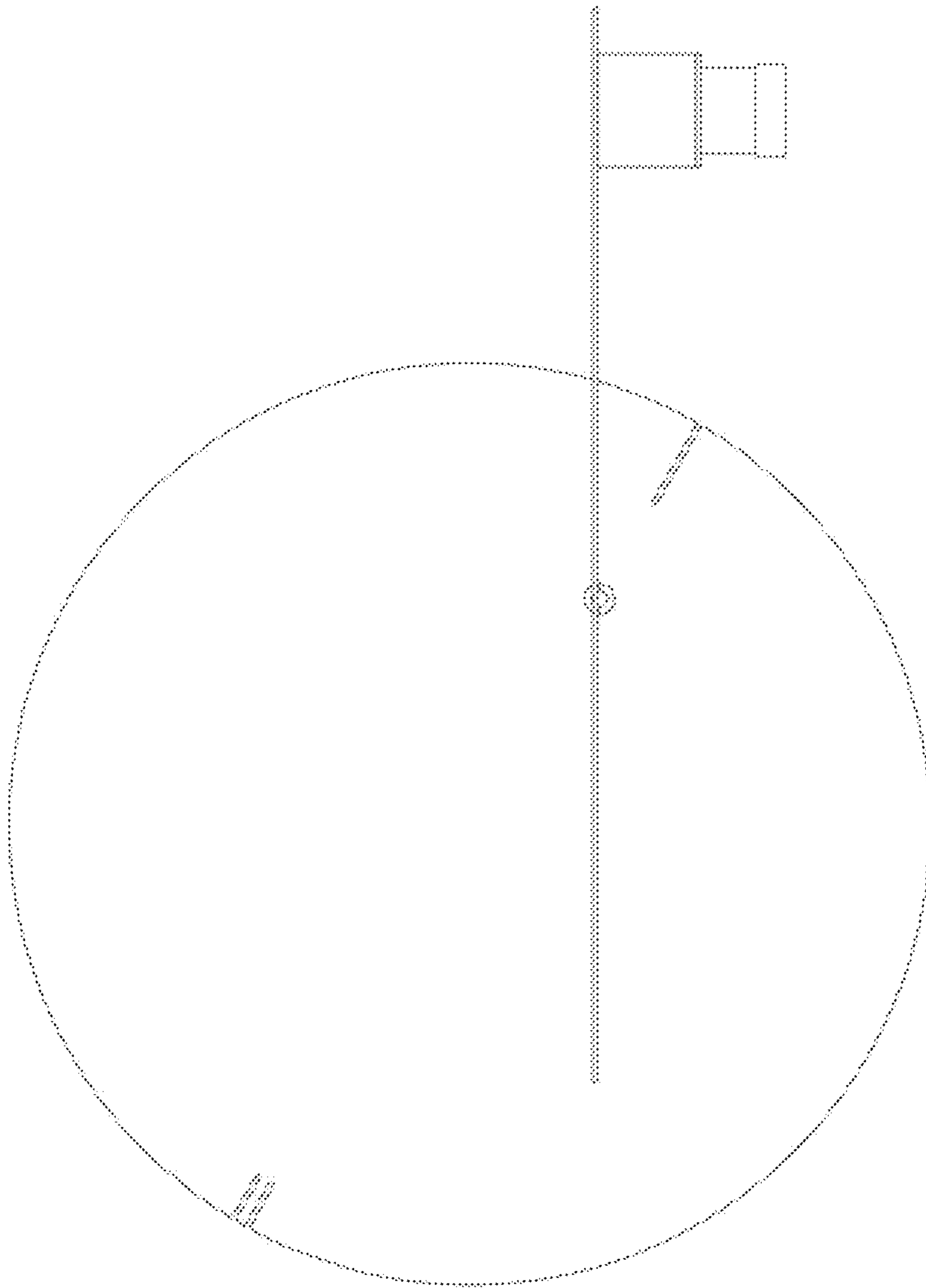
1.4



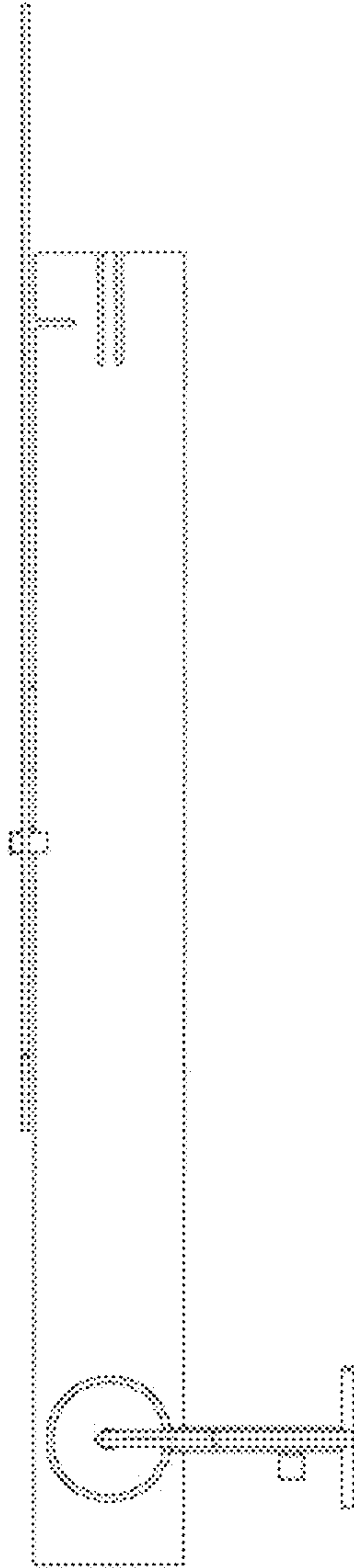
1.5



1.6



1.7



1.8