



US00D926342S

(12) **United States Design Patent** (10) **Patent No.:** **US D926,342 S**  
**Birtulescu et al.** (45) **Date of Patent:** **\*\* Jul. 27, 2021**

(54) **HEADLIGHT FOR MOTORCYCLE**  
(71) Applicant: **HONDA MOTOR CO., LTD.**, Tokyo (JP)  
(72) Inventors: **Edward Birtulescu**, Torrance, CA (US); **Yuki Kanemura**, Tokyo (JP); **Hideyuki Takahashi**, Tokyo (JP)  
(73) Assignee: **HONDA MOTOR CO., LTD.**, Tokyo (JP)

D822,238 S \* 7/2018 Deering ..... D26/28  
D848,651 S \* 5/2019 Ko ..... D26/36  
D849,288 S \* 5/2019 Redlich ..... D26/28  
D853,604 S \* 7/2019 Ting ..... D26/28  
D864,446 S \* 10/2019 Lai ..... D26/28  
D873,449 S \* 1/2020 Mill ..... D26/28  
D880,736 S \* 4/2020 Hu ..... D26/28  
D882,835 S \* 4/2020 Harriton ..... D26/28  
D898,241 S \* 10/2020 Sugiyama ..... D26/28  
D906,554 S \* 12/2020 Ferris ..... D26/28  
2019/0359118 A1 \* 11/2019 Spenner ..... B60Q 1/1423

\* cited by examiner

(\*\*) Term: **15 Years**

*Primary Examiner* — Angela J Lee

(21) Appl. No.: **29/695,163**

(74) *Attorney, Agent, or Firm* — Birch, Stewart, Kolasch & Birch, LLP

(22) Filed: **Jun. 17, 2019**

(51) **LOC (13) Cl.** ..... **26-06**

(57) **CLAIM**

(52) **U.S. Cl.**  
USPC ..... **D26/36**

The ornamental design for a headlight for motorcycle, as shown and described.

(58) **Field of Classification Search**  
USPC ..... D26/28, 29, 30, 31, 32, 33, 34, 35, 36, D26/44

**DESCRIPTION**

CPC ..... F21S 48/00; F21S 48/10; F21S 48/115; F21S 48/225; F21S 48/1233; F21S 48/1266; F21S 48/1388; F21S 48/2268; F21V 21/04; F21W 2103/35; F21W 3/40; F21W 2102/17; F21W 2102/30; F21W 2103/00; F21W 2103/55; F21W 2104/00; F21W 2107/17; F21W 2107/13  
See application file for complete search history.

FIG. 1 is a front right perspective view of a headlight for motorcycle.  
FIG. 2 is a front left perspective view thereof.  
FIG. 3 is a front view thereof.  
FIG. 4 is a right side elevation view thereof.  
FIG. 5 is a left side elevation view thereof.  
FIG. 6 is top plan view thereof; and,  
FIG. 7 is a bottom plan view thereof.

(56) **References Cited**

**U.S. PATENT DOCUMENTS**

The portions of the drawings illustrated in broken lines are directed to the environment and form no part of the claimed design.

D601,727 S \* 10/2009 Huang ..... D26/28  
D747,517 S \* 1/2016 Lai ..... D26/28

**1 Claim, 7 Drawing Sheets**

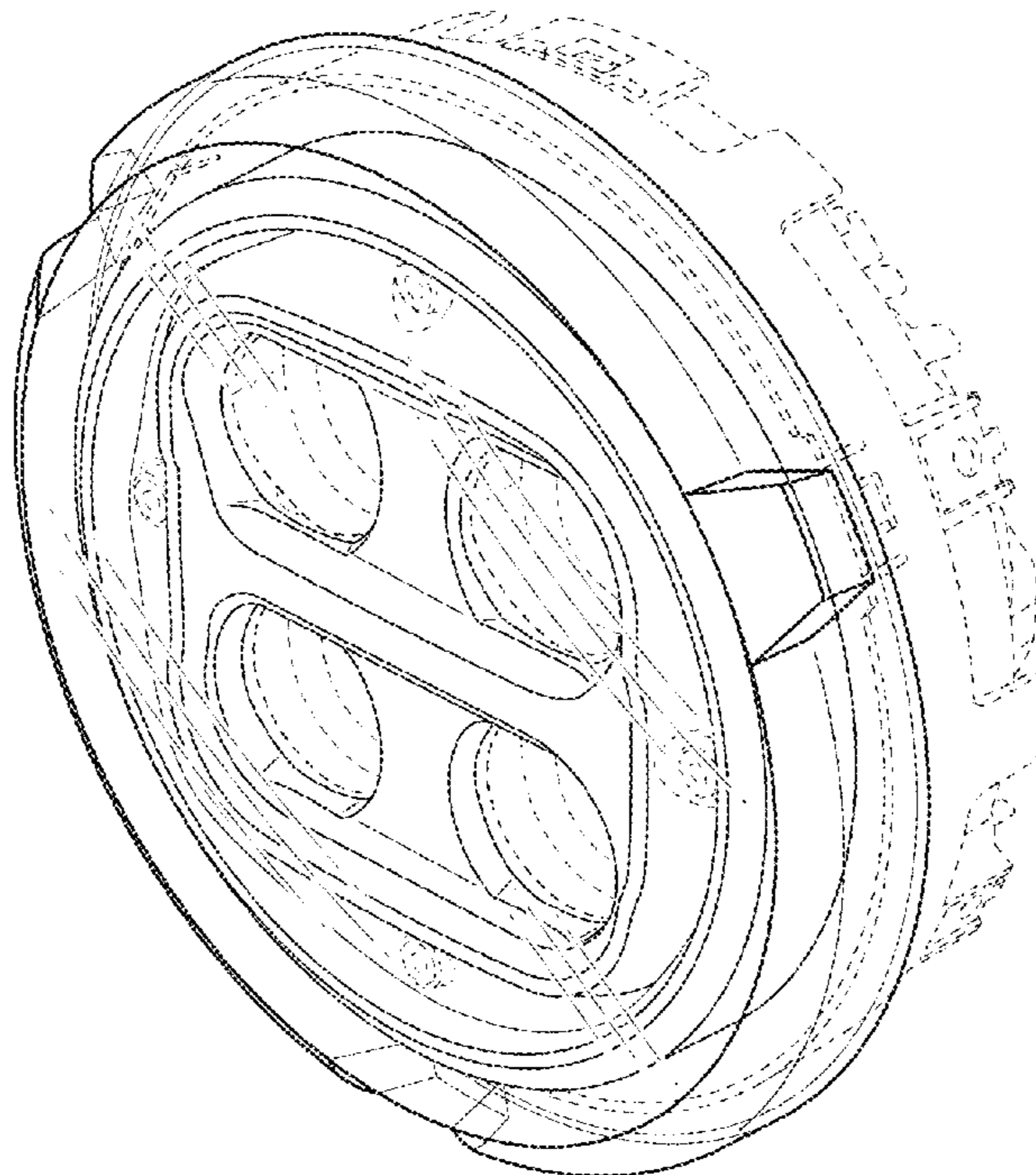


FIG. 1

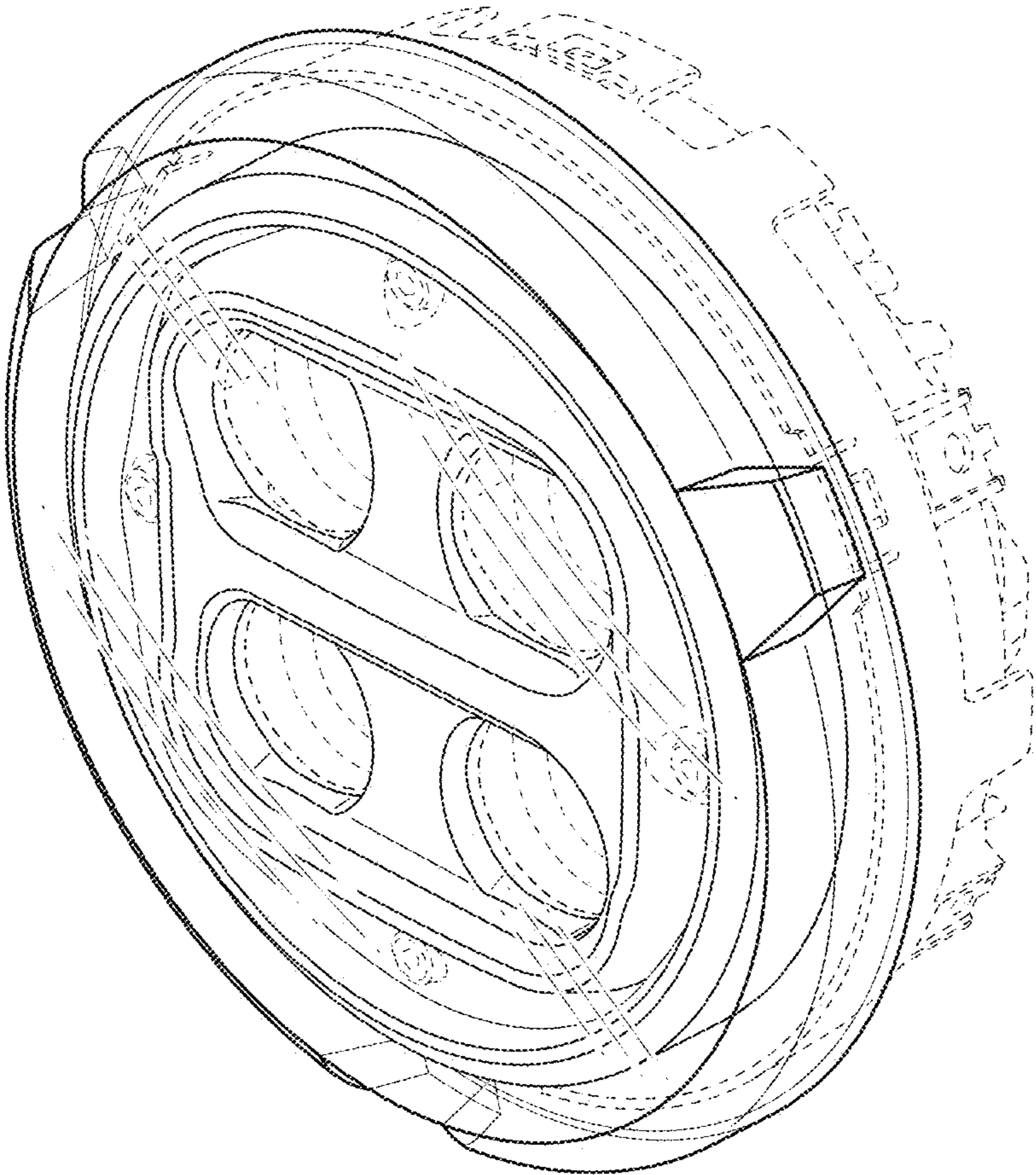


FIG. 2

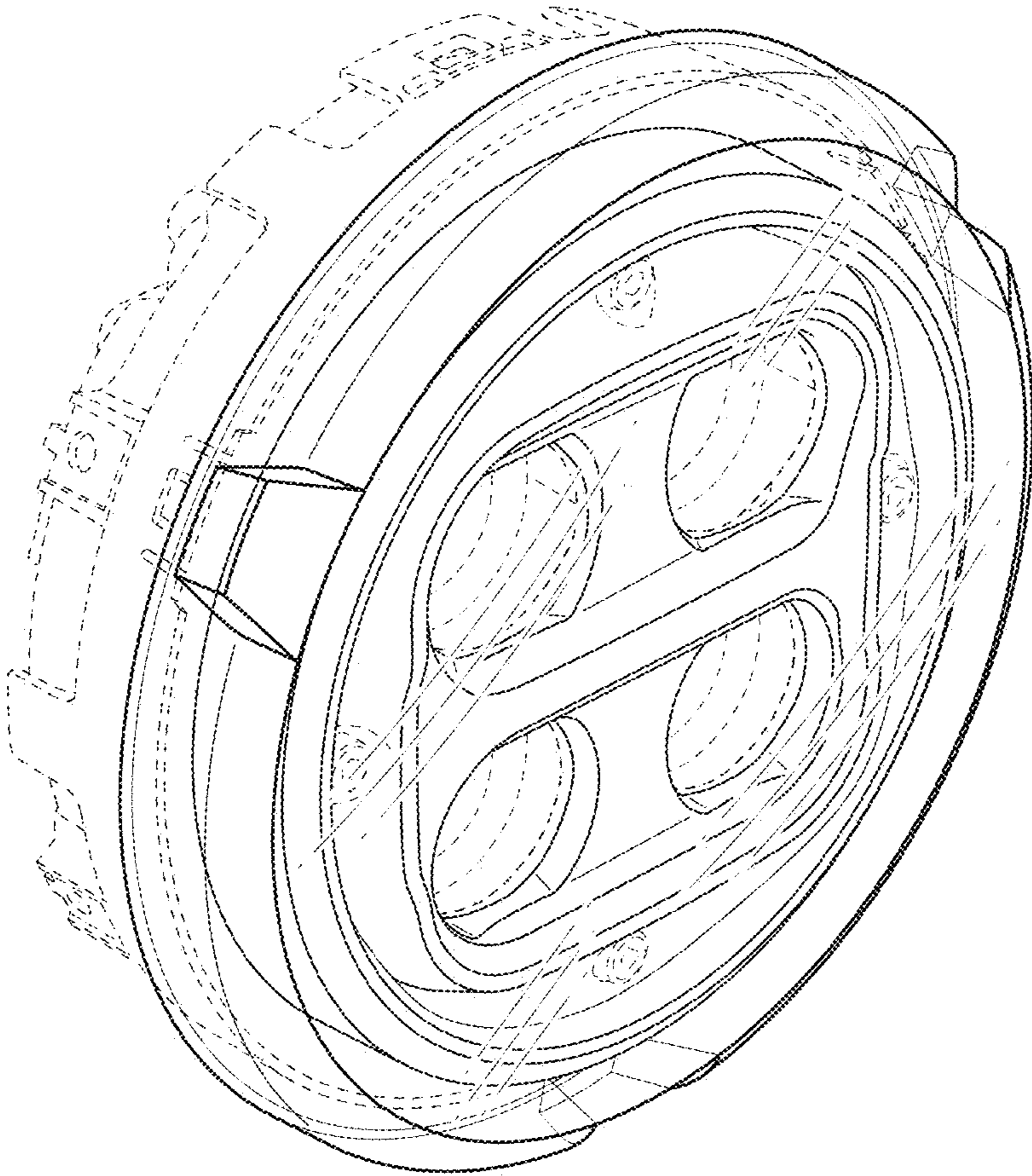


FIG. 3

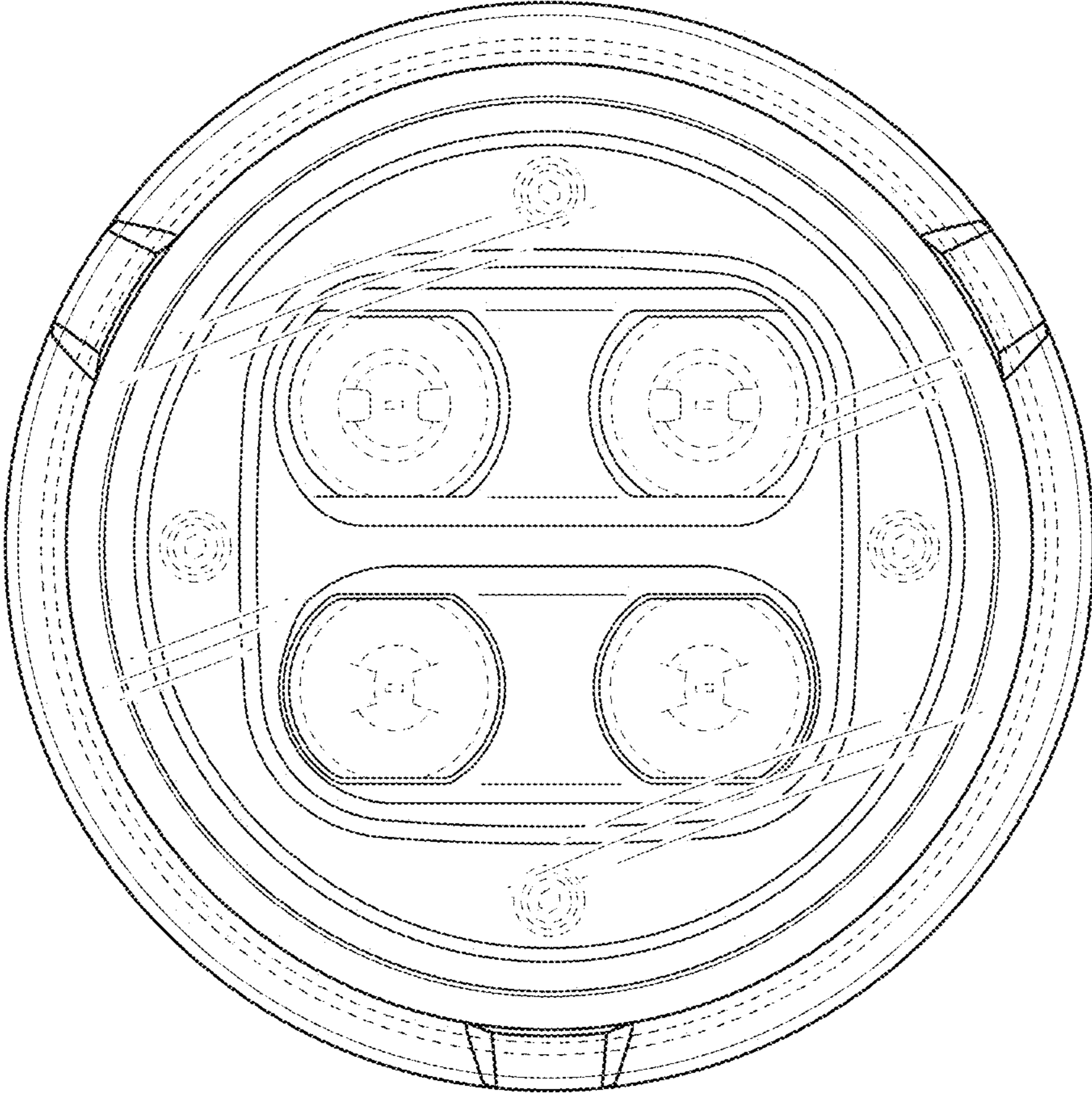


FIG. 4

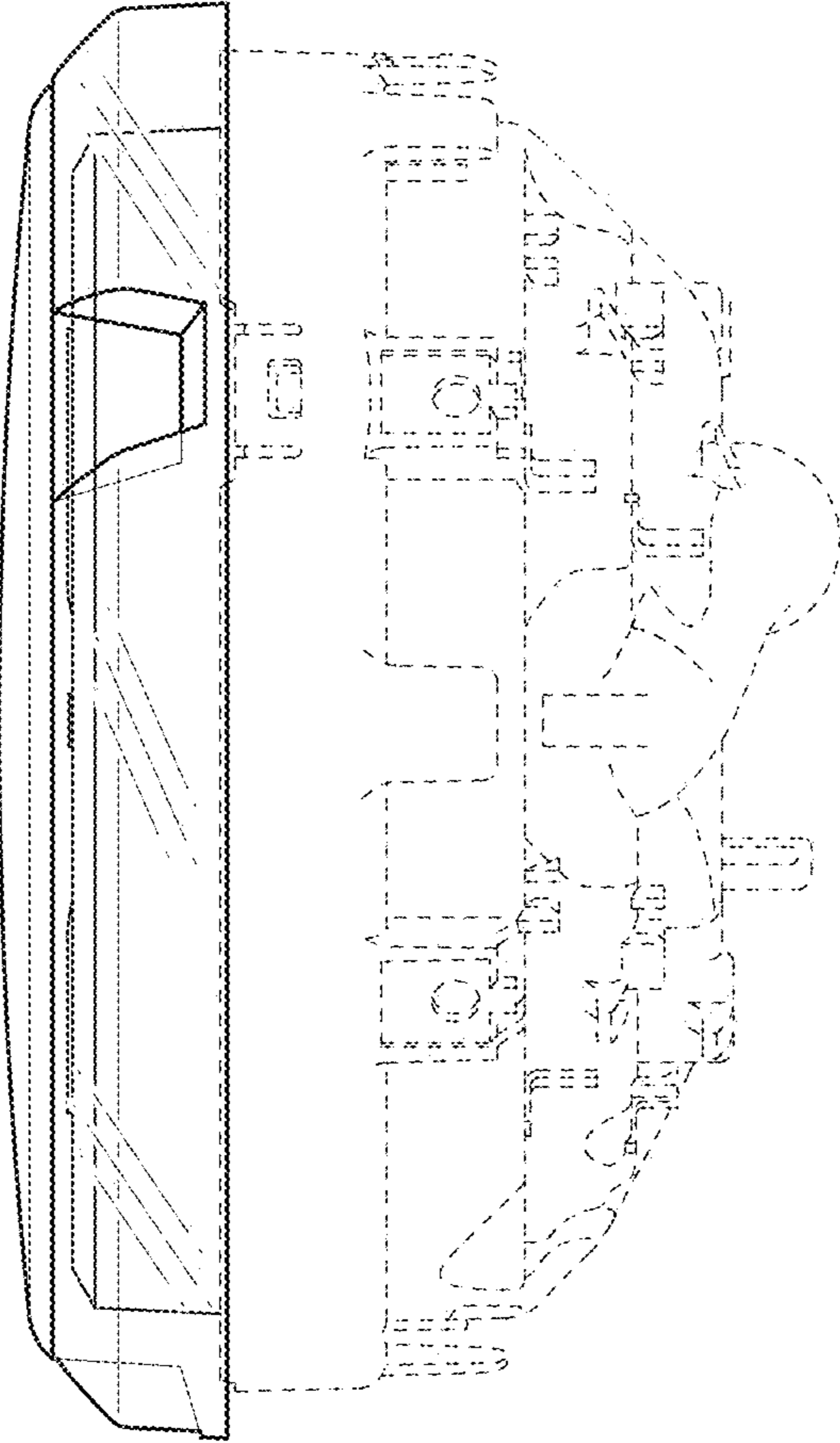


FIG. 5

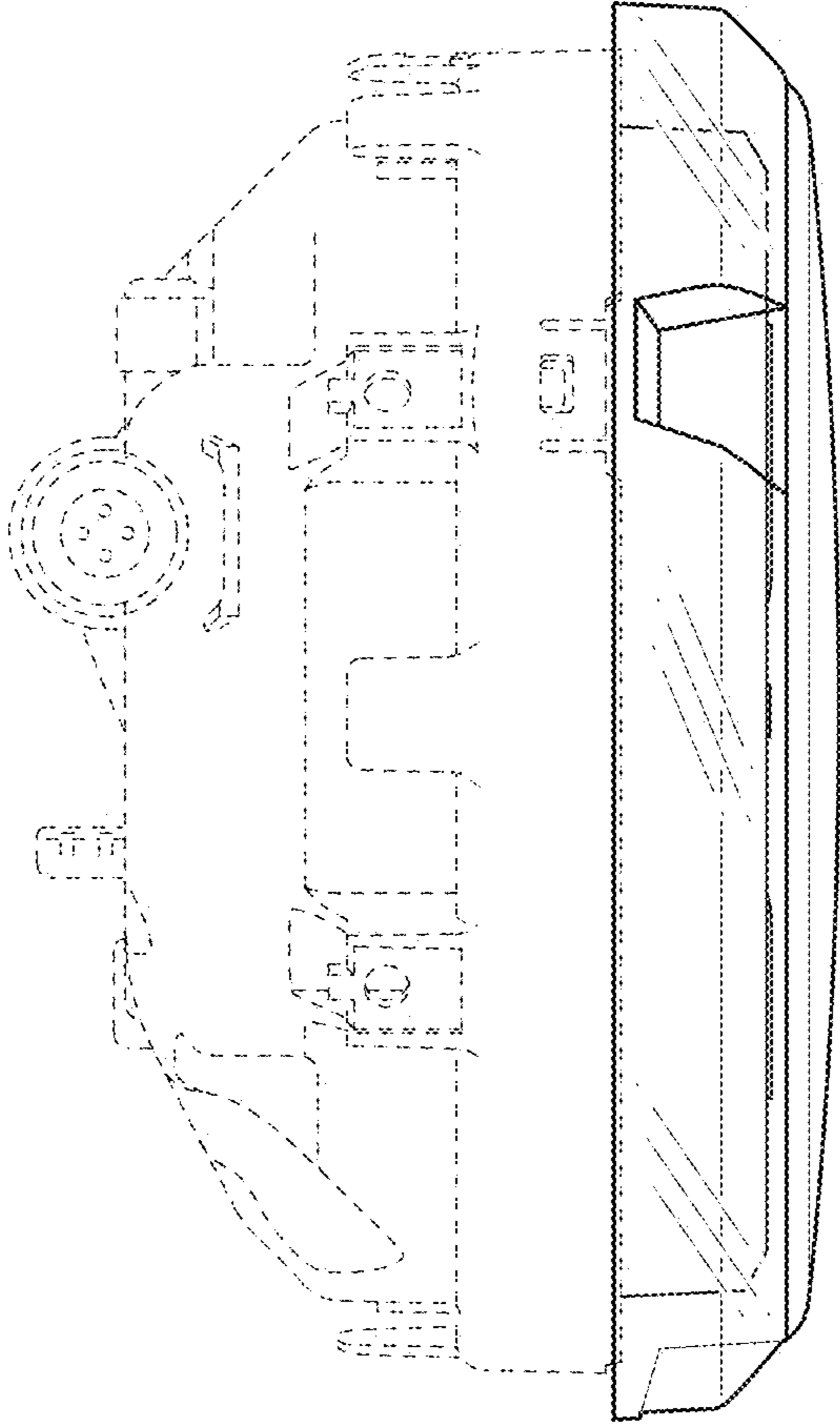


FIG. 6

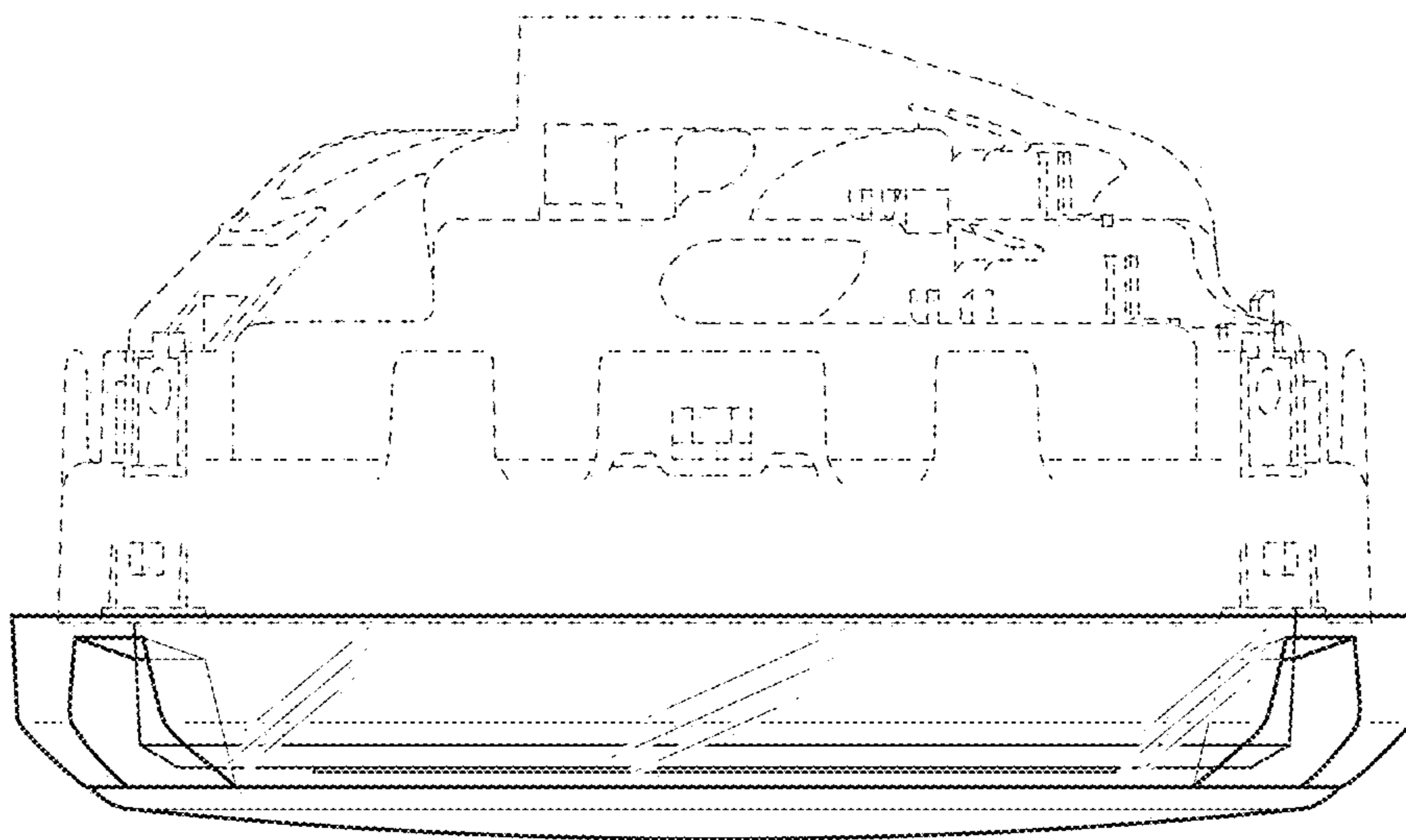


FIG. 7

