



US00D926341S

(12) **United States Design Patent** (10) **Patent No.:** **US D926,341 S**
Chen (45) **Date of Patent:** **** Jul. 27, 2021**

(54) **VEHICLE REAR LAMP**
(71) Applicant: **Yong Chen**, Zhenjiang (CN)
(72) Inventor: **Yong Chen**, Zhenjiang (CN)
(**) Term: **15 Years**
(21) Appl. No.: **29/756,438**
(22) Filed: **Oct. 28, 2020**
(30) **Foreign Application Priority Data**
Jul. 13, 2020 (CN) 202030375859.7

D547,472 S 7/2007 Tant
D548,374 S 8/2007 Lassen
D548,377 S 8/2007 Markefka
D566,868 S * 4/2008 Opfer D26/28
D622,425 S * 8/2010 Bucher D26/28
D643,955 S 8/2011 Tsai
D675,758 S 2/2013 Adams
D703,847 S * 4/2014 MacKay D26/28
D704,365 S 5/2014 Adams
D713,075 S 9/2014 Lee
D715,469 S 10/2014 Chou
D716,477 S 10/2014 Chu
D718,478 S 11/2014 Adams
D731,099 S * 6/2015 Thole D26/28
D733,945 S 7/2015 Kennemer
D738,019 S 9/2015 Lin

(Continued)

(51) **LOC (13) Cl.** **26-06**
(52) **U.S. Cl.**
USPC **D26/28**
(58) **Field of Classification Search**
USPC D26/28-36, 139
CPC F21S 48/00; F21S 48/10; F21S 48/115;
F21S 48/225; F21S 48/1233; F21S
48/1266; F21S 48/1388; F21S 48/2268;
F21V 5/00; F21V 21/04; F21V 29/004;
B60Q 9/13; B60Q 9/135; B60Q 9/1375
See application file for complete search history.

Primary Examiner — Marcus A Jackson
(74) *Attorney, Agent, or Firm* — Quickpatents, LLC;
Kevin Prince

(57) **CLAIM**

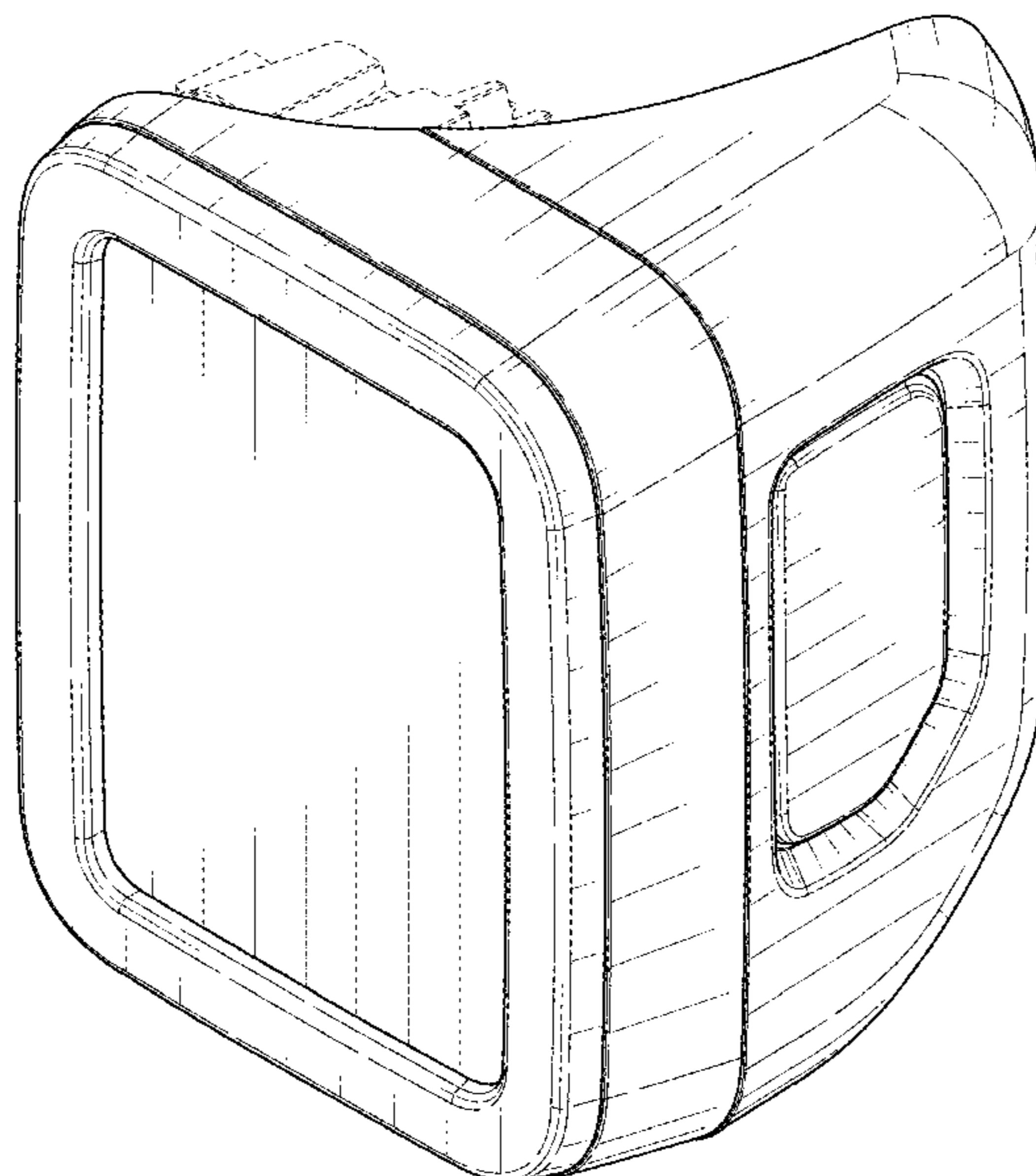
The ornamental design for a vehicle rear lamp, as shown and described.

DESCRIPTION

FIG. 1 is a top, right, front perspective view of a vehicle rear lamp, showing my new design;
FIG. 2 is a bottom, right, front perspective view thereof;
FIG. 3 is a front elevational view thereof;
FIG. 4 is a right-side elevational view thereof;
FIG. 5 is a rear elevational view thereof;
FIG. 6 is a top plan view thereof;
FIG. 7 is a left-side elevational view thereof;
FIG. 8 is a bottom plan view thereof;
FIG. 9 is a bottom, rear perspective view thereof;
FIG. 10 is a top, rear perspective view thereof; and
FIG. 11 is a left, rear perspective view thereof.
The broken lines in the figures depict portions of the vehicle rear lamp that form no part of the claimed design.

(56) **References Cited**
U.S. PATENT DOCUMENTS
D244,714 S 6/1977 Ross
D255,278 S 6/1980 Alzman
D372,317 S 7/1996 Kijima
D443,084 S 5/2001 Nagano
D448,872 S 10/2001 Clarke
D451,216 S 11/2001 Huffman
6,698,912 B2 3/2004 Yang
D489,466 S 5/2004 Dohogne
D492,047 S 6/2004 Dohogne
D510,635 S 10/2005 Rogers
D518,200 S * 3/2006 Honda D26/28
D530,437 S 10/2006 Neufeglise

1 Claim, 11 Drawing Sheets



(56)

References Cited

U.S. PATENT DOCUMENTS

D749,246 S	*	2/2016	Thole	D26/28	D839,458 S	1/2019	Ting
D750,294 S		2/2016	Wolff		D840,067 S	2/2019	Ding
D761,458 S	*	7/2016	Chung	D26/28	D843,620 S	3/2019	LaMarche
D761,482 S		7/2016	Largent		D850,670 S	6/2019	Lai
D765,280 S		8/2016	Lai		D851,297 S	6/2019	Dennis
D765,287 S		8/2016	Kosugi		D857,263 S	8/2019	Goodrich
D769,491 S		10/2016	Lai		D857,264 S	8/2019	Goodrich
D770,652 S		11/2016	Lai		D861,204 S	9/2019	Chi
D772,450 S		11/2016	Ma		D862,753 S	10/2019	Lin
D778,470 S		2/2017	Ito		D863,613 S	10/2019	Korpi
D785,824 S		5/2017	Svensson		D863,615 S	10/2019	Renvall
D788,958 S		6/2017	Ko		D863,616 S	10/2019	Renvall
D790,745 S	*	6/2017	Lai	D26/28	D863,617 S	10/2019	Lindholm
D793,592 S		8/2017	Chen		D866,818 S	11/2019	Lindholm
D796,096 S		8/2017	Rudwal		D867,629 S	11/2019	Renvall
D799,078 S		10/2017	Liu		D868,317 S	11/2019	Lin
D815,318 S		4/2018	LaMarche		D874,033 S	1/2020	Park Cheng
D818,158 S		5/2018	Zipfel		D874,695 S	2/2020	Grabowski
D822,240 S		7/2018	Liu		D877,376 S	3/2020	Cheng
D827,167 S		8/2018	Deyaf		D886,338 S	6/2020	Wu
D828,591 S		9/2018	Wu		D887,044 S	6/2020	Lin
D832,475 S		10/2018	Ko		D888,998 S	6/2020	Wu
D833,655 S		11/2018	Ko		D893,779 S	8/2020	Jeong
D838,021 S		1/2019	Chi		D894,452 S	8/2020	Jeong
					D896,407 S	9/2020	Luo
					D896,415 S	9/2020	Lin

* cited by examiner

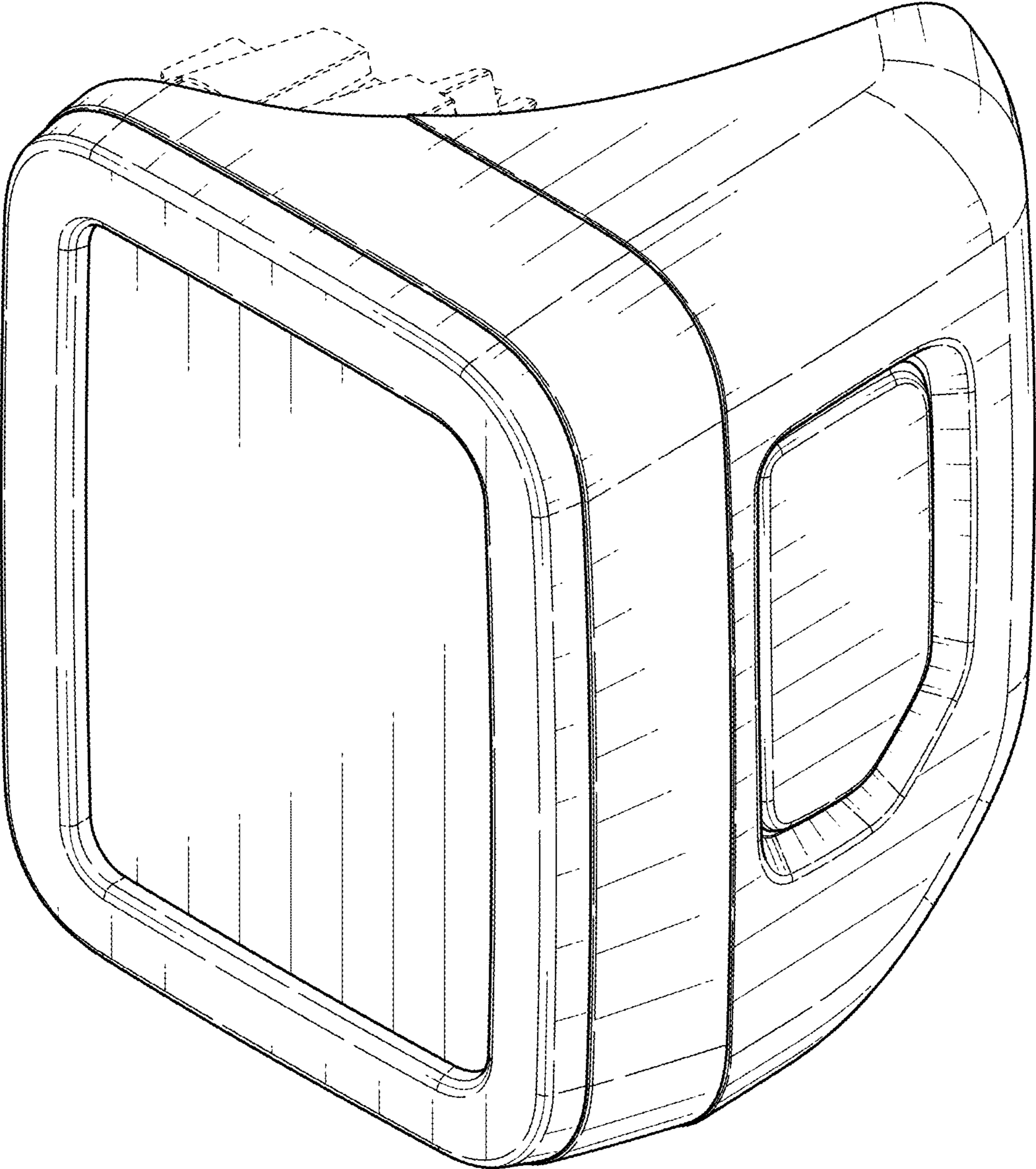


FIG. 1

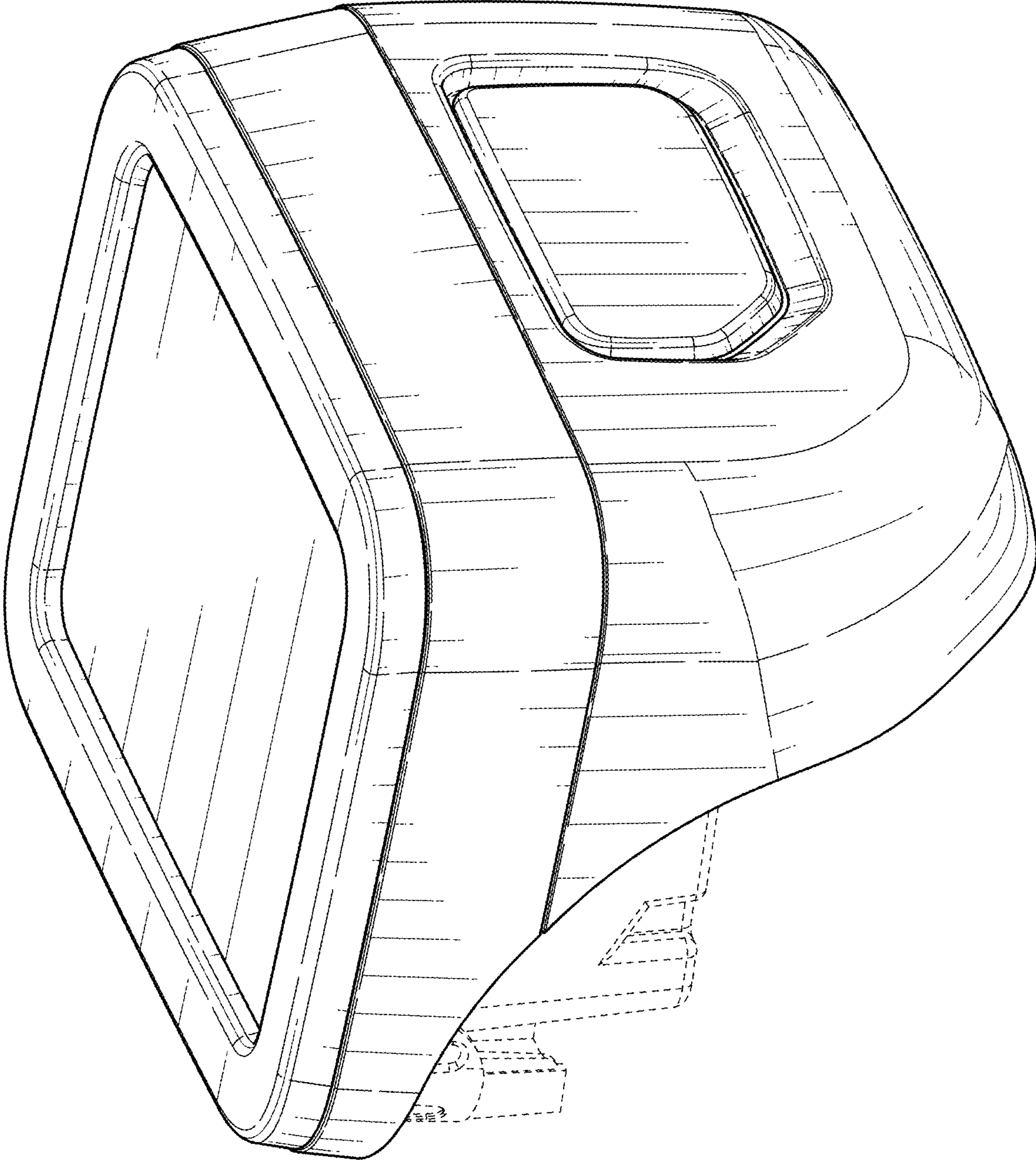


FIG. 2

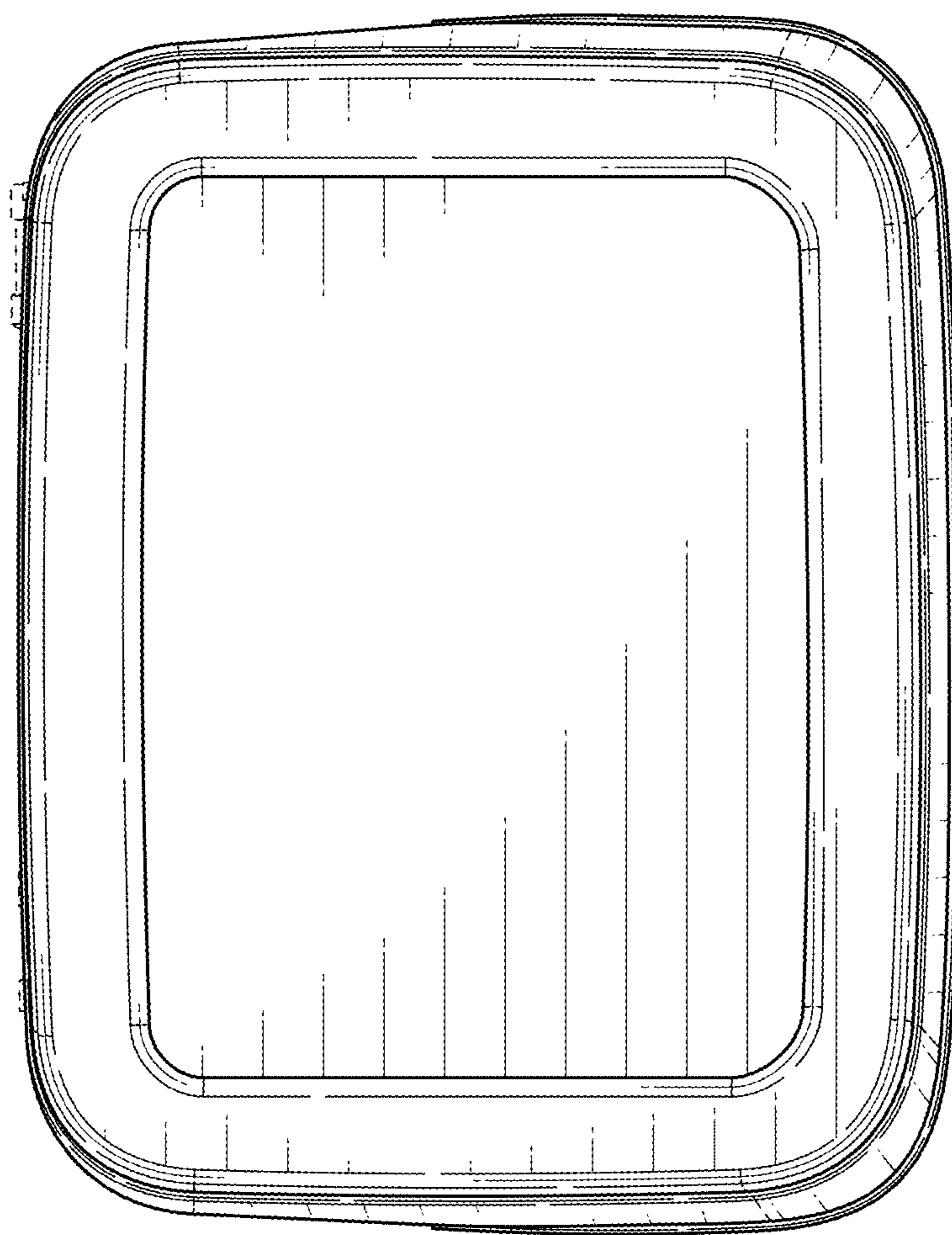


FIG. 3

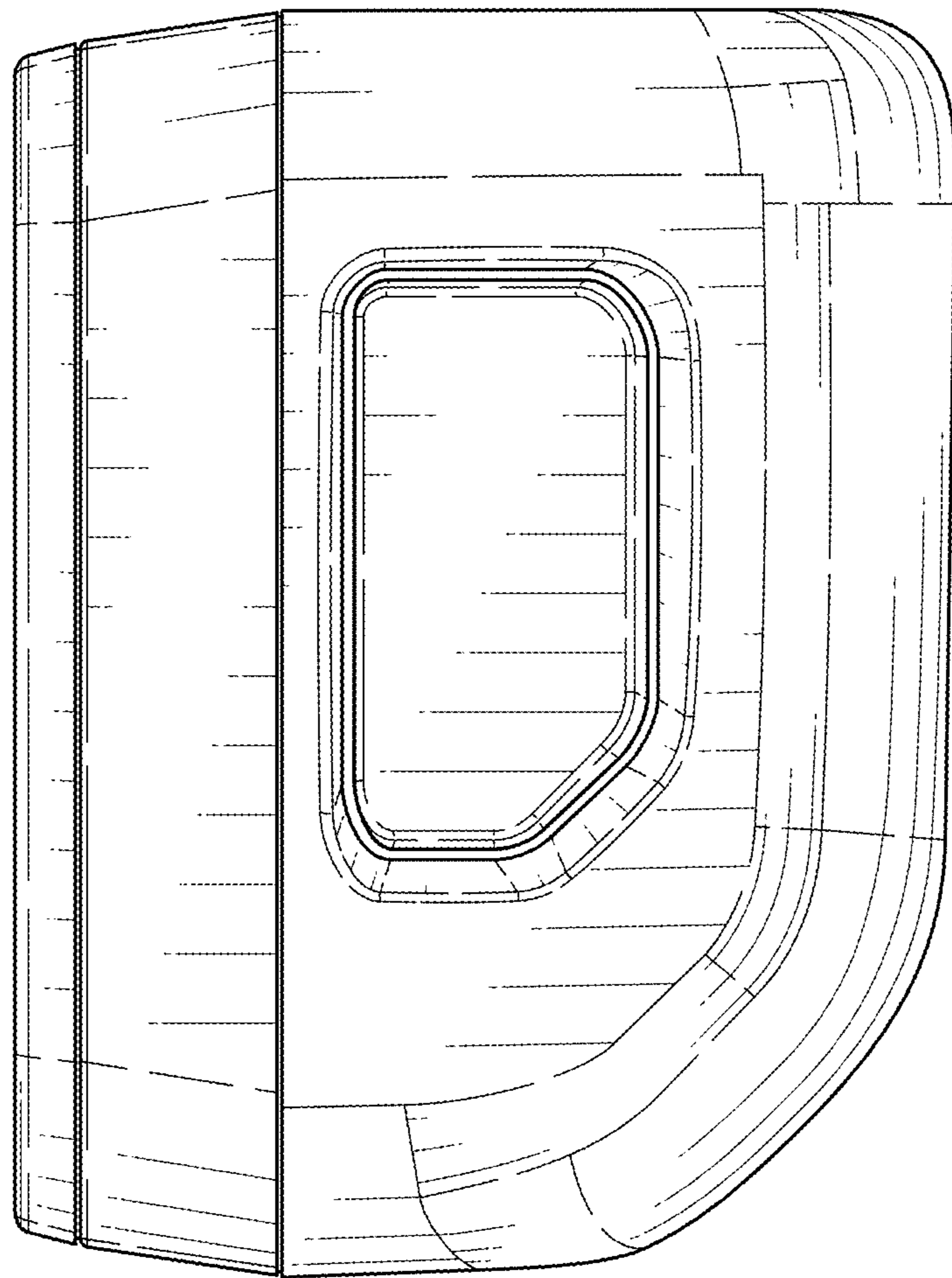


FIG. 4

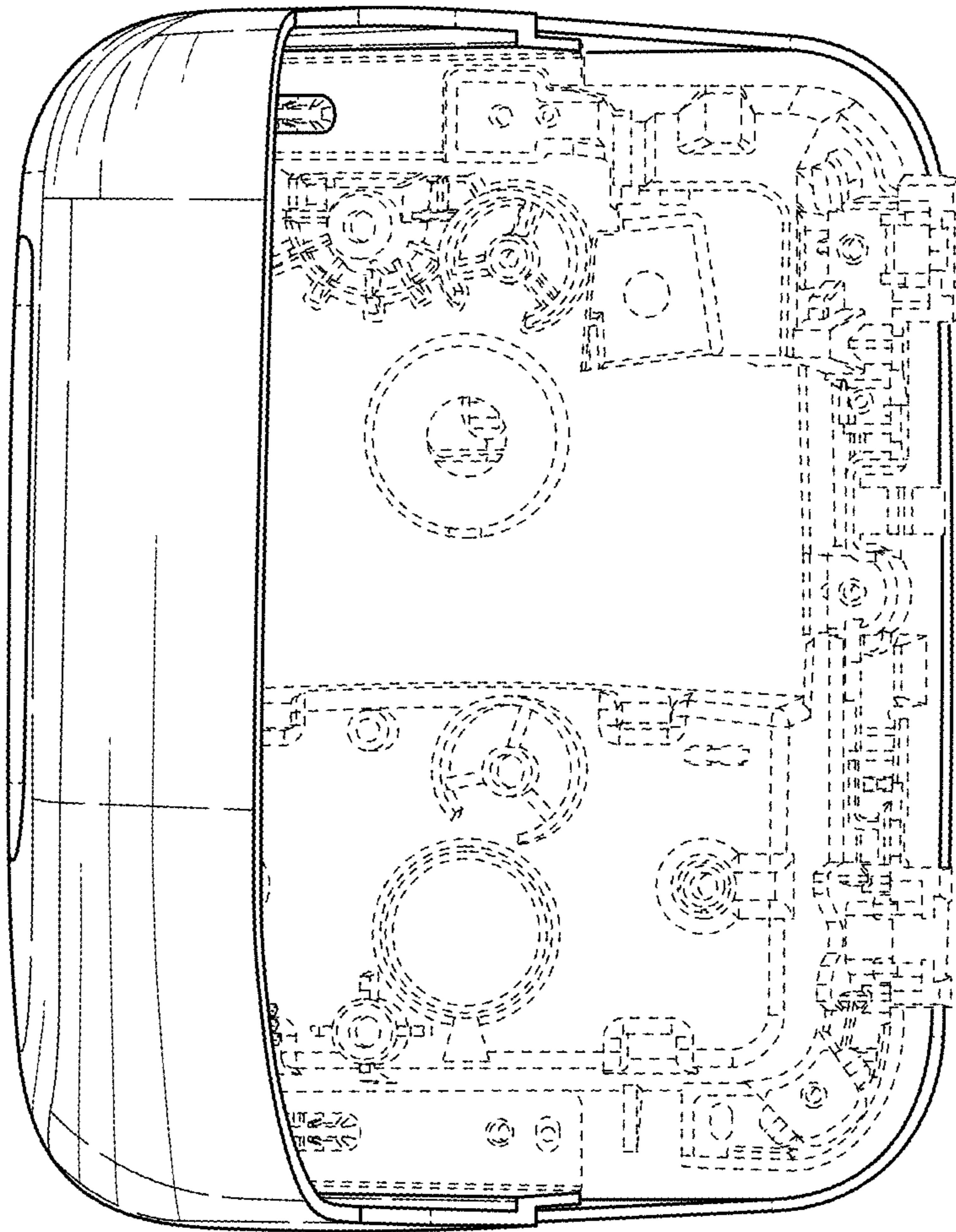


FIG. 5

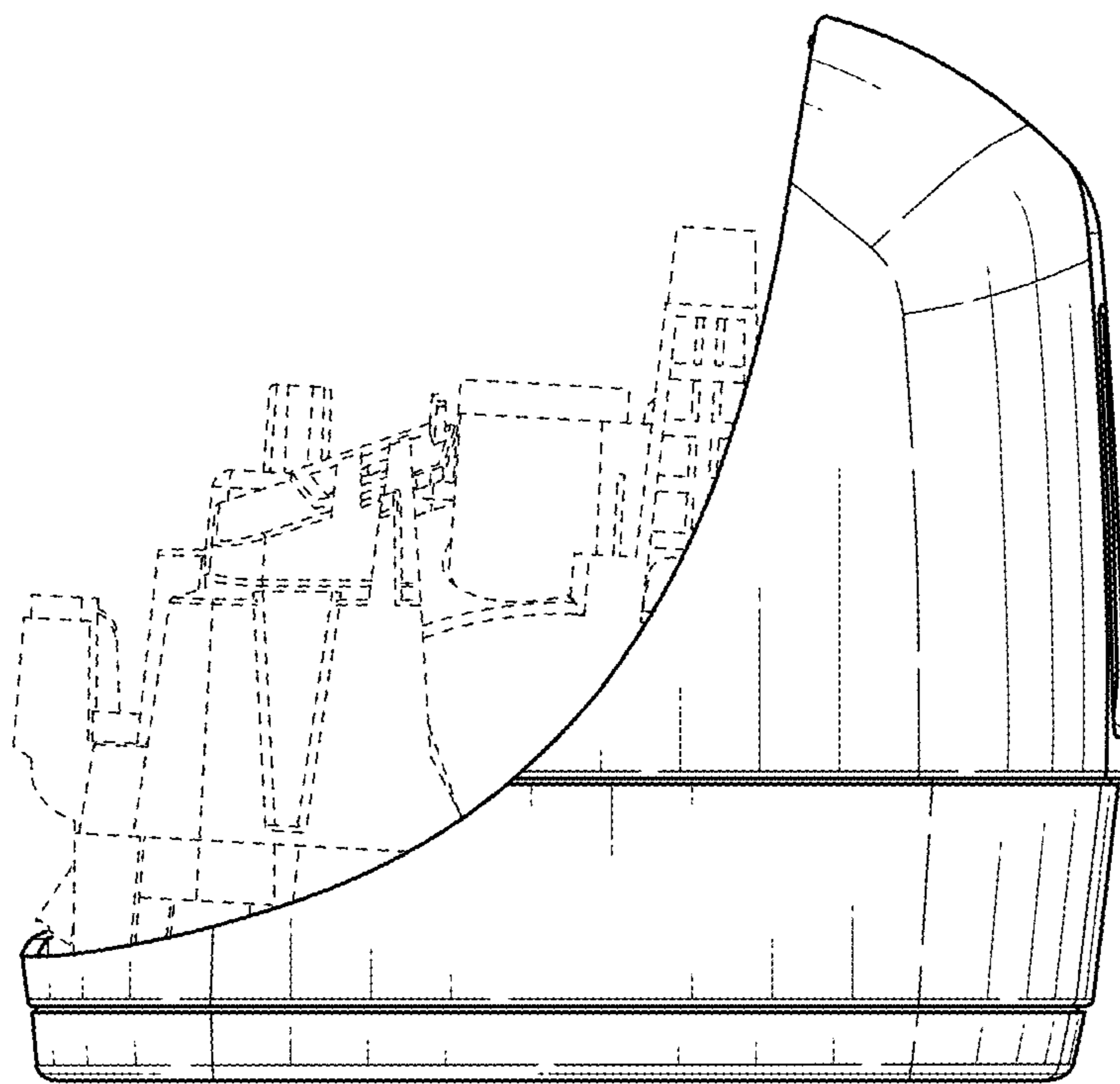


FIG. 6

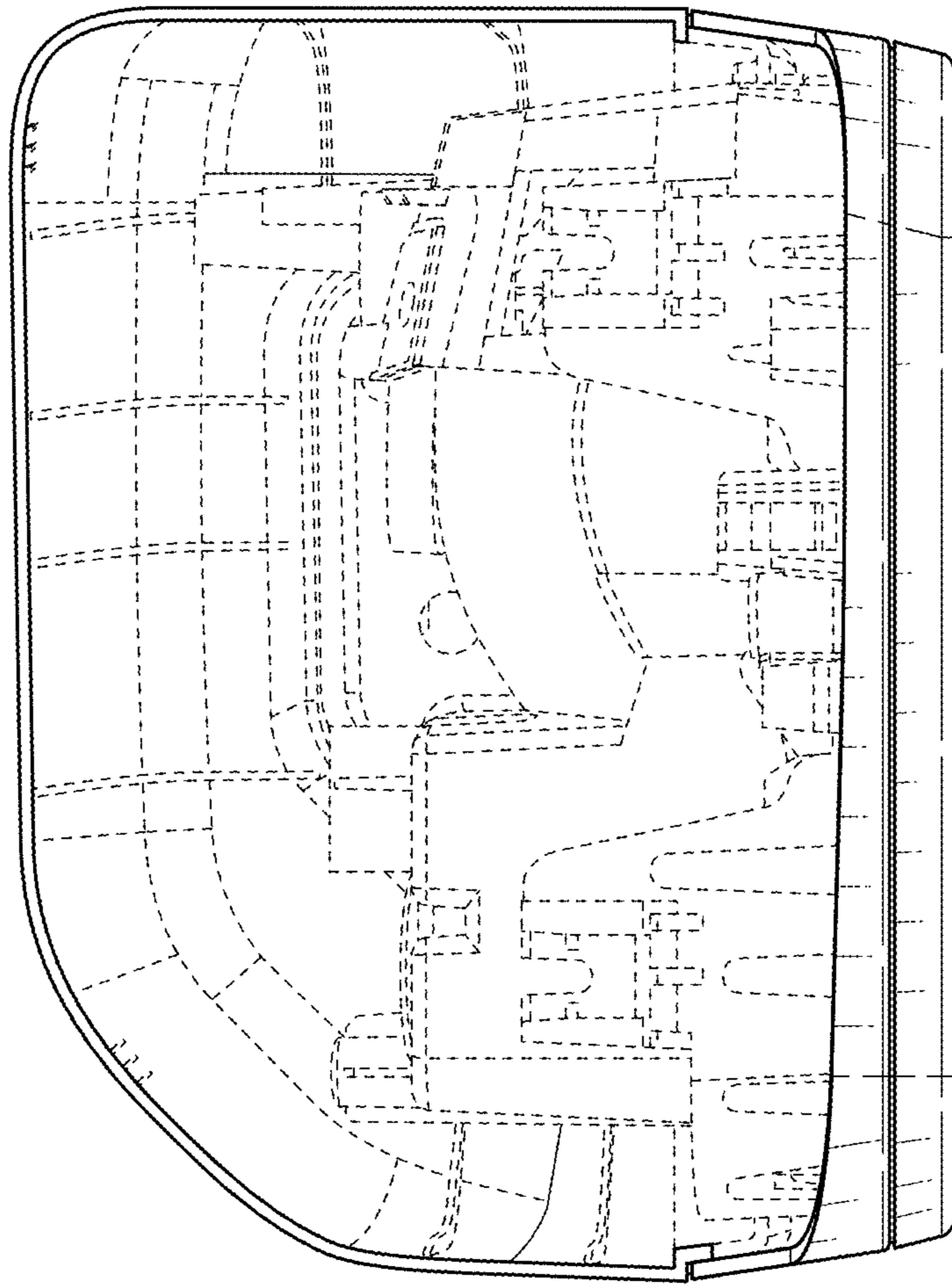


FIG. 7

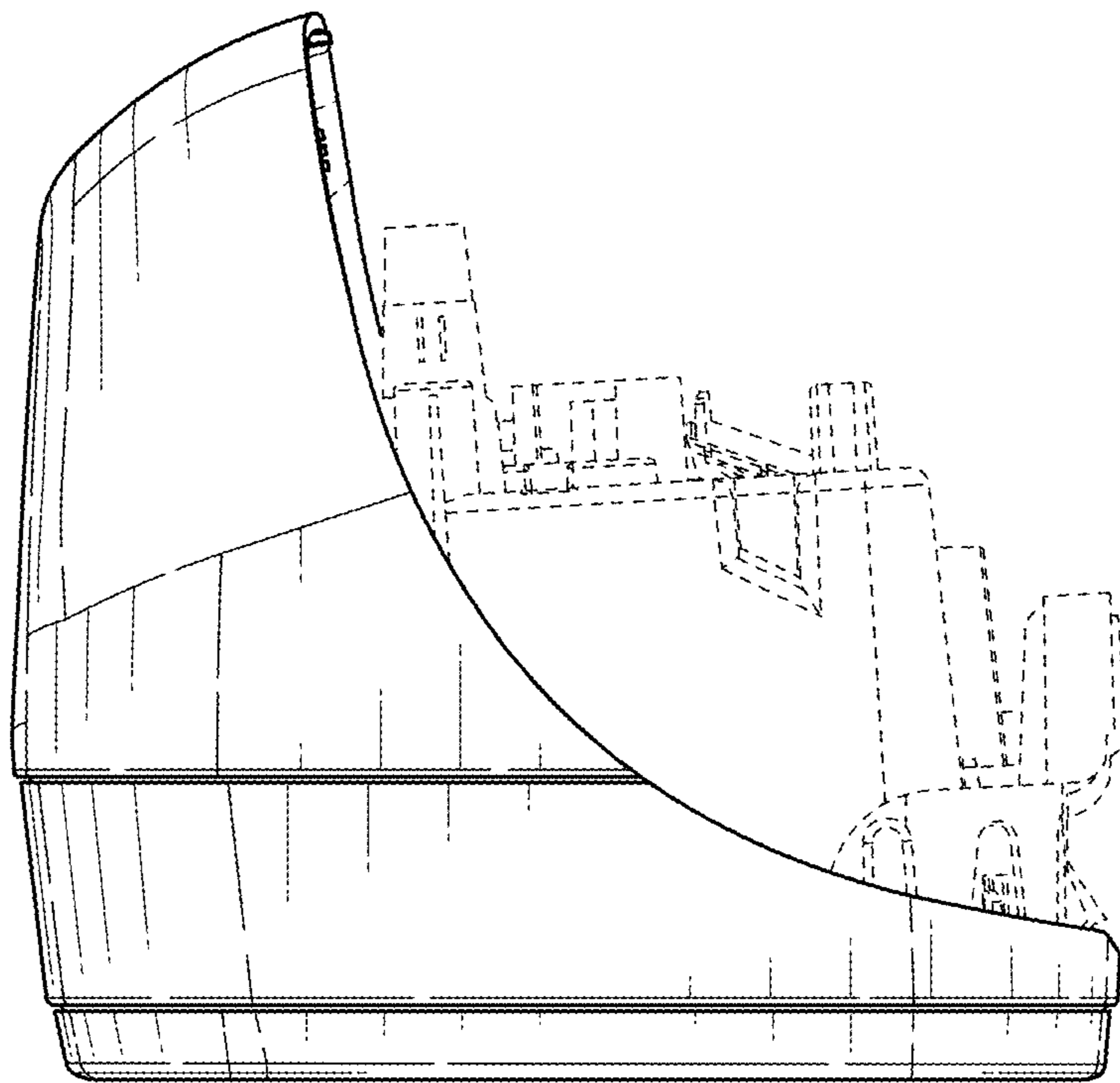


FIG. 8

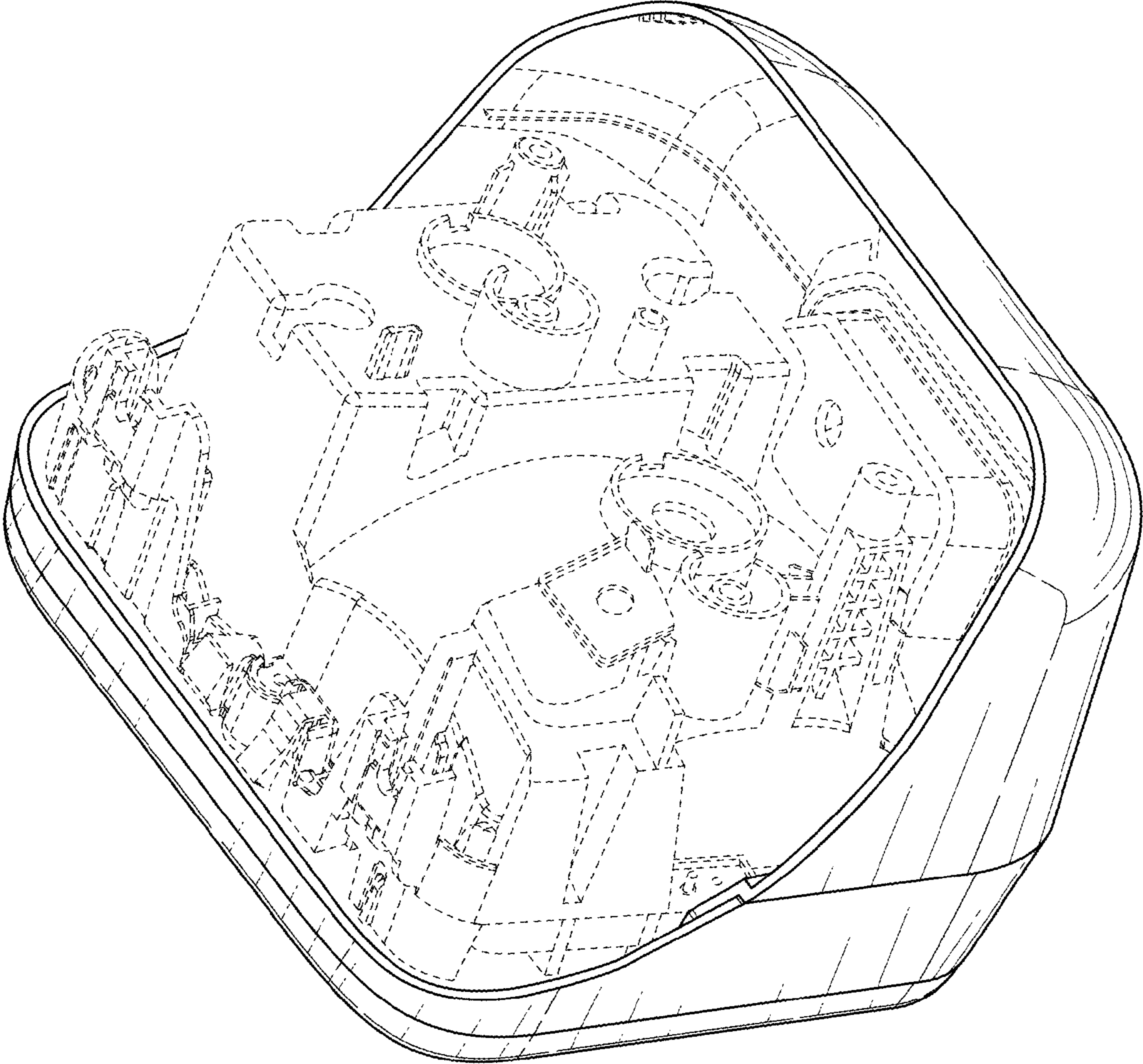


FIG. 9

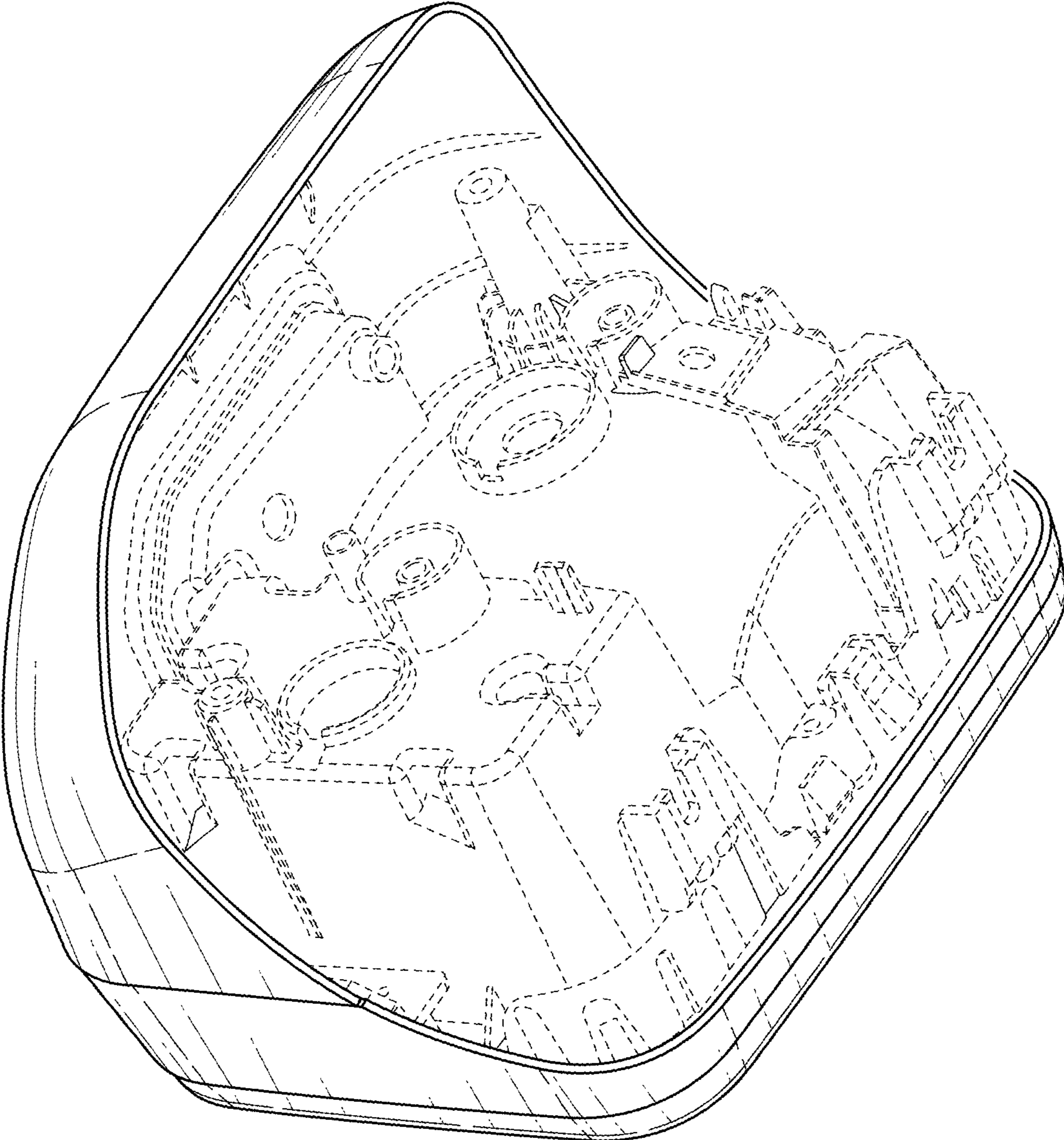


FIG. 10

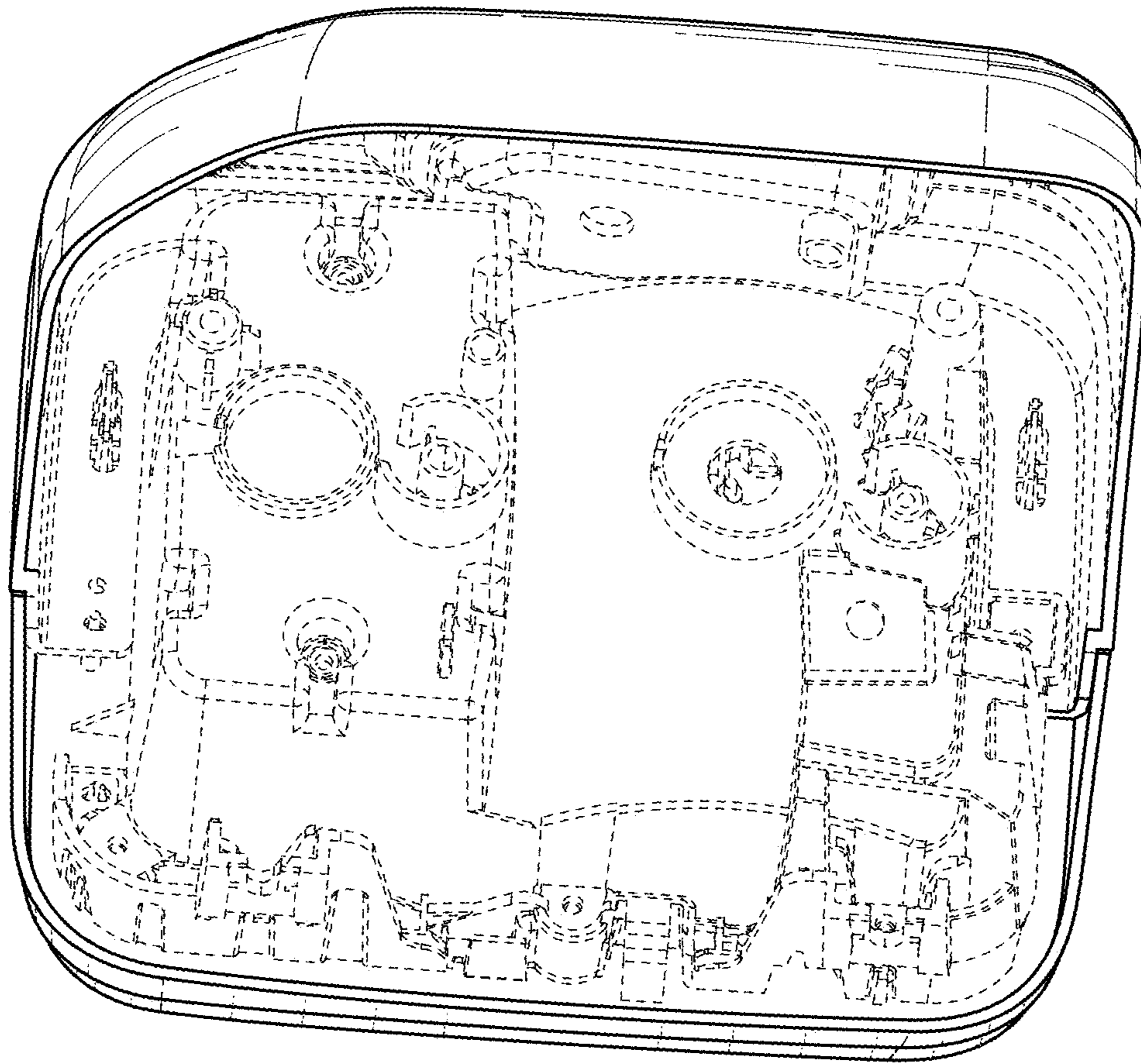


FIG. 11