



US00D926337S

(12) **United States Design Patent**  
**Wang**

(10) **Patent No.:** **US D926,337 S**  
(45) **Date of Patent:** **\*\* Jul. 27, 2021**

(54) **MASSAGER**

(71) Applicant: **Shenzhen Violet Intelligent Communication Co., Ltd., Shenzhen (CN)**

(72) Inventor: **Yin Wang, Shenzhen (CN)**

(73) Assignee: **Shenzhen Violet Intelligent Communication Co., Ltd., Shenzhen (CN)**

(\*\*) Term: **15 Years**

(21) Appl. No.: **29/718,036**

(22) Filed: **Dec. 20, 2019**

(30) **Foreign Application Priority Data**

Dec. 12, 2019 (CN) ..... 201930695357.X

(51) **LOC (13) Cl.** ..... **28-03**

(52) **U.S. Cl.**  
USPC ..... **D24/215**

(58) **Field of Classification Search**  
USPC ..... D24/215, 200, 211, 212, 213, 214, 133, D24/188, 107, 231  
CPC ..... A61H 19/00; A61H 19/30; A61H 19/34; A61H 19/44; A61H 23/00; A61H 2023/002; A61H 23/008; A61H 9/00; A61H 9/0007; A61H 9/0057; A61H 7/00; A61H 7/001; A61H 7/003; A61H 7/004; A61H 7/005; A61H 7/007; A61H 1/00; A61H 2205/087; A61H 2205/022; A61H 2201/0153; A61H 2201/1253

See application file for complete search history.

(56) **References Cited**

**U.S. PATENT DOCUMENTS**

D315,408 S \* 3/1991 Duk ..... D24/211  
D649,656 S \* 11/2011 Petersen ..... D24/215

D674,109 S \* 1/2013 Sedic ..... D24/215  
D681,842 S \* 5/2013 Chang ..... D24/215  
D802,784 S \* 11/2017 Lee ..... D24/215  
D844,801 S \* 4/2019 Cheung ..... D24/215  
D874,676 S \* 2/2020 Song ..... D24/215  
2014/0194794 A1 \* 7/2014 Sedic ..... A61H 23/02  
601/72  
2018/0078449 A1 \* 3/2018 Callow ..... A61H 19/00

**OTHER PUBLICATIONS**

CHARMING Handheld Wand Massager. Date: Nov. 2, 2018. [online]. [Site visited Apr. 30, 2021], Available from Internet URL: <https://www.amazon.com/dp/B07K5735HV/> (Year: 2018).  
Doxy Wand Massager. Date: Dec. 14, 2019. [online]. [Site visited May 11, 2021], Available from Internet URL: <https://www.amazon.co.uk/dp/B082R2LNJC/> (Year: 2019).\*

(Continued)

*Primary Examiner* — Susan Bennett Hattan

*Assistant Examiner* — Landon Thomas Cassell

(74) *Attorney, Agent, or Firm* — Westbridge IP LLC

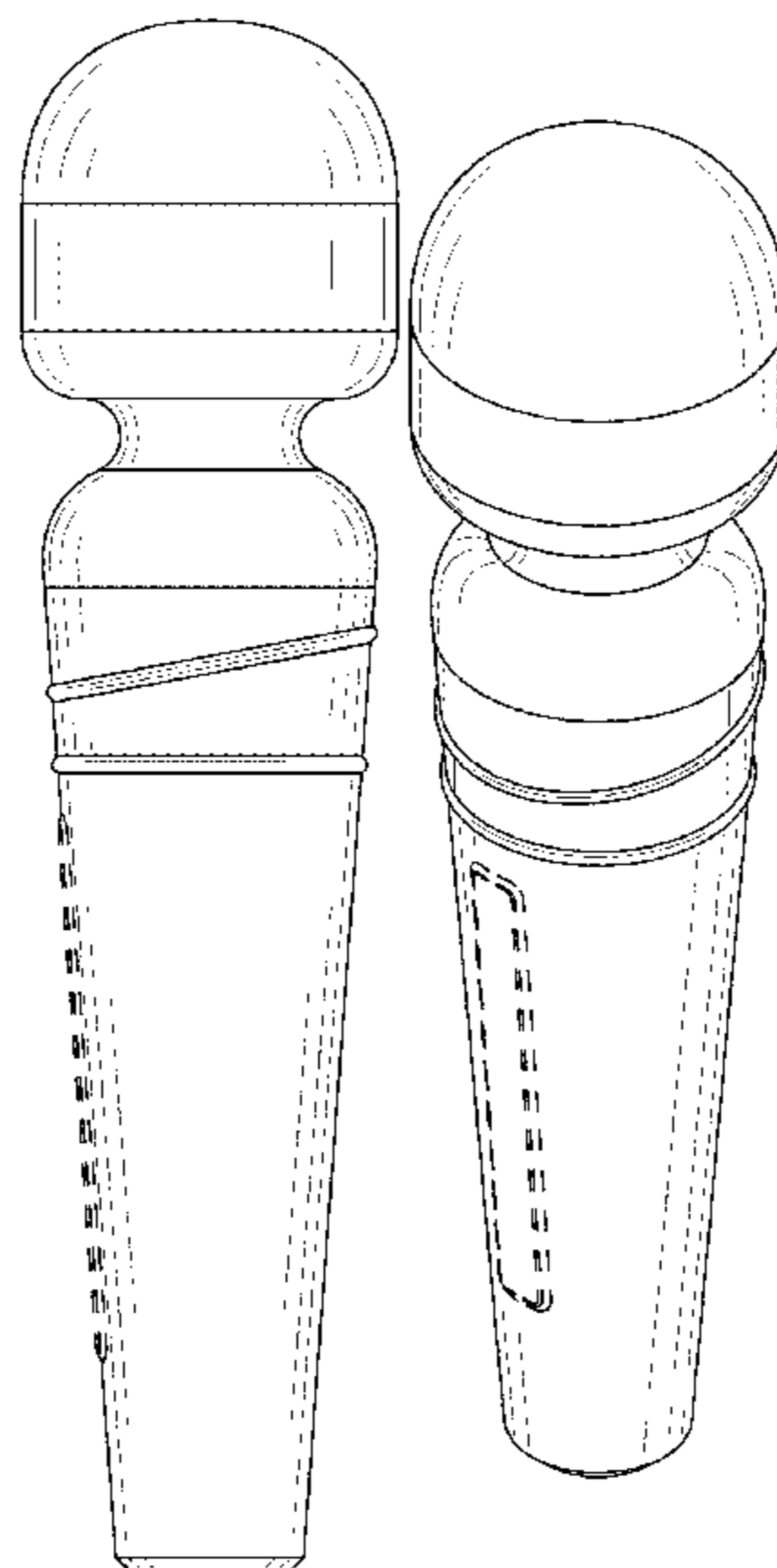
(57) **CLAIM**

The ornamental design for a massager, as shown and described.

**DESCRIPTION**

FIG. 1 is a front elevational view of a massager showing my new design;  
FIG. 2 is a rear elevational view thereof;  
FIG. 3 is a left side view thereof;  
FIG. 4 is a right side view thereof;  
FIG. 5 is a top plan view thereof;  
FIG. 6 is a bottom plan view thereof;  
FIG. 7 is a front, right, top perspective view thereof; and,  
FIG. 8 is a rear, left, bottom perspective view thereof.  
The evenly broken lines in the drawings illustrate portions of the massager that form no part of the claimed design.

**1 Claim, 8 Drawing Sheets**



(56)

**References Cited**

OTHER PUBLICATIONS

Roysmart Wand Power Massager. Date: Sep. 3, 2019. [online]. [Site visited Apr. 30, 2021], Available from Internet URL: <https://www.amazon.com/dp/B07WMRHRJL/> (Year: 2019).\*

Massagers. (Design—© Questel) orbit.com. [Online PDF compilation of references] 51 pgs. Print Dates Range May 27, 2010-Aug. 11, 2020 [Retrieved May 14, 2021] <https://www.orbit.com/export/UCZAH96B/pdf4/1cdf780e-446b-499f-87a7-bf4cfc58a04a-185847.pdf> (Year: 2021).\*

\* cited by examiner

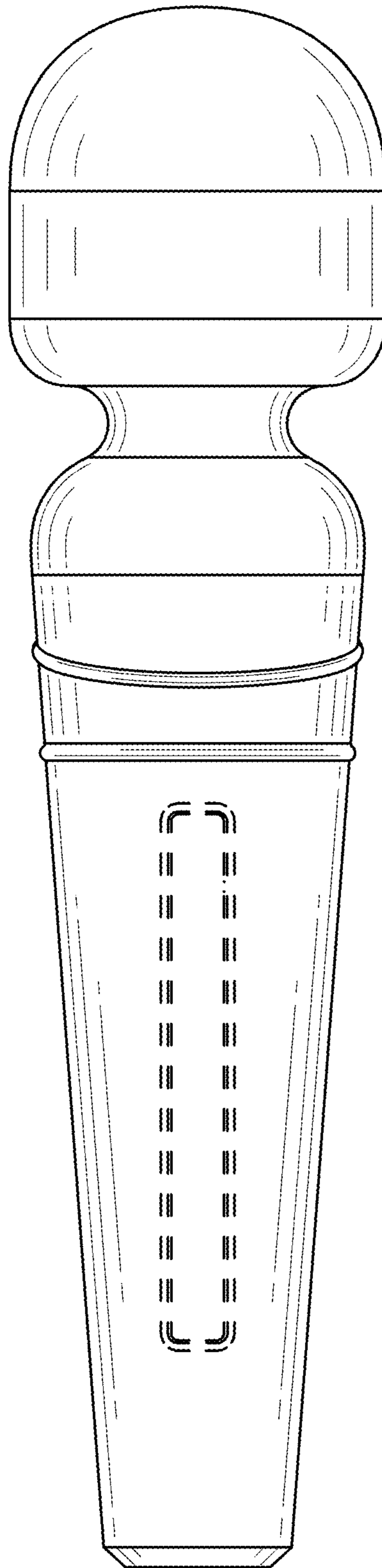


FIG. 1

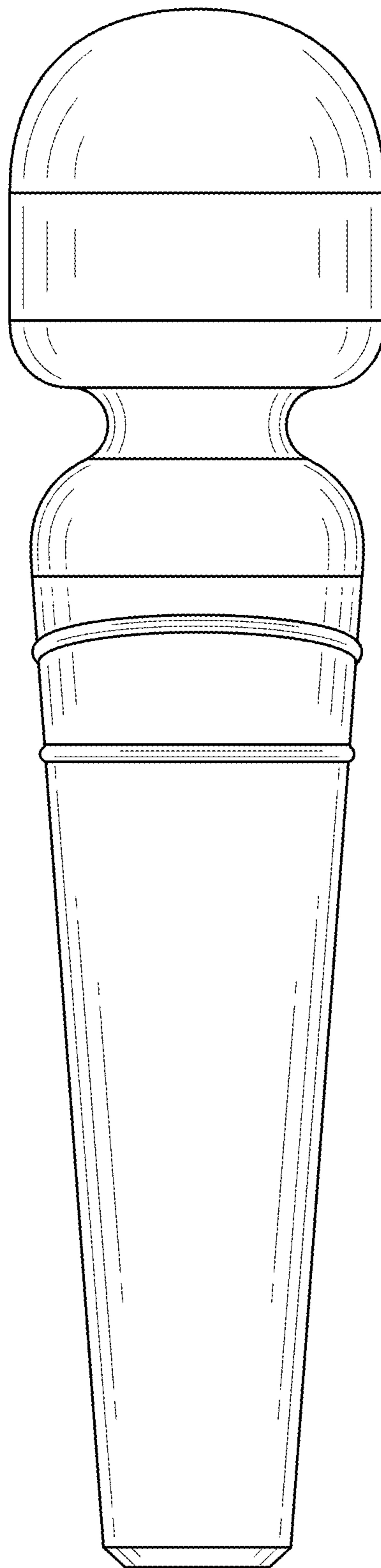


FIG. 2

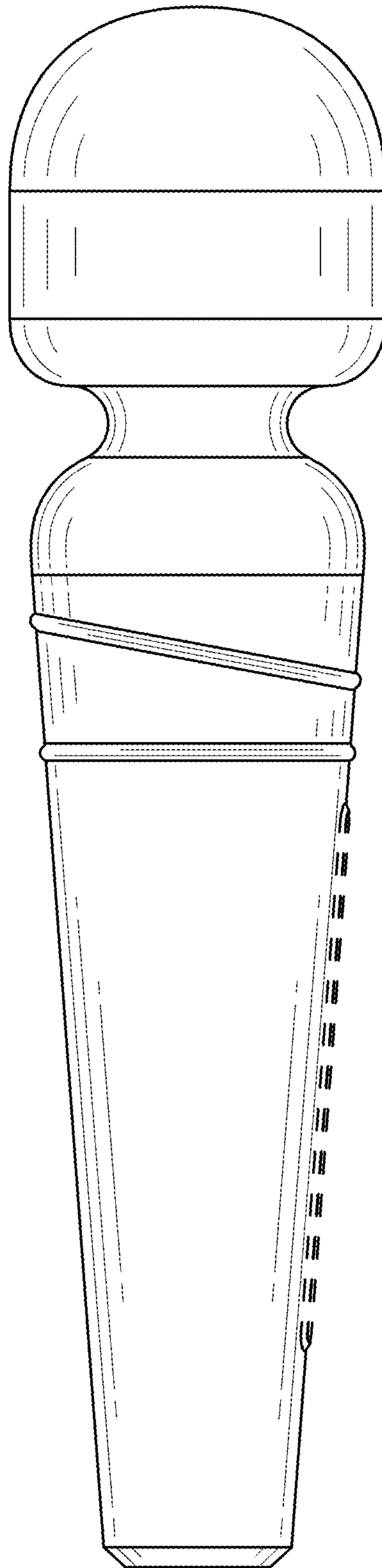


FIG. 3

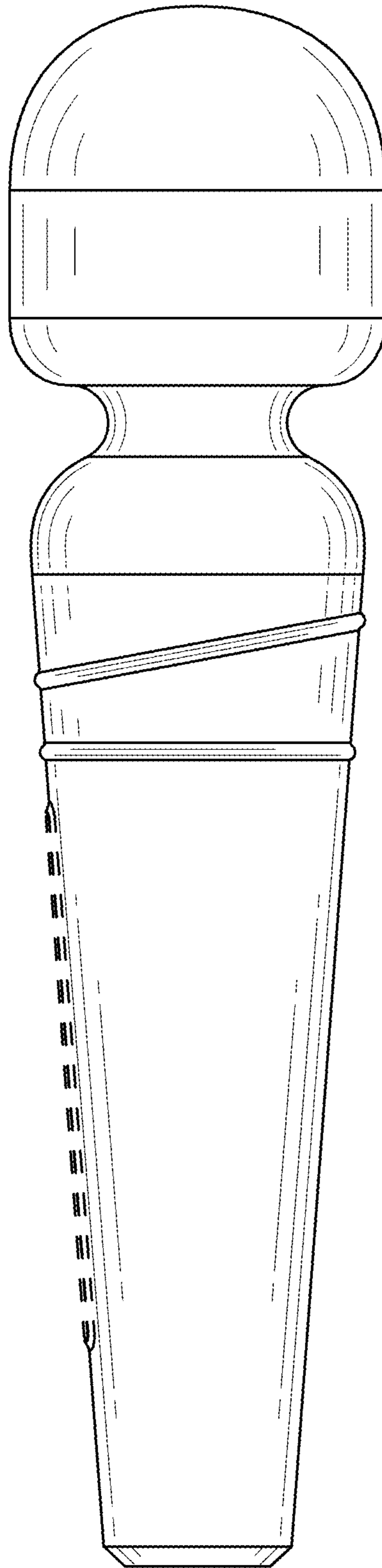


FIG. 4

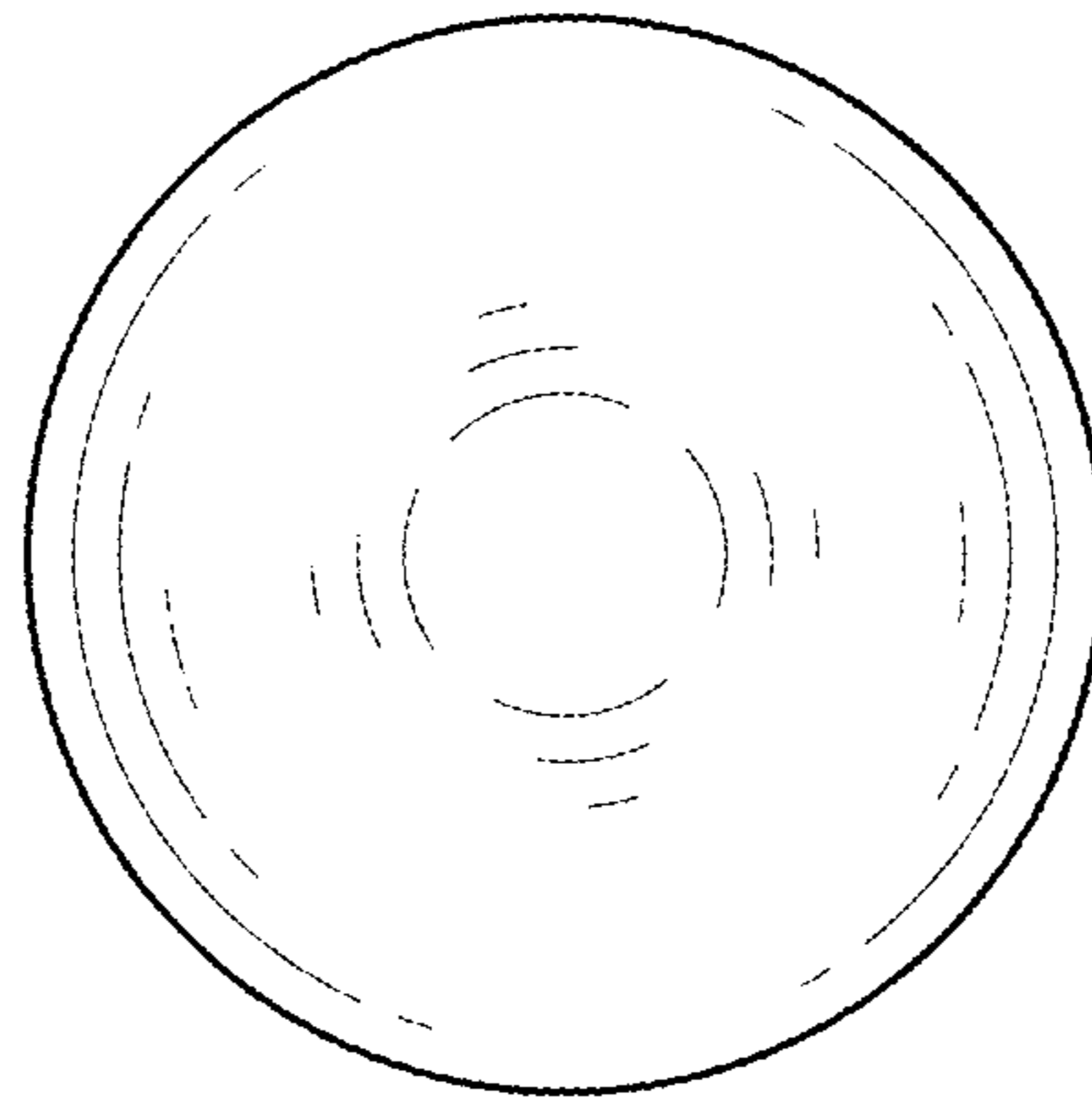


FIG. 5

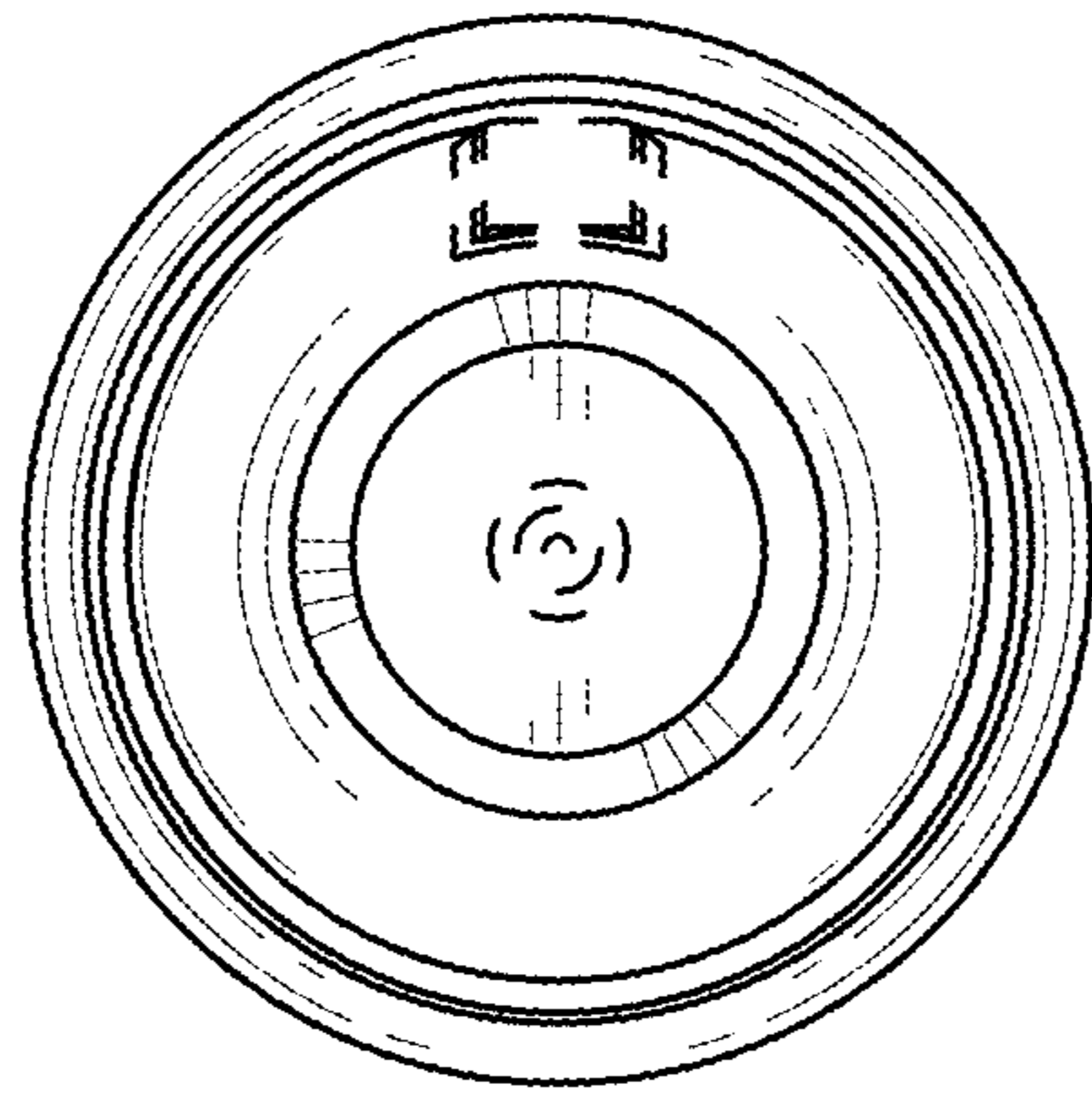


FIG. 6



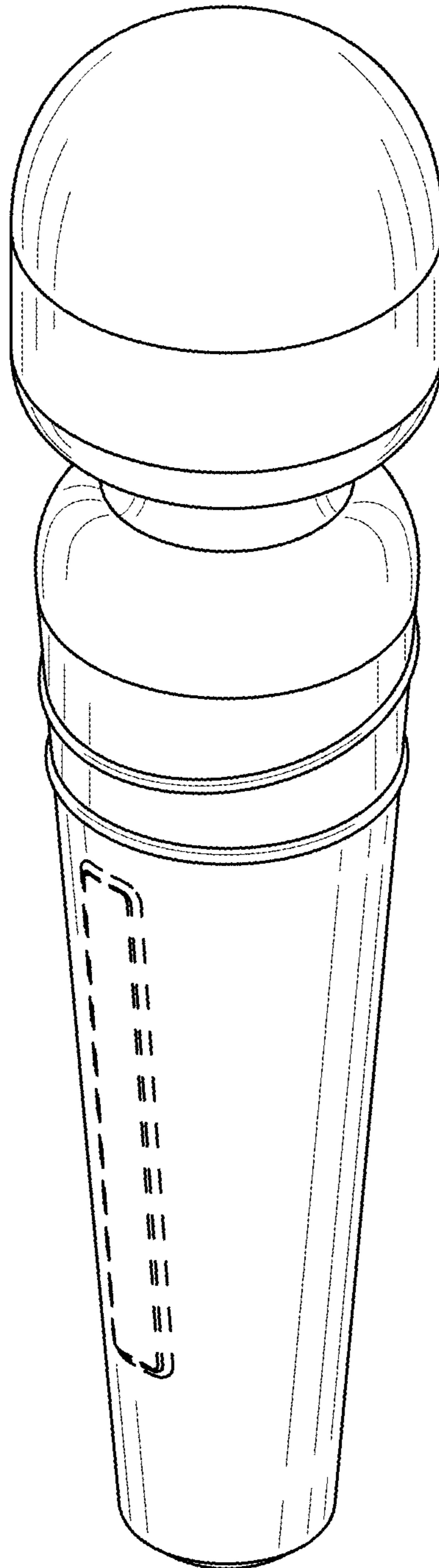


FIG. 7

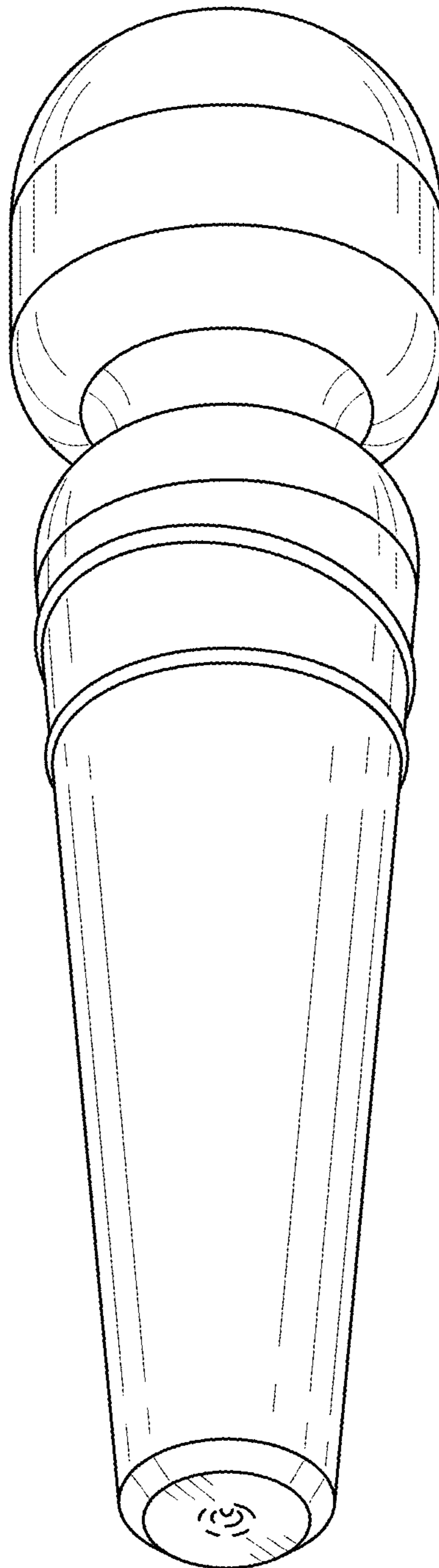


FIG. 8