



US00D926336S

(12) **United States Design Patent**  
**Zhang**

(10) **Patent No.:** **US D926,336 S**

(45) **Date of Patent:** **\*\* Jul. 27, 2021**

(54) **NECK MASSAGER**

(71) Applicant: **Sichuan Qianli-beoka Medical Technology Inc., Sichuan (CN)**

(72) Inventor: **Wen Zhang, Sichuan (CN)**

(73) Assignee: **Sichuan Qianli-beoka Medical Technology Inc., Chengdu (CN)**

(\*\*) Term: **15 Years**

(21) Appl. No.: **29/712,144**

(22) Filed: **Nov. 5, 2019**

(30) **Foreign Application Priority Data**

May 13, 2019 (CN) ..... 201930229339.2

(51) **LOC (13) Cl.** ..... **28-03**

(52) **U.S. Cl.**  
USPC ..... **D24/215**

(58) **Field of Classification Search**  
USPC ..... D24/188-191, 200, 211-215, 110.1,  
D24/110.3; D29/102; D14/223, 205  
CPC ..... A61H 9/00; A61H 9/0007; A61H 7/00;  
A61H 11/00; A61H 2011/005; A61H  
2205/04; A61H 2205/062; A61H  
2205/081; A61H 2201/1609

See application file for complete search history.

(56) **References Cited**

**U.S. PATENT DOCUMENTS**

D609,818 S *	2/2010	Tsang	.....	D24/215
D769,453 S *	10/2016	Ma	.....	D24/215
D818,596 S *	5/2018	Zheng	.....	D24/200
D843,969 S *	3/2019	Li	.....	D14/205
D845,270 S *	4/2019	Weber	.....	D14/205
D849,256 S *	5/2019	Lin	.....	D24/200
D851,272 S *	6/2019	Huang	.....	D24/215
D852,974 S *	7/2019	Lee	.....	D24/215

D853,577 S *	7/2019	Li	.....	D24/215
D888,263 S *	6/2020	Du	.....	D24/215
D890,121 S *	7/2020	Tsubone	.....	D14/205
D905,266 S *	12/2020	Liu	.....	D24/215
D911,542 S *	2/2021	Zhang	.....	D24/215

**OTHER PUBLICATIONS**

Electric Pulse Neck Back Massager. Date: Feb. 26, 2019 [online]. [Site visited Apr. 6, 2020], Available from Internet URL: <https://www.globalsources.com/Electric-neck/Smart-Neck-Massager-1172063543p.htm#1172063543> (Year: 2019).\*

Neck Massagers (Design—© Questel) orbit.com. [Online PDF compilation of references selected by examiner] 46 pgs. Print Dates Range Oct. 16, 2014-Feb. 7, 2020. [Retrieved Apr. 6, 2021] <https://www.orbit.com/export/UCZAH96B/pdf4/b12c7731-308e-d7a-8e34-e64e8a695186-154550.pdf> (Year: 2021).\*

\* cited by examiner

*Primary Examiner* — Brett Miller

*Assistant Examiner* — Landon Thomas Cassell

(57) **CLAIM**

The ornamental design for a neck massager, as shown and described.

**DESCRIPTION**

FIG. 1 is a top, front and right side perspective view of a neck massager showing my new design;

FIG. 2 is a bottom, rear and left side perspective view thereof;

FIG. 3 is a front elevational view thereof;

FIG. 4 is a rear elevational view thereof;

FIG. 5 is a left side view thereof;

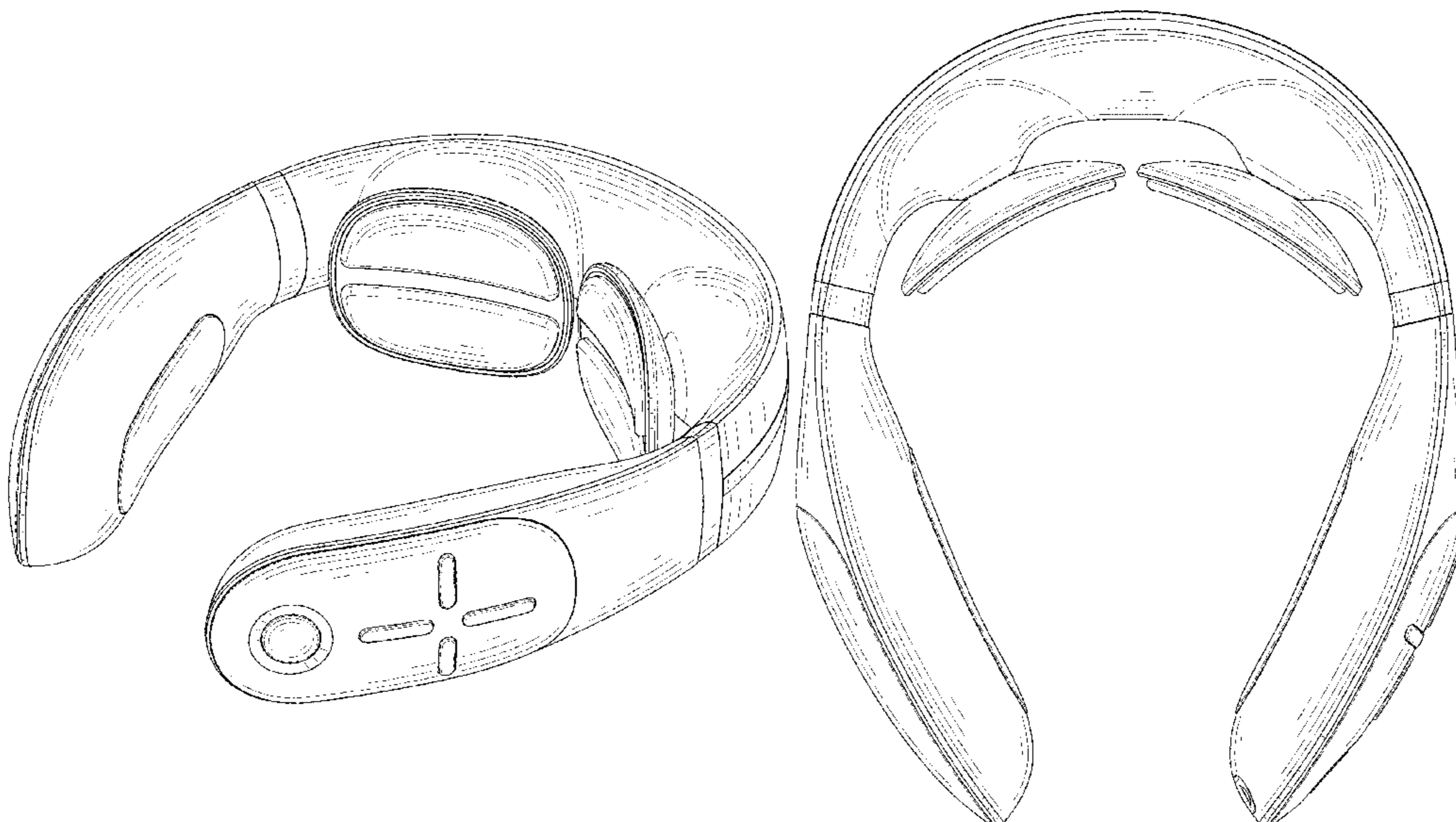
FIG. 6 is a right side view thereof;

FIG. 7 is a top plan view thereof; and,

FIG. 8 is a bottom plan view thereof.

The broken lines in the drawing depict environmental subject matter only and form no part of the claimed design.

**1 Claim, 8 Drawing Sheets**



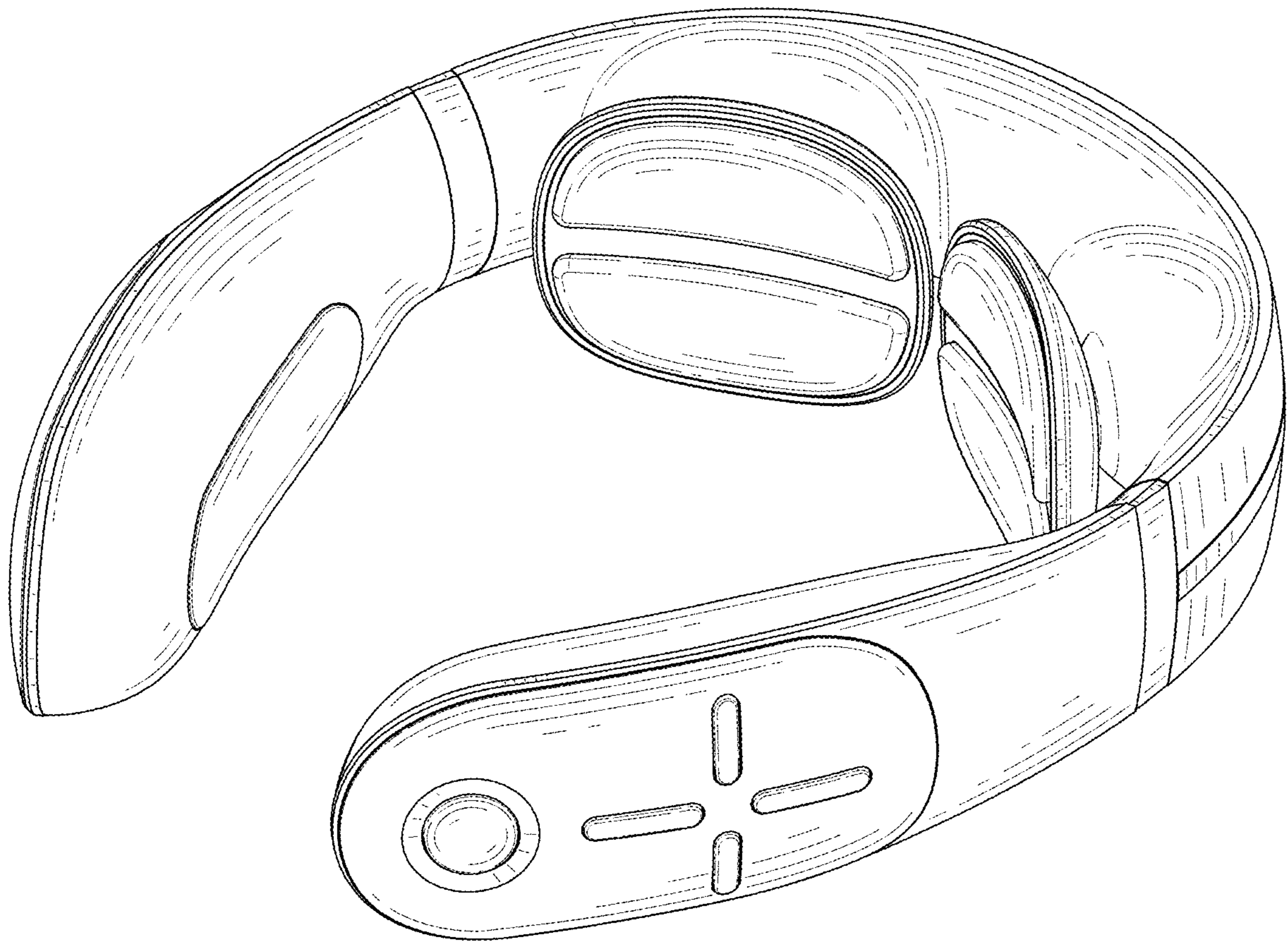


FIG. 1

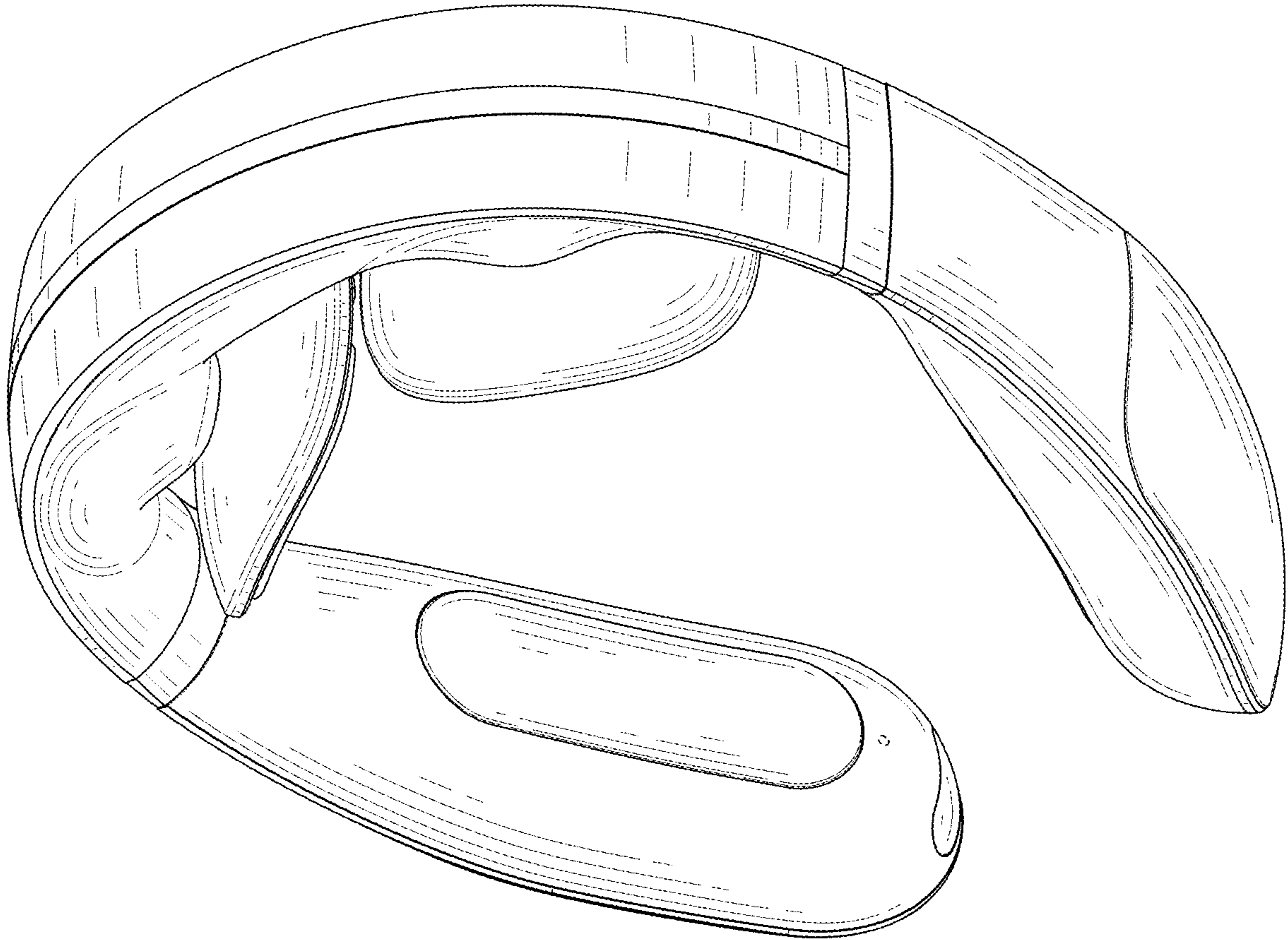


FIG. 2



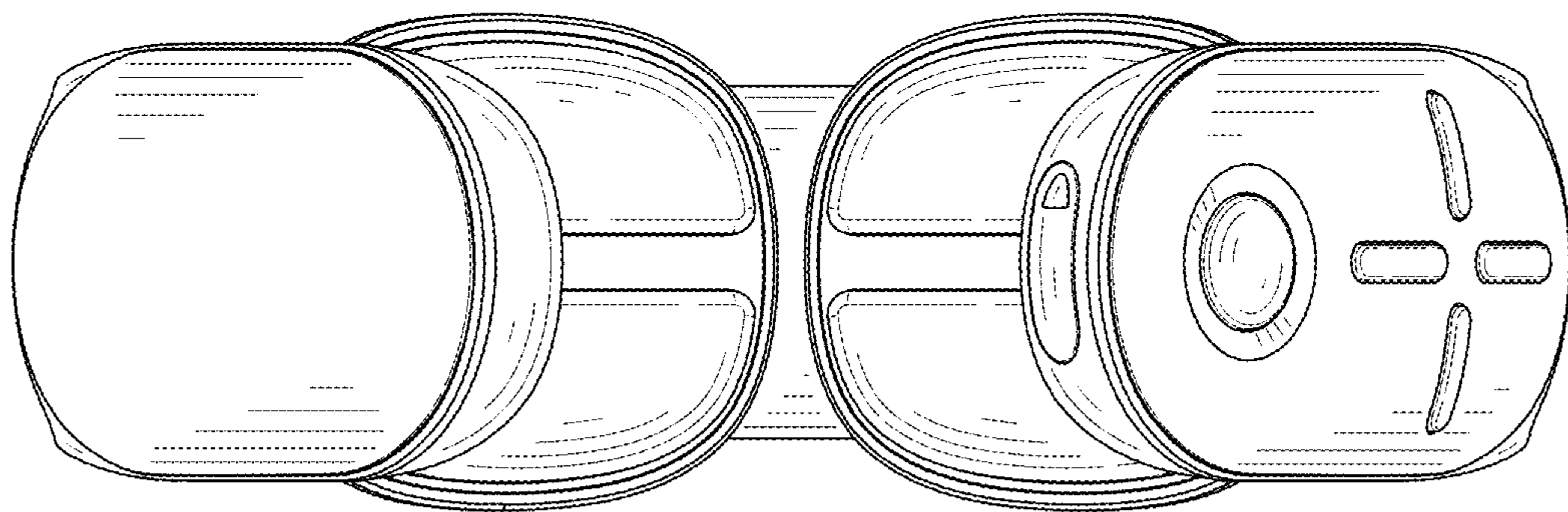


FIG. 3

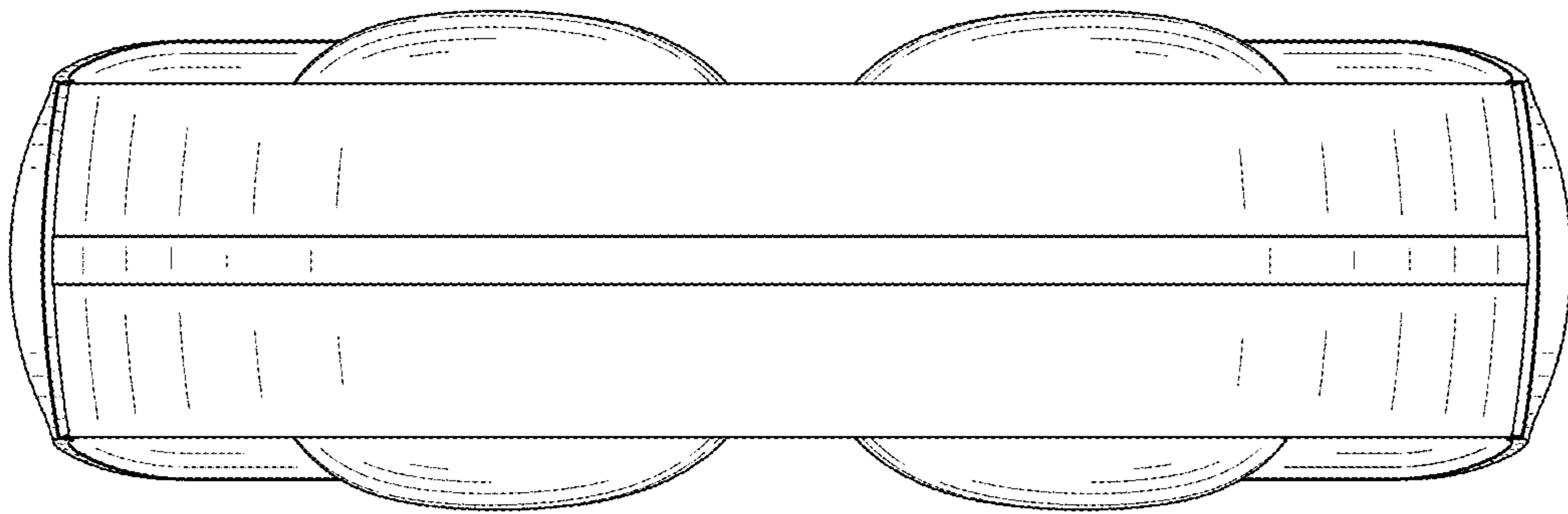


FIG. 4

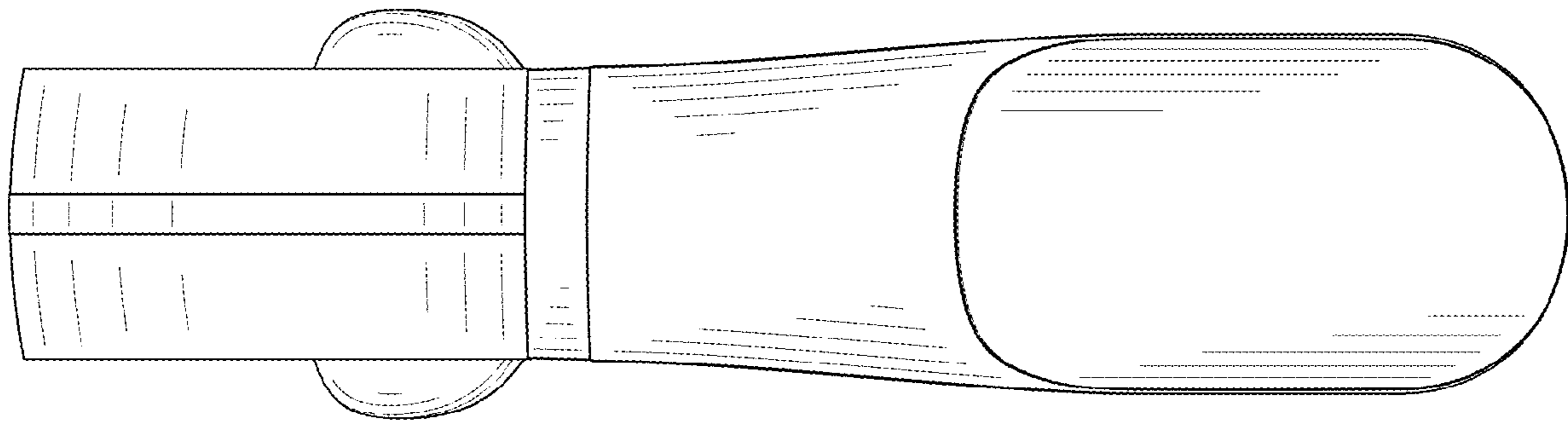


FIG. 5

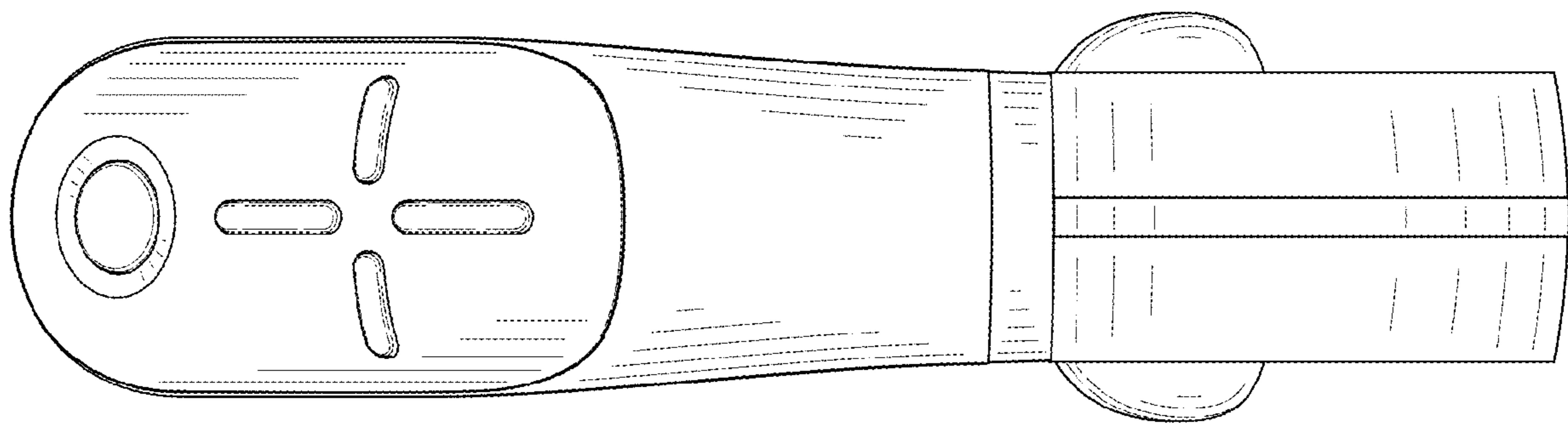


FIG. 6

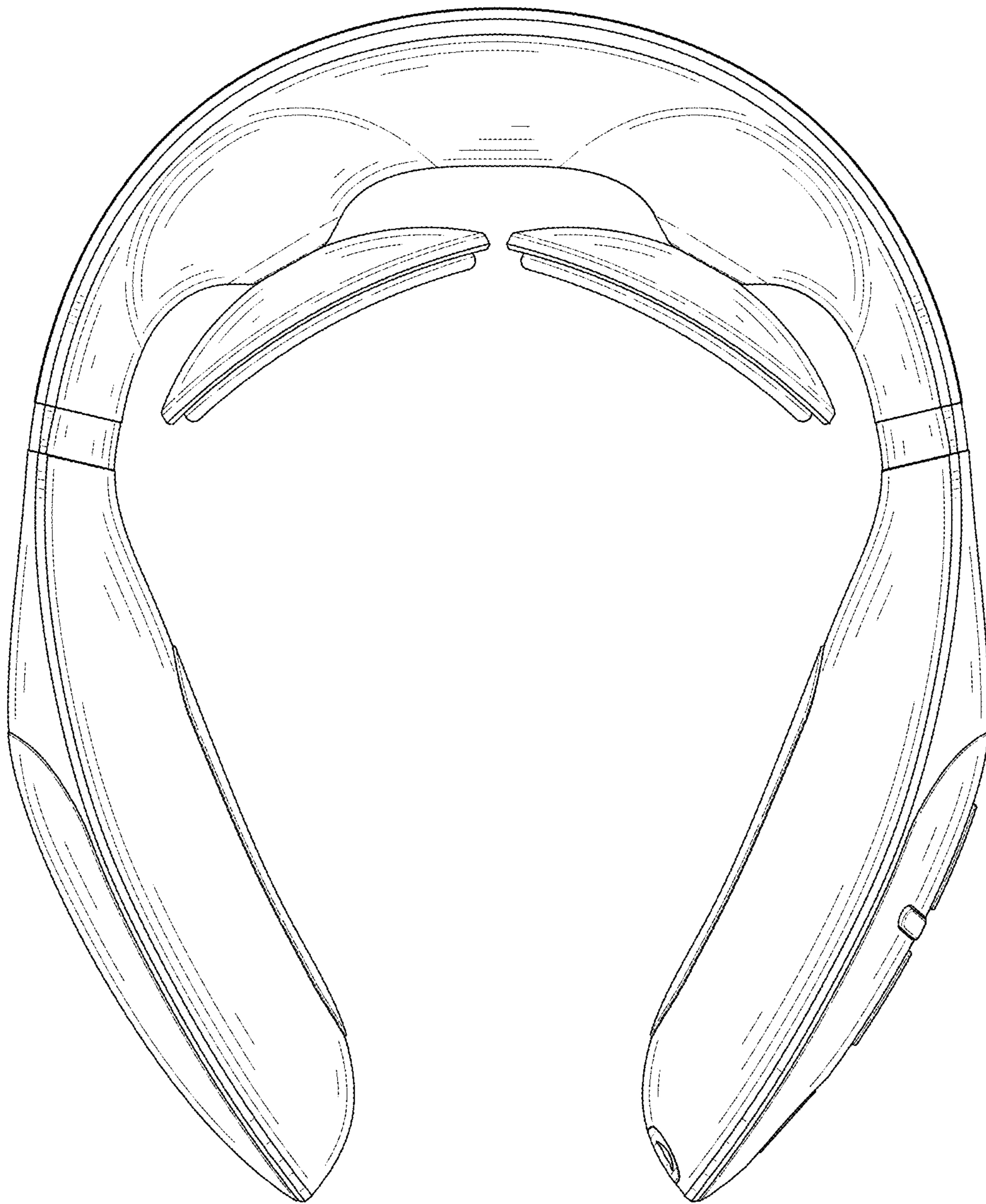


FIG. 7



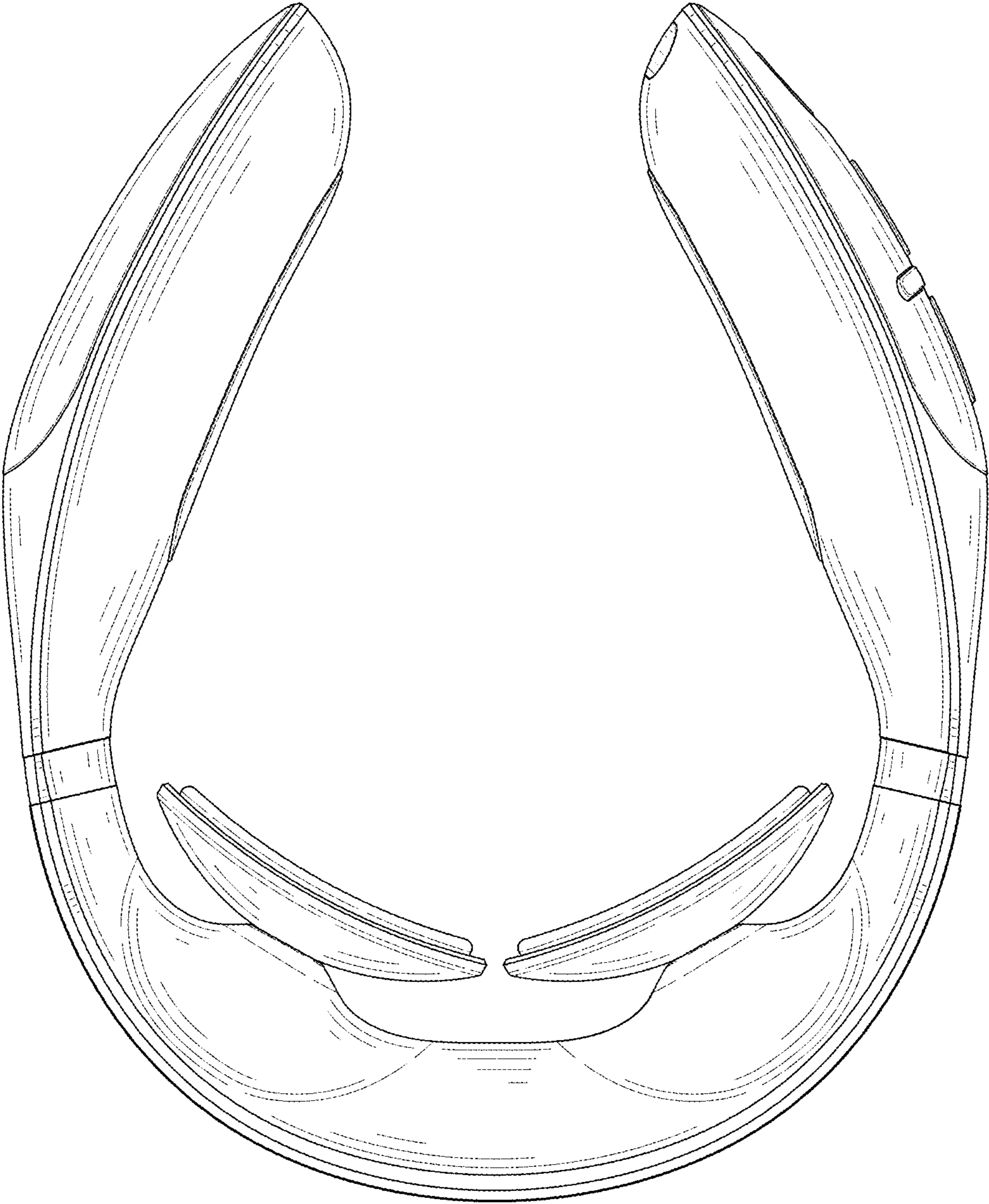


FIG. 8