



US00D926335S

(12) **United States Design Patent** (10) **Patent No.:** **US D926,335 S**
Zhang (45) **Date of Patent:** **** Jul. 27, 2021**

(54) **VIBRATION PERCUSSION DEVICE**

D912,267 S * 3/2021 Tang D24/215
D912,268 S * 3/2021 Xiang D24/215
D912,317 S * 3/2021 Park D28/13

(71) Applicant: **Sichuan Qianli-beoka Medical Technology Inc.**, Sichuan (CN)

(72) Inventor: **Wen Zhang**, Sichuan (CN)

(73) Assignee: **Sichuan Qianli-beoka Medical Technology Inc.**, Chengdu (CN)

(**) Term: **15 Years**

(21) Appl. No.: **29/709,473**

(22) Filed: **Oct. 15, 2019**

(30) **Foreign Application Priority Data**

Apr. 30, 2019 (CN) 201930207717.7

(51) **LOC (13) Cl.** **28-03**

(52) **U.S. Cl.**
USPC **D24/215**

(58) **Field of Classification Search**
USPC D24/188-190, 200, 211-215, 110.1,
D24/110.3; D8/14.1; D28/13
CPC A61H 7/00; A61H 7/003; A61H 7/004;
A61H 7/005; A61H 9/00; A61H 9/0007;
A61H 9/0021; A61H 23/00; A61H 23/04;
A61H 23/0254; A61H 2023/002; A61H
23/006; A61H 15/00; A61H 2015/0007;
A61H 2201/0153

See application file for complete search history.

(56) **References Cited**

U.S. PATENT DOCUMENTS

D855,822 S * 8/2019 Marton D24/215
D884,207 S * 5/2020 Ma D24/215
D886,317 S * 6/2020 Marton D24/215
D898,209 S * 10/2020 Xu D24/214
D899,620 S * 10/2020 Huang D24/215
D907,229 S * 1/2021 Zhang D24/215
D907,230 S * 1/2021 Zhang D24/215

OTHER PUBLICATIONS

Massage Gun Deep Tissue. Date: Jul. 1, 2020. [online], [Site visited Sep. 29, 2020], Available from Internet URL: <https://www.amazon.co.uk/dp/B07WSFCFK4/> (Year: 2020).*

Vibration percussion devices. (Design—© Questel) orbit.com. [Online PDF compilation of references selected by examiner] 20 pgs. Print Dates Range Sep. 29, 2020-Jan. 5, 2021 [Retrieved Mar. 16, 2021] <https://www.orbit.com/export/UCZAH96B/pdf4/22b9928f-5806-4617-841a-385f4be02cc3-153109.pdf> (Year: 2021).*

* cited by examiner

Primary Examiner — Susan Bennett Hattan

Assistant Examiner — Landon Thomas Cassell

(57) **CLAIM**

The ornamental design for a vibration percussion device, as shown and described.

DESCRIPTION

FIG. 1 is a top, front and right side perspective view of a vibration percussion device showing my new design;

FIG. 2 is a bottom, rear and left side perspective view thereof;

FIG. 3 is a front elevational view thereof;

FIG. 4 is a rear elevational view thereof;

FIG. 5 is a left side view thereof;

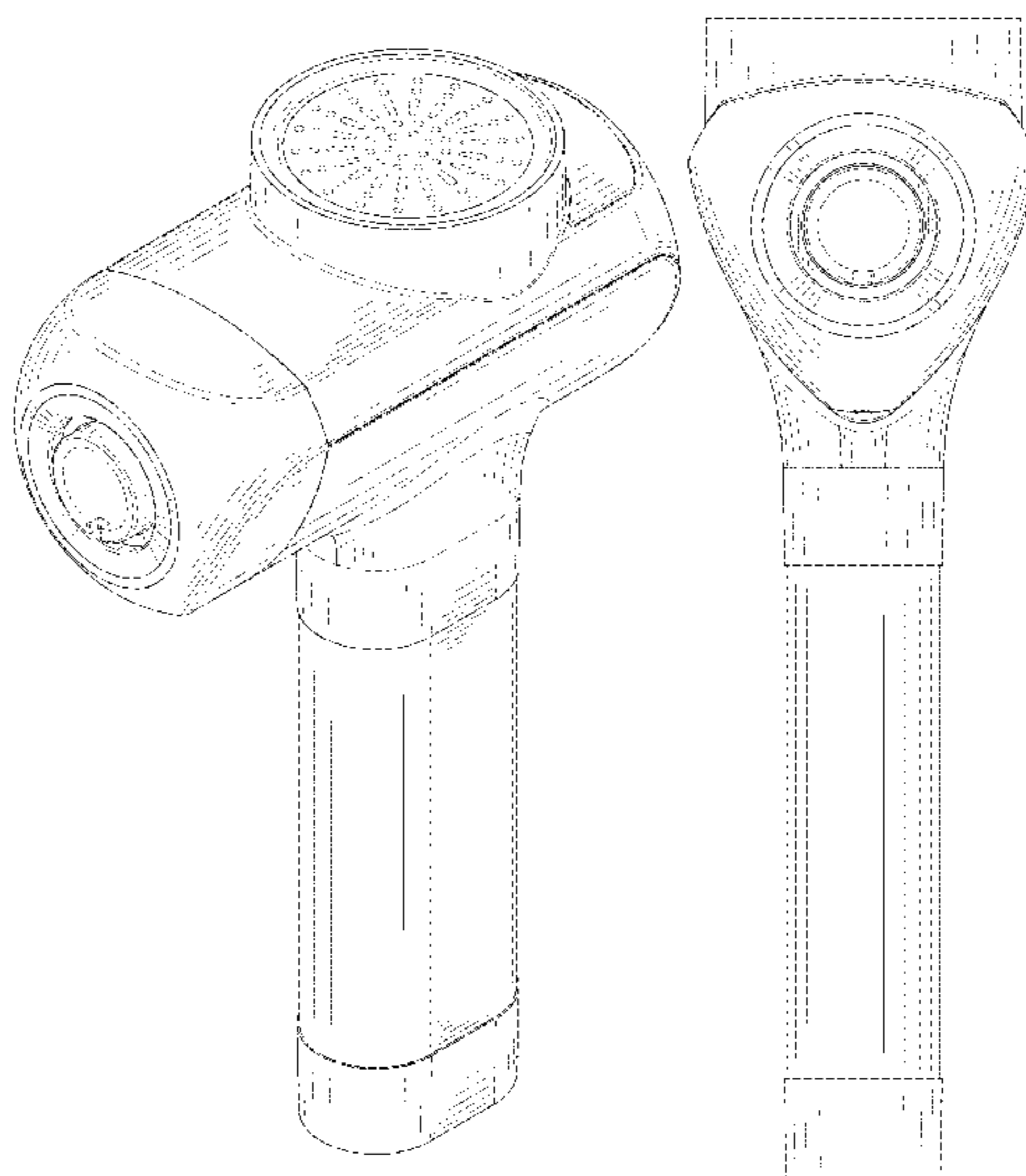
FIG. 6 is a right side view thereof;

FIG. 7 is a top plan view thereof; and,

FIG. 8 is a bottom plan view thereof.

The broken lines in the drawings illustrate portions of the vibration percussion device which form no part of the claimed design.

1 Claim, 8 Drawing Sheets



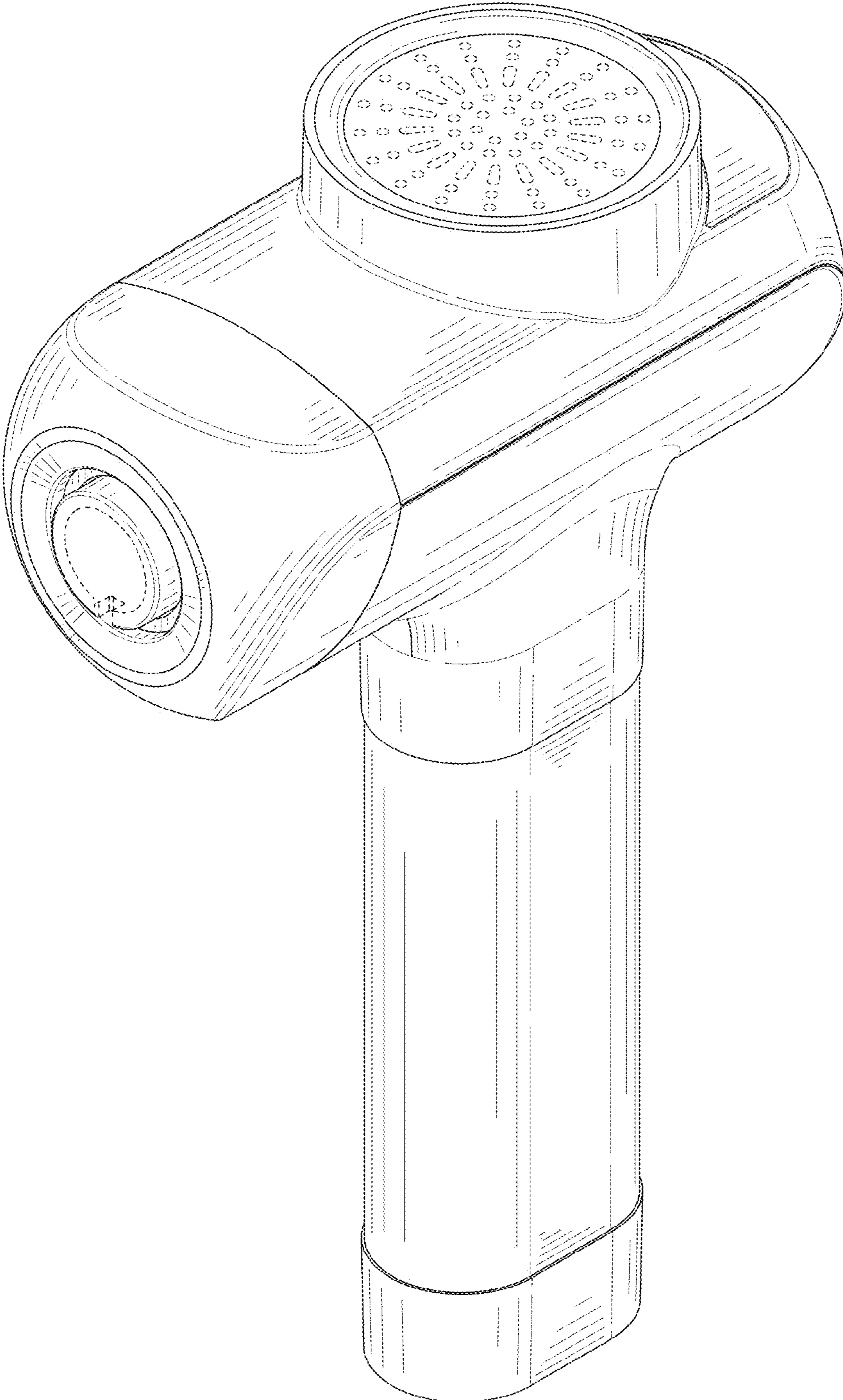


FIG. 1

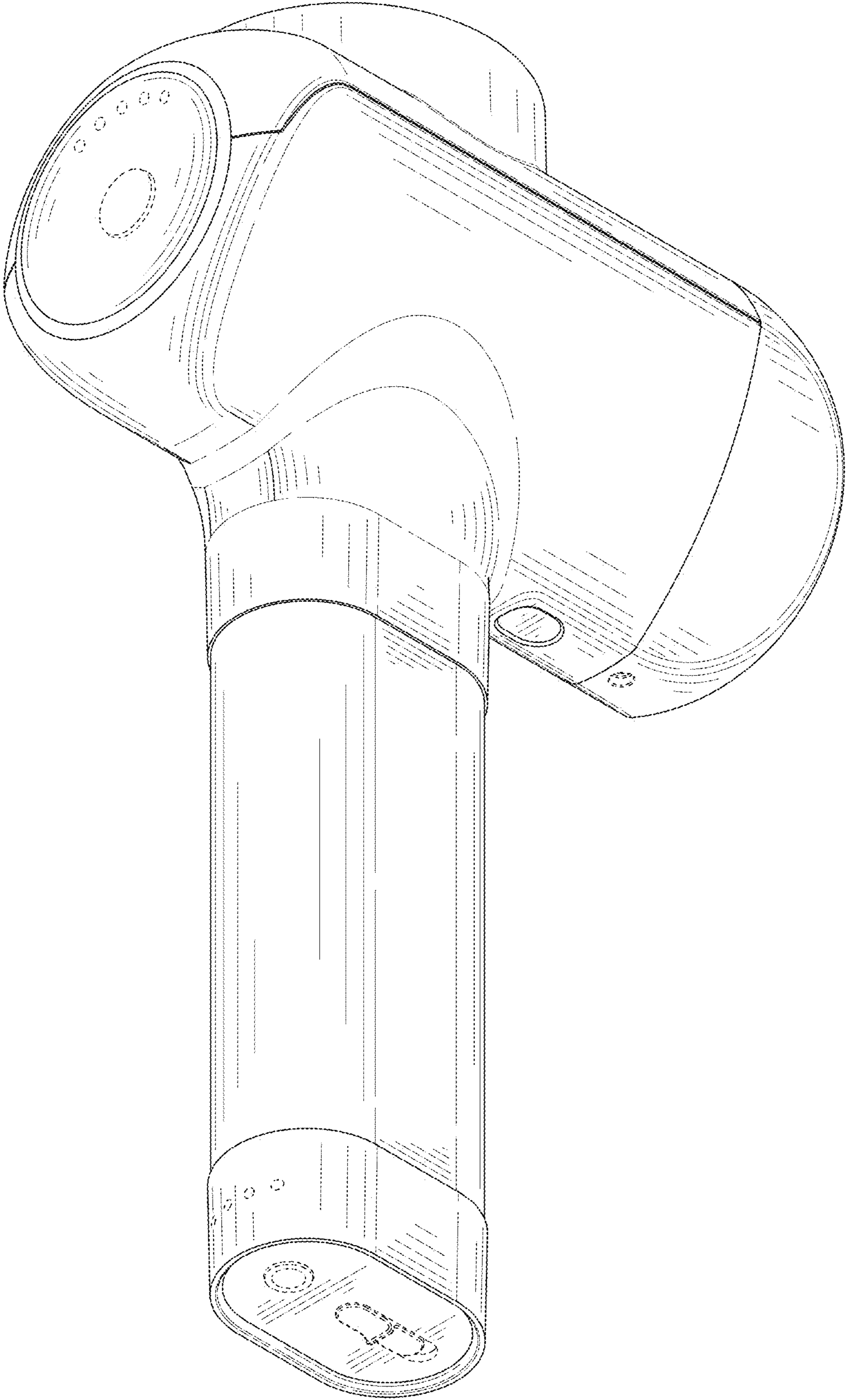


FIG. 2

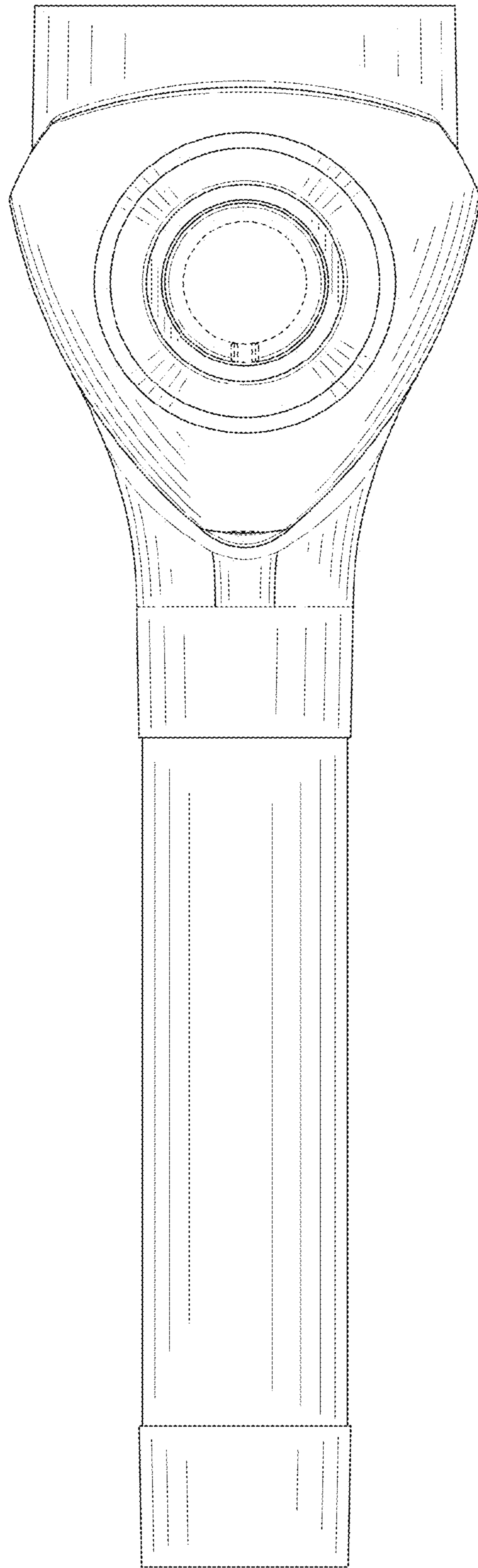


FIG. 3

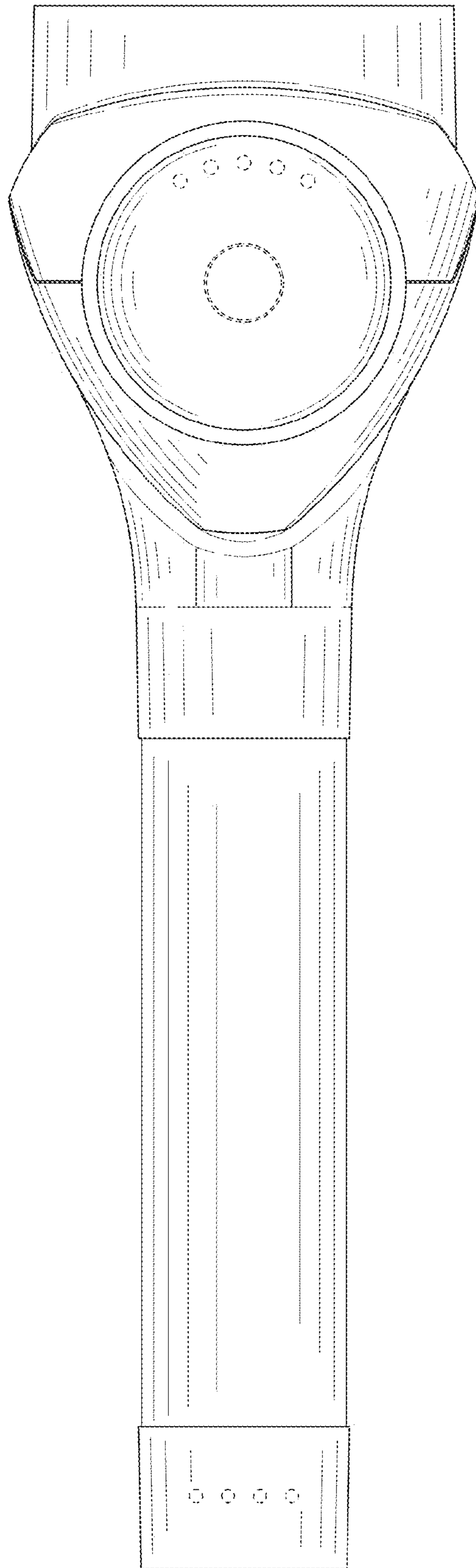


FIG. 4

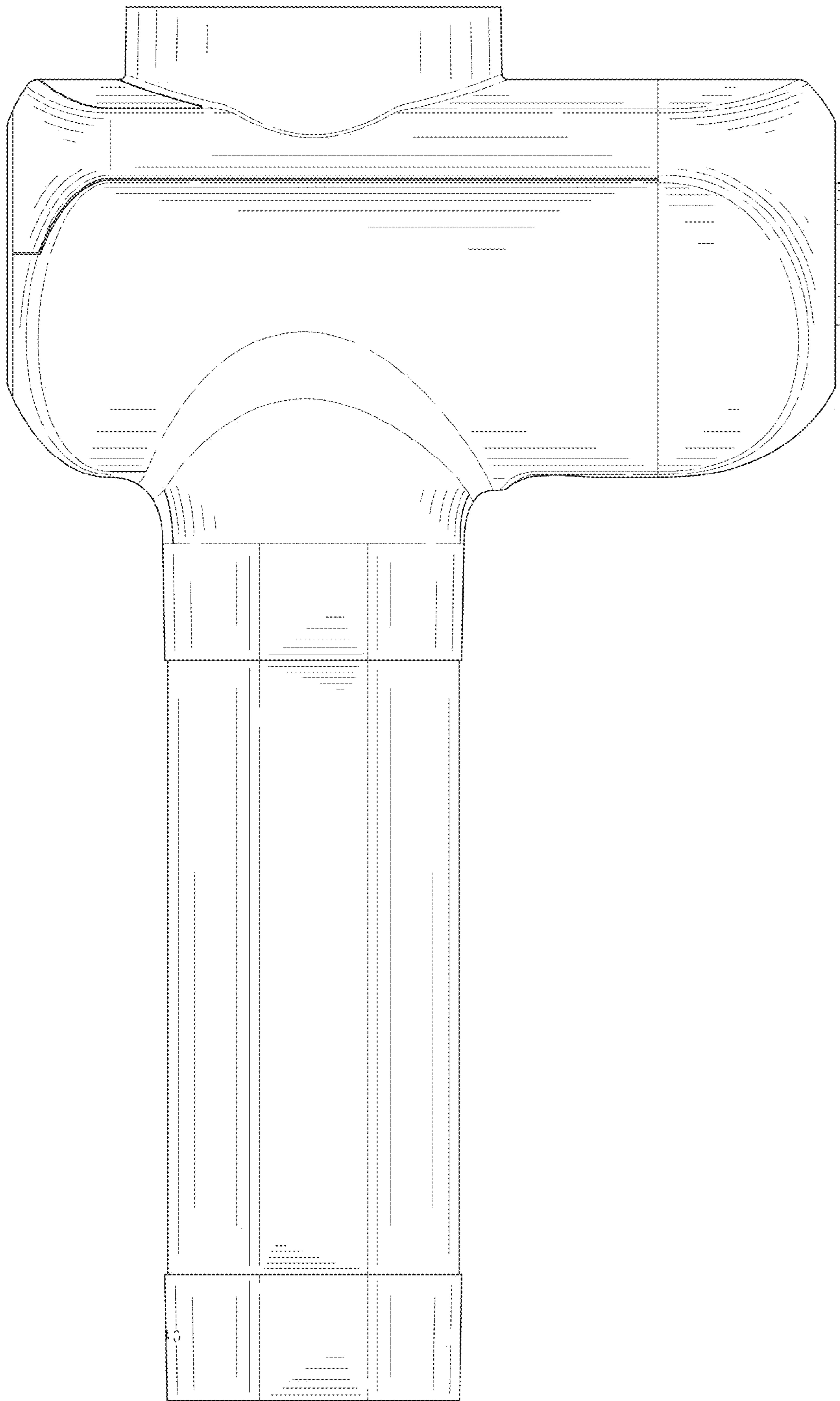


FIG. 5

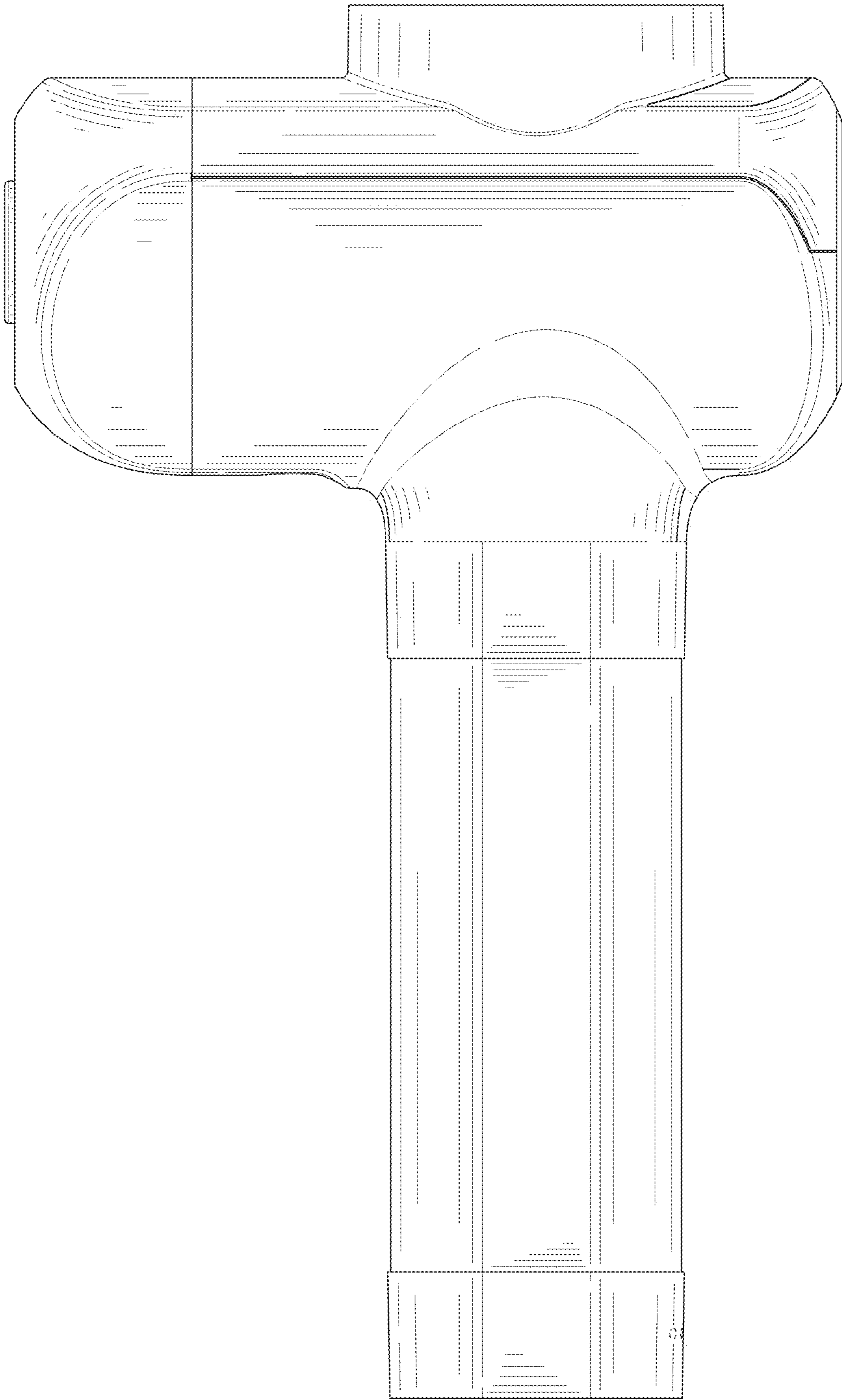


FIG. 6

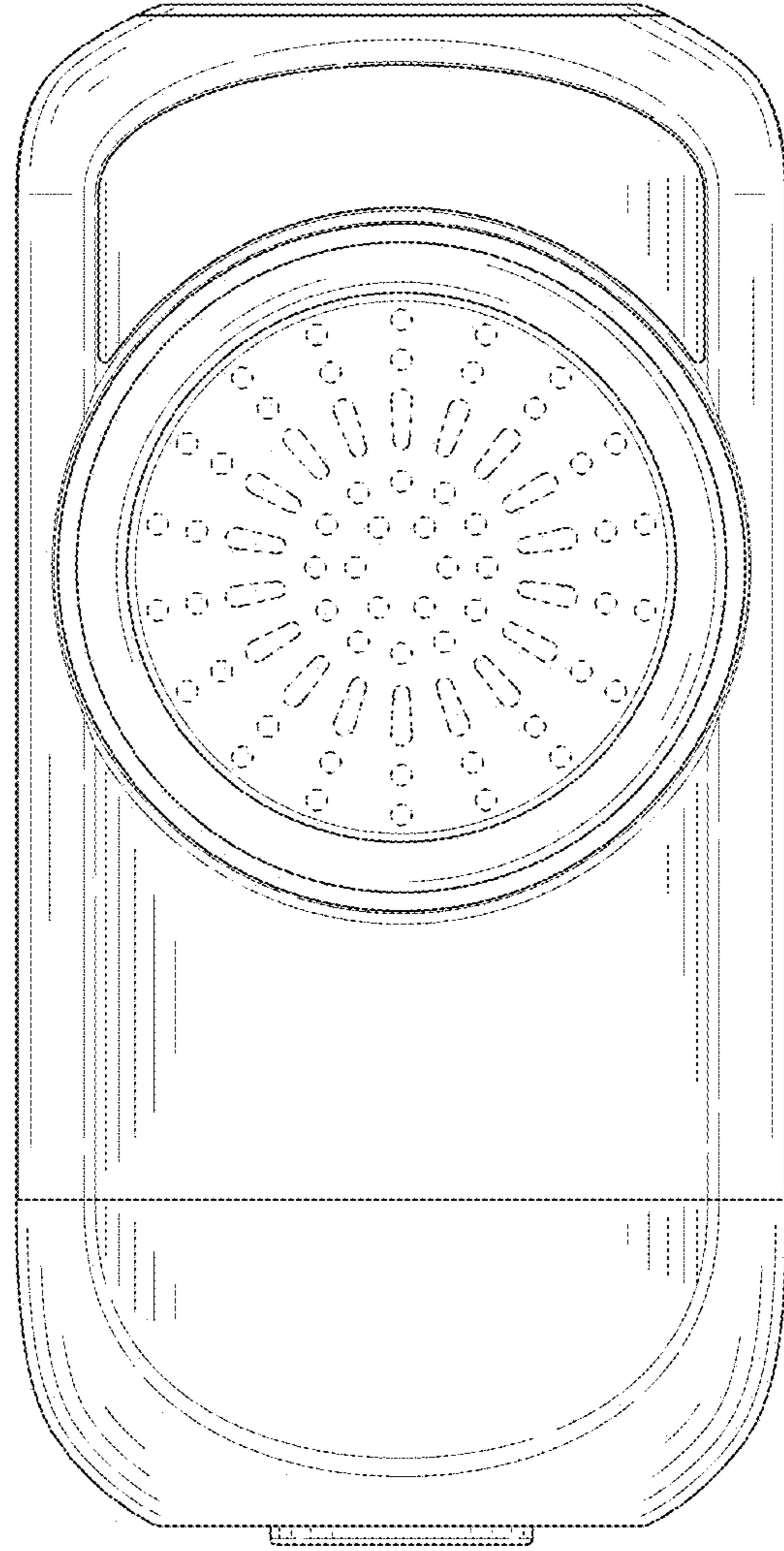


FIG. 7

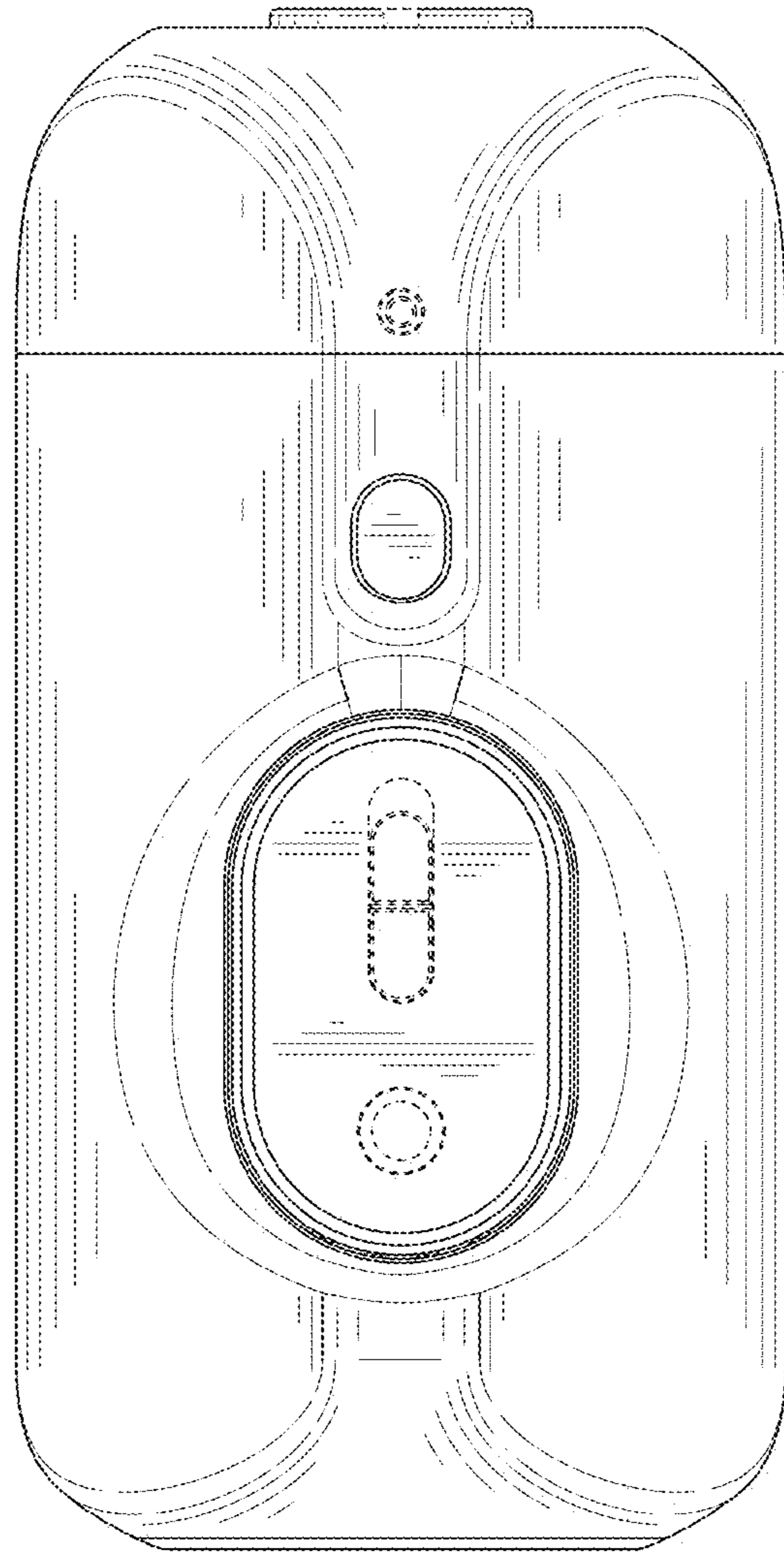


FIG. 8