



US00D926333S

(12) **United States Design Patent**
Zhang

(10) **Patent No.:** **US D926,333 S**

(45) **Date of Patent:** **** Jul. 27, 2021**

(54) **VIBRATION PERCUSSION DEVICE**

(71) Applicant: **Sichuan Qianli-beoka Medical Technology Inc.**, Sichuan (CN)

(72) Inventor: **Wen Zhang**, Sichuan (CN)

(73) Assignee: **Sichuan Qianli-beoka Medical Technology Inc.**, Chengdu (CN)

(**) Term: **15 Years**

(21) Appl. No.: **29/702,752**

(22) Filed: **Aug. 21, 2019**

(30) **Foreign Application Priority Data**

Apr. 30, 2019 (CN) 201930207843.2

(51) **LOC (13) Cl.** **28-03**

(52) **U.S. Cl.**
USPC **D24/215**

(58) **Field of Classification Search**
USPC D24/200, 211, 212, 213, 214, 215;
D8/14.1
CPC A61H 2015/0014; A61H 15/00; A61H
2015/0042
See application file for complete search history.

(56) **References Cited**

U.S. PATENT DOCUMENTS

D616,558 S *	5/2010	Tsai	D24/200
10,314,762 B1 *	6/2019	Marton	A61H 23/006
D855,822 S *	8/2019	Marton	D24/215
D872,869 S *	1/2020	Lu	D24/215
D873,432 S *	1/2020	Duan	D24/214
D874,015 S *	1/2020	Marton	D24/215
D875,961 S *	2/2020	Li	24/211
D877,351 S *	3/2020	Wersland	D24/215
D879,985 S *	3/2020	Wersland	D24/214
D879,986 S *	3/2020	Wersland	D24/214
D880,714 S *	4/2020	Wersland	D24/215
D880,715 S *	4/2020	Wersland	D24/215

D880,716 S *	4/2020	Wersland	D24/215
D884,205 S *	5/2020	Zhuang	D24/215
D884,207 S *	5/2020	Ma	D24/215
D884,915 S *	5/2020	Wersland	D24/215
D885,601 S *	5/2020	Wersland	D24/215
D886,317 S *	6/2020	Marton	D24/215
D887,573 S *	6/2020	Wersland	D24/215
D893,738 S *	8/2020	Zhuang	D24/215
D895,133 S *	9/2020	Xu	D24/215

(Continued)

OTHER PUBLICATIONS

Amazon, "Naipo Massage Gun", May 27, 2020. https://www.amazon.com/Naipo-Percussion-Massager-Relaxation-Brushless/dp/B08397NBWK/ref=cm_cr_ar_p_d_product_top?ie=UTF8. Shown on p. 1. (Year: 2020).*

(Continued)

Primary Examiner — Cynthia Ramirez
Assistant Examiner — Michael A Maharajh

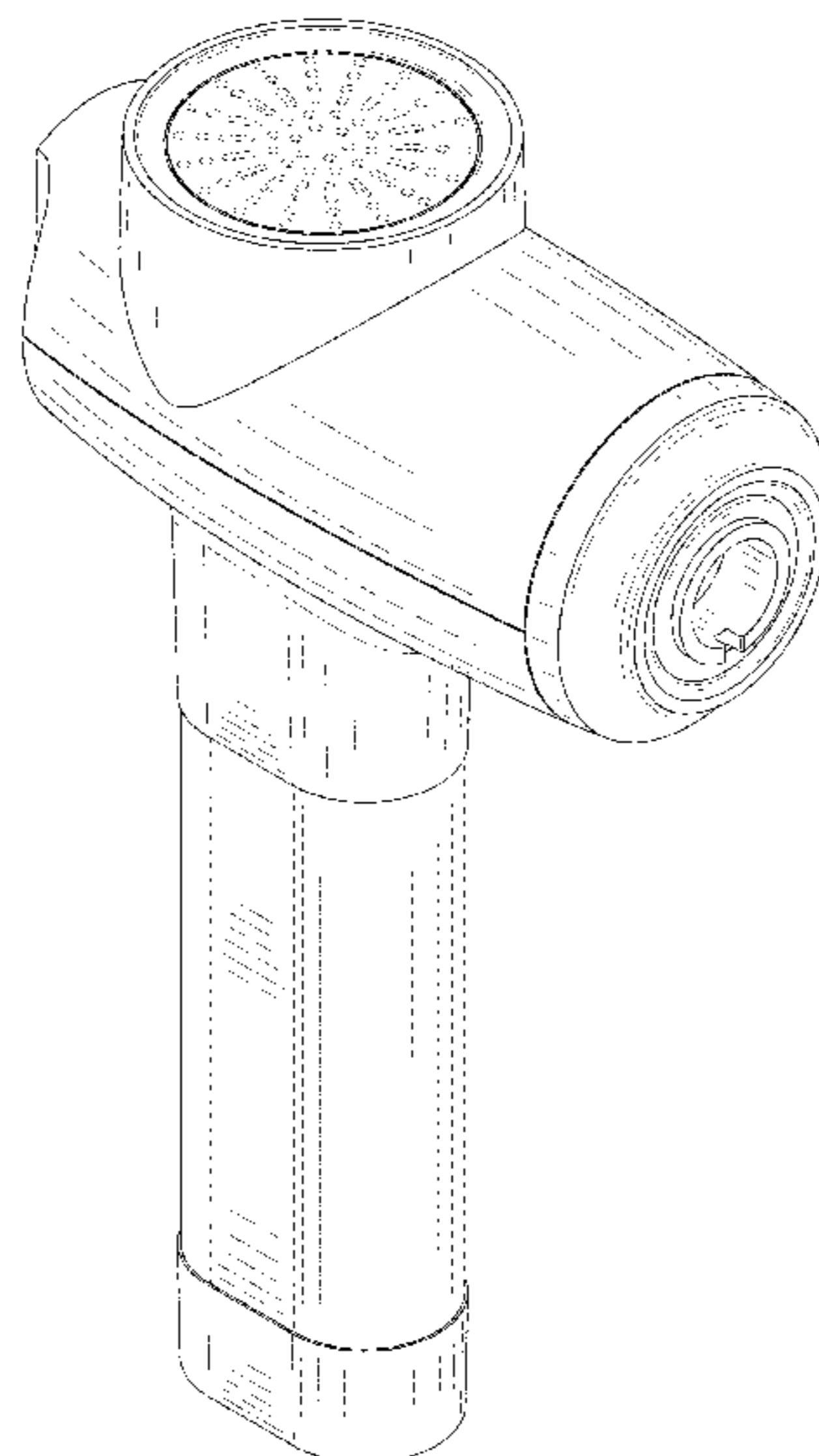
(57) **CLAIM**

The ornamental design for a vibration percussion device, as shown and described.

DESCRIPTION

FIG. 1 is a top, front and left side perspective view of a vibration percussion device showing my new design; FIG. 2 is a bottom, rear and right side perspective view thereof; FIG. 3 is a front elevational view thereof; FIG. 4 is a rear elevational view thereof; FIG. 5 is a left side view thereof; FIG. 6 is a right side view thereof; FIG. 7 is a top plan view thereof; and, FIG. 8 is a bottom plan view thereof. The broken lines in the drawings illustrate portions of the vibration percussion device which form no part of the claimed design.

1 Claim, 8 Drawing Sheets



(56)

References Cited

U.S. PATENT DOCUMENTS

D895,135	S	*	9/2020	Xu	D24/215
D895,831	S	*	9/2020	Chen	D24/215
D896,396	S	*	9/2020	Wersland	D24/215
D898,209	S	*	10/2020	Xu	D24/214
D898,933	S	*	10/2020	Xu	D24/215
D899,620	S	*	10/2020	Huang	D24/215
D905,863	S	*	12/2020	Lin	D24/215
D906,533	S	*	12/2020	Xu	D24/215
D907,229	S	*	1/2021	Zhang	D24/215
D907,230	S	*	1/2021	Zhang	D24/215
D908,908	S	*	1/2021	Xu	D24/215
D910,194	S	*	2/2021	Radtke	D24/215
D911,535	S	*	2/2021	Yu	D24/200
D912,267	S	*	3/2021	Tang	D24/215
D912,268	S	*	3/2021	Xiang	D24/215
2018/0200141	A1	*	7/2018	Wersland	A61H 23/006

OTHER PUBLICATIONS

Alibaba, "S6_Message Gun", Mar. 16, 2021. https://cnbeoka.en.alibaba.com/product/1600078024253-819336110/Professional_manufacturer_S6_cordless_handheld_deep_tissue_muscle_stimulator_message_gun_massager.html?spm=a2700.shop_index.127651.3.387c3219o5IAUu. Shown on p. 1. (Year: 2021).*

* cited by examiner

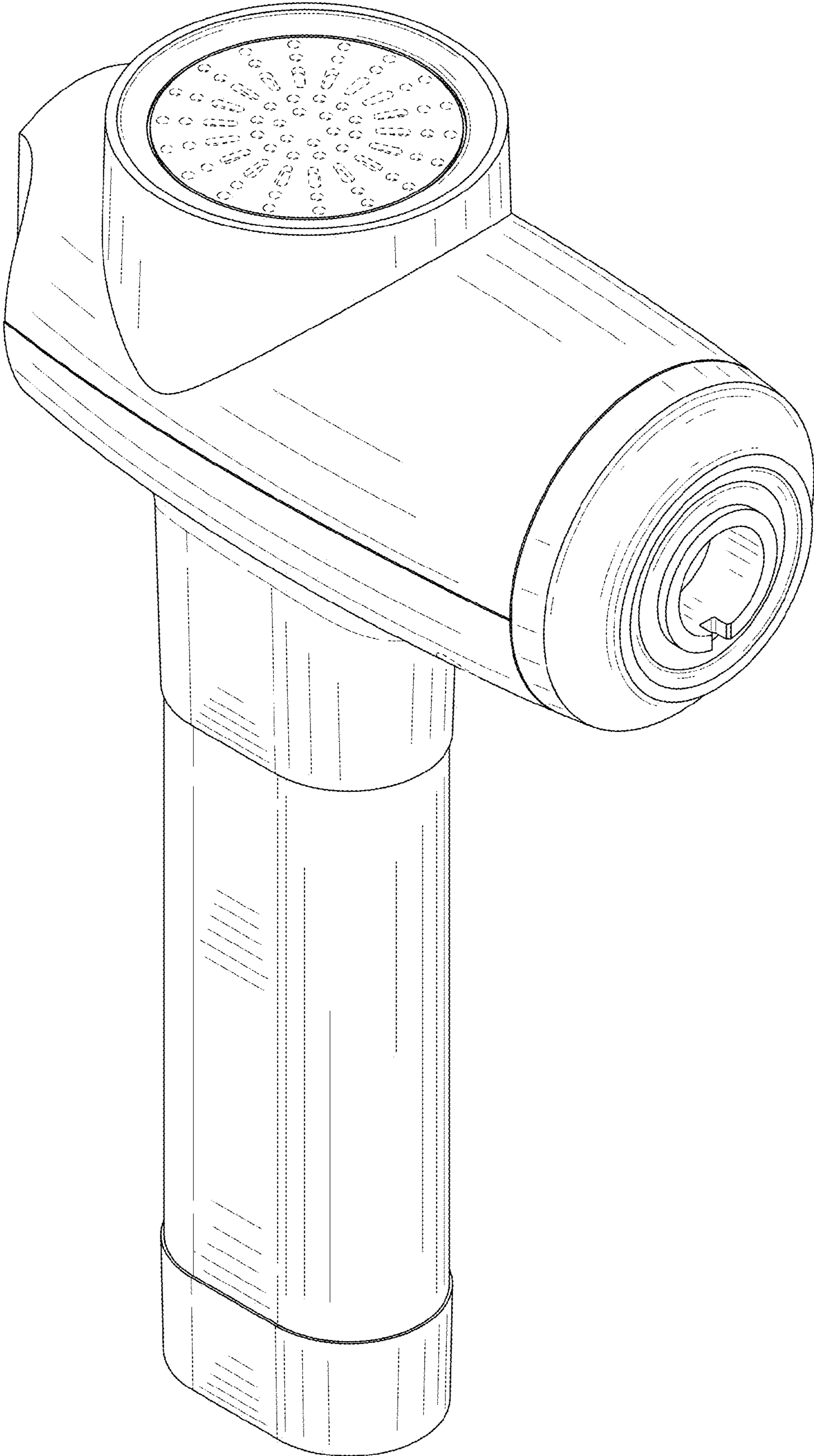


FIG. 1

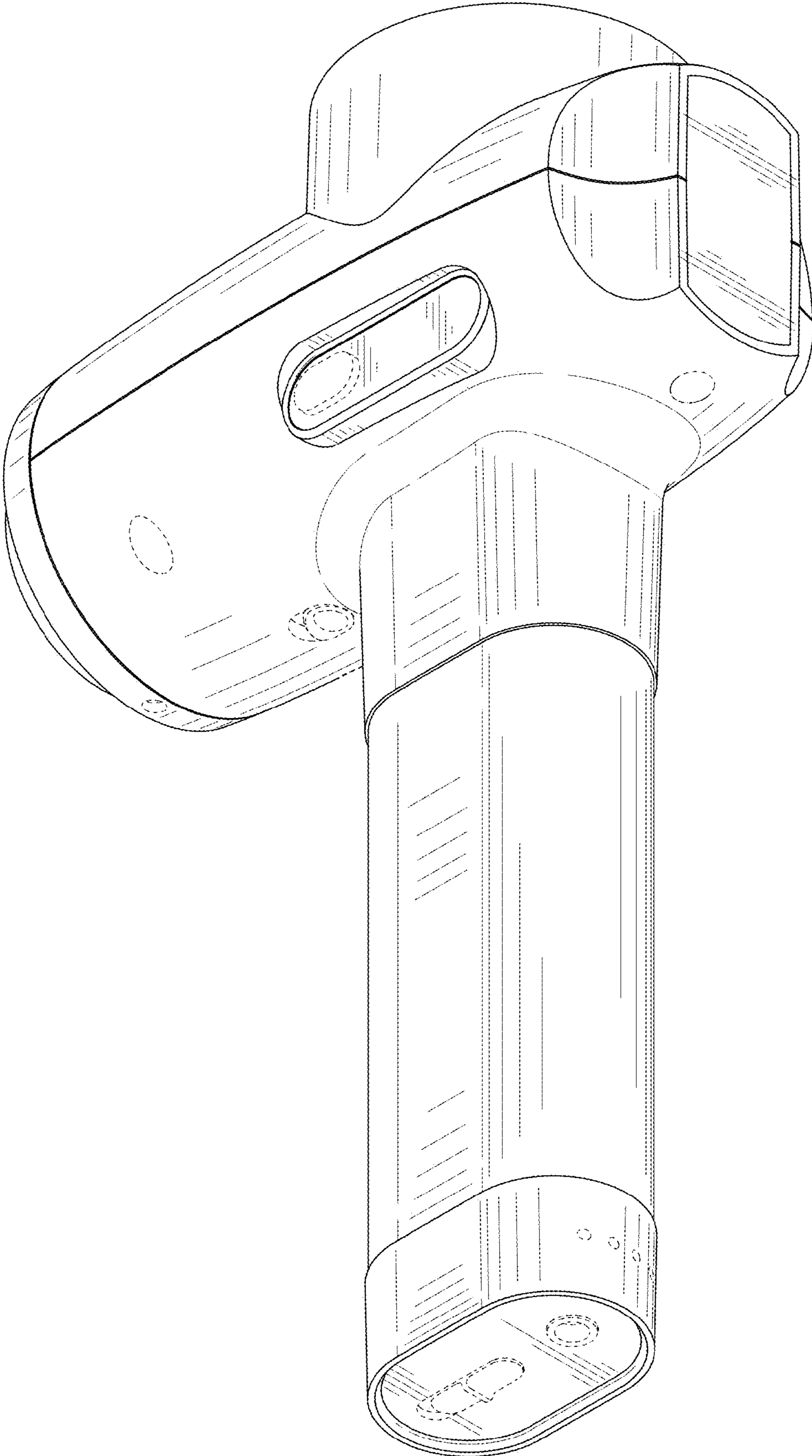


FIG. 2

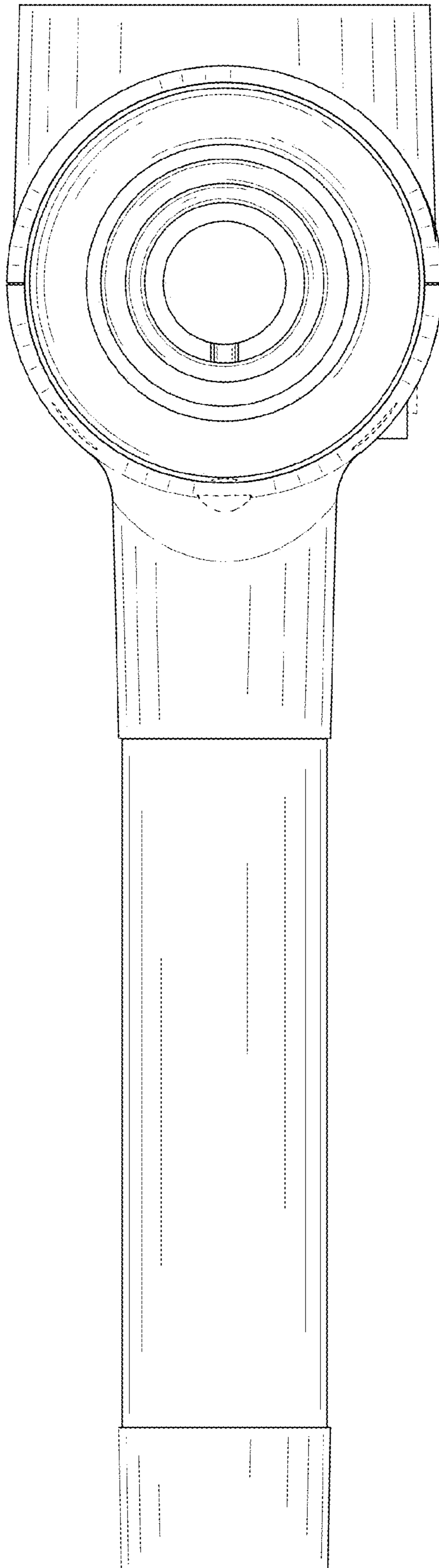


FIG. 3

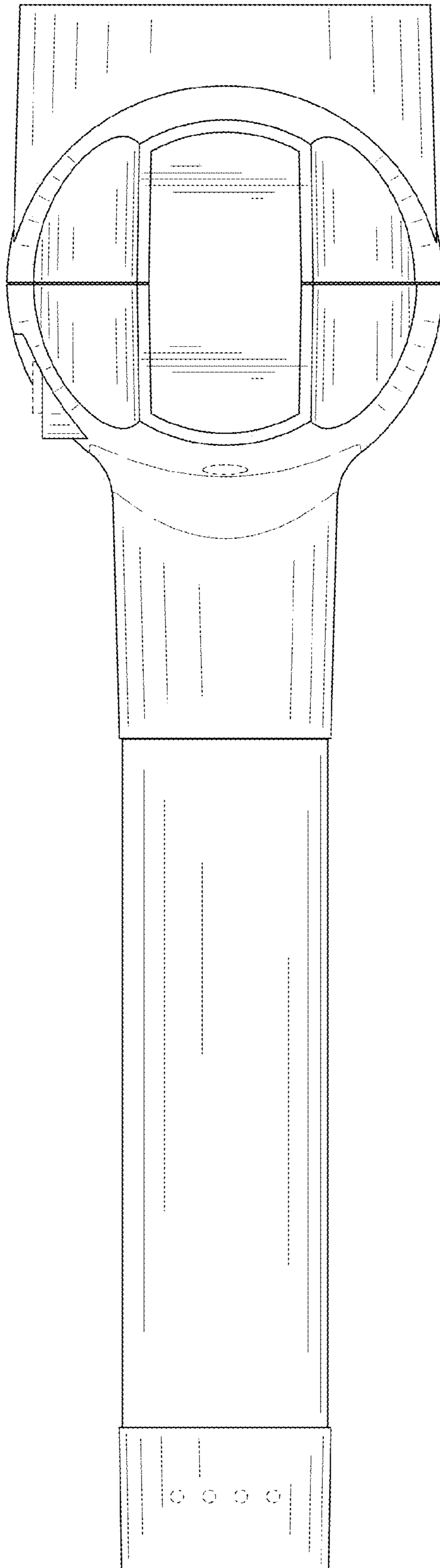


FIG. 4

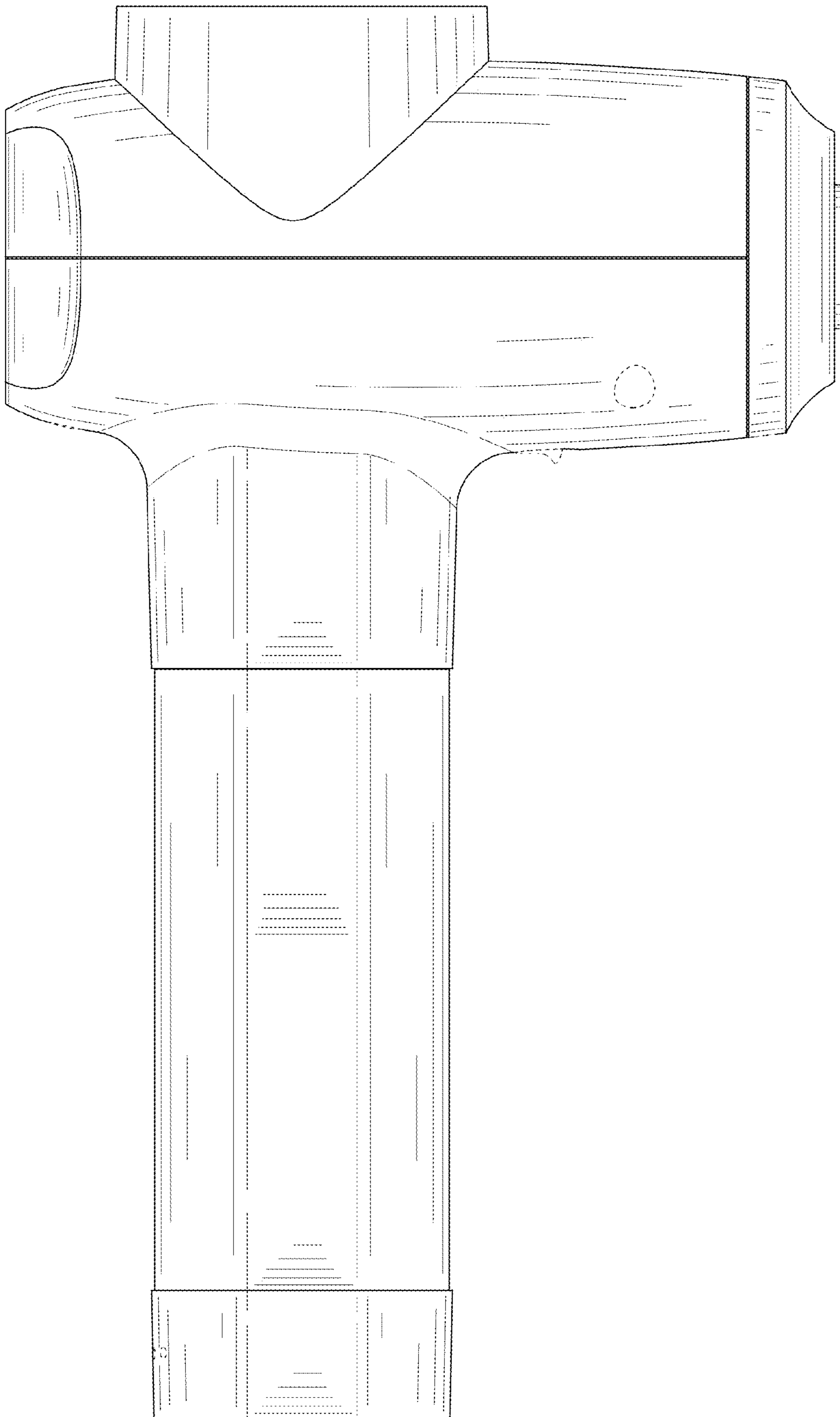


FIG. 5

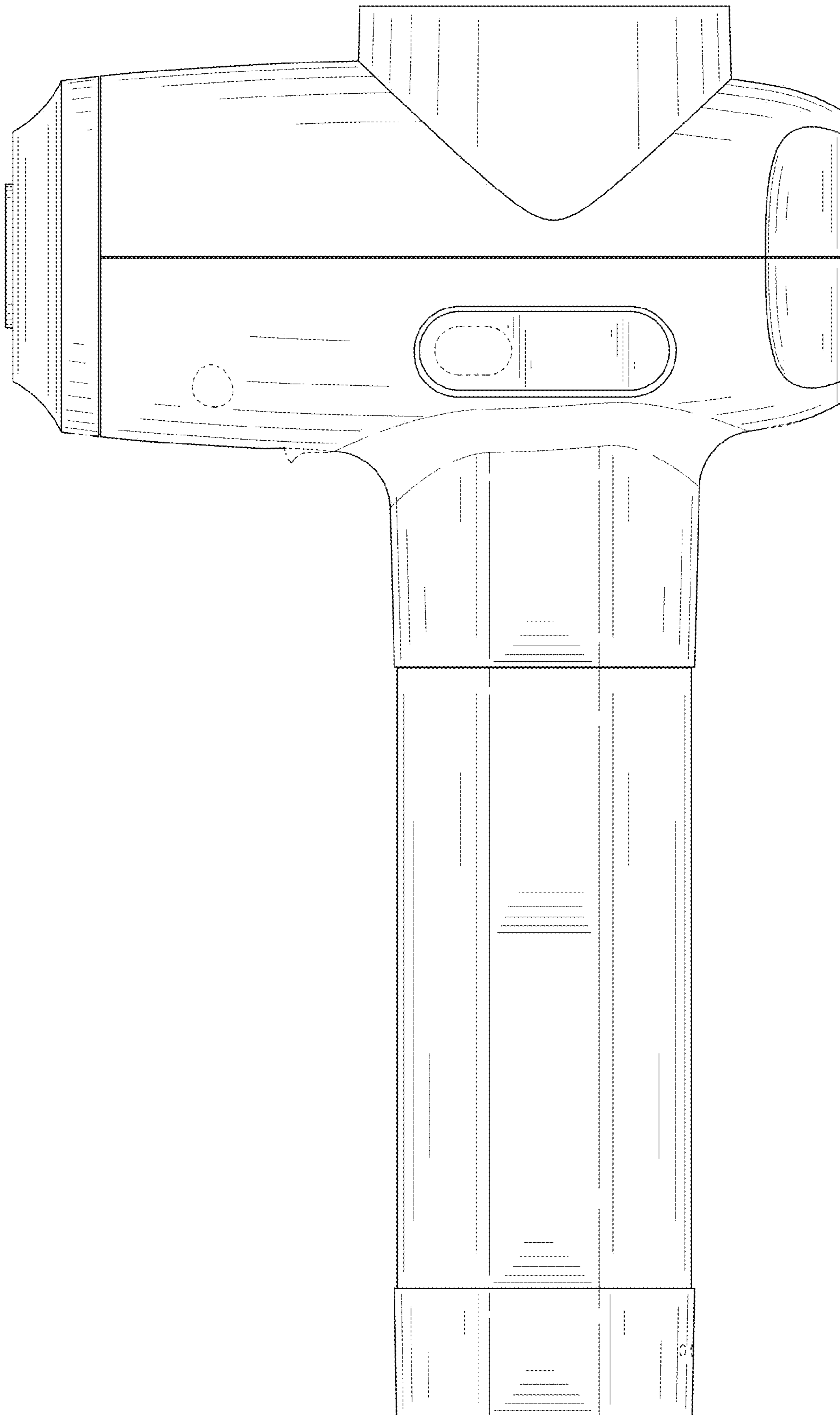


FIG. 6

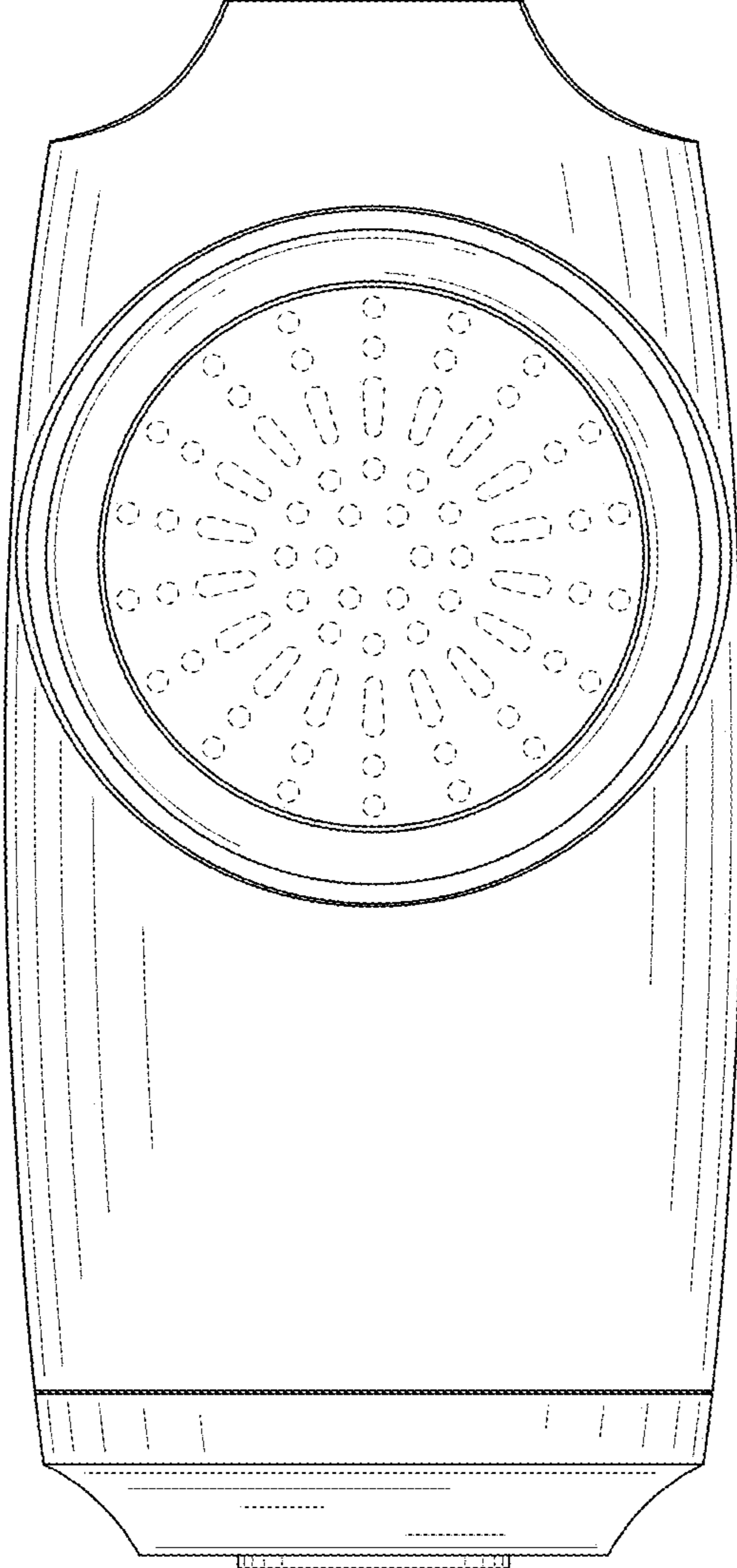


FIG. 7

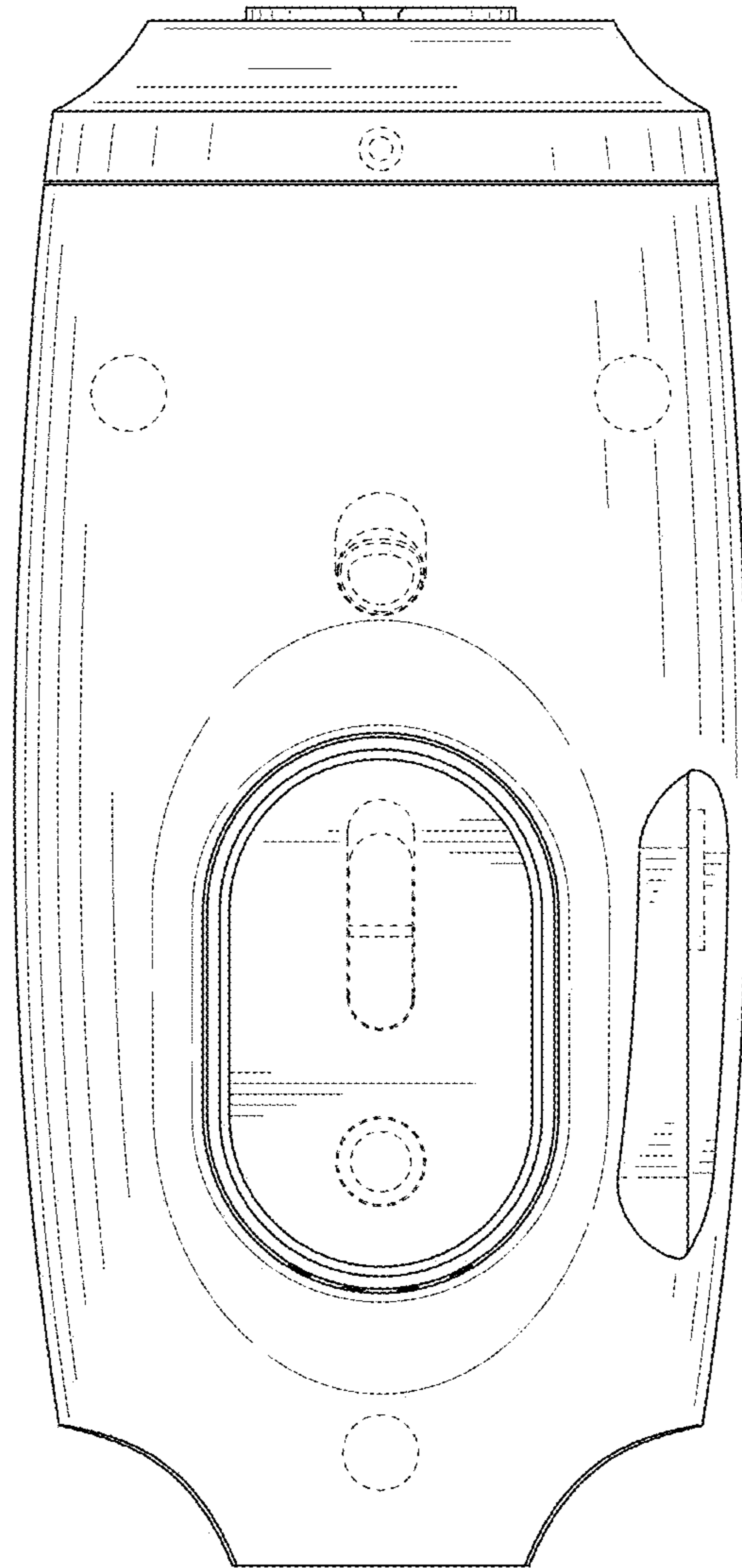


FIG. 8