



US00D926332S

(12) **United States Design Patent**  
**Wang**

(10) **Patent No.:** **US D926,332 S**

(45) **Date of Patent:** **\*\* Jul. 27, 2021**

(54) **BLACKHEAD REMOVER**

(71) Applicant: **Shaowu Wang**, Zhumadian (CN)

(72) Inventor: **Shaowu Wang**, Zhumadian (CN)

(\*\*) Term: **15 Years**

(21) Appl. No.: **29/757,950**

(22) Filed: **Nov. 11, 2020**

(30) **Foreign Application Priority Data**

Oct. 9, 2020 (CN) ..... 202030597994.6

(51) **LOC (13) Cl.** ..... **28-03**

(52) **U.S. Cl.**  
USPC ..... **D24/214**

(58) **Field of Classification Search**  
USPC ..... D24/215, 200, 211, 212, 213, 214, 133,  
D24/188, 107, 231; D10/57; D28/58  
CPC .... A61B 2017/00761; A61B 2017/306; A61B  
2017/00747; A61B 2217/005; A61B  
2018/00452; A61N 5/0616; A61H 35/04;  
A61H 7/003; A61H 7/004; A61H 7/008;  
A61H 7/00; A61M 1/00  
See application file for complete search history.

(56) **References Cited**

**U.S. PATENT DOCUMENTS**

- D606,247 S \* 12/2009 Yu ..... D28/13
- D649,636 S \* 11/2011 Bean ..... D24/133
- D738,516 S \* 9/2015 Karim ..... D24/200
- D747,800 S \* 1/2016 Dunleavy ..... D24/133
- D795,423 S \* 8/2017 Chen ..... D24/133
- D859,681 S \* 9/2019 Tang ..... D24/214
- D861,181 S \* 9/2019 Shen ..... D24/209
- D862,717 S \* 10/2019 Khubani ..... D24/200
- D865,990 S \* 11/2019 Ko ..... D24/215

- D875,267 S \* 2/2020 Zeng ..... D24/214
- D904,687 S \* 12/2020 Xiong ..... D28/13
- D906,530 S \* 12/2020 Liu ..... D24/214
- D909,563 S \* 2/2021 Hou ..... D24/108
- 2004/0236254 A1\* 11/2004 Nichols ..... A61H 9/005  
601/6
- 2014/0074191 A1\* 3/2014 Dunleavy ..... A61N 1/28  
607/88
- 2020/0015841 A1\* 1/2020 Friend ..... A61B 17/320068
- 2020/0179220 A1\* 6/2020 Jablow ..... A61H 1/00

**OTHER PUBLICATIONS**

QRFDIAN Cleansing Brush. Date: Jun. 18, 2020. [online]. [Site visited May 20, 2021], Available from Internet URL: <https://www.amazon.co.uk/dp/B07T7FGYB1/> (Year: 2020).\*

(Continued)

*Primary Examiner* — Susan Bennett Hattan  
*Assistant Examiner* — Landon Thomas Cassell

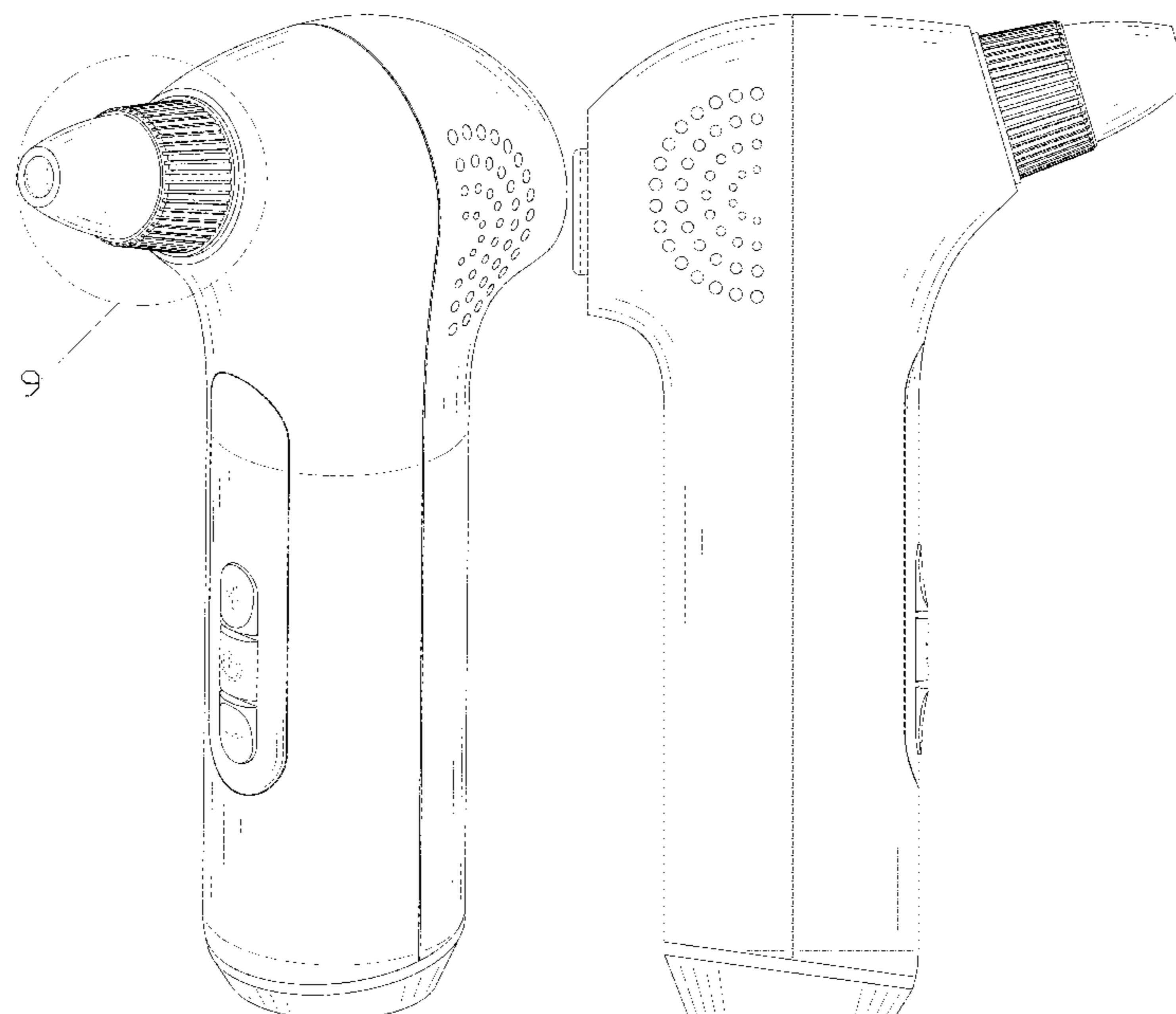
(57) **CLAIM**

The ornamental design for a blackhead remover, as shown and described.

**DESCRIPTION**

FIG. 1 is a perspective view of a blackhead remover showing my new design;  
FIG. 2 is another perspective view thereof;  
FIG. 3 is a front elevational view thereof;  
FIG. 4 is a rear elevational view thereof;  
FIG. 5 is a left side elevational view thereof;  
FIG. 6 is a right side elevational view thereof;  
FIG. 7 is a top plan view thereof;  
FIG. 8 is a bottom plan view thereof; and,  
FIG. 9 is an enlarged view of portion 9 shown in FIG. 1.  
The broken lines in the drawings depict portions of the blackhead remover that form no part of the claimed design.

**1 Claim, 9 Drawing Sheets**



(56)

**References Cited**

OTHER PUBLICATIONS

Blackhead Remover Vacuum. Date: Jul. 12, 2020. [online]. [Site visited May 20, 2021], Available from Internet URL: <https://www.amazon.ca/dp/B089Y7TSXX/> (Year: 2020).\*

Facial Cleansing Brush. Date: May 12, 2018. [online]. [Site visited May 20, 2021], Available from Internet URL: <https://www.amazon.com/dp/B07GGXZR4G/> (Year: 2018).\*

Blackhead Removers. (Design—© Questel) orbit.com. [Online PDF compilation of references] 59 pgs. Print Dates Range Sep. 4, 2013-Aug. 14, 2020 [Retrieved May 25, 2021] <https://www.orbit.com/export/UCZAH96B/pdf4/a33fcc35-d54e-4a0f-9d51-917180f3cb77-160308.pdf> (Year: 2021).\*

\* cited by examiner

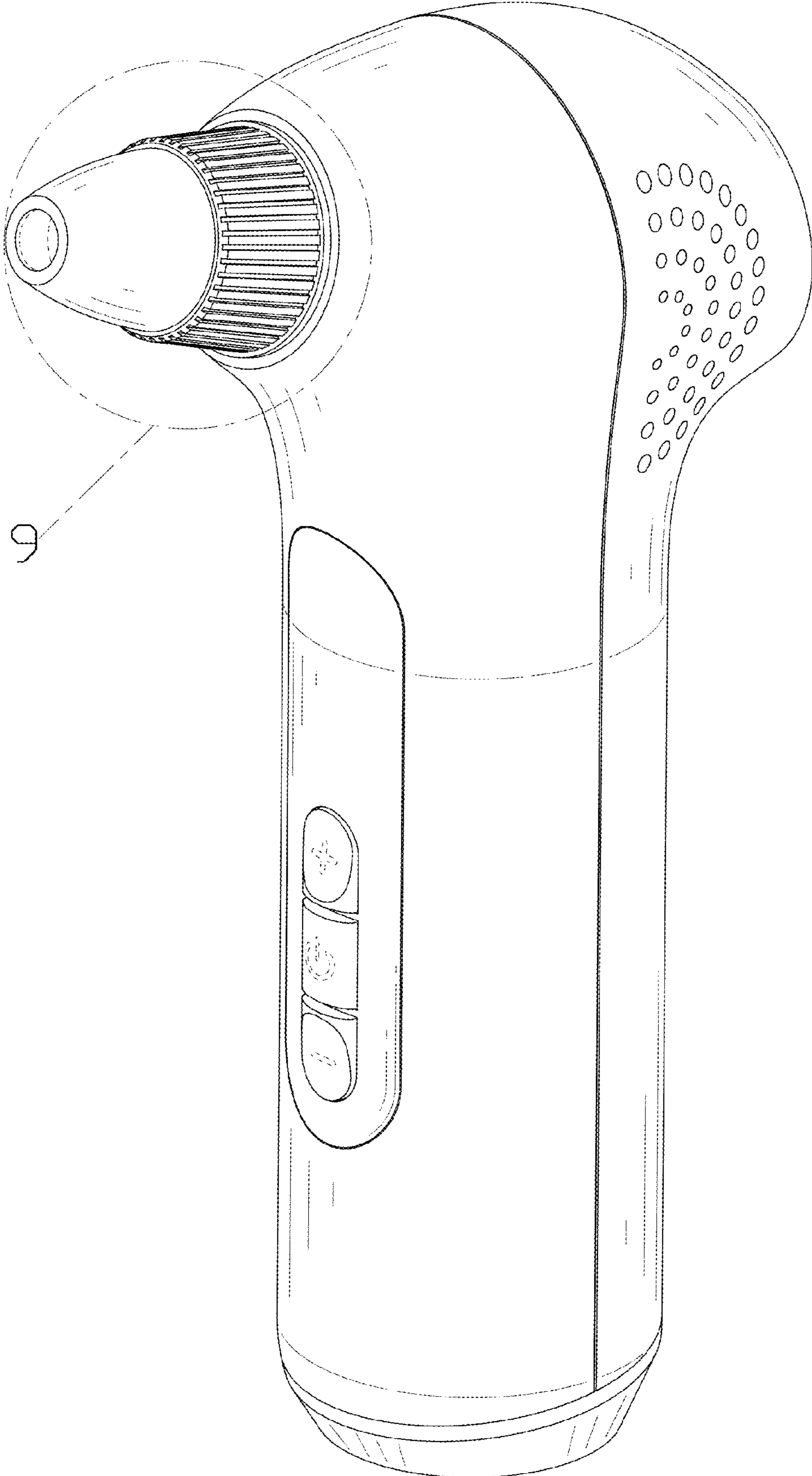


FIG. 1

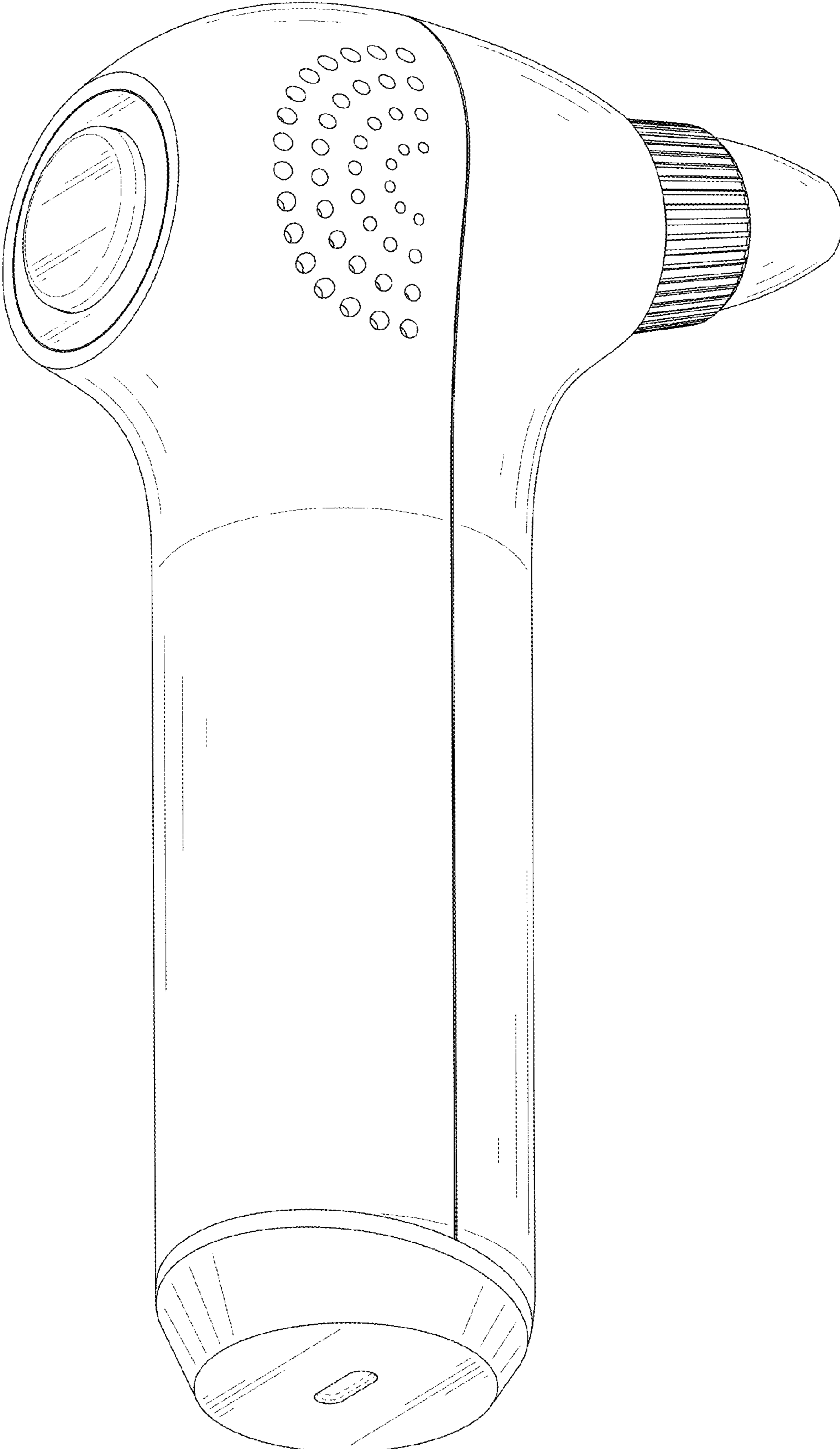


FIG. 2

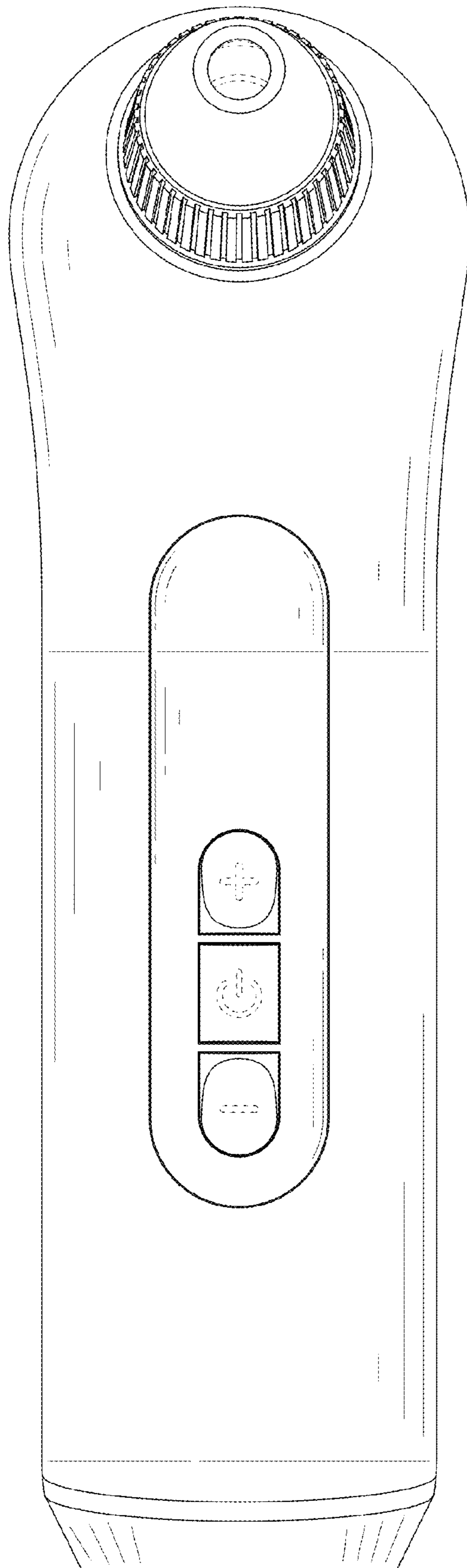


FIG. 3

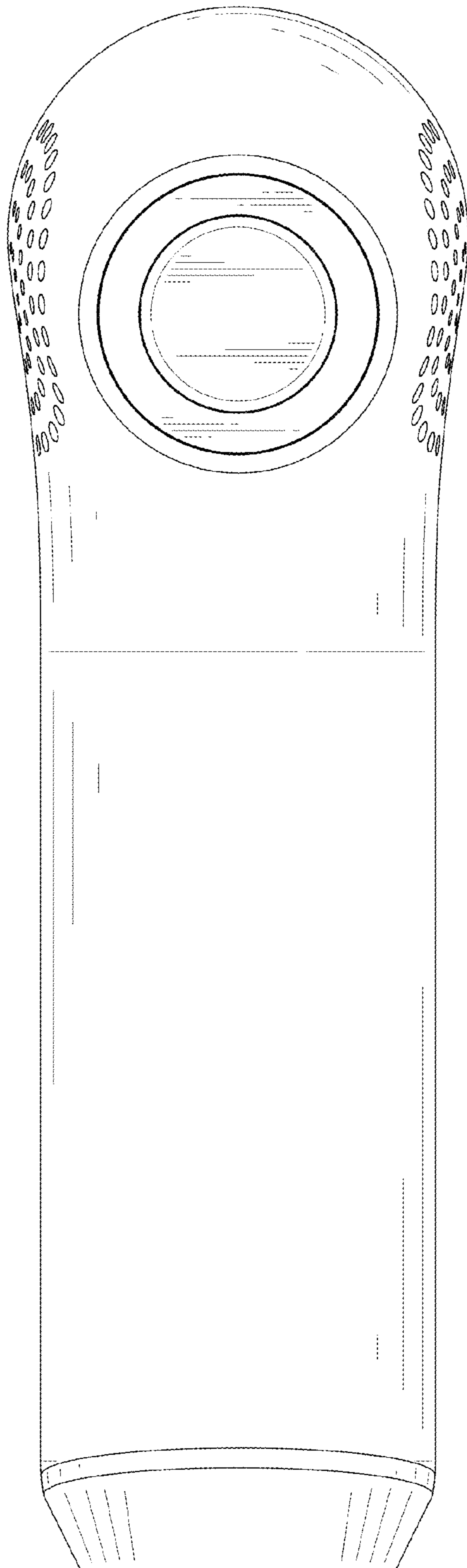


FIG. 4

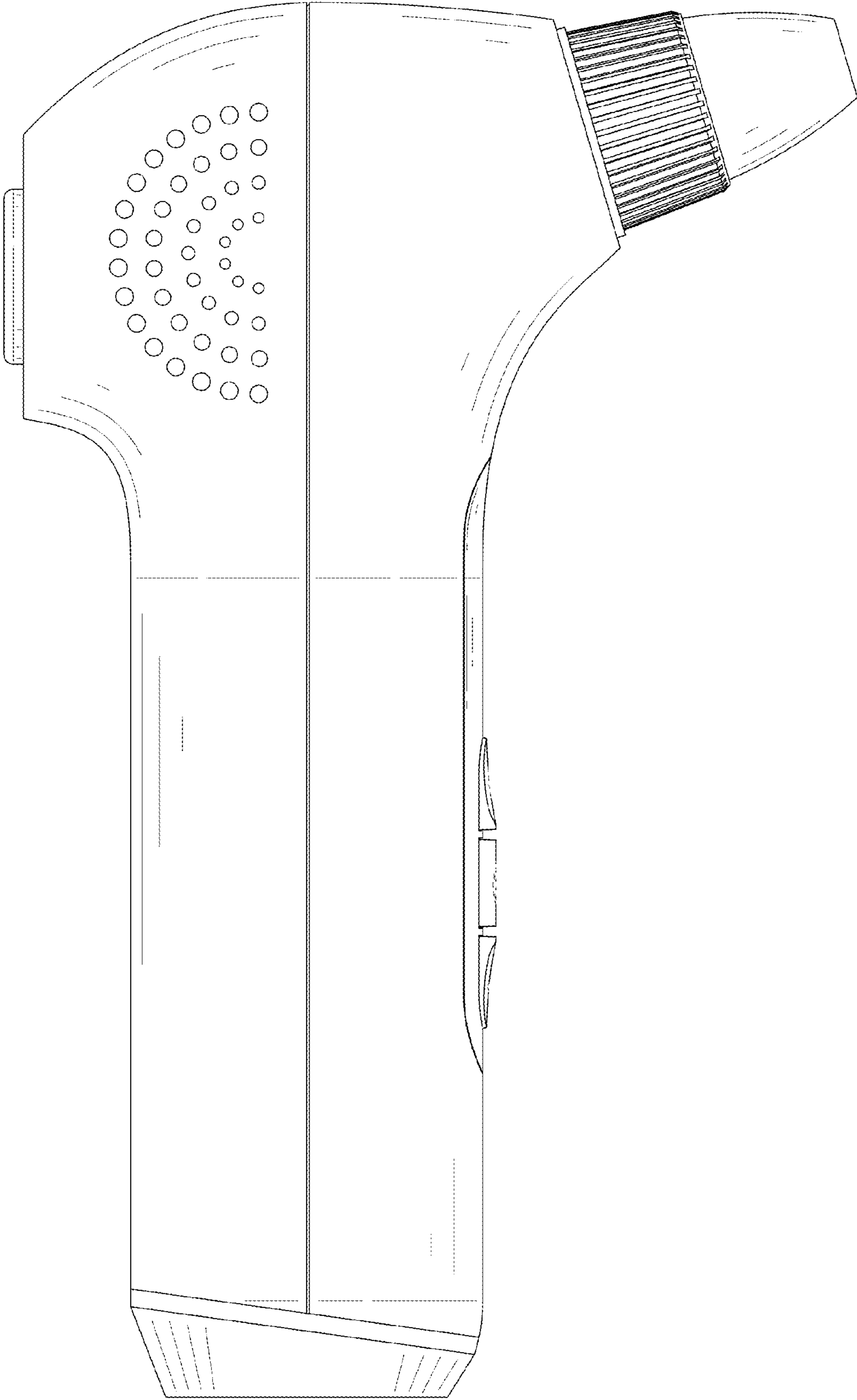


FIG. 5

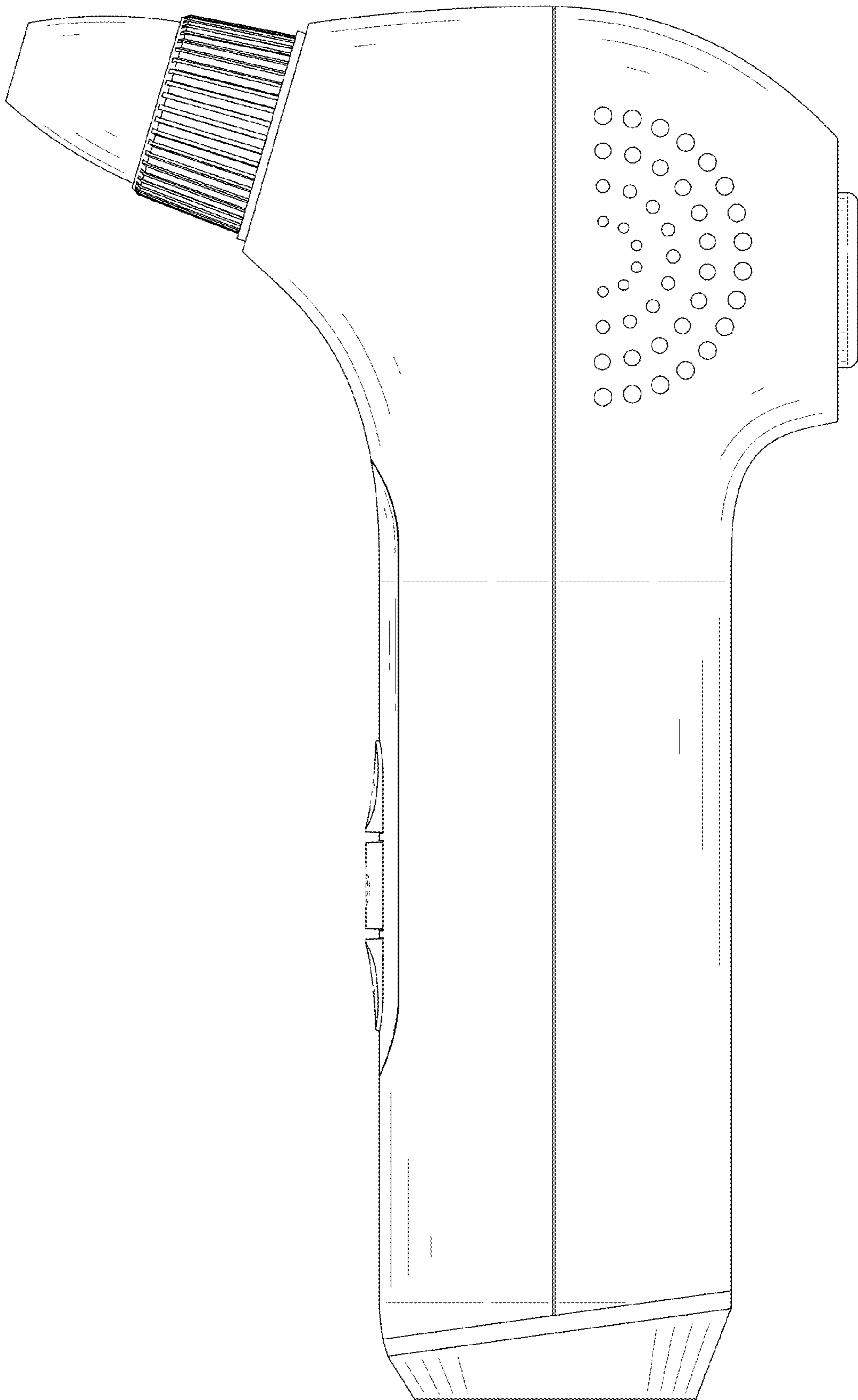


FIG. 6



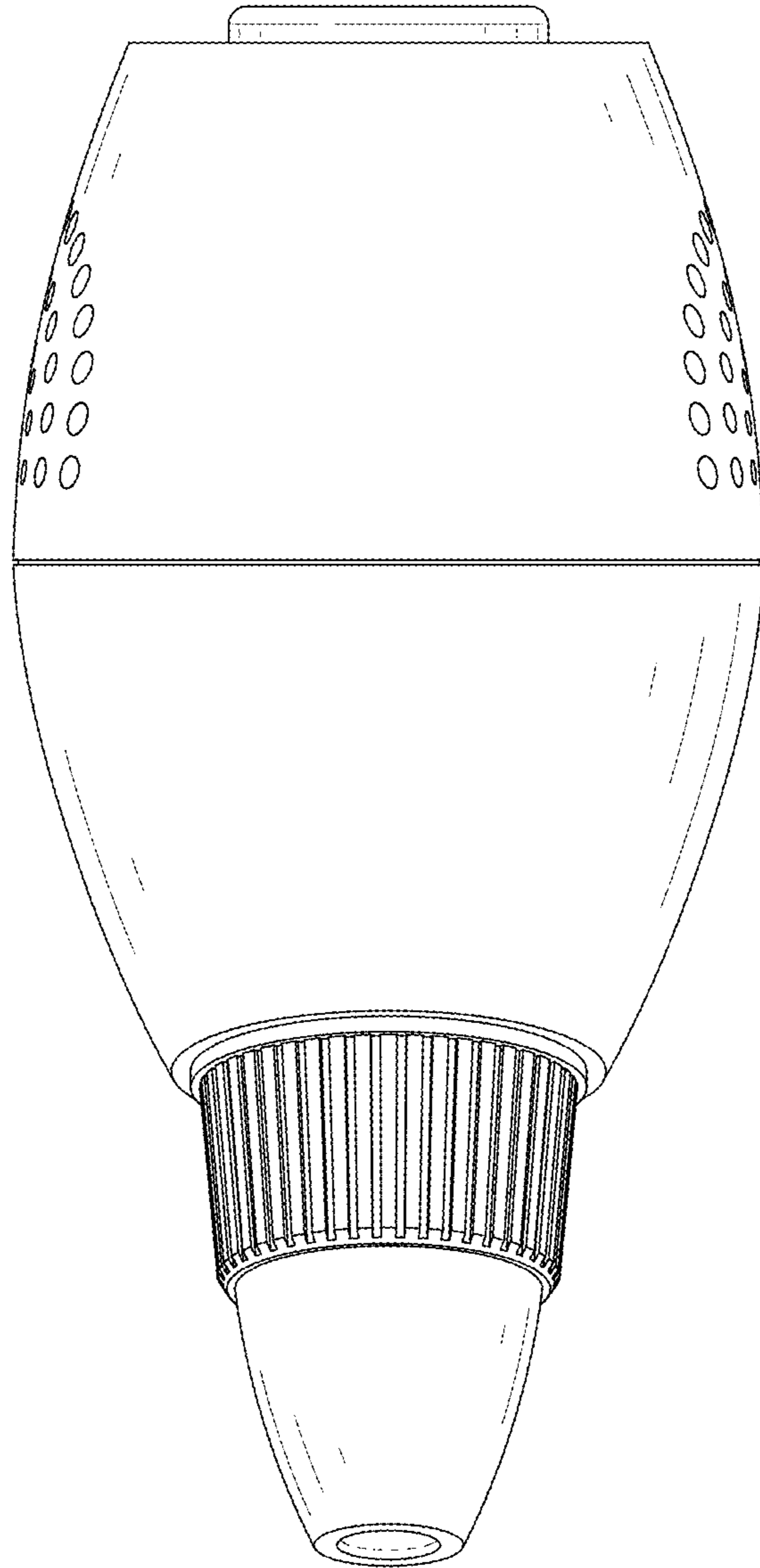


FIG. 7

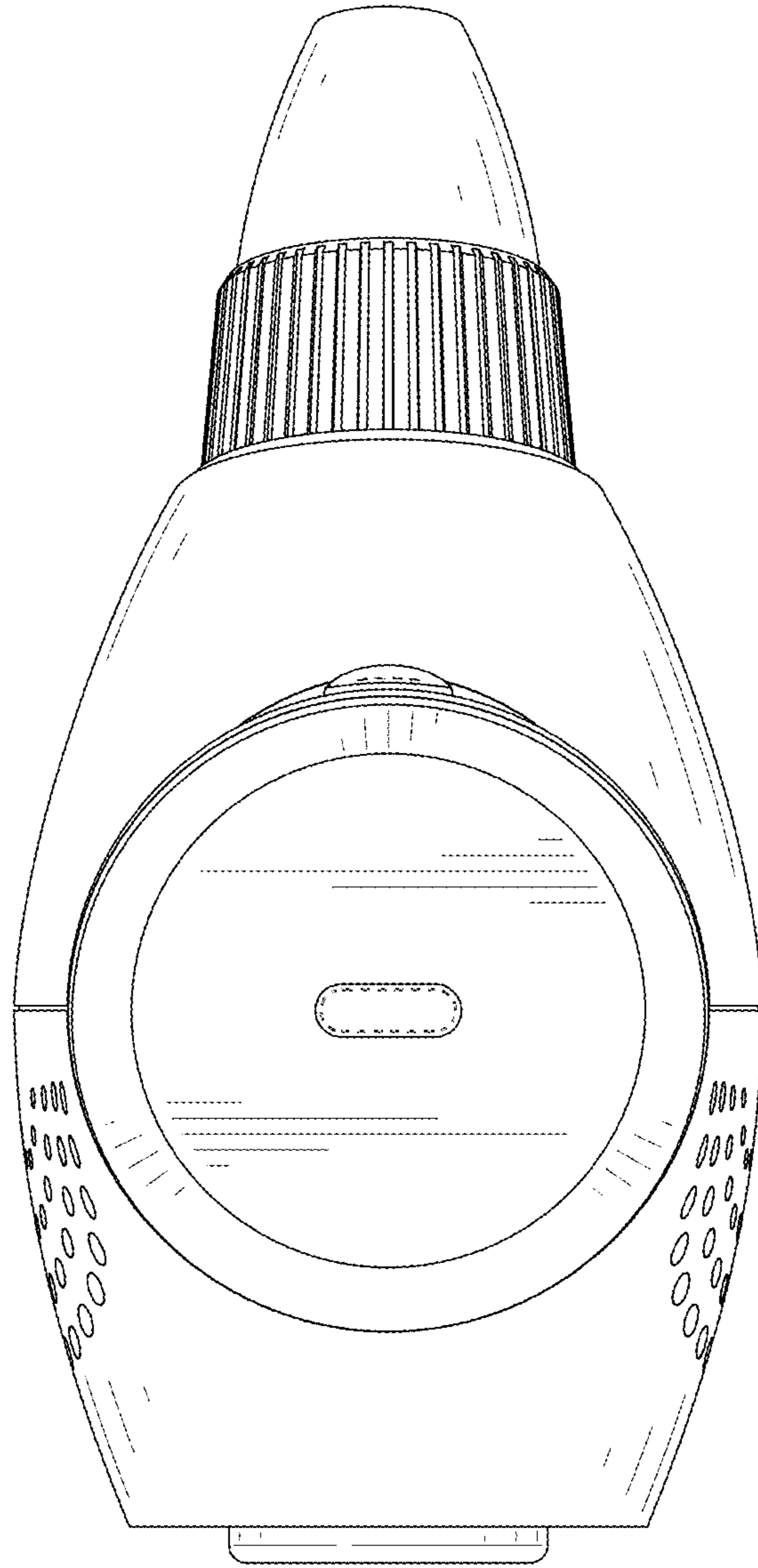


FIG. 8

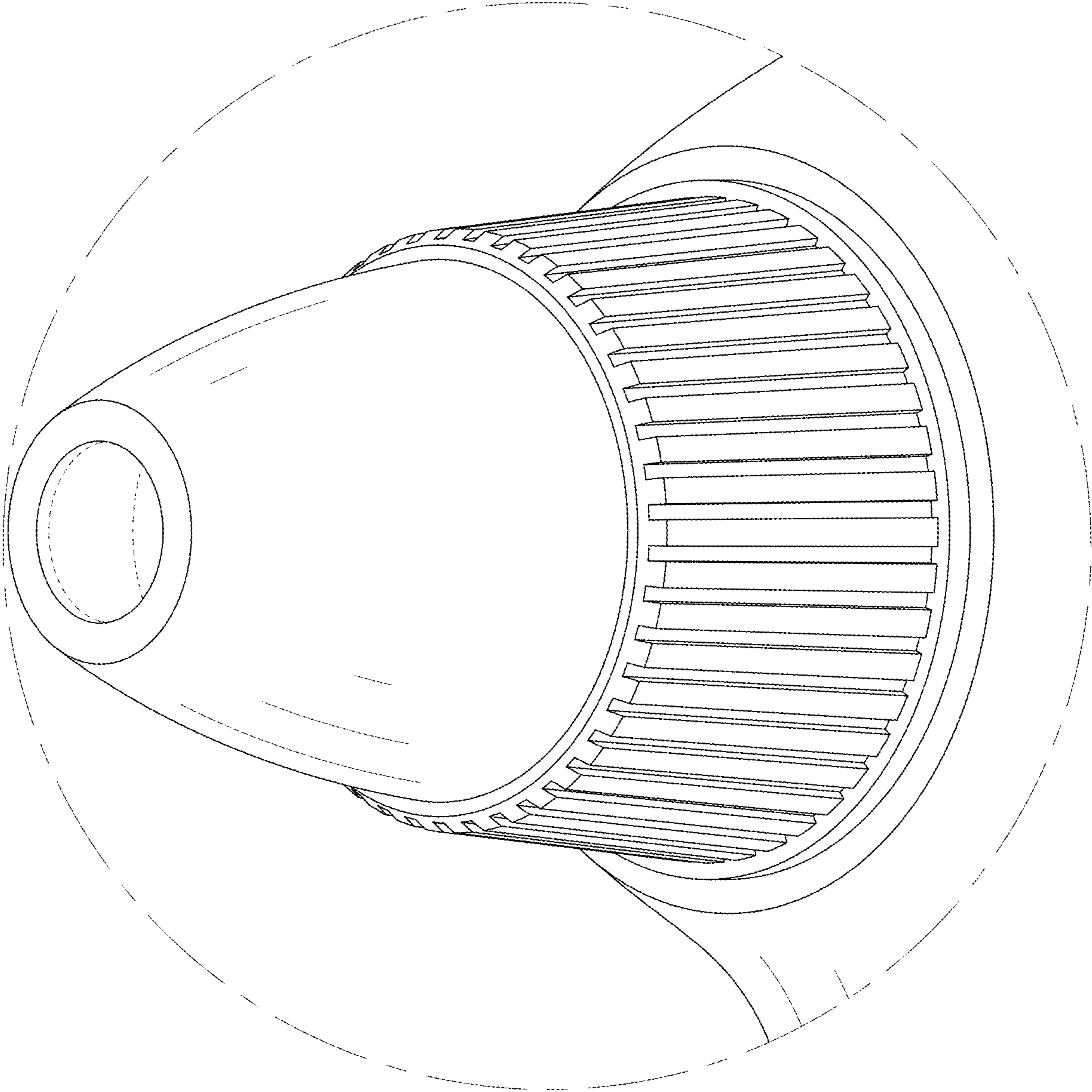


FIG. 9