



US00D926327S

(12) **United States Design Patent** (10) **Patent No.:** **US D926,327 S**
Douglas et al. (45) **Date of Patent:** **** Jul. 27, 2021**

(54) **PACIFIER HANDLE**

(71) Applicant: **Quintessential Tots, LLC**, Naperville, IL (US)
(72) Inventors: **Kelly Douglas**, Naperville, IL (US); **Maureen Salazar**, Chicago, IL (US)
(73) Assignee: **Quintessential Tots, LLC**, Naperville, IL (US)

(**) Term: **15 Years**

(21) Appl. No.: **29/723,283**

(22) Filed: **Feb. 5, 2020**

(51) **LOC (13) Cl.** **24-04**

(52) **U.S. Cl.**
USPC **D24/194**

(58) **Field of Classification Search**
USPC D24/194, 195, 196; D30/160
CPC A61J 17/001
See application file for complete search history.

(56) **References Cited**

U.S. PATENT DOCUMENTS

D413,387 S *	8/1999	Fitzpatrick	D24/194
D440,718 S *	4/2001	Florance	D30/160
D477,411 S *	7/2003	Kroepel	D24/194
6,776,157 B2 *	8/2004	Williams	A61J 7/0053 128/203.12
D539,430 S *	3/2007	Lowsky, Jr.	D24/194
D594,559 S *	6/2009	Kliegman	D24/194
D602,299 S *	10/2009	Heroux	D6/601
D669,224 S *	10/2012	Morris	D28/92
D710,554 S *	8/2014	Byrne	D30/160
2003/0100922 A1 *	5/2003	Fitzpatrick	A61J 17/001 606/234
2009/0248074 A1 *	10/2009	Kliegman	A61J 17/001 606/236
2009/0249571 A1 *	10/2009	Rohrig	A46B 5/02 15/167.2
2019/0254933 A1 *	8/2019	Lake	A61J 17/001

OTHER PUBLICATIONS

“Itzy Ritzy: Sweetie Soother Pacifier: Braid”. Found online Mar. 19, 2021 at facebook.com. Reference dated Apr. 11, 2019. Retrieved from <https://www.facebook.com/18774899028/photos/pb.100044579702967.-2207520000..10156960712859029/?type=3>.
“Boon Inc: Jewl Pacifier”. Found online Apr. 3, 2020 at facebook.com. Reference dated Jun. 3, 2019. Retrieved from <https://www.facebook.com/booninc/photos/a.160412824261/10156777600174262/?type=3>.
“ChewBeads: Mulberry Teether”. Found online Jul. 3, 2019 at mbeans.com. Reference dated Aug. 3, 2013. Retrieved from <https://mbeans.com/chewbeads-mulberry-teether>.
“Itzy Ritzy: Bitzy Biter Lemon Teething Ball”. Found online Jan. 21, 2020 at amazon.com. Reference dated Jan. 16, 2019. Retrieved from https://www.amazon.com/Itzy-Ritzy-Teething-Training-Toothbrush/dp/B07M7D6PY3/ref=cm_cr_ar_p_d_product_top?ie=UTF8&th=1.
Ryan & Rose webpage—<https://www.ryanandrose.co>—three (3) pages.

* cited by examiner

Primary Examiner — Kendra Leslie Hamilton

(74) *Attorney, Agent, or Firm* — Greenberg Traurig, LLP

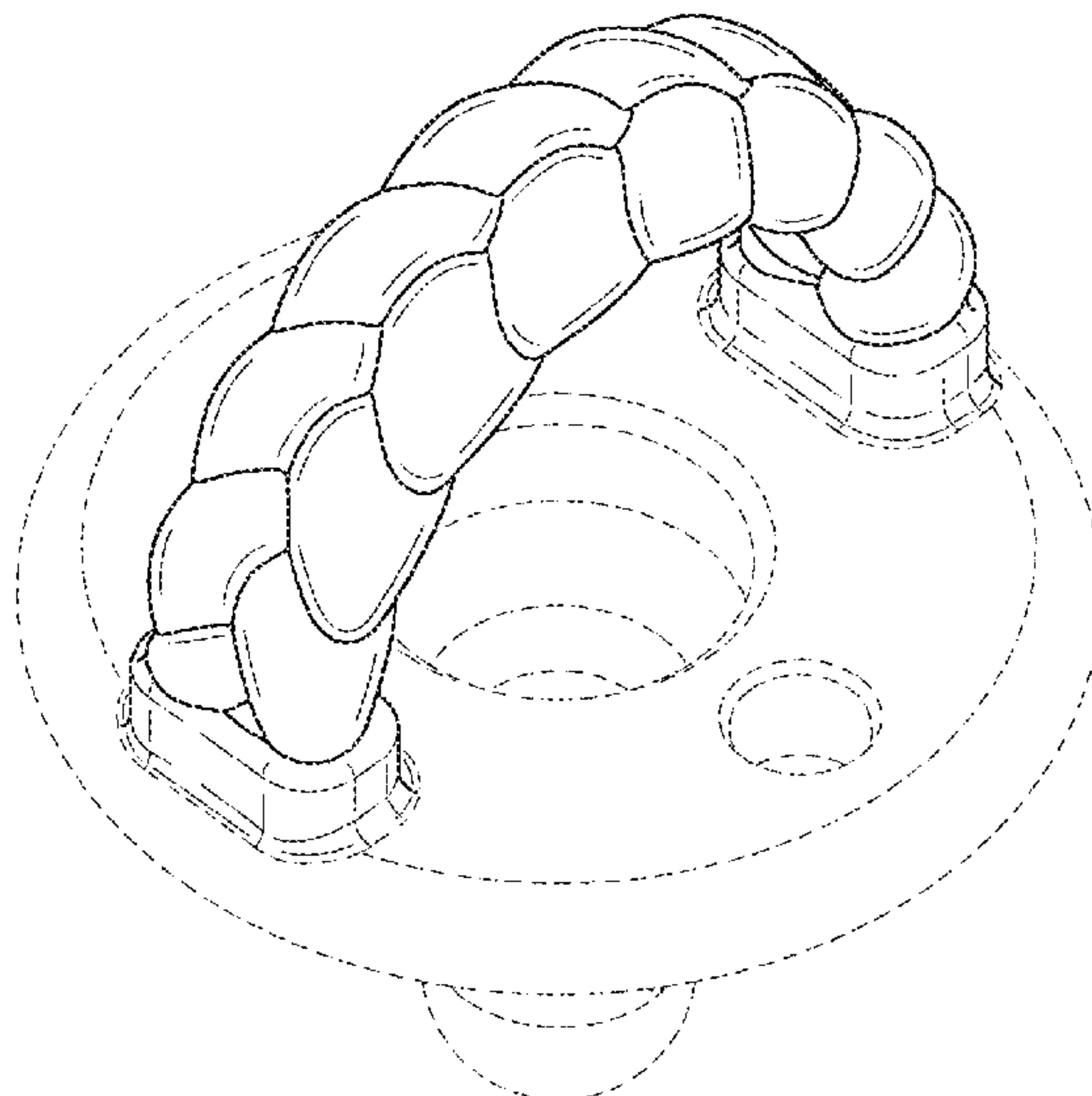
(57) **CLAIM**

The ornamental design for a pacifier handle, as shown and described.

DESCRIPTION

FIG. 1 is a top perspective view of a pacifier handle showing my new design;
FIG. 2 is top plan view thereof;
FIG. 3 is a bottom plan view thereof;
FIG. 4 is a front side elevational view thereof;
FIG. 5 is a rear side elevational view thereof;
FIG. 6 is a left side elevational view thereof; and,
FIG. 7 is a right side elevational view thereof.
The broken lines depict portions of the pacifier that form no part of the claimed design.

1 Claim, 4 Drawing Sheets



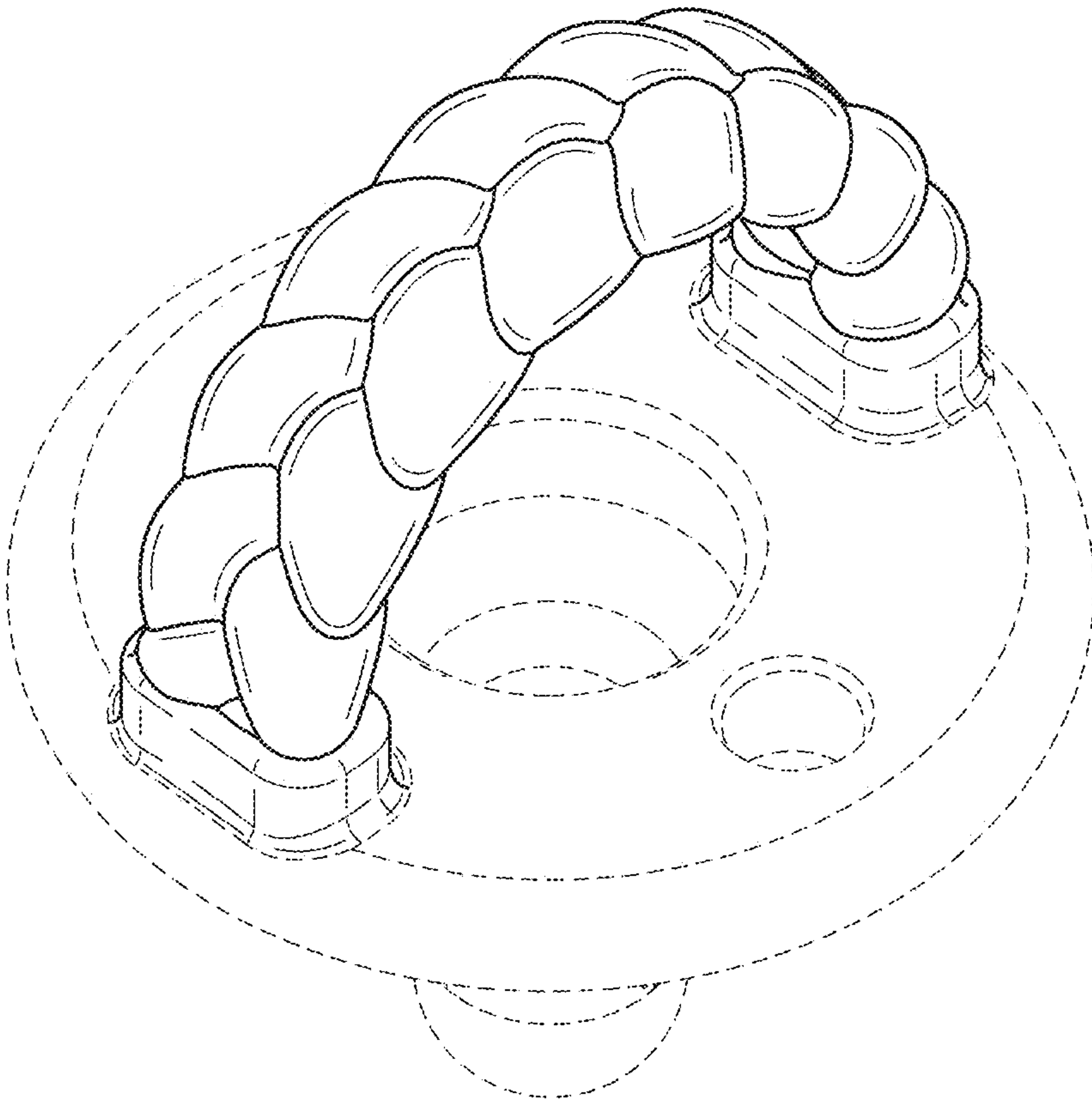


FIG. 1

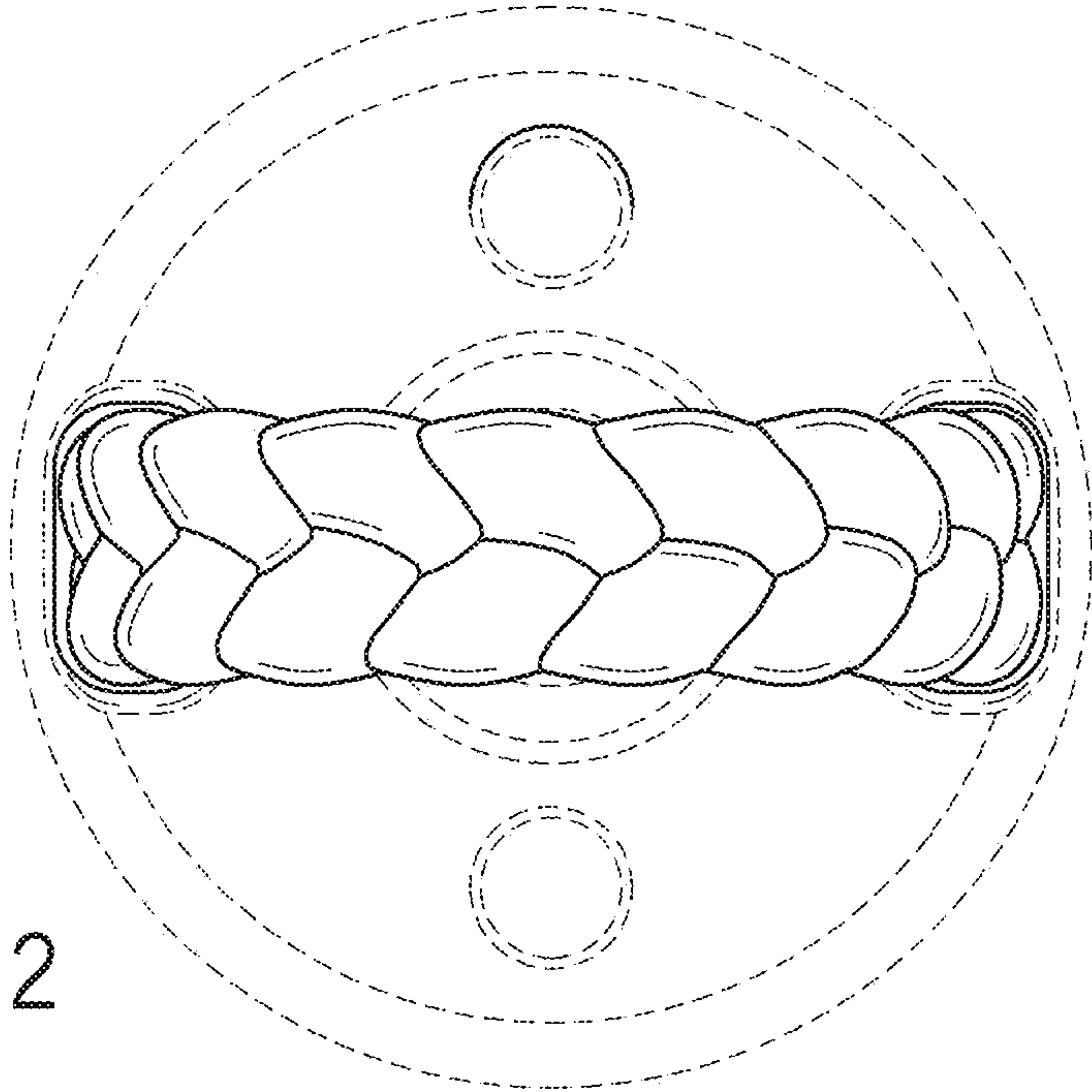


FIG. 2

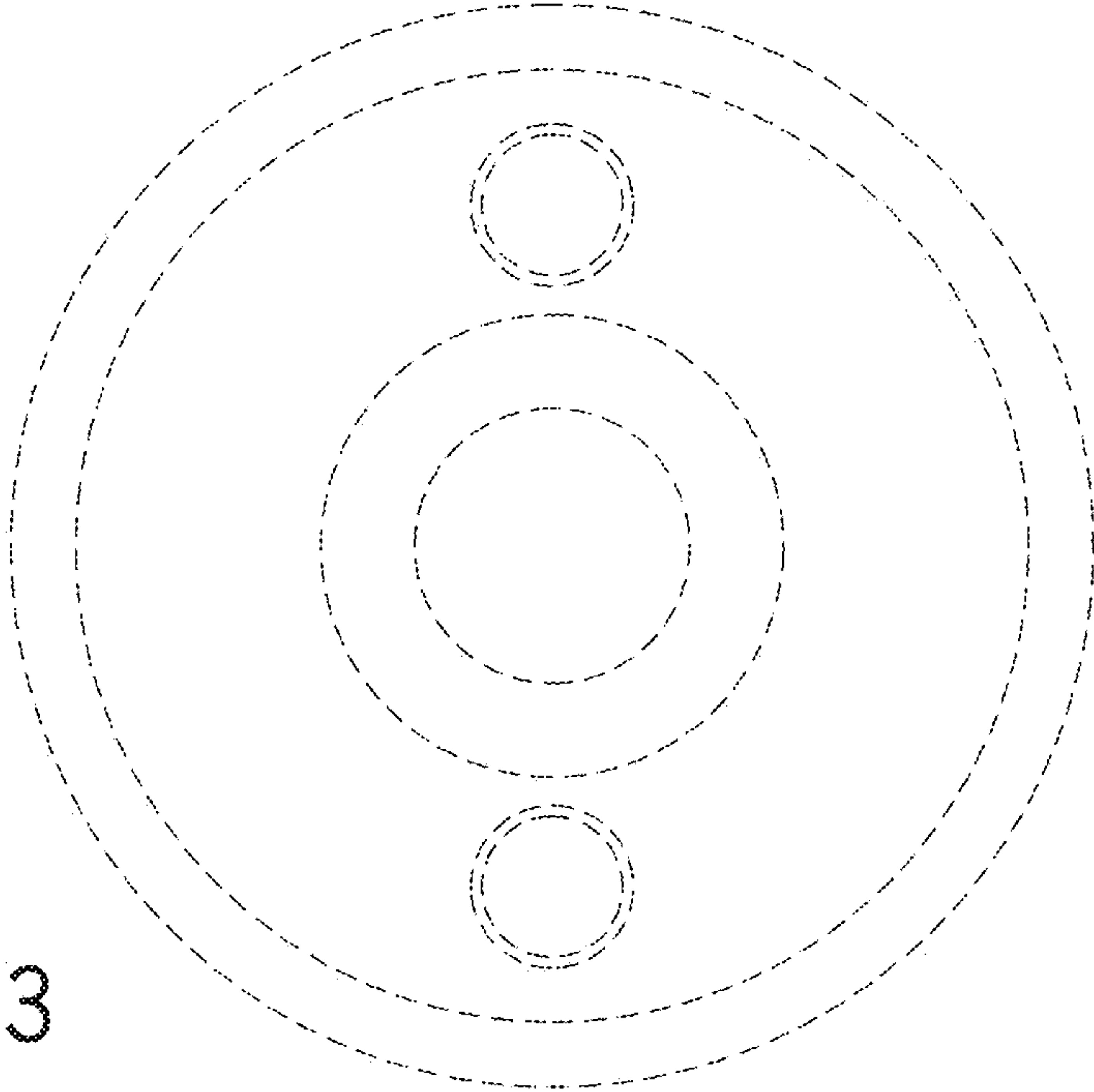


FIG. 3

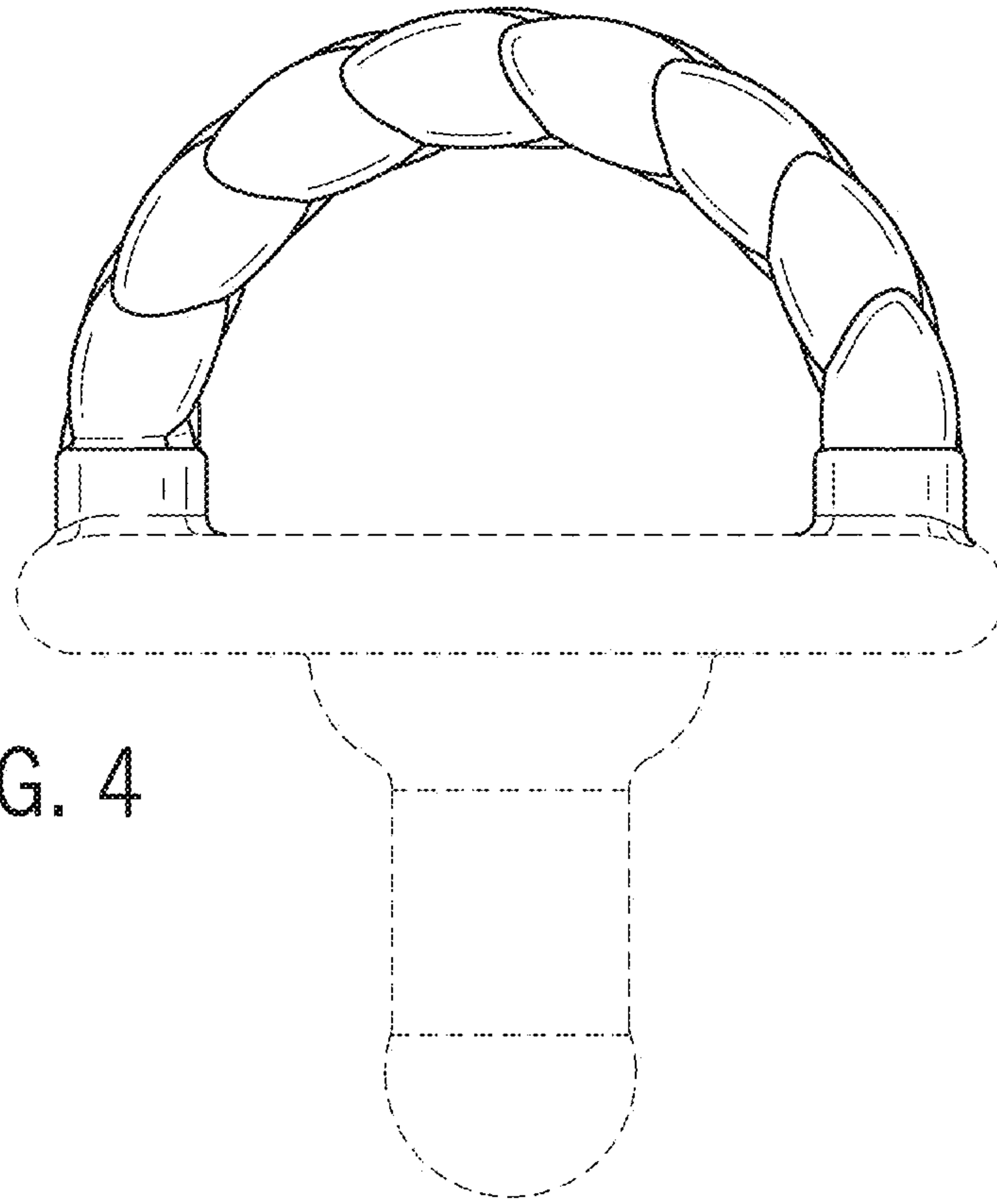


FIG. 4

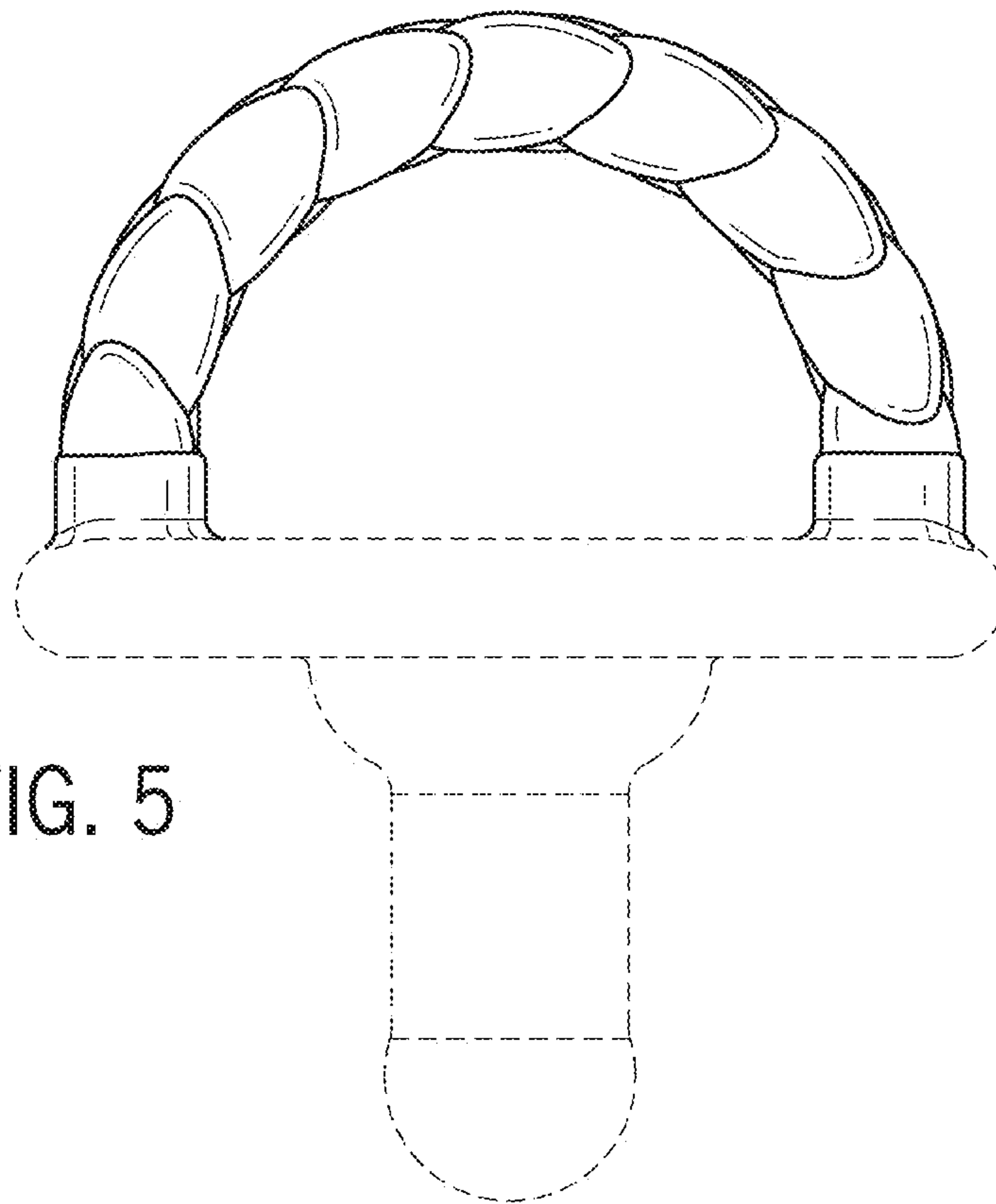


FIG. 5

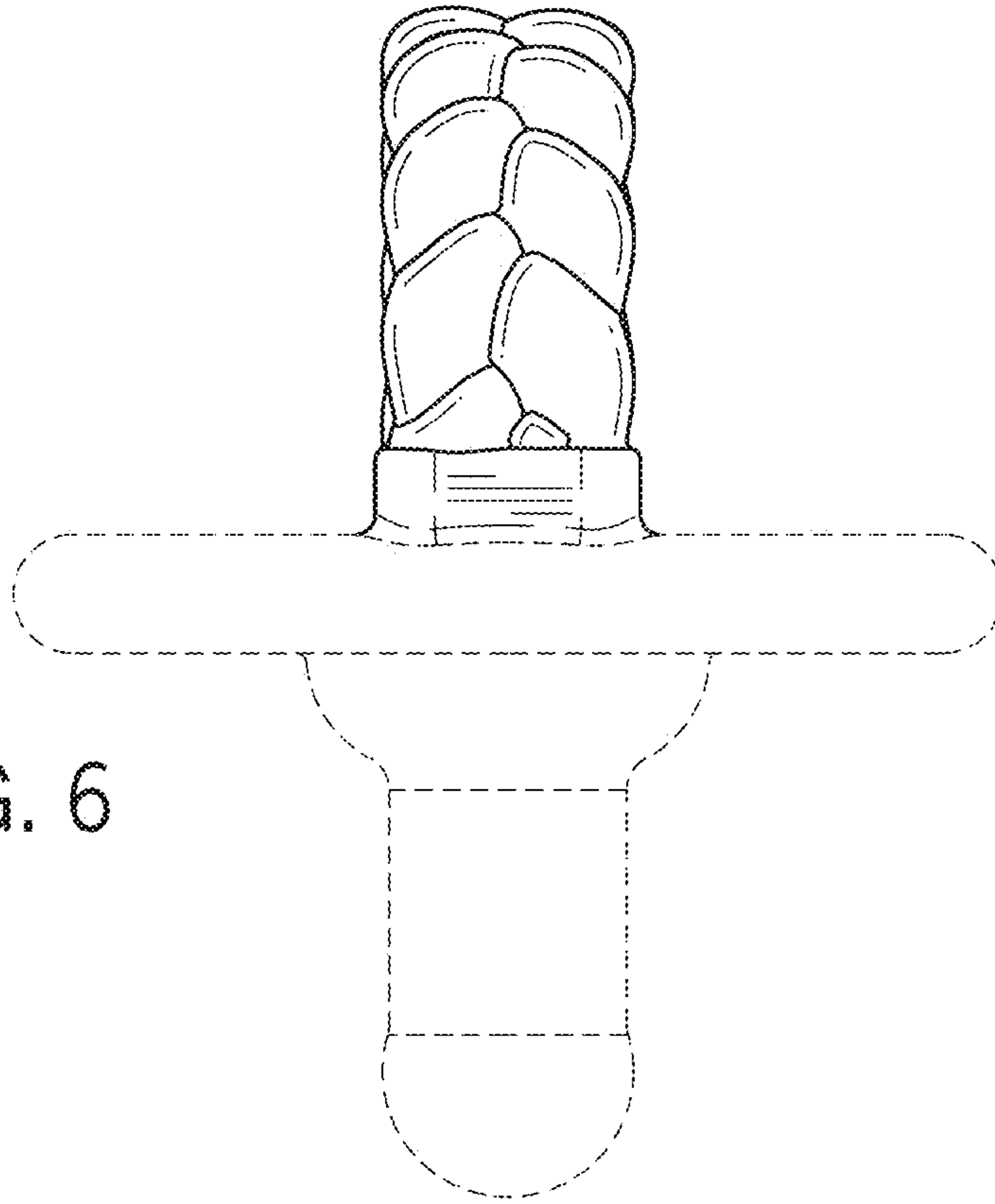


FIG. 6

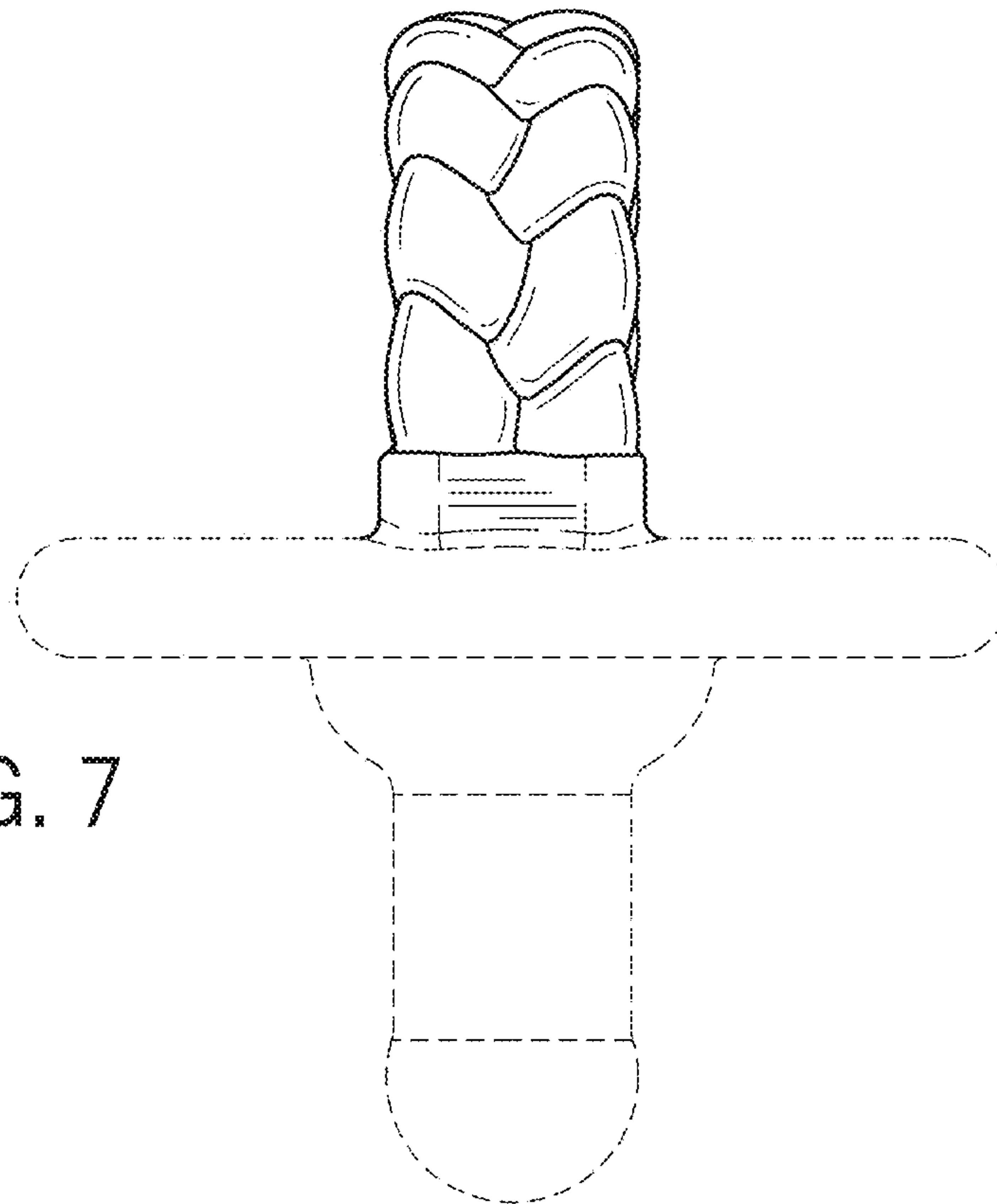


FIG. 7