



US00D926321S

(12) **United States Design Patent** (10) **Patent No.:** **US D926,321 S**
Sweeney et al. (45) **Date of Patent:** **** Jul. 27, 2021**

(54) **BONE INSTRUMENT SHANK**

FOREIGN PATENT DOCUMENTS

(71) Applicant: **Spinal Generations, LLC**, Mokena, IL (US)

GB 9006574711-0001 * 12/2018

Primary Examiner — L. A. Grabenstetter

(72) Inventors: **Patrick J. Sweeney**, Flossmoor, IL (US); **Matthew V. Leyden**, St. Paul, MN (US)

(74) *Attorney, Agent, or Firm* — Foley & Lardner LLP

(73) Assignee: **Spinal Generations, LLC**, Mokena, IL (US)

(57) **CLAIM**

We claim the ornamental design for a bone instrument shank, as shown and described.

(**) Term: **15 Years**

DESCRIPTION

(21) Appl. No.: **29/696,644**

(22) Filed: **Jun. 28, 2019**

Related U.S. Application Data

(63) Continuation of application No. 29/673,291, filed on Dec. 13, 2018.

(51) **LOC (13) Cl.** **24-01**

(52) **U.S. Cl.**
USPC **D24/146**

(58) **Field of Classification Search**
USPC D8/70, 354; D24/127, 128, 133, 140, D24/145–147, 155, 156; D15/21, 139
CPC A61B 17/1615; A61B 17/1697
See application file for complete search history.

(56) **References Cited**

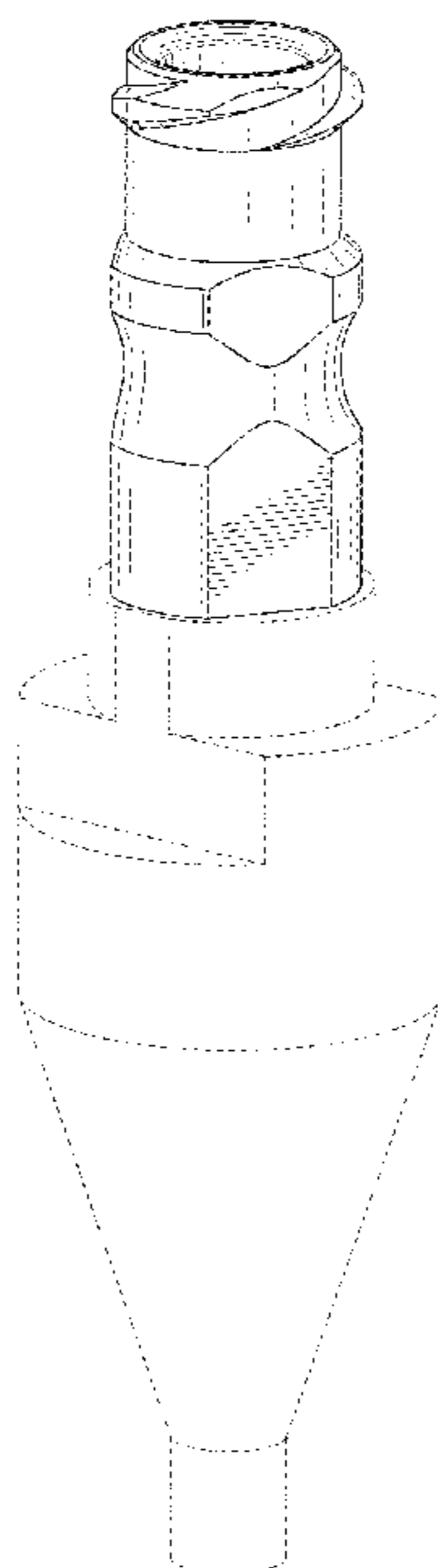
U.S. PATENT DOCUMENTS

D242,428 S	11/1976	Morris	
D358,212 S	5/1995	Sullivan	
D362,720 S *	9/1995	Holmen	D24/155
D366,115 S	1/1996	Sullivan	
D378,314 S *	3/1997	Koros	D24/155

(Continued)

FIG. 1 is a front, right perspective view of the first embodiment of the claimed design;
FIG. 2 is a rear right perspective view of the claimed design of FIG. 1;
FIG. 3 is a front side view of the claimed design of FIG. 1;
FIG. 4 is a rear side view of the claimed design of FIG. 1;
FIG. 5 is a right side view of the claimed design of FIG. 1;
FIG. 6 is a left side view of the claimed design of FIG. 1;
FIG. 7 is a top view of the claimed design of FIG. 1;
FIG. 8 is a bottom view of the claimed design of FIG. 1;
FIG. 9 is a front, right perspective view of the second embodiment of the claimed design;
FIG. 10 is a rear right perspective view of the claimed design of FIG. 9;
FIG. 11 is a front side view of the claimed design of FIG. 9;
FIG. 12 is a rear side view of the claimed design of FIG. 9;
FIG. 13 is a right side view of the claimed design of FIG. 9;
FIG. 14 is a left side view of the claimed design of FIG. 9;
FIG. 15 is a top view of the claimed design of FIG. 9; and,
FIG. 16 is a bottom view of the claimed design of FIG. 9.
The broken lines in the drawings are for illustrative purposes only and form no part of the claimed design.

1 Claim, 14 Drawing Sheets



(56)

References Cited

U.S. PATENT DOCUMENTS

D390,956 S *	2/1998	Sjostrom	D24/146
6,186,712 B1 *	2/2001	Senzaki	B23B 31/026 279/125
D441,448 S	5/2001	Kumar	
D449,504 S *	10/2001	Boyle	D8/70
D574,958 S	8/2008	Schendel et al.	
D606,196 S *	12/2009	Fares	D24/156
D614,941 S	5/2010	Murphy	
D637,289 S *	5/2011	Berberich	D24/146
D652,929 S *	1/2012	Sibhatu	D24/156
D666,298 S *	8/2012	Sibhatu	D24/156
D706,893 S	6/2014	Diederich	
D710,175 S *	8/2014	Moss	D8/70
D732,669 S *	6/2015	Fisler	D24/156
D744,106 S	11/2015	Voudouris	
D773,926 S	12/2016	Sweeney et al.	
D801,796 S	11/2017	Sweeney et al.	
D803,038 S	11/2017	Baker et al.	
D803,039 S	11/2017	Karlsson	
D828,153 S	9/2018	Sato	
D830,820 S	10/2018	Sweeney	
D831,475 S	10/2018	Sweeney et al.	
D831,476 S	10/2018	Sweeney et al.	
D836,976 S	1/2019	Reese et al.	
D837,047 S	1/2019	Lin	
2011/0056166 A1	3/2011	Bartlett	
2011/0257691 A1	10/2011	Sutterlin et al.	
2014/0309641 A1 *	10/2014	Bourque	A61B 17/16 606/80
2020/0187960 A1 *	6/2020	Sweeney	A61B 10/025

* cited by examiner

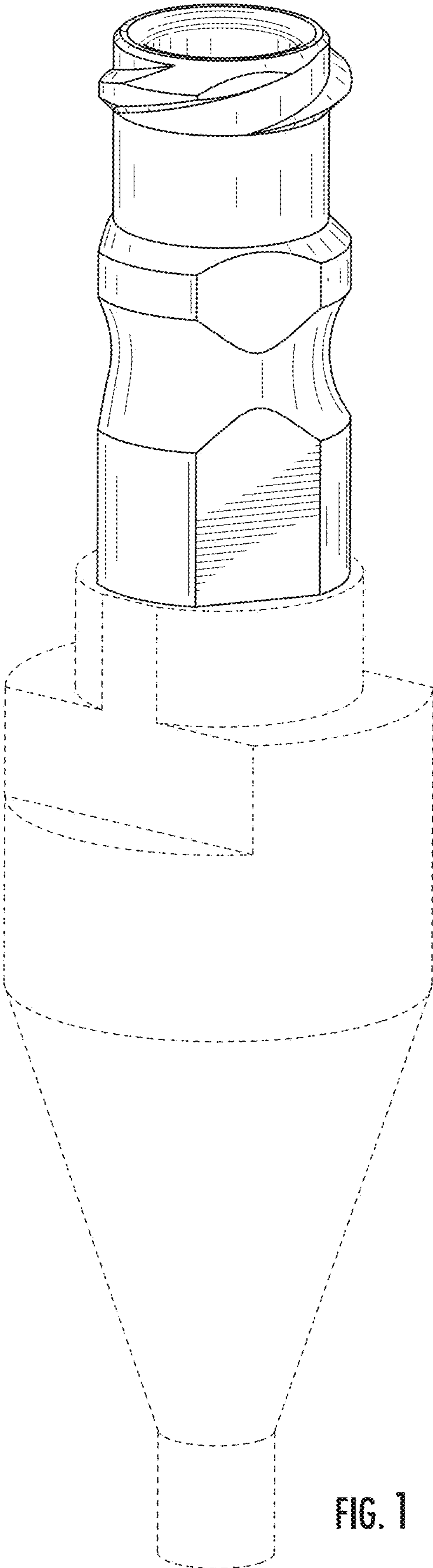


FIG. 1

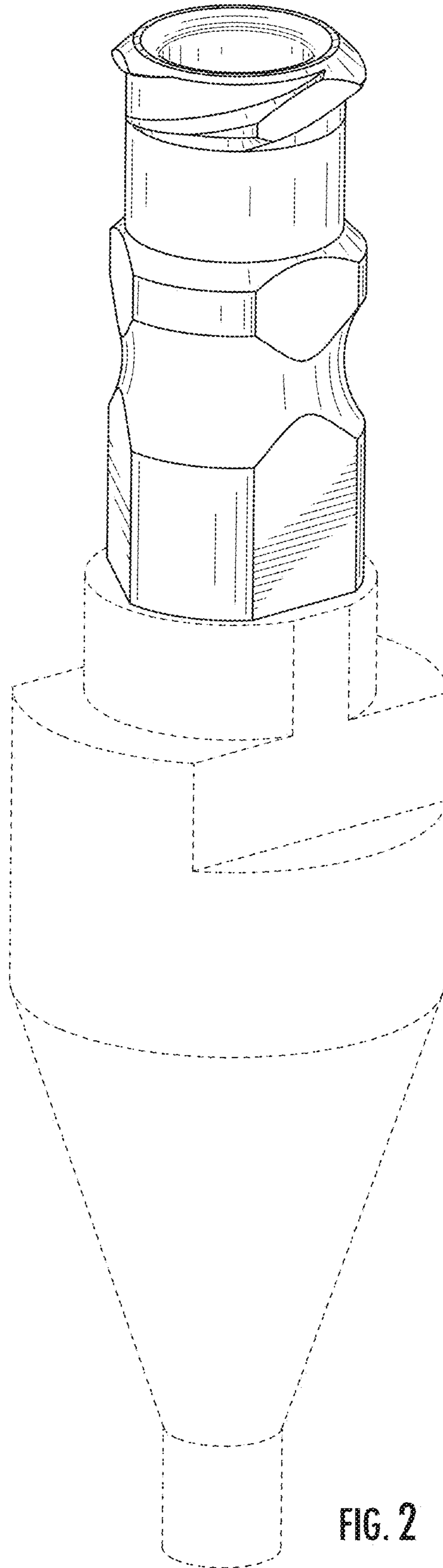


FIG. 2

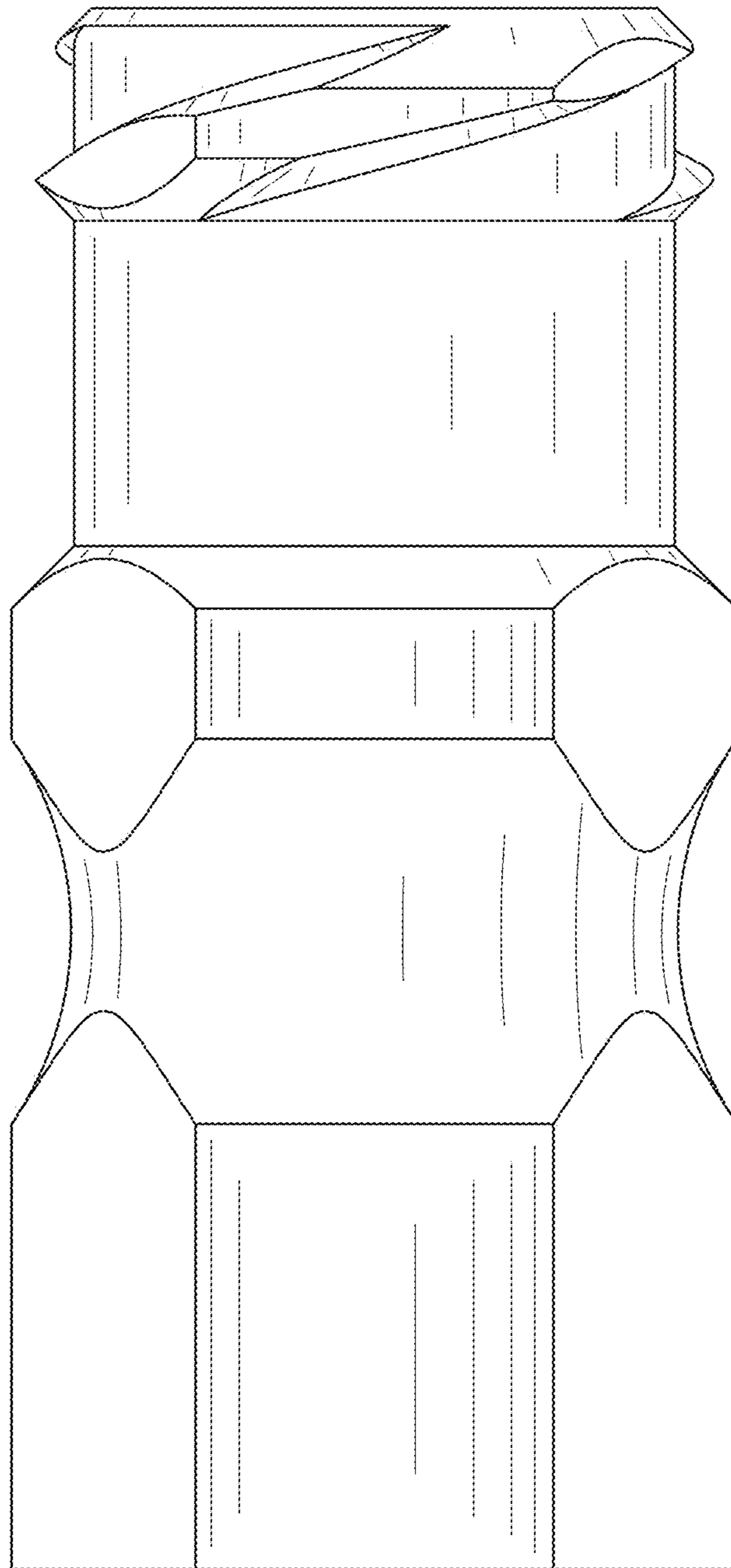


FIG. 3

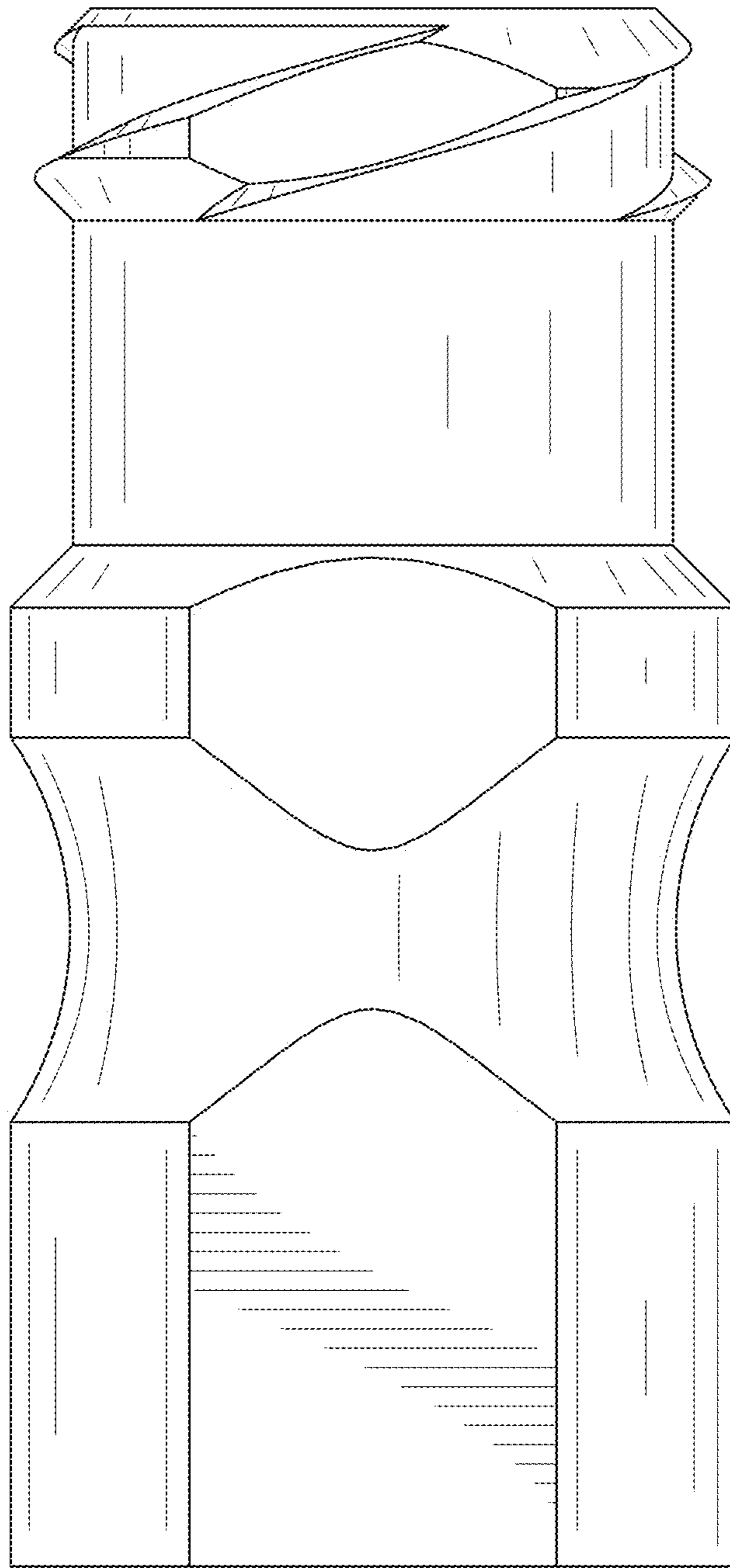


FIG. 4

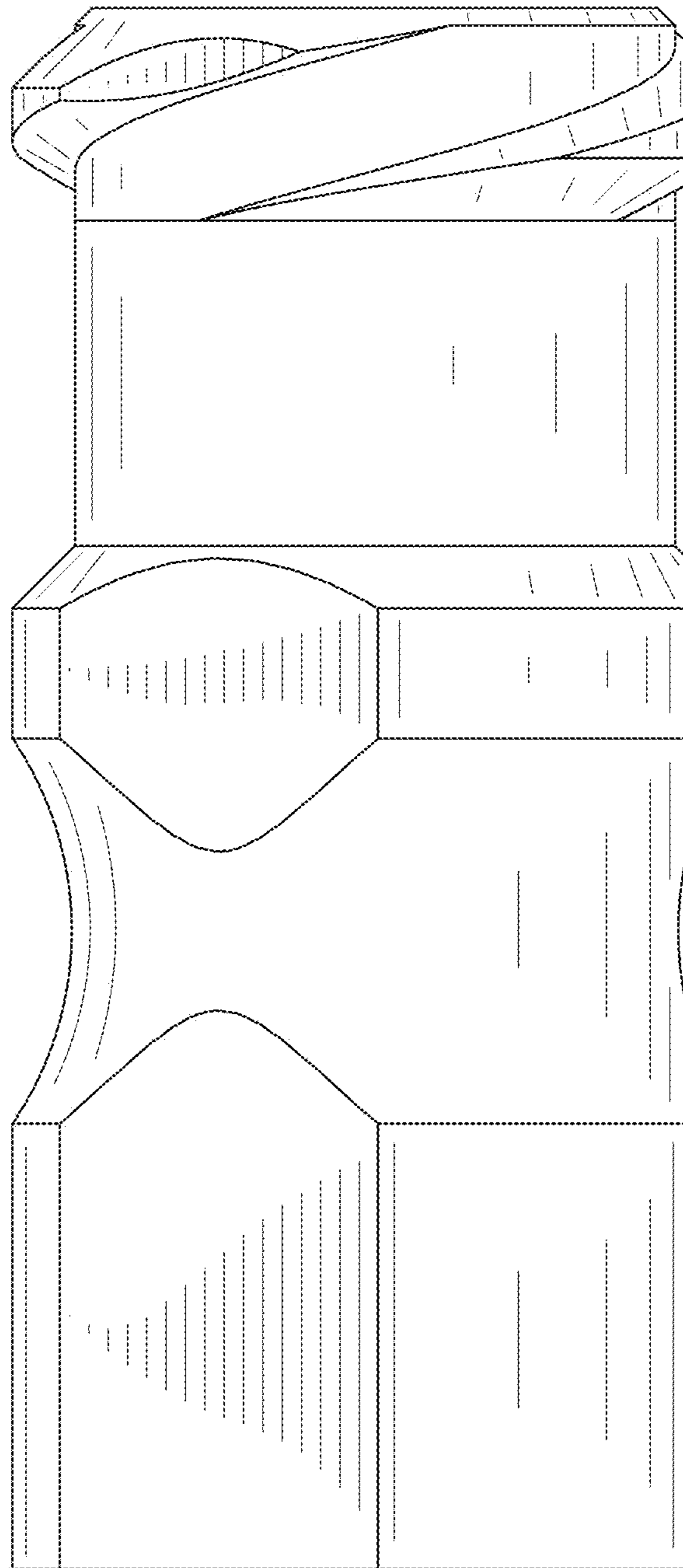


FIG. 5

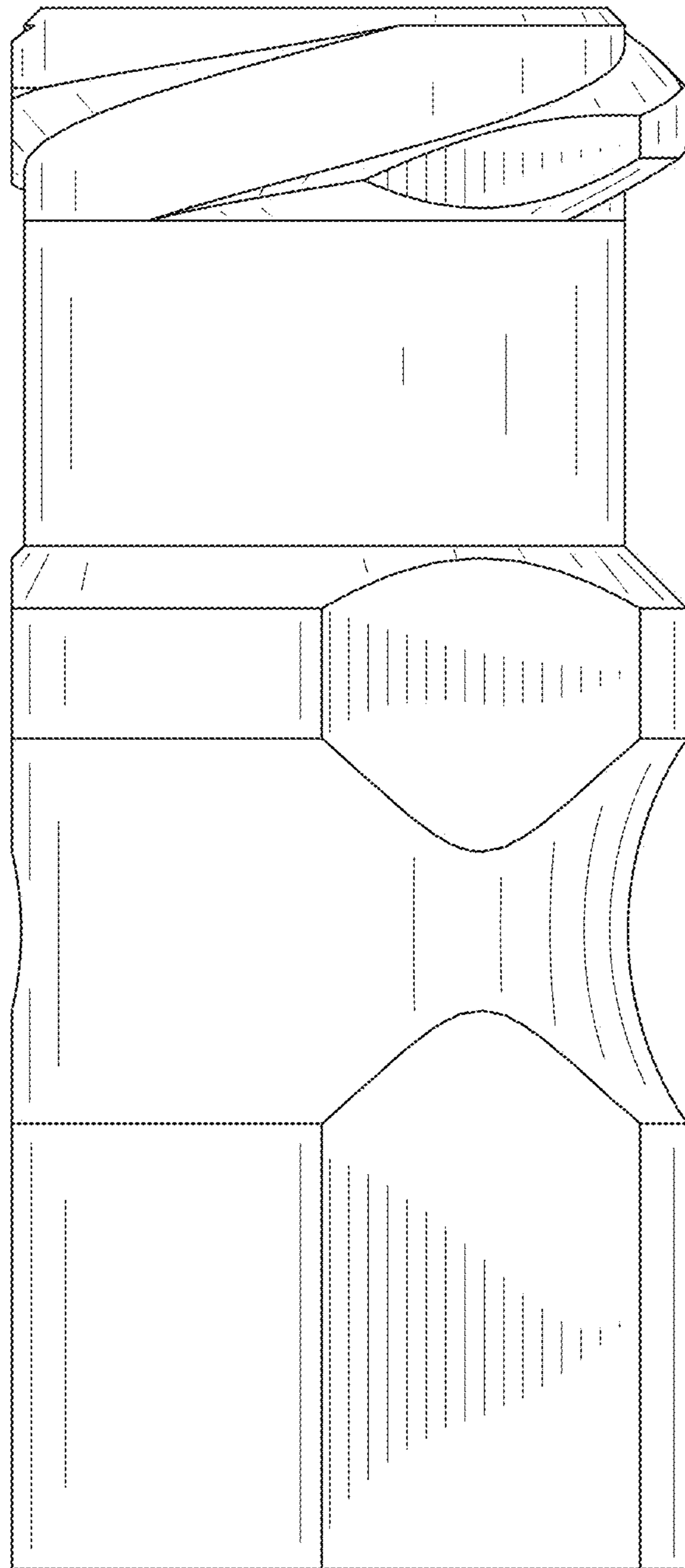


FIG. 6

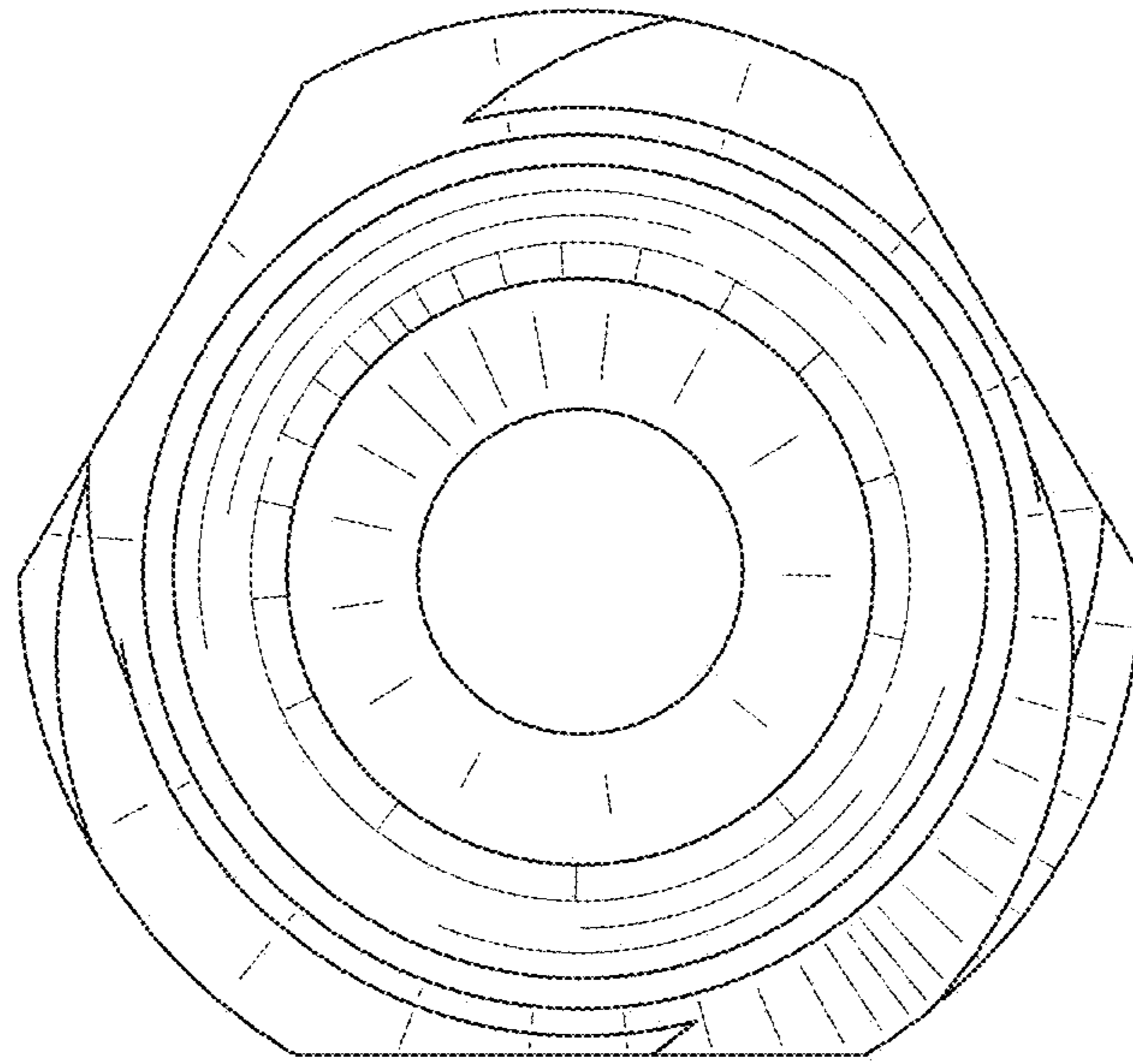


FIG. 7

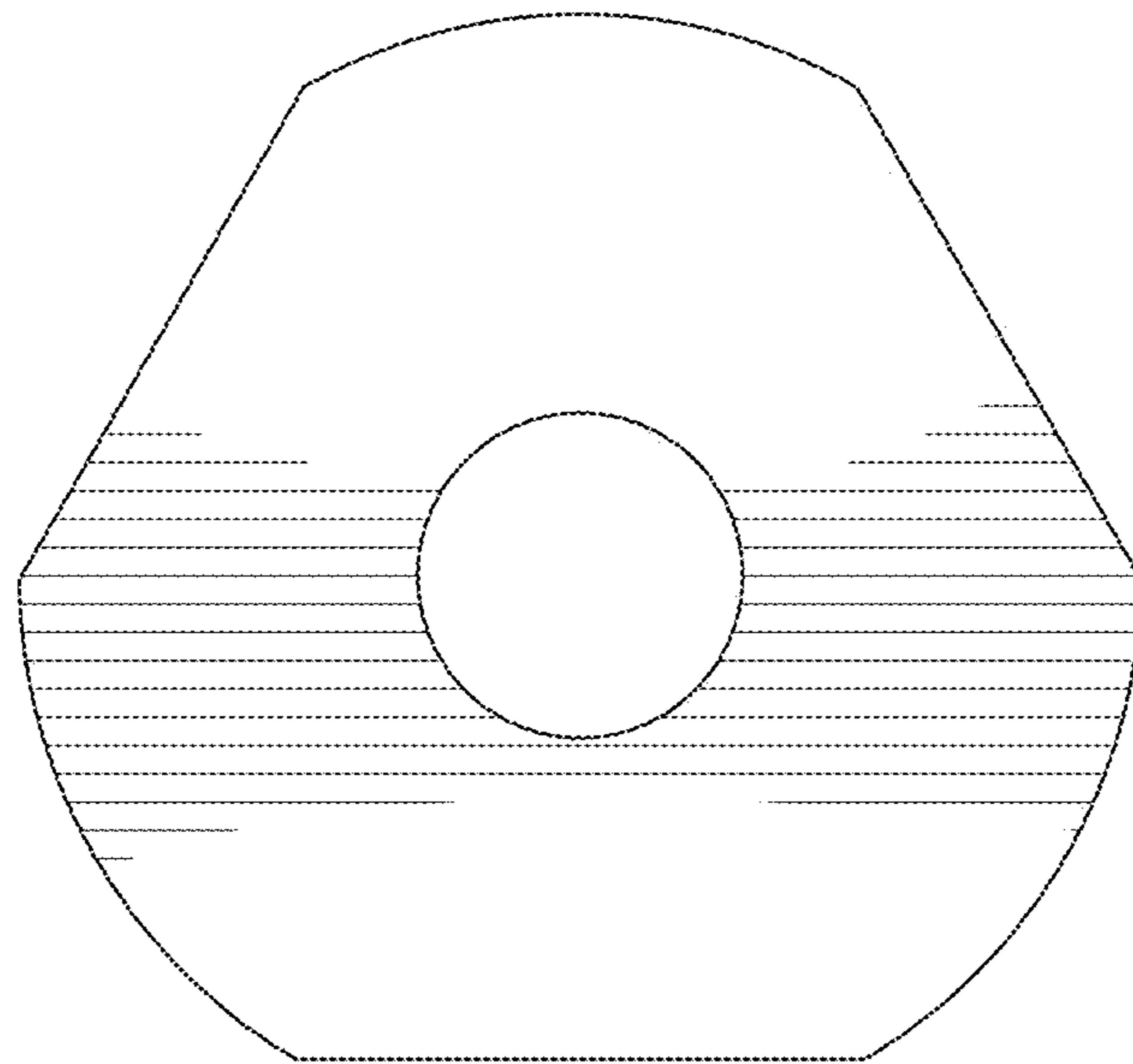


FIG. 8

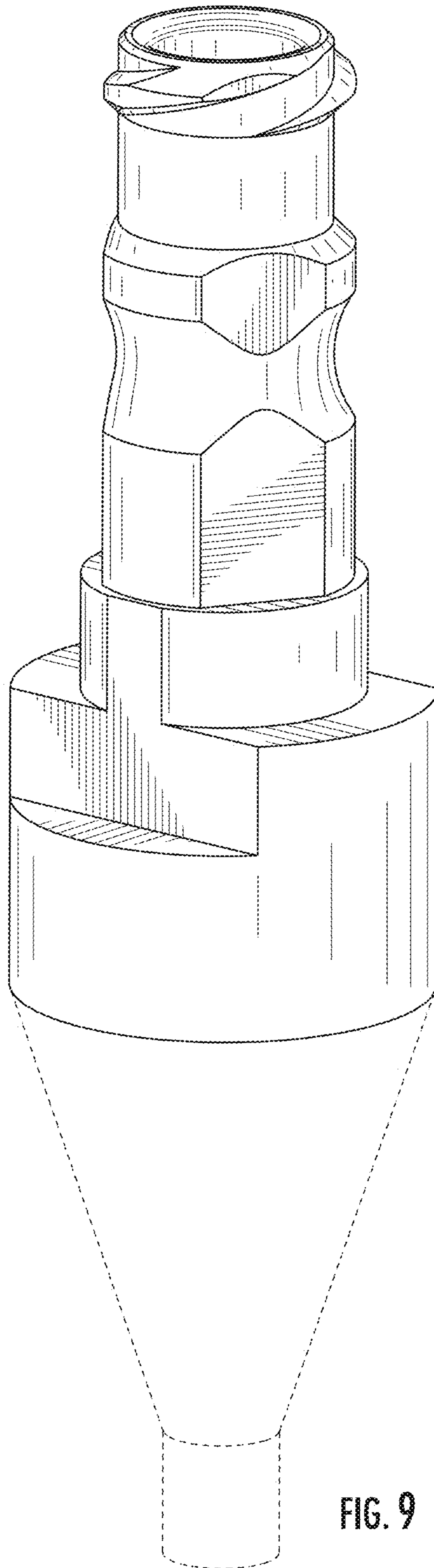


FIG. 9

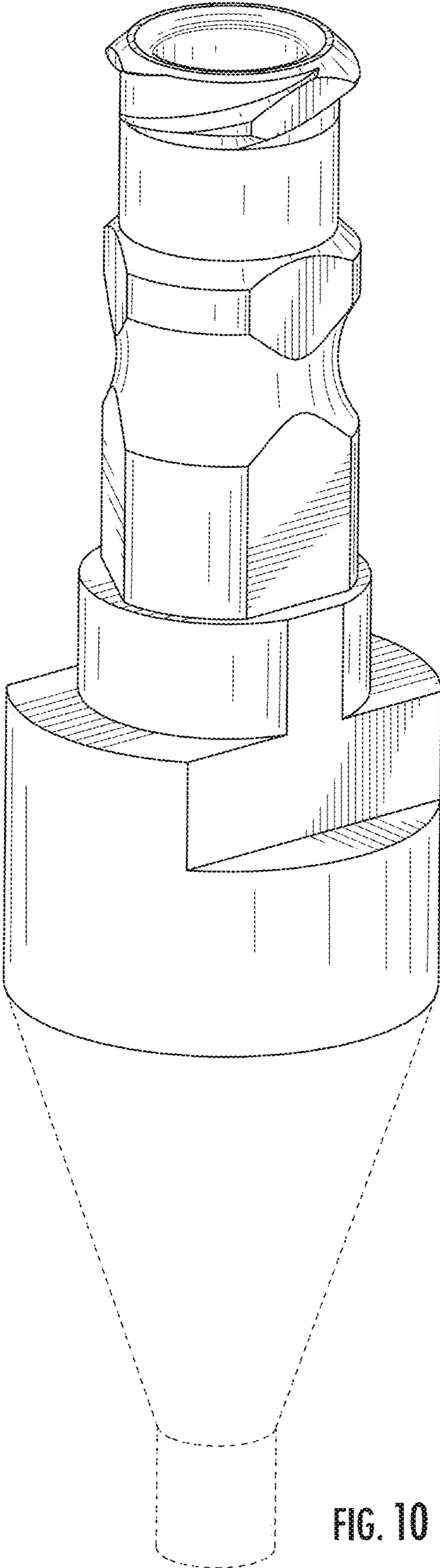


FIG. 10

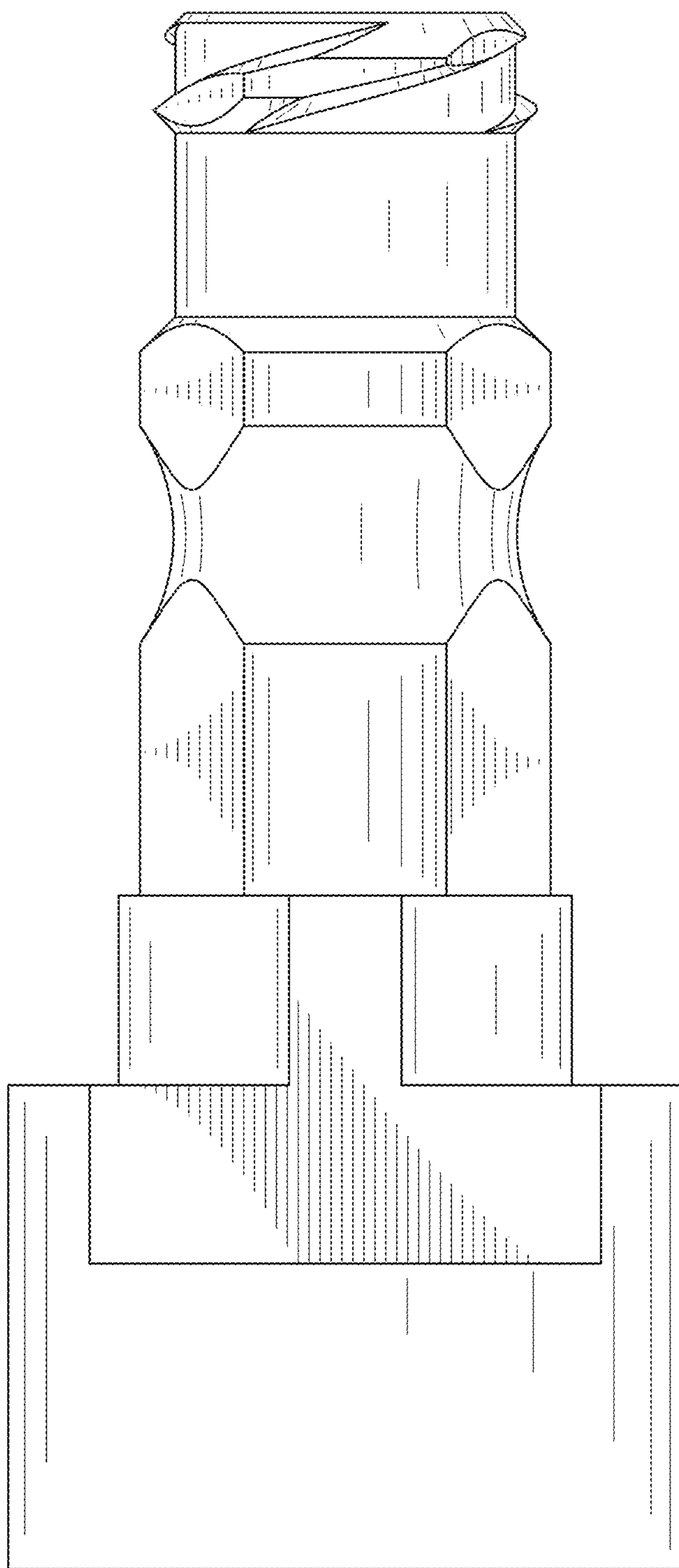


FIG. 11

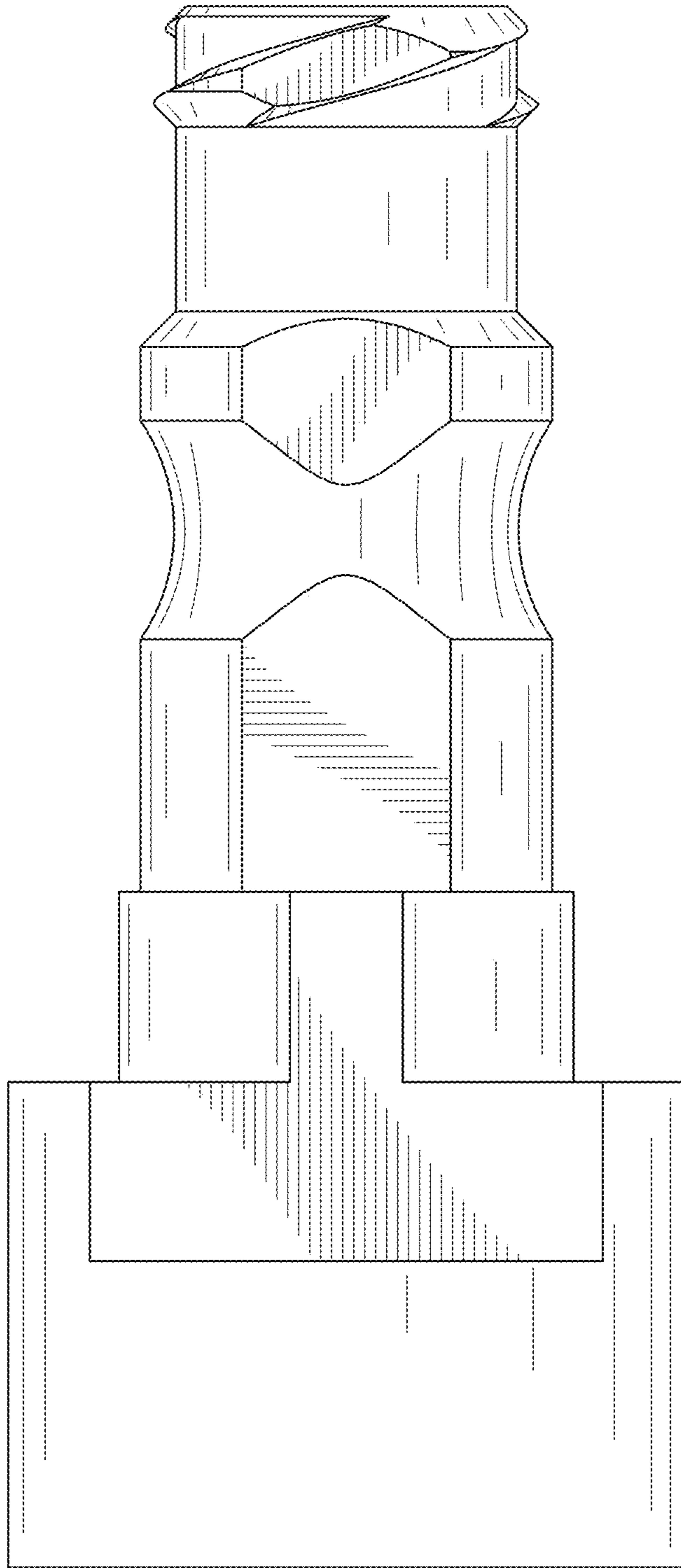


FIG. 12

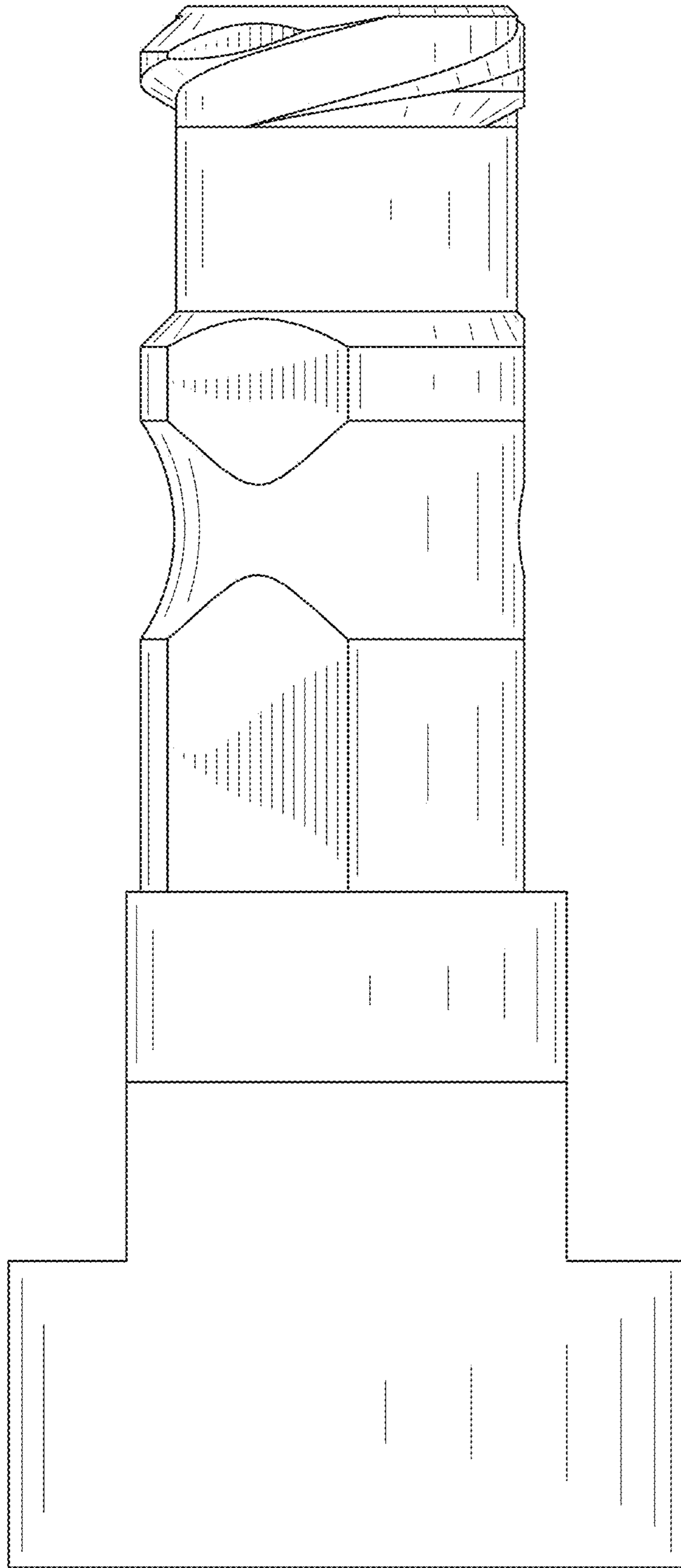


FIG. 13

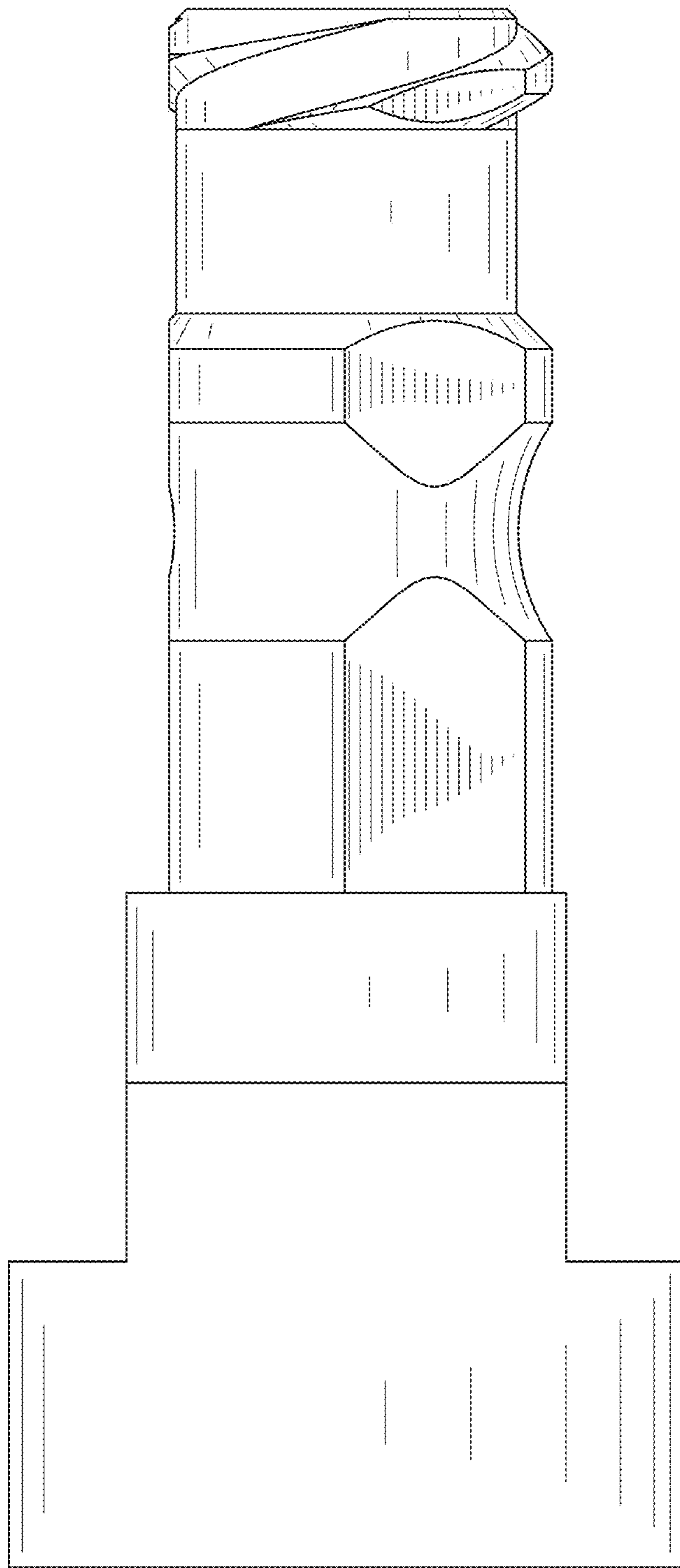


FIG. 14

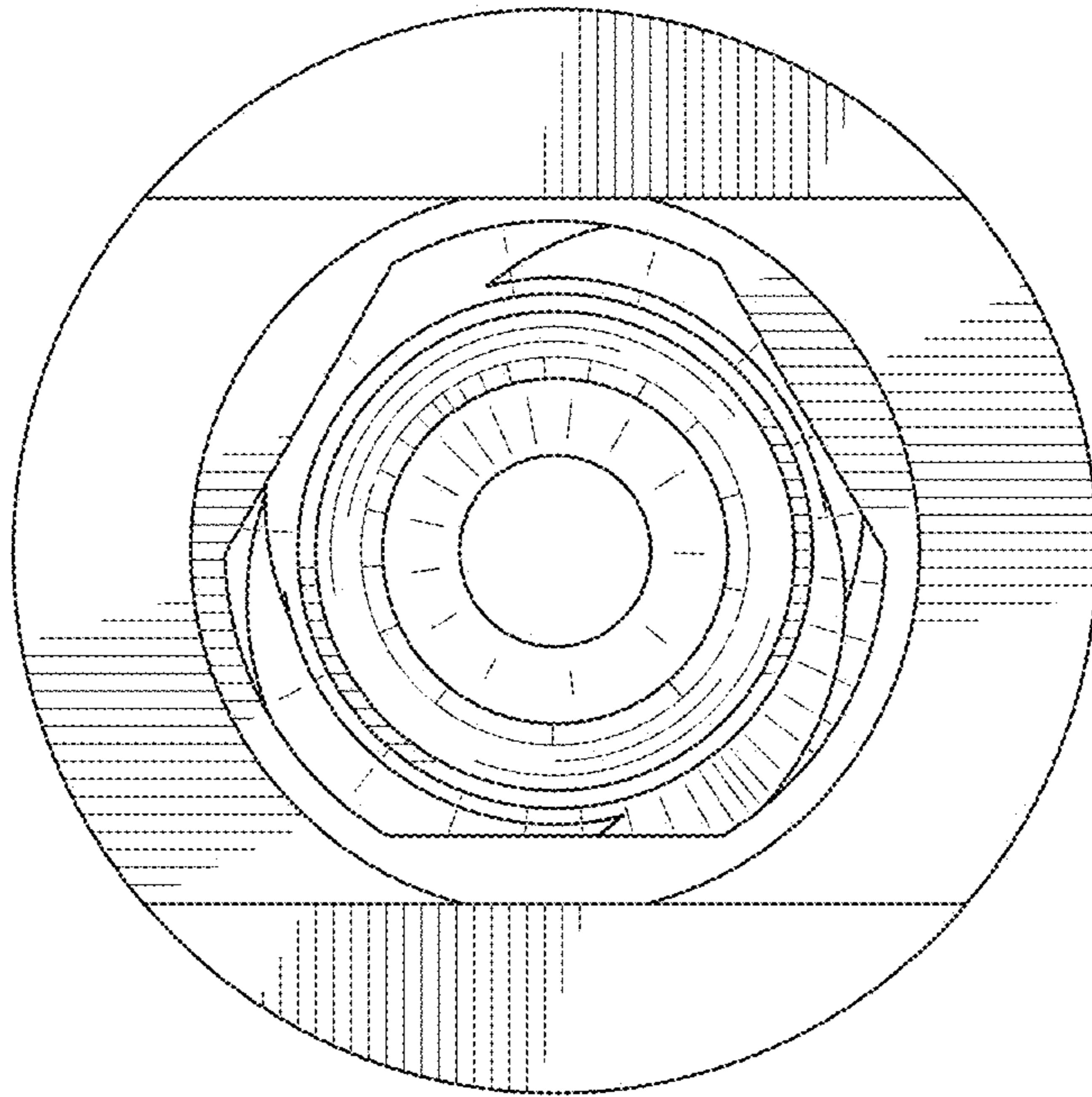


FIG. 15

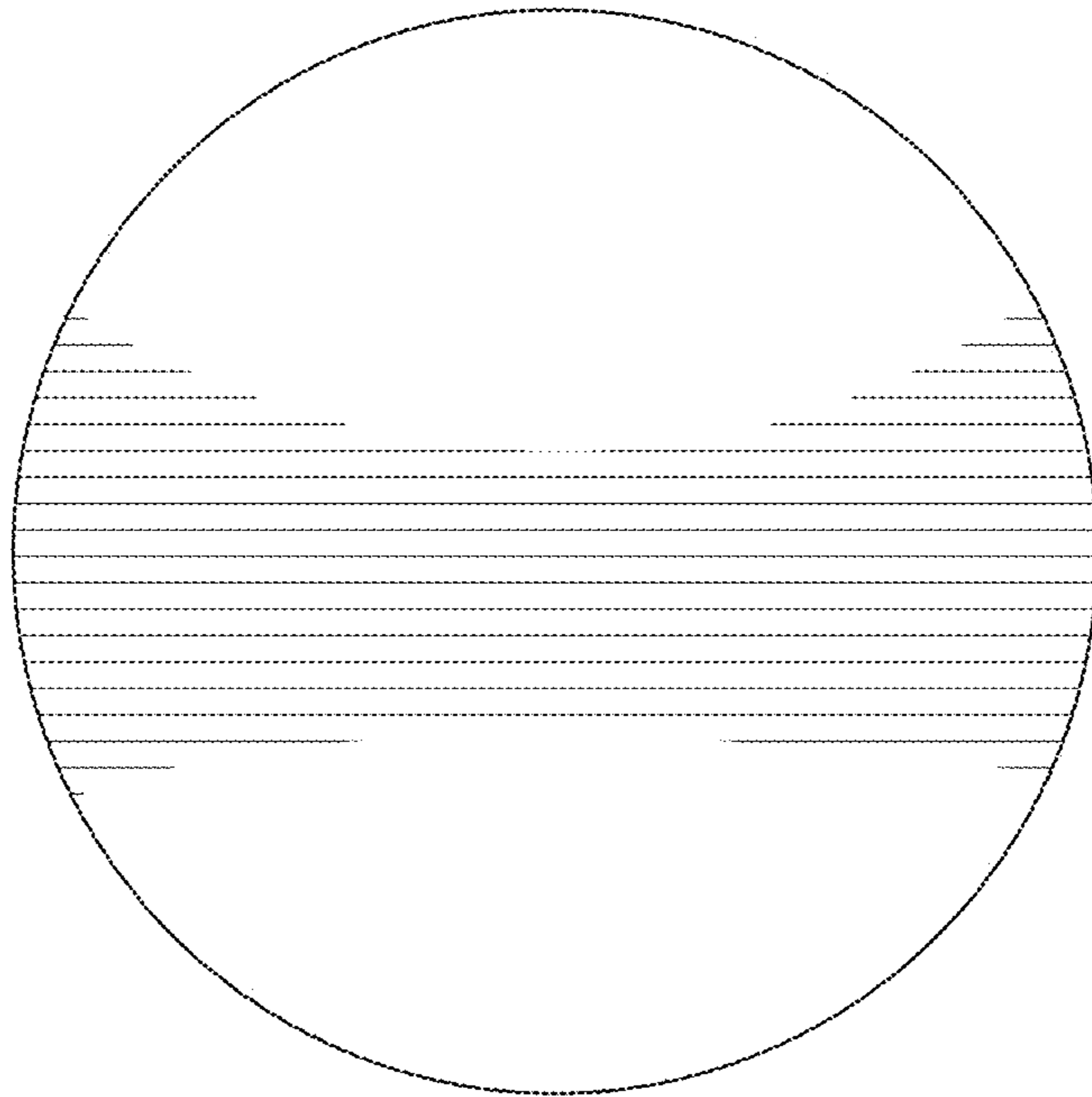


FIG. 16