



US00D926317S

(12) **United States Design Patent** (10) **Patent No.:** **US D926,317 S**
Posey et al. (45) **Date of Patent:** **** Jul. 27, 2021**

(54) **SURGICAL STAPLER DECK WITH TISSUE ENGAGEMENT CLEAT FEATURES**

(71) Applicant: **ETHICON LLC**, Guaynabo, PR (US)

(72) Inventors: **Ryan P. Posey**, Cincinnati, OH (US); **Nicholas D. Courtwright**, Villa Hills, KY (US); **Stephen D. Geresy**, West Chester, OH (US); **Kevin D. Sackett**, Independence, KY (US); **Frederick E. Shelton, IV**, Hillsboro, OH (US)

(73) Assignee: **Cilag GmbH International**, Zug (CH)

(**) Term: **15 Years**

(21) Appl. No.: **29/675,045**

(22) Filed: **Dec. 28, 2018**

(51) **LOC (13) Cl.** **24-02**

(52) **U.S. Cl.**
USPC **D24/145**

(58) **Field of Classification Search**
USPC D24/145-147
CPC A61B 17/072; A61B 17/068; A61B 17/07207; A61B 17/064; A61B 2017/07214; A61B 2017/07221; A61B 2017/07228; A61B 2017/07271

See application file for complete search history.

(56) **References Cited**

U.S. PATENT DOCUMENTS

4,805,823 A	2/1989	Rothfuss
5,415,334 A	5/1995	Williamson, IV et al.
5,465,895 A	11/1995	Knodel et al.
5,597,107 A	1/1997	Knodel et al.
5,632,432 A	5/1997	Schulze et al.
5,673,840 A	10/1997	Schulze et al.
5,704,534 A	1/1998	Huitema et al.
5,792,135 A	8/1998	Madhani et al.

5,814,055 A	9/1998	Knodel et al.
5,817,084 A	10/1998	Jensen
5,878,193 A	3/1999	Wang et al.
6,231,565 B1	5/2001	Tovey et al.
6,364,888 B1	4/2002	Niemeyer et al.
6,783,524 B2	8/2004	Anderson et al.

(Continued)

FOREIGN PATENT DOCUMENTS

JP	2002-165801 A	6/2002
JP	2005-211651 A	8/2005

(Continued)

OTHER PUBLICATIONS

U.S. Appl. No. 16/234,727, entitled "Surgical Stapler with Tissue Engagement Features Around Tissue Containment Pin," filed Dec. 28, 2018.

(Continued)

Primary Examiner — Wan Laymon

(74) *Attorney, Agent, or Firm* — Frost Brown Todd LLC

(57) **CLAIM**

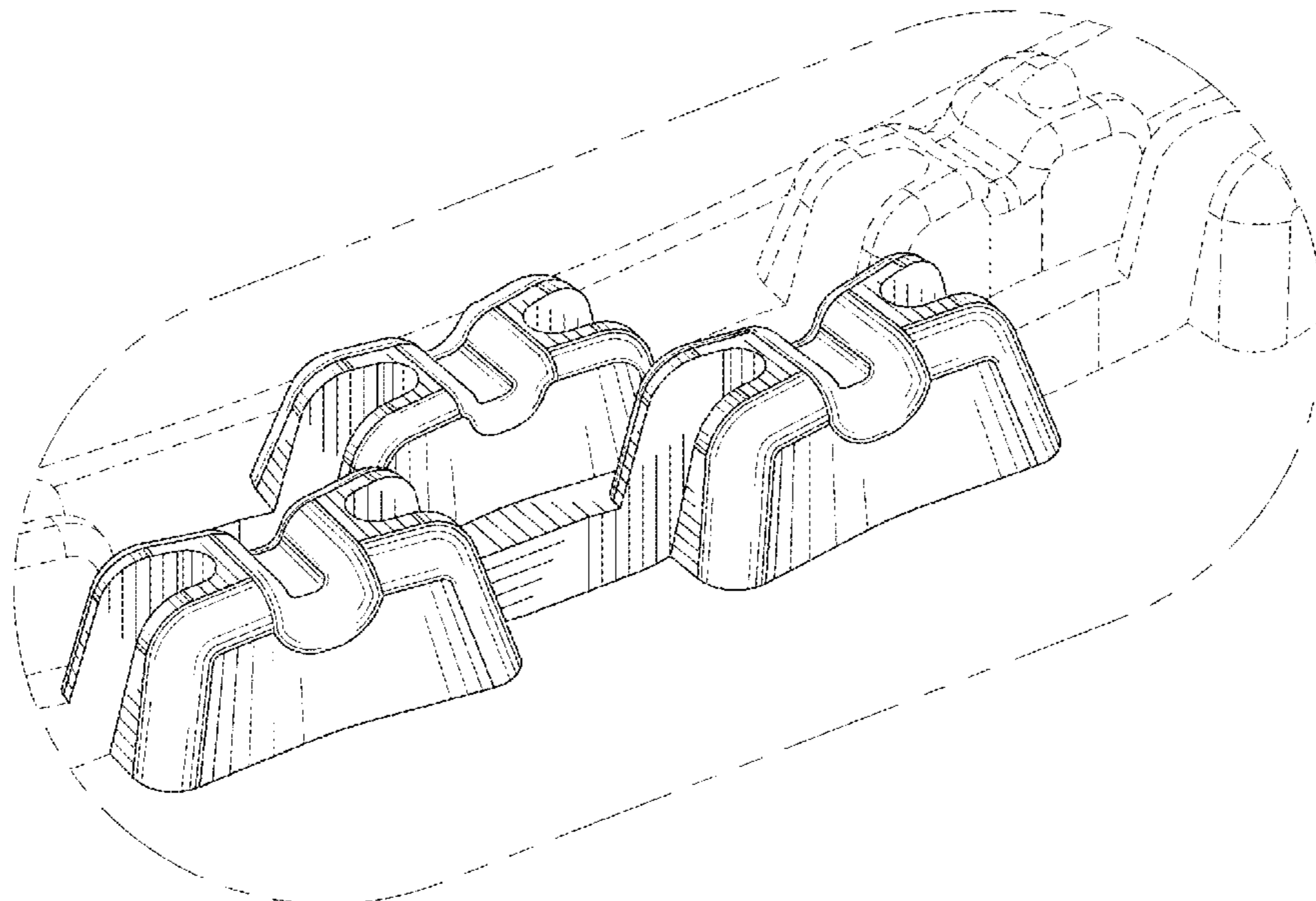
The ornamental design for a surgical stapler deck with tissue engagement cleat features, as shown and described.

DESCRIPTION

FIG. 1 is a perspective view of a surgical stapler deck with tissue engagement cleat features showing our new design, FIG. 2 is a first side elevational view thereof; FIG. 3 is a second side elevational view thereof; and, FIG. 4 is a top plan view thereof.

The broken lines immediately adjacent the shaded areas represent the bounds of the claimed design while all other broken lines are directed to environment and are for illustrative purposes only; the broken lines form no part of the claimed design.

1 Claim, 4 Drawing Sheets



(56)

References Cited

U.S. PATENT DOCUMENTS

6,805,273 B2 * 10/2004 Bilotti A61B 17/115
227/176.1

6,978,921 B2 12/2005 Shelton, IV et al.
6,988,650 B2 1/2006 Schwemberger et al.
7,000,818 B2 2/2006 Shelton, IV et al.
7,134,587 B2 11/2006 Schwemberger et al.
7,143,923 B2 12/2006 Shelton, IV et al.
7,147,139 B2 12/2006 Schwemberger et al.
7,147,140 B2 12/2006 Wukusick et al.
7,204,404 B2 4/2007 Nguyen et al.
7,207,472 B2 4/2007 Wukusick et al.
7,303,108 B2 12/2007 Shelton, IV
7,367,485 B2 5/2008 Shelton, IV et al.
7,380,695 B2 6/2008 Doll et al.
7,380,696 B2 6/2008 Shelton, IV et al.
7,404,508 B2 7/2008 Smith et al.
7,434,715 B2 10/2008 Shelton, IV et al.
7,524,320 B2 4/2009 Tierney et al.
7,644,848 B2 1/2010 Swayze et al.
7,691,098 B2 4/2010 Wallace et al.
7,721,930 B2 5/2010 McKenna et al.
7,806,891 B2 10/2010 Nowlin et al.
8,141,762 B2 3/2012 Bedi et al.
8,210,411 B2 7/2012 Yates et al.
8,371,491 B2 2/2013 Huitema et al.
8,408,439 B2 4/2013 Huang et al.
8,453,914 B2 6/2013 Laurent et al.
8,479,969 B2 7/2013 Shelton, IV
8,573,461 B2 11/2013 Shelton, IV et al.
8,573,465 B2 11/2013 Shelton, IV
8,579,990 B2 11/2013 Priewe
8,602,288 B2 12/2013 Shelton, IV et al.
8,616,431 B2 12/2013 Timm et al.
8,783,541 B2 7/2014 Shelton, IV et al.
8,800,838 B2 8/2014 Shelton, IV
8,801,735 B2 8/2014 Shelton, IV et al.
8,814,025 B2 8/2014 Miller et al.
8,820,605 B2 9/2014 Shelton, IV
8,844,789 B2 9/2014 Shelton, IV et al.
8,899,464 B2 12/2014 Hueil et al.
8,992,060 B2 4/2015 Dassanayake et al.
8,998,060 B2 4/2015 Bruewer et al.
9,101,359 B2 8/2015 Smith et al.
9,125,651 B2 * 9/2015 Mandakolathur Vasudevan
A61B 17/072

9,186,142 B2 11/2015 Fanelli et al.
9,198,644 B2 12/2015 Balek et al.
9,211,120 B2 12/2015 Scheib et al.
9,301,759 B2 4/2016 Spivey et al.
9,393,018 B2 7/2016 Wang et al.
9,398,911 B2 7/2016 Auld et al.
9,492,170 B2 11/2016 Bear et al.
9,517,065 B2 12/2016 Simms et al.
9,597,082 B2 3/2017 Stokes et al.
9,622,746 B2 4/2017 Simms et al.
9,717,497 B2 8/2017 Zerkle et al.
9,795,379 B2 10/2017 Leimbach et al.
9,801,626 B2 * 10/2017 Parihar A61B 17/068
9,808,248 B2 11/2017 Hoffman
9,814,460 B2 * 11/2017 Kimsey A61B 17/07207
9,839,421 B2 12/2017 Zerkle et al.
9,844,368 B2 * 12/2017 Boudreaux A61B 17/068
9,848,871 B2 12/2017 Harris et al.
9,867,612 B2 * 1/2018 Parihar A61B 17/068
9,867,615 B2 1/2018 Fanelli et al.
9,913,642 B2 3/2018 Leimbach et al.
9,924,943 B2 * 3/2018 Mohan Pinjala
A61B 17/07207

D814,632 S * 4/2018 Shankarsetty D24/145
9,936,954 B2 4/2018 Shelton, IV et al.
9,999,408 B2 6/2018 Boudreaux et al.
10,045,780 B2 8/2018 Adams et al.
10,092,292 B2 10/2018 Boudreaux et al.
D833,010 S 11/2018 Harris et al.
10,123,798 B2 11/2018 Baxter, III et al.

10,136,887 B2 * 11/2018 Shelton, IV A61B 17/072
D836,198 S 12/2018 Harris et al.
D836,199 S 12/2018 Schowalter et al.
10,149,680 B2 * 12/2018 Parihar A61B 17/072
10,258,334 B2 * 4/2019 Adams A61B 17/068
10,285,693 B2 * 5/2019 Kimsey A61B 17/072
10,314,582 B2 * 6/2019 Shelton, IV A61B 17/072
10,349,939 B2 7/2019 Shelton, IV et al.
10,542,977 B2 * 1/2020 Mohan A61B 17/07207
10,561,474 B2 * 2/2020 Adams A61B 17/072
10,709,447 B2 * 7/2020 Mohan Pinjala A61B 17/072
10,786,324 B2 * 9/2020 Marczyk A61B 17/072
10,918,384 B2 * 2/2021 Yigit A61B 17/072

2005/0139636 A1 6/2005 Schwemberger et al.
2005/0143759 A1 6/2005 Kelly
2005/0145672 A1 7/2005 Schwemberger et al.
2008/0169328 A1 7/2008 Shelton
2011/0068147 A1 * 3/2011 Racenet A61B 17/072
227/180.1

2012/0241493 A1 9/2012 Baxter, III et al.
2013/0068816 A1 3/2013 Vasudevan et al.
2013/0075447 A1 3/2013 Weisenburgh et al.
2013/0206813 A1 8/2013 Nalagatla
2014/0239037 A1 8/2014 Boudreaux et al.
2014/0239048 A1 * 8/2014 Racenet A61B 17/072
227/180.1

2015/0351758 A1 12/2015 Shelton, IV et al.
2016/0089146 A1 3/2016 Harris et al.
2016/0278774 A1 9/2016 Shelton, IV et al.
2017/0027571 A1 2/2017 Nalagatla et al.
2017/0049444 A1 2/2017 Schellin et al.
2017/0055980 A1 3/2017 Vendely et al.
2017/0055981 A1 3/2017 Vendely et al.
2017/0055982 A1 3/2017 Zeiner et al.
2017/0055986 A1 3/2017 Harris et al.
2017/0056016 A1 3/2017 Barton et al.
2017/0056017 A1 3/2017 Vendely et al.
2017/0056018 A1 3/2017 Zeiner et al.
2017/0086823 A1 3/2017 Leimbach et al.
2017/0086837 A1 3/2017 Vendely et al.
2017/0086842 A1 3/2017 Shelton, IV et al.
2017/0189012 A1 * 7/2017 Adams A61B 17/072
2017/0189022 A1 * 7/2017 Adams A61B 17/072
2017/0281177 A1 * 10/2017 Harris A61B 17/072
2018/0153544 A1 * 6/2018 Maddur Shankarsetty
A61B 17/072

2018/0235610 A1 8/2018 Harris et al.
2018/0235611 A1 8/2018 Harris et al.
2018/0235619 A1 8/2018 Harris et al.
2019/0000455 A1 * 1/2019 Adams A61B 17/072
2019/0000481 A1 1/2019 Harris et al.
2019/0261985 A1 * 8/2019 Adams A61B 17/068
2020/0205808 A1 * 7/2020 Adams A61B 17/0686

FOREIGN PATENT DOCUMENTS

JP 2006-346445 A 12/2006
JP 2008-055165 A 3/2008
JP 2008-212672 A 9/2008
JP 2009-018163 A 1/2009
JP 1578222 S 6/2017

OTHER PUBLICATIONS

U.S. Appl. No. 16/234,740, entitled "Surgical Stapler with Sloped Staple Deck For Varying Tissue Compression," filed Dec. 28, 2018.
U.S. Appl. No. 16/235,473, entitled "Adhesive Distribution on Buttress for Surgical Stapler," filed Dec. 28, 2018.
U.S. Appl. No. 16/235,488, entitled "Configuration of Buttress for Surgical Stapler," filed Dec. 28, 2018.
U.S. Appl. No. 16/235,503, entitled "Surgical Stapler Buttress with Tissue In-Growth Promotion," filed Dec. 28, 2018.
U.S. Appl. No. 16/235,522, entitled "Applicator for Surgical Stapler Buttress," filed Dec. 28, 2018.
U.S. Appl. No. 16/235,541, entitled "Packaging for Surgical Stapler Buttress," filed Dec. 28, 2018.

(56)

References Cited

OTHER PUBLICATIONS

U.S. Appl. No. 16/235,617, entitled "Method of Applying Buttresses to Surgically Cut and Stapled Sites," filed Dec. 28, 2018.

U.S. Appl. No. 16/235,630, entitled "Curved Tip Surgical Stapler Buttress Assembly Applicator with Opening Feature for Curved Tip Alignment," filed Dec. 28, 2018.

U.S. Appl. No. 16/235,670, entitled "Curved Tip Surgical Stapler Buttress Assembly Applicator with Proximal Alignment Features," filed Dec. 28, 2018.

U.S. Appl. No. 16/235,681, entitled "Curved Tip Surgical Buttress Assembly Applicator with Compression Layer Pocket Features," filed Dec. 28, 2018.

Design U.S. Appl. No. 29/675,047, entitled "Surgical Stapler Deck with Tissue Engagement Recess Features," filed Dec. 28, 2018.

Design U.S. Appl. No. 29/675,168, entitled "Applicator for Surgical Stapler Buttress," filed Dec. 28, 2018.

Design U.S. Appl. No. 29/675,170, entitled "Buttress for Surgical Stapler," filed Dec. 28, 2018.

Design U.S. Appl. No. 29/675,172, entitled "Tray for Surgical Stapler Buttress Applicator," filed Dec. 28, 2018.

Design U.S. Appl. No. 29/675,197, entitled "Applicator for a Stapler Buttress," filed Dec. 28, 2018.

Design U.S. Appl. No. 29/675,199, entitled "Buttress Assembly for a Surgical Stapler," filed Dec. 28, 2018.

U.S. Appl. No. 62/209,041, entitled "Method and Apparatus for Applying a Buttress to End Effector of a Surgical Stapler," filed Aug. 24, 2015.

Japanese Office Action, Notification, dated Apr. 7, 2020 for Application No. JP 2019-014281, 1 pg.

Japanese Office Action, Notification, dated Apr. 14, 2020 for Application No. JP 2020-001378, 1 pg.

* cited by examiner

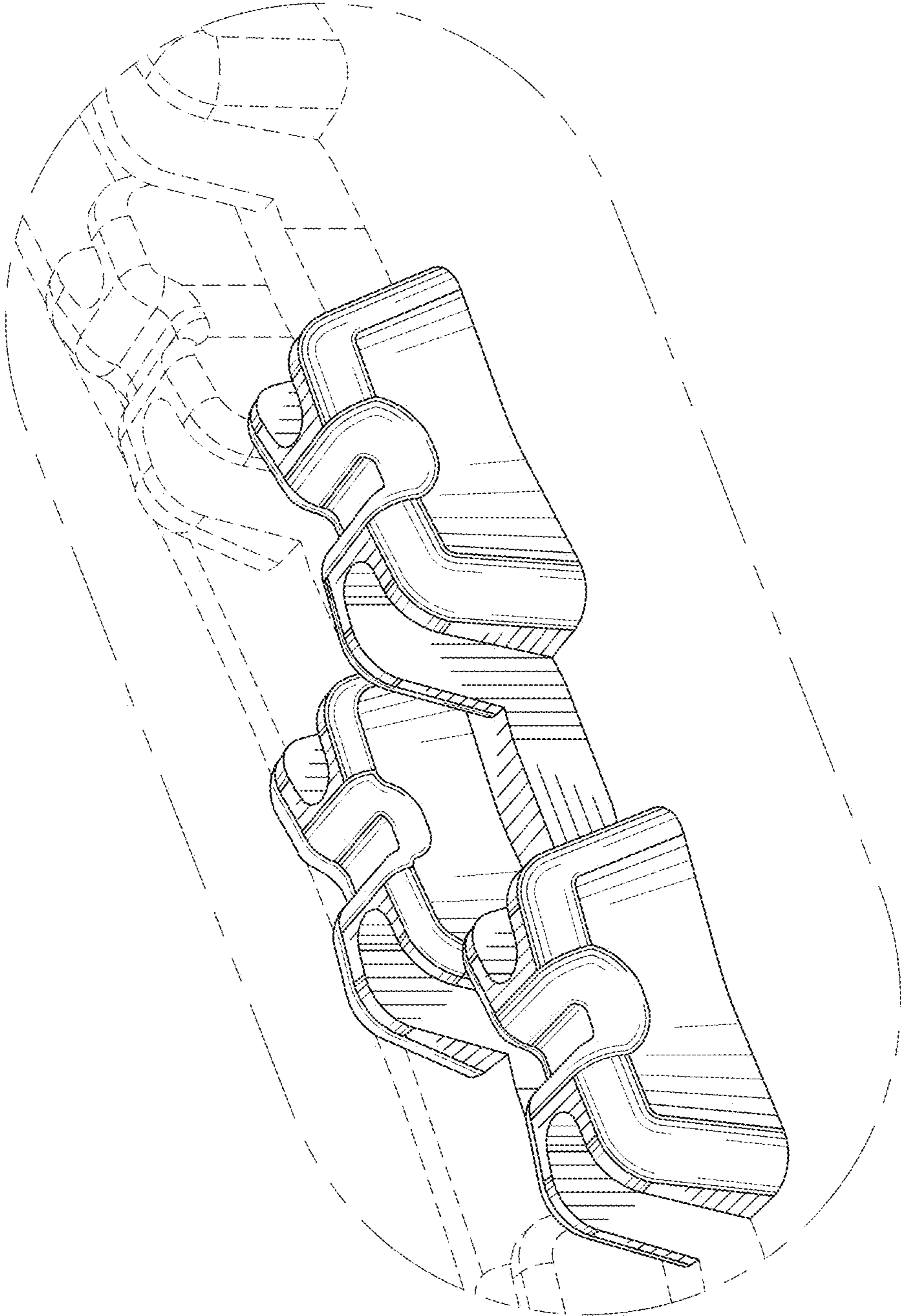


Fig. 1

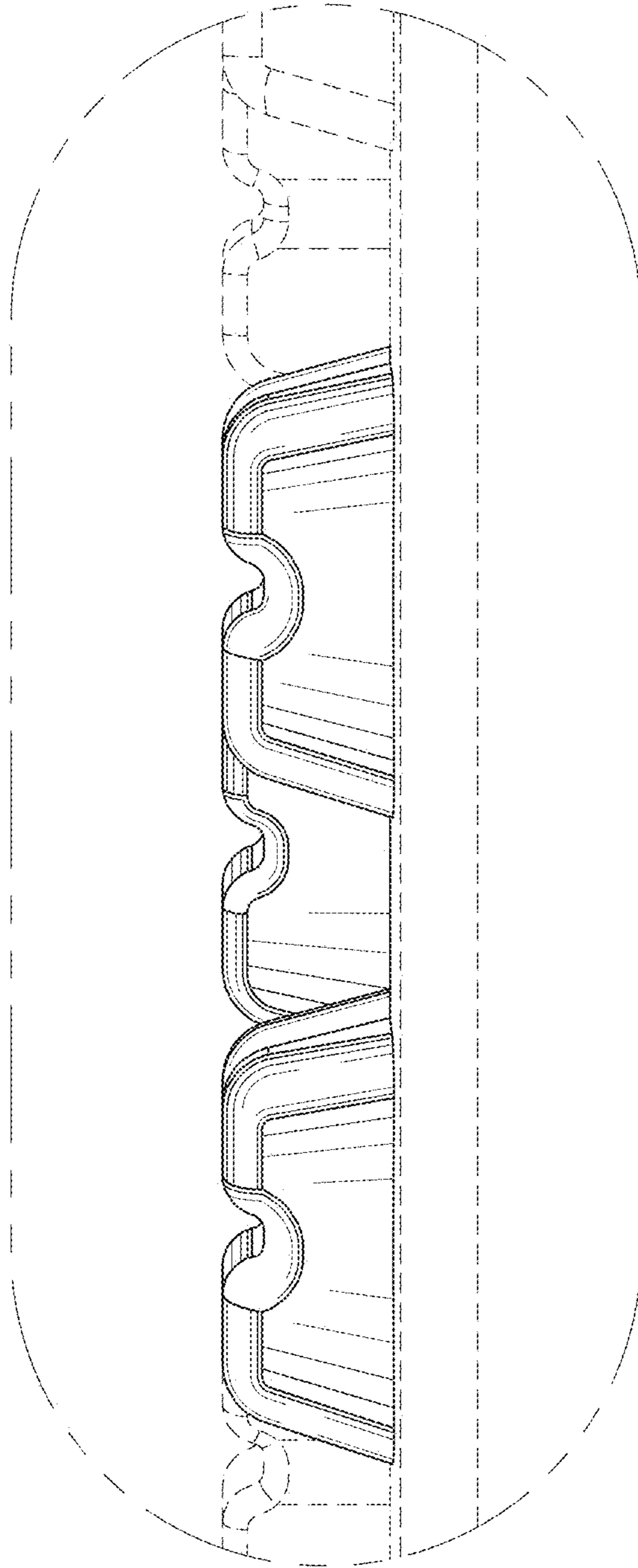


Fig. 2

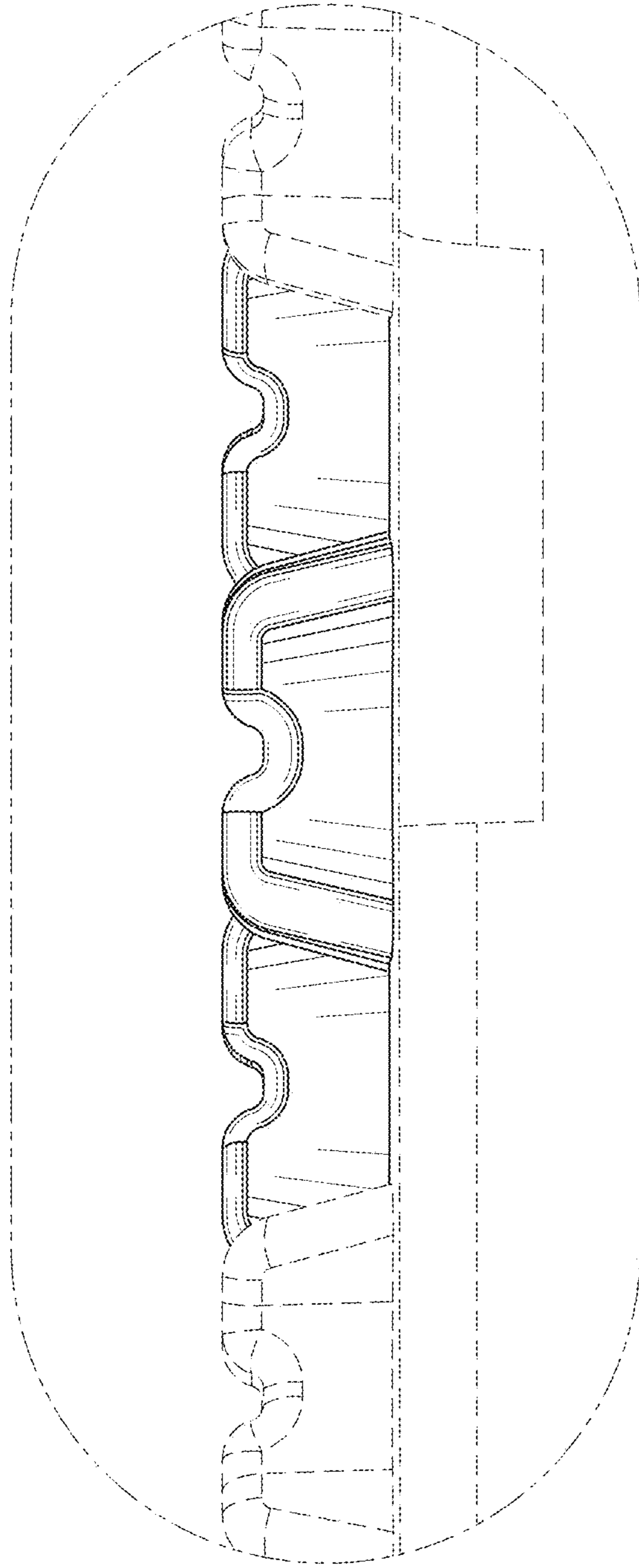


Fig. 3

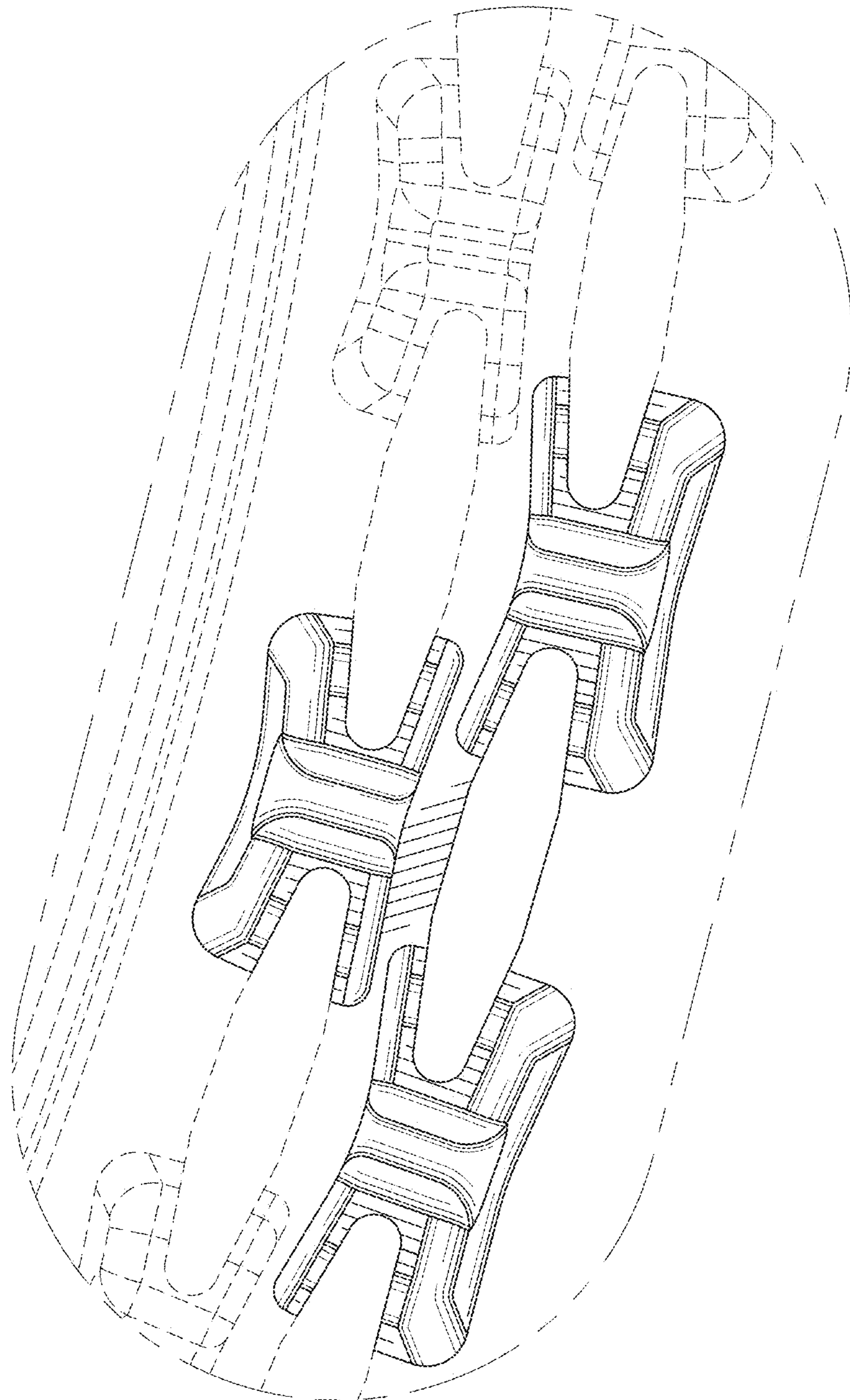


Fig. 4