

US00D926316S

(12) **United States Design Patent**
Cong et al.

(10) **Patent No.:** **US D926,316 S**
(45) **Date of Patent:** **** Jul. 27, 2021**

(54) **SUTURE TABS**

(71) Applicant: **Galvani Bioelectronics Limited**,
Hertfordshire (GB)
(72) Inventors: **Peng Cong**, Burlingame, CA (US);
Benjamin K. Yaffe, San Francisco, CA
(US); **Morten Hansen**, Hertfordshire
(GB)
(73) Assignee: **Galvani Bioelectronics Limited**,
Brentford (GB)

(**) Term: **15 Years**

(21) Appl. No.: **29/664,368**

(22) Filed: **Sep. 24, 2018**

(51) **LOC (13) Cl.** **24-02**

(52) **U.S. Cl.**
USPC **D24/145**

(58) **Field of Classification Search**
USPC D24/145, 127; D9/416, 432, 434;
D7/543; D20/22, 27; D3/290
CPC A61B 17/06133; A61B 17/06114; A61B
17/04; A61B 17/0401; A61B 17/0469;
A61B 2017/0416
See application file for complete search history.

(56) **References Cited**

U.S. PATENT DOCUMENTS

- 3,976,079 A * 8/1976 Samuels A61B 17/0466
606/232
- 5,050,735 A * 9/1991 Levy B65D 75/52
206/456
- D401,339 S * 11/1998 Chambers D24/145
- 9,387,065 B2 * 7/2016 Marks A61B 17/0401
- D845,470 S * 4/2019 Ohno D24/127

(Continued)

OTHER PUBLICATIONS

CN201930120883.3, "Notice of Decision to Grant", dated Sep. 20,
2019, 5 pages.

Primary Examiner — Wan Laymon
(74) *Attorney, Agent, or Firm* — Patterson Thuent
Pedersen, PA

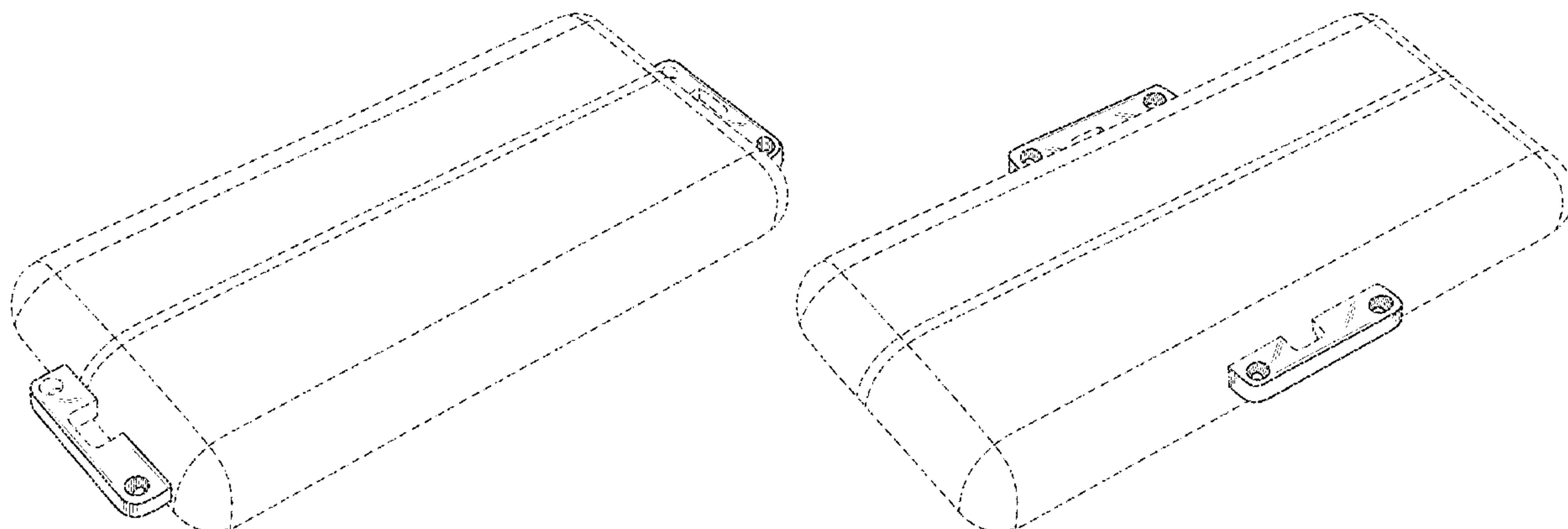
(57) **CLAIM**

The ornamental design for suture tabs, as shown and
described.

DESCRIPTION

FIG. 1 is a perspective view of suture tabs showing the
claimed design;
FIG. 2 is a top view thereof;
FIG. 3 is a bottom view thereof;
FIG. 4 is an enlarged right side view thereof;
FIG. 5 is an enlarged left side view thereof;
FIG. 6 is a front view thereof;
FIG. 7 is a rear view thereof;
FIG. 8 is a perspective view showing the suture tabs of
FIGS. 1-7 in an alternative configuration;
FIG. 9 is a perspective view of suture tabs showing the
claimed design;
FIG. 10 is a top view thereof;
FIG. 11 is a bottom view thereof;
FIG. 12 is an enlarged right side view thereof;
FIG. 13 is an enlarged left side view thereof;
FIG. 14 is a front view thereof;
FIG. 15 is a rear view thereof;
FIG. 16 is a perspective view showing the suture tabs of
FIGS. 9-15 in an alternative configuration;
FIG. 17 is a perspective view showing the suture tabs of
FIGS. 9-15 in an alternative configuration; and,
FIG. 18 is a perspective view showing the suture tabs of
FIGS. 9-15 in an alternative configuration.
The broken line showing of the medical device is included
for the purpose of illustrating environmental structure and
forms no part of the claimed design.
The dot-dashed broken lines in the Figures show boundaries
that form no part of the claimed design.

1 Claim, 14 Drawing Sheets



(56)

References Cited

U.S. PATENT DOCUMENTS

10,350,054 B2 * 7/2019 Marks A61B 17/0401
2020/0094064 A1 * 3/2020 Cong A61B 17/0469

* cited by examiner

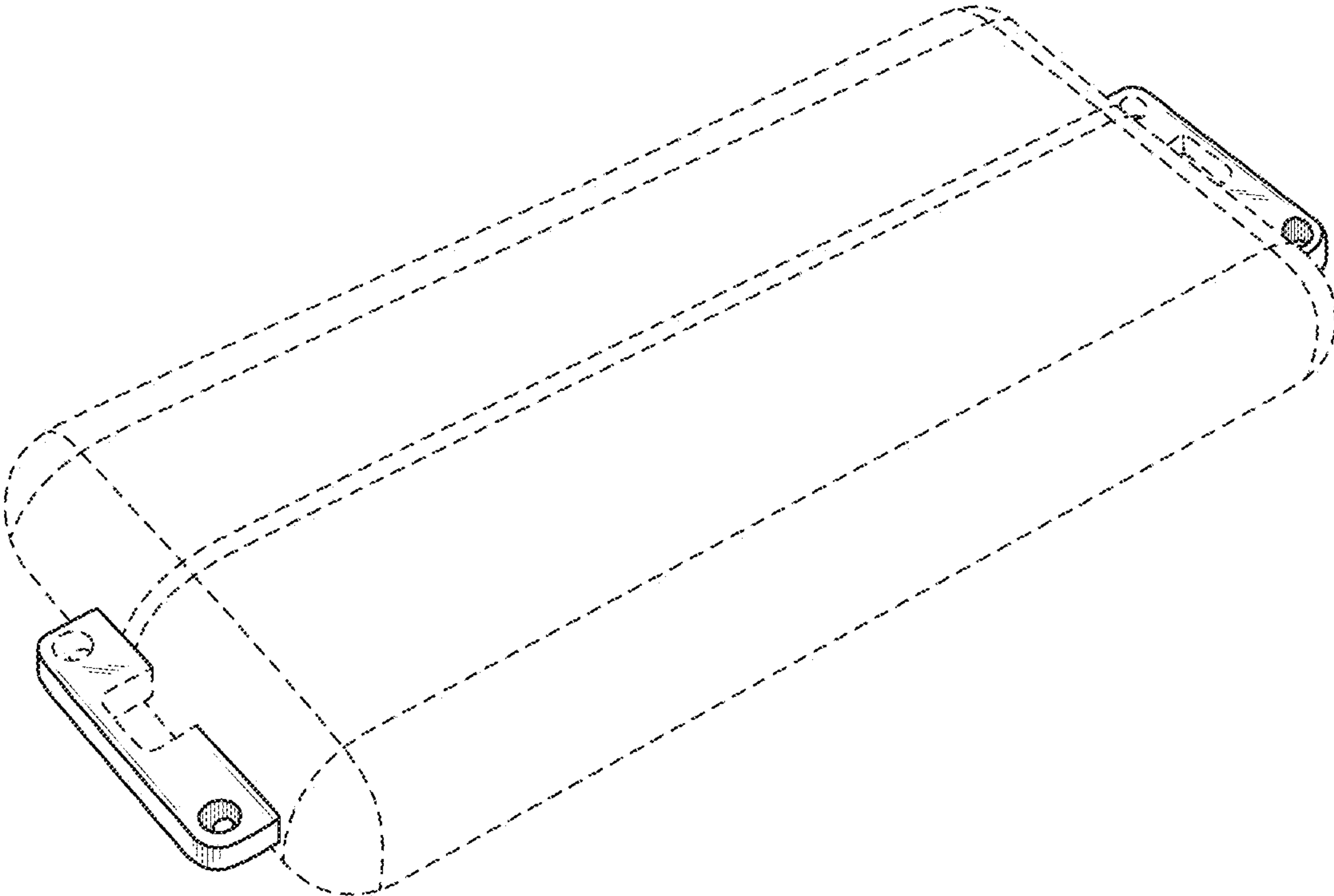


FIG. 1

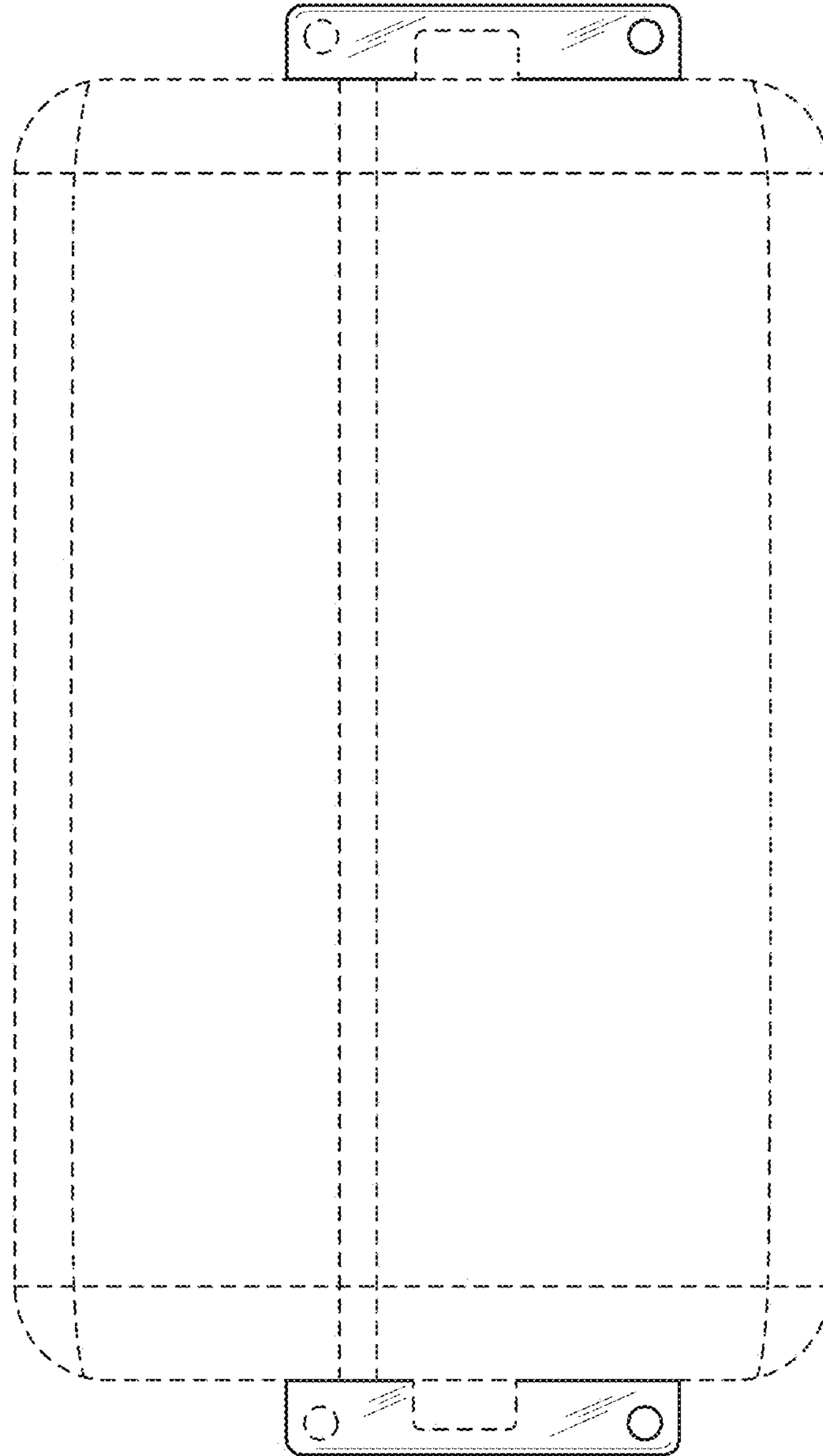


FIG. 2

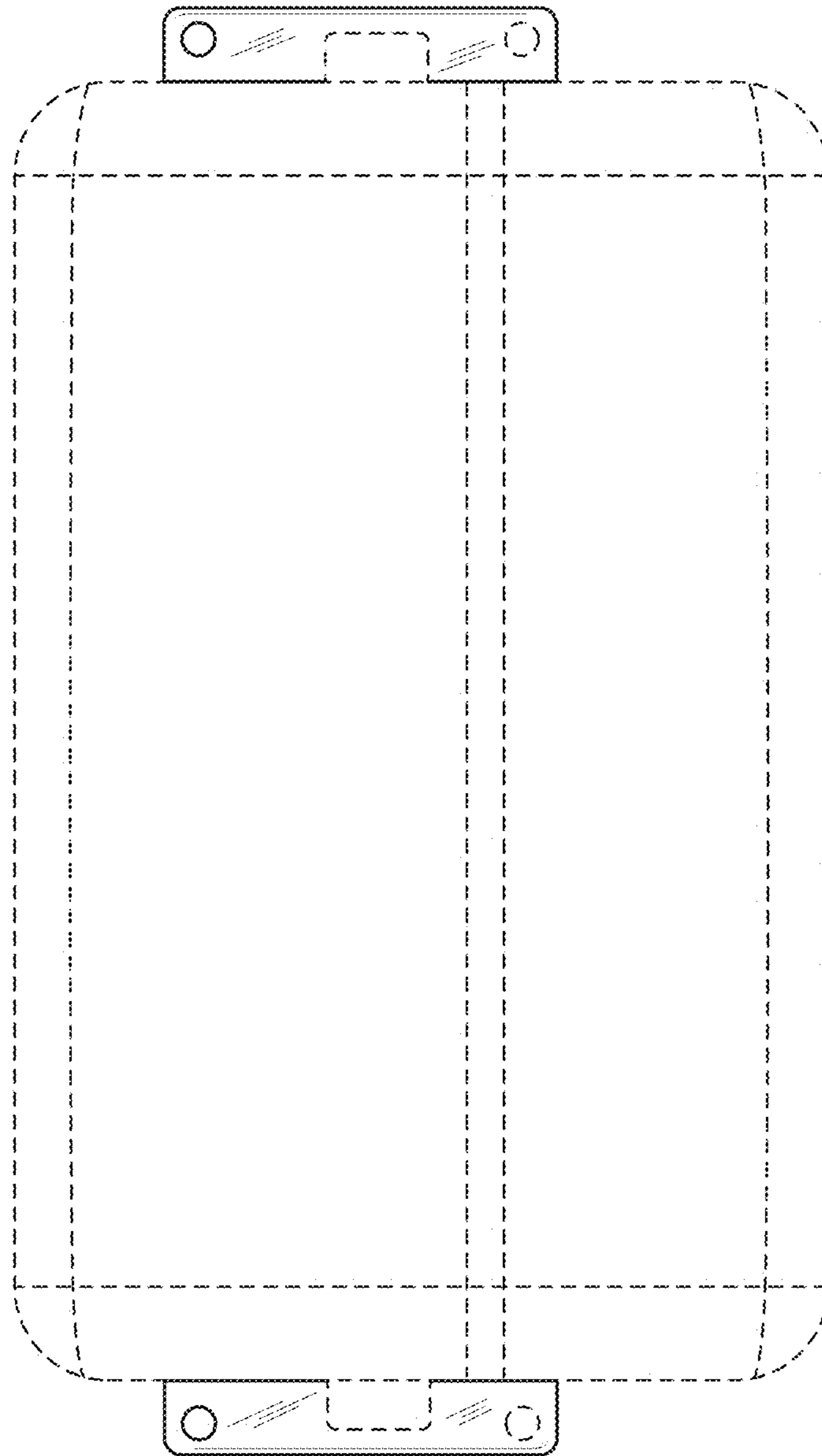


FIG. 3

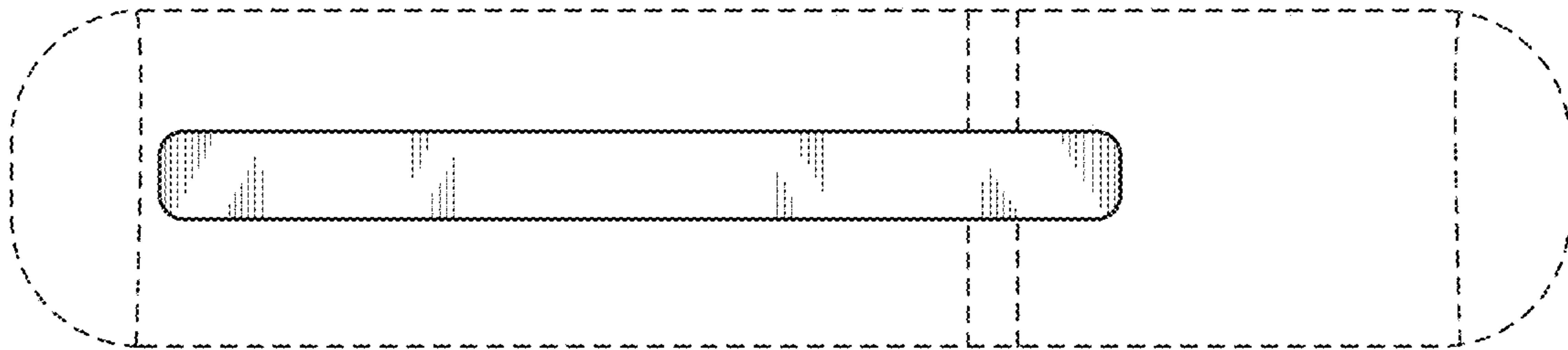


FIG. 4

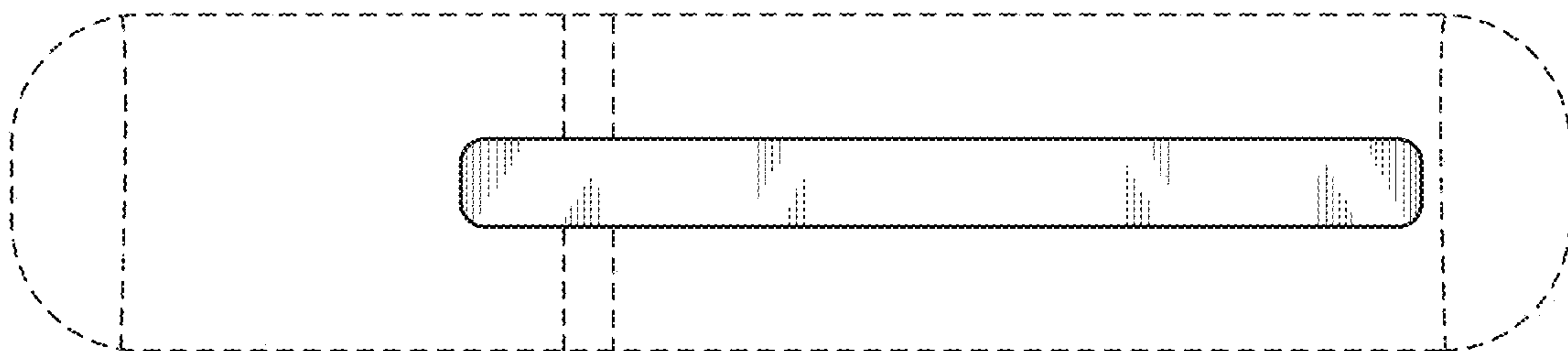


FIG. 5



FIG. 6

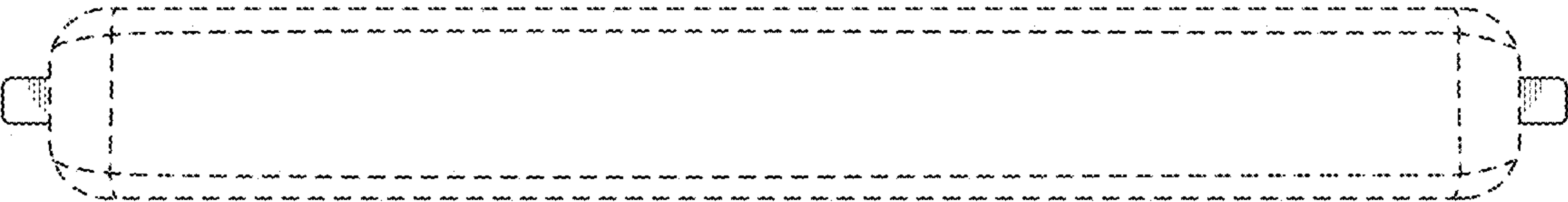


FIG. 7

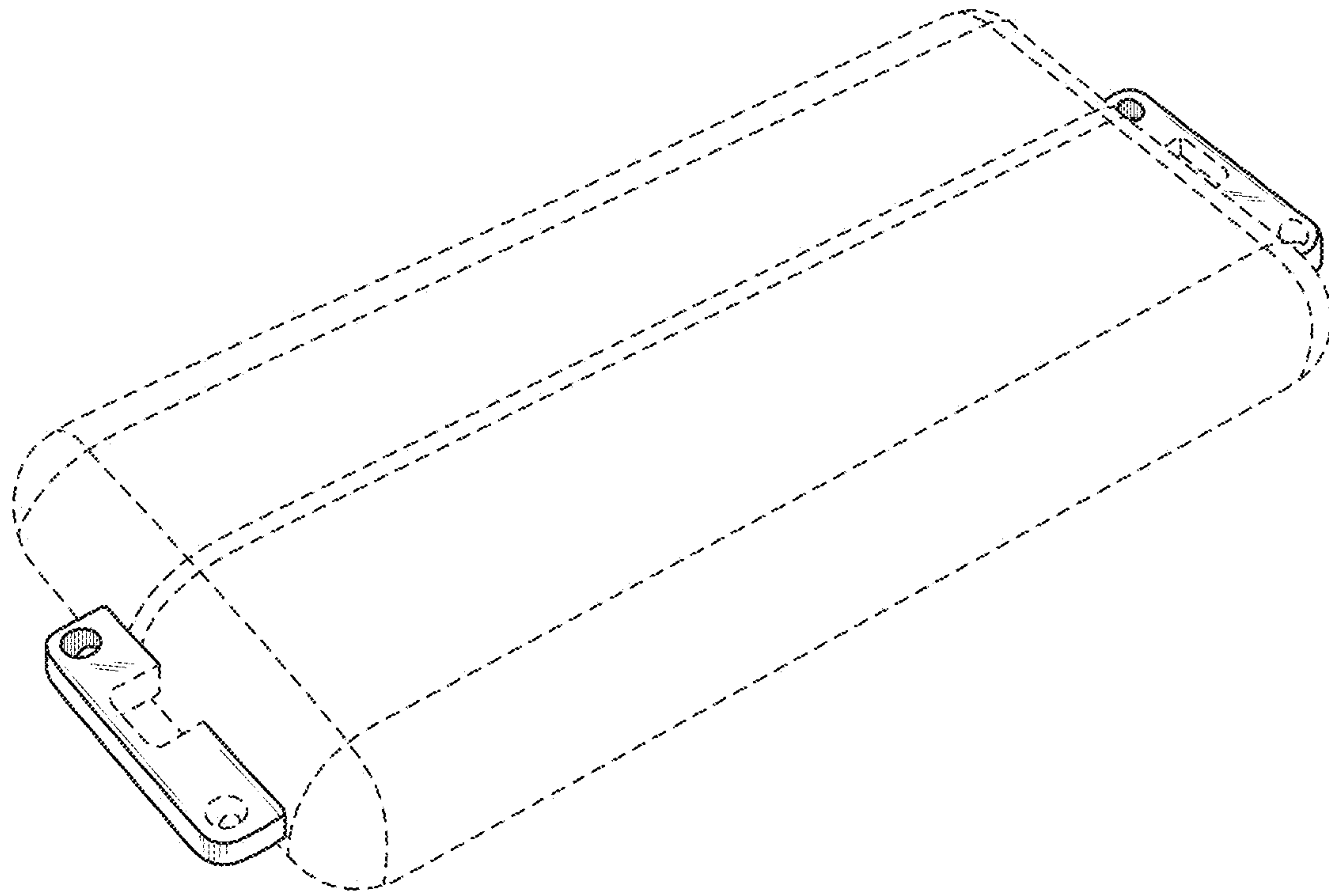


FIG. 8

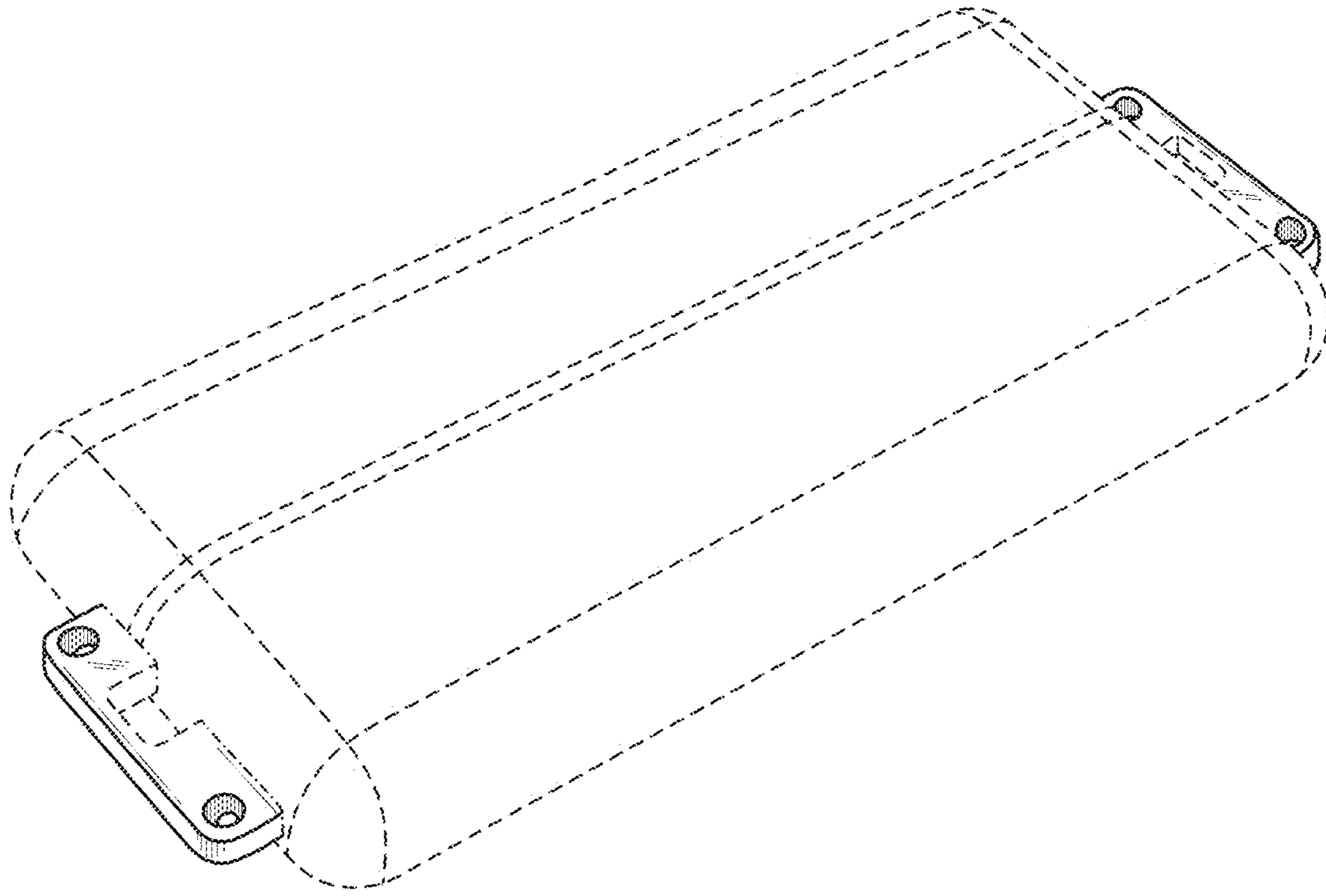


FIG. 9

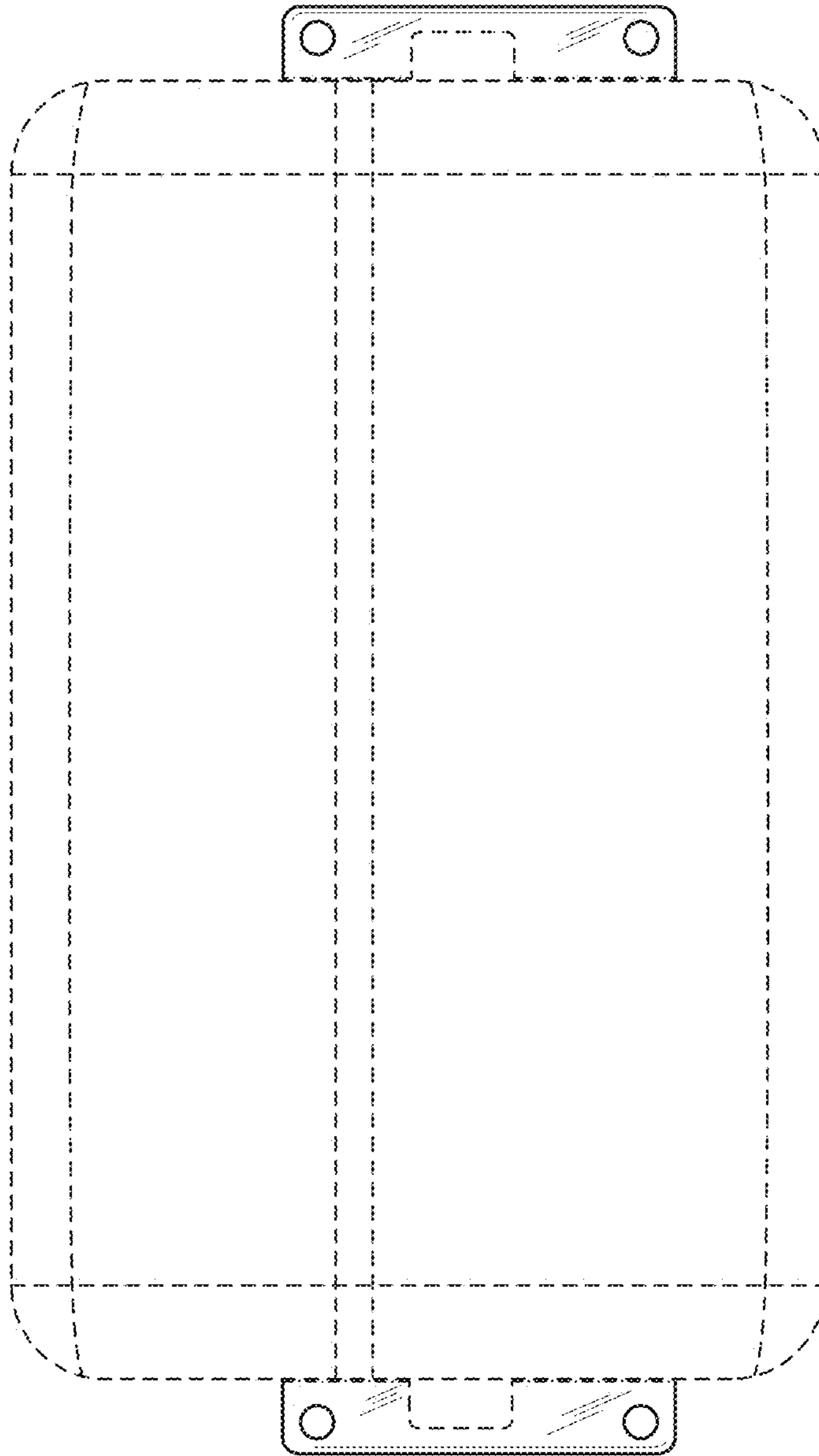


FIG. 10

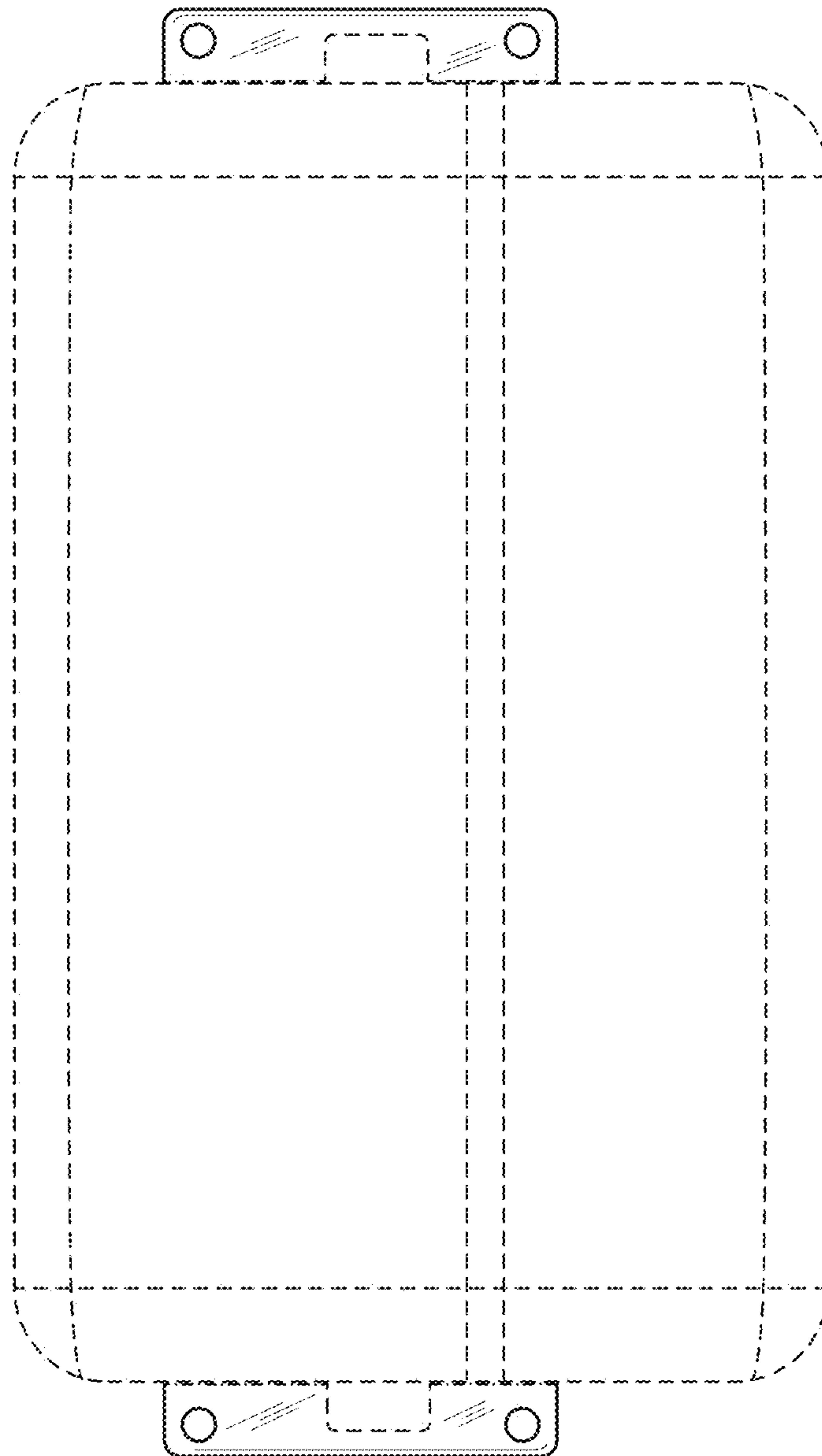


FIG. 11

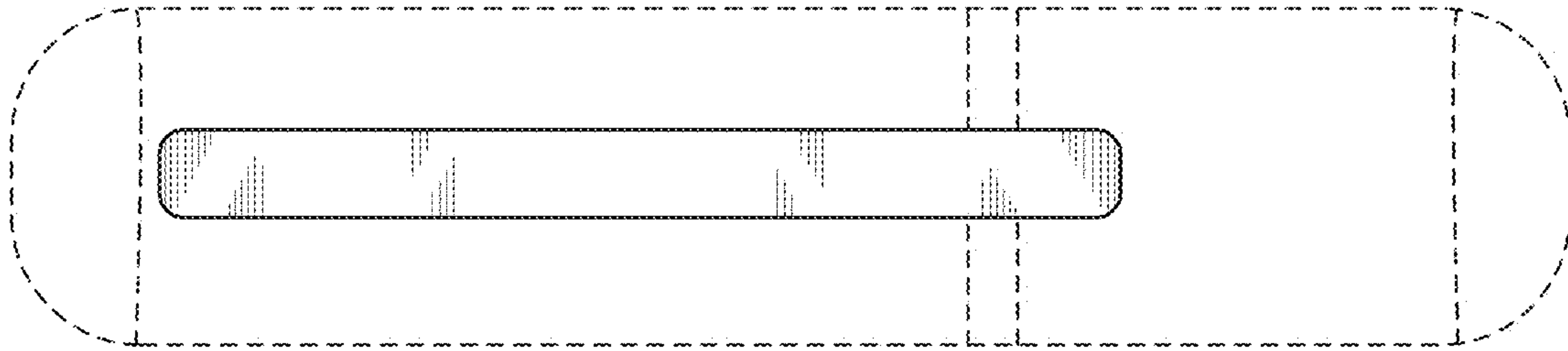


FIG. 12

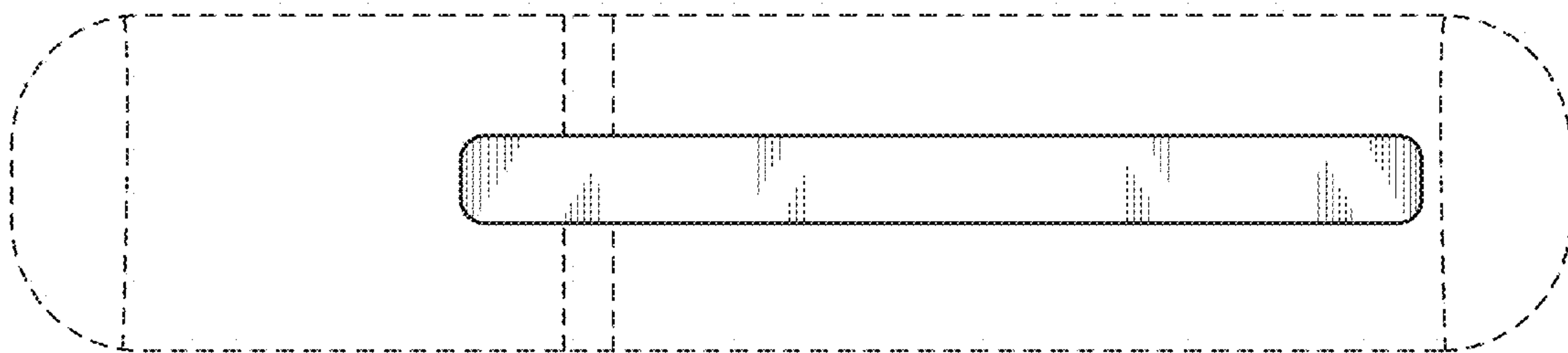


FIG. 13

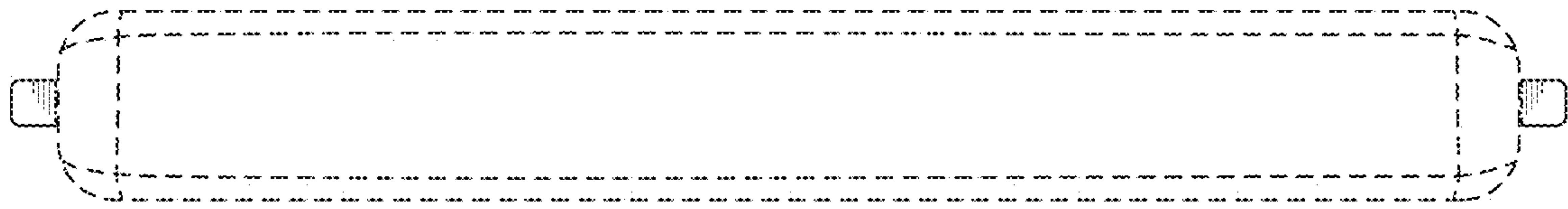


FIG. 14

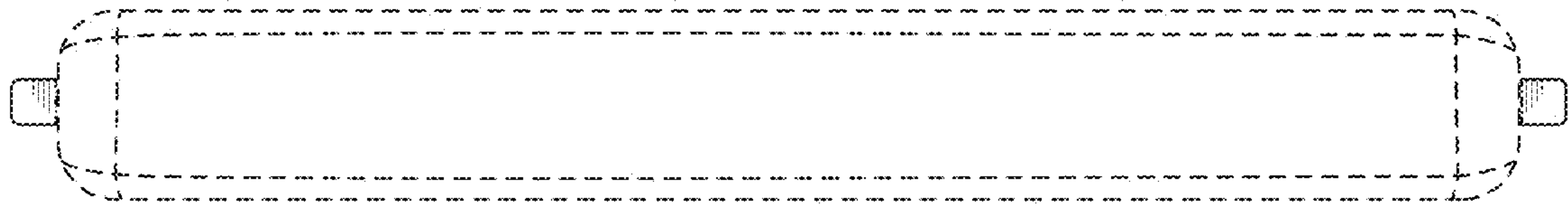


FIG. 15

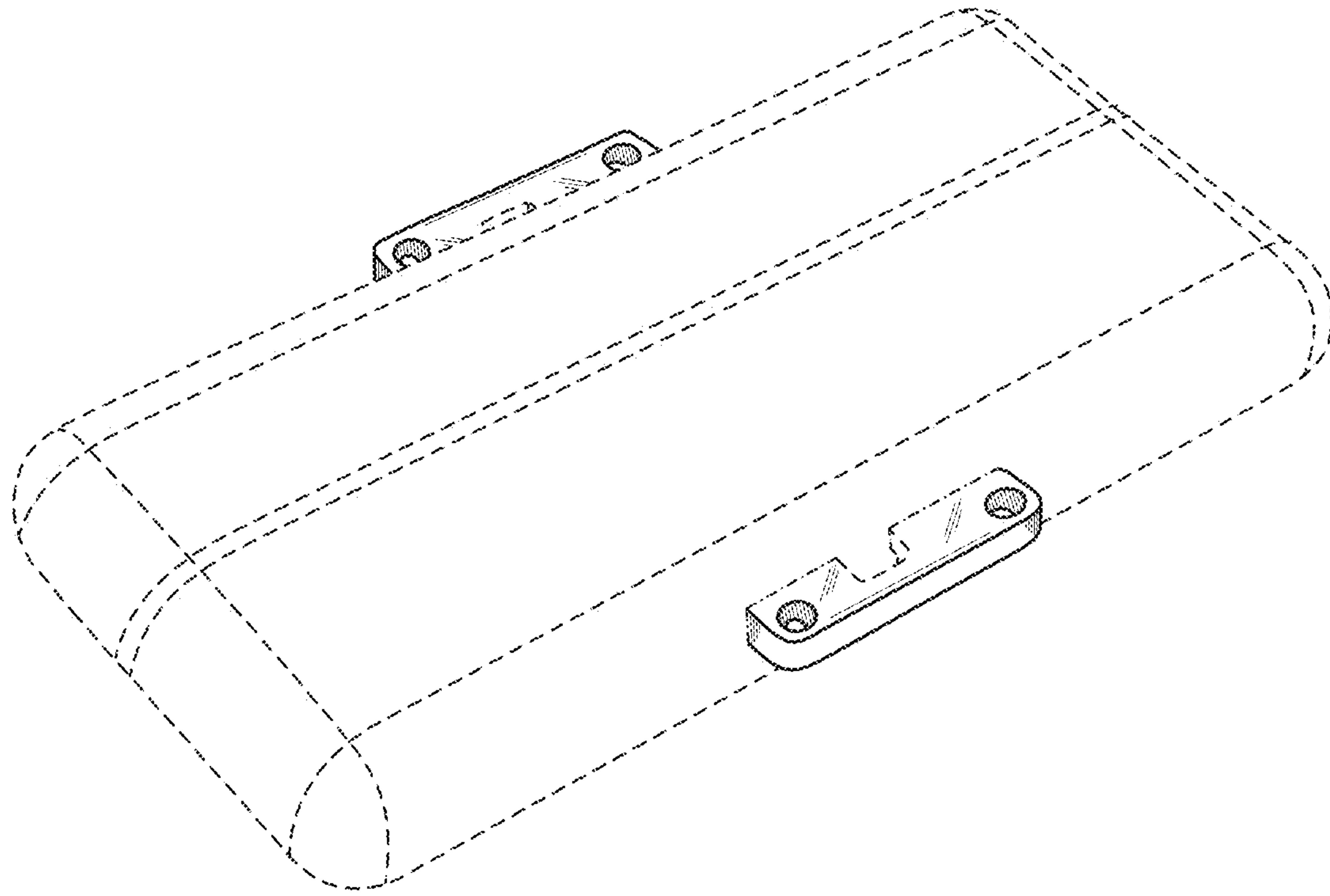


FIG. 16

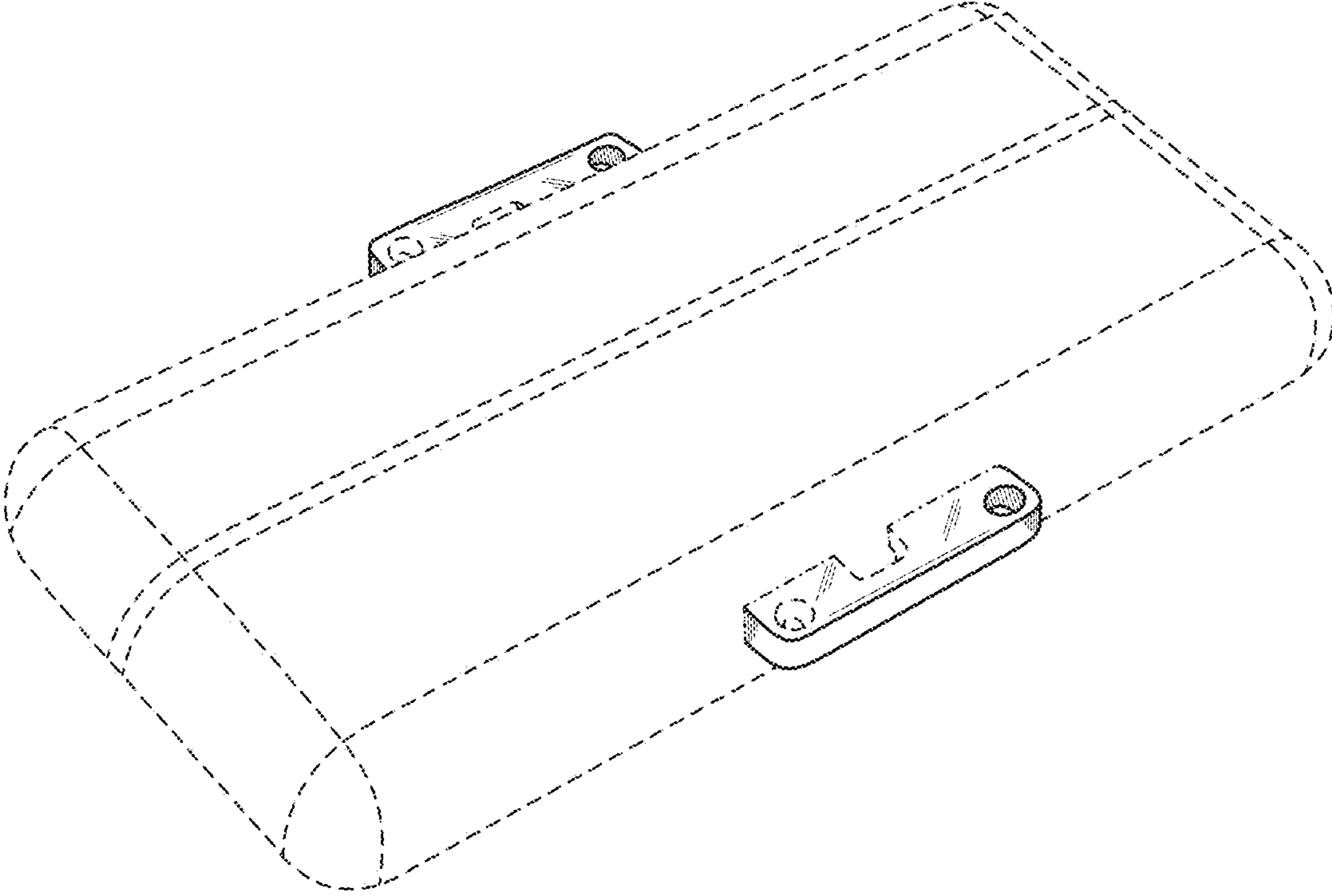


FIG. 17

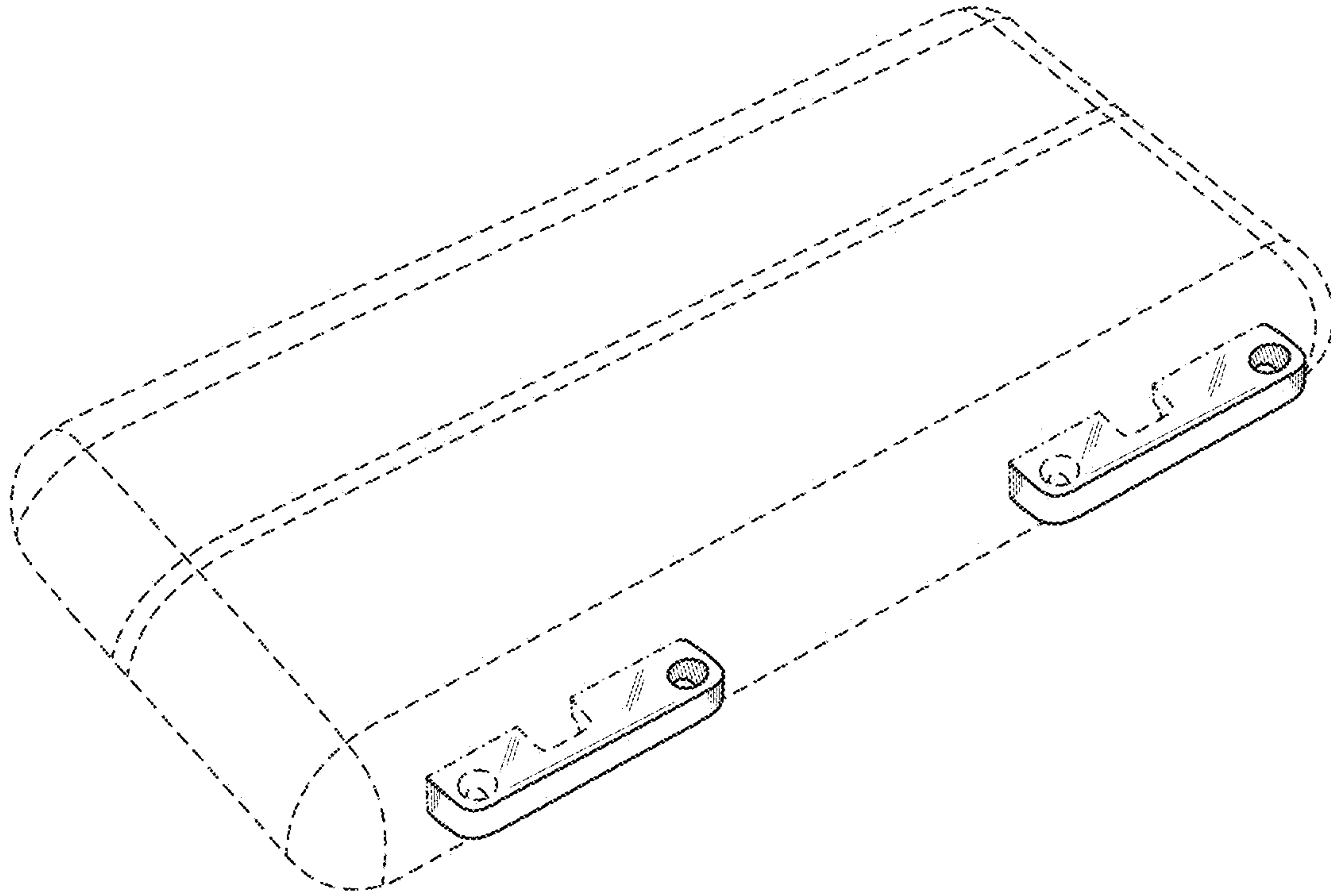


FIG. 18