



US00D926315S

(12) **United States Design Patent**  
**Do Coutto**

(10) **Patent No.:** **US D926,315 S**  
(45) **Date of Patent:** **\*\* Jul. 27, 2021**

(54) **FINGER-SPLINTING SHEATH DEVICE**

(71) Applicant: **Lynnda Rachel Do Coutto**, Cardiff,  
CA (US)

(72) Inventor: **Lynnda Rachel Do Coutto**, Cardiff,  
CA (US)

(\*\*) Term: **15 Years**

(21) Appl. No.: **29/731,537**

(22) Filed: **Apr. 15, 2020**

**Related U.S. Application Data**

(62) Division of application No. 16/790,002, filed on Feb.  
13, 2020.

(51) **LOC (13) Cl.** ..... **24-02**

(52) **U.S. Cl.**  
USPC ..... **D24/141**

(58) **Field of Classification Search**  
USPC ..... D24/141, 105, 214–215  
CPC ..... A61H 19/00; A61H 19/40; A61H 19/30;  
A61H 7/001; A61H 2201/0153; A61F  
6/00; A61F 6/06; A61F 2/005  
See application file for complete search history.

(56) **References Cited**

**U.S. PATENT DOCUMENTS**

4,794,920 A \* 1/1989 Robichaud ..... A61F 6/04  
D24/105  
D396,284 S \* 7/1998 Schaefer ..... D24/141

D845,478 S \* 4/2019 Luke ..... D24/141  
2006/0211911 A1 \* 9/2006 Jao ..... A61F 2/005  
600/29  
2020/0253817 A1 \* 8/2020 Do Coutto ..... A61H 19/40

\* cited by examiner

*Primary Examiner* — Wan Laymon

(74) *Attorney, Agent, or Firm* — Coast Patent Law Group,  
P.C.

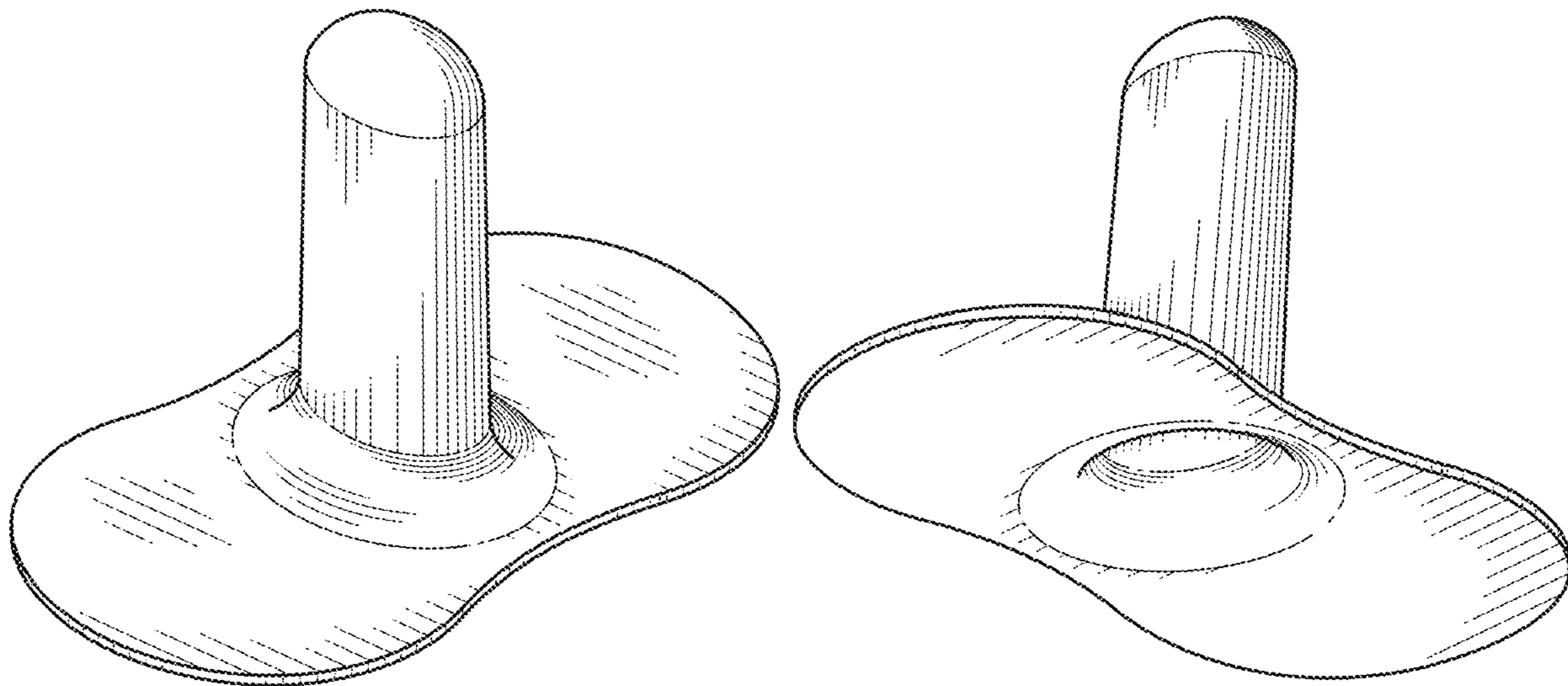
(57) **CLAIM**

The ornamental design for a finger-splinting sheath device,  
as shown and described.

**DESCRIPTION**

FIG. 1 is a first perspective view of a finger-splinting sheath device;  
FIG. 2 is a second perspective view of the finger-splinting sheath device;  
FIG. 3 is a front view of the finger-splinting sheath device;  
FIG. 4 is a left-side view of the finger-splinting sheath device;  
FIG. 5 is a top view of the finger-splinting sheath device;  
and,  
FIG. 6 is a bottom view of the finger-splinting sheath device.  
The finger-splinting sheath device is symmetrical, and as such: the rear view is a mirror opposite of the front view, and the right-side view is a mirror opposite of the left-side view.

**1 Claim, 2 Drawing Sheets**



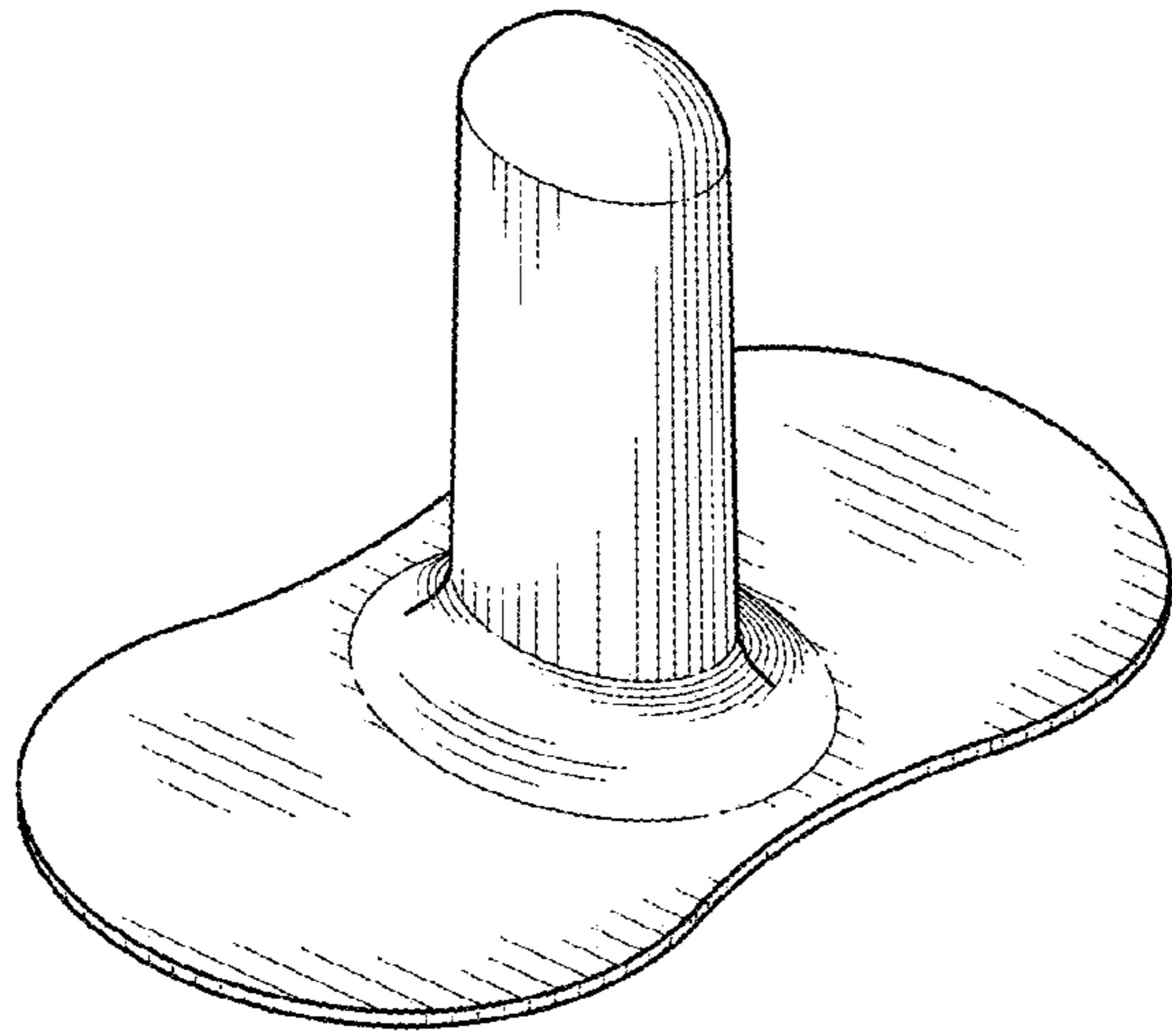


FIG. 1

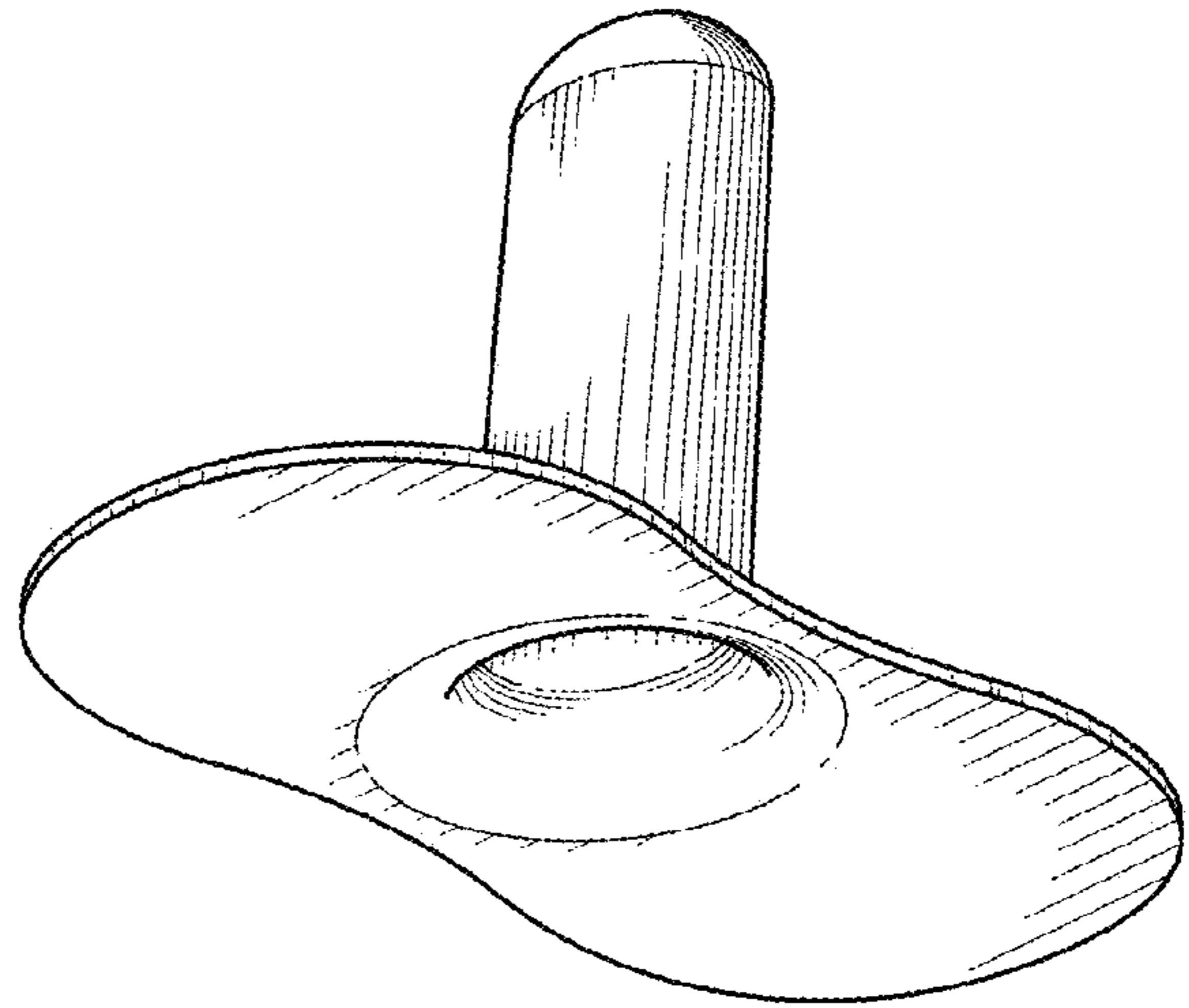


FIG. 2

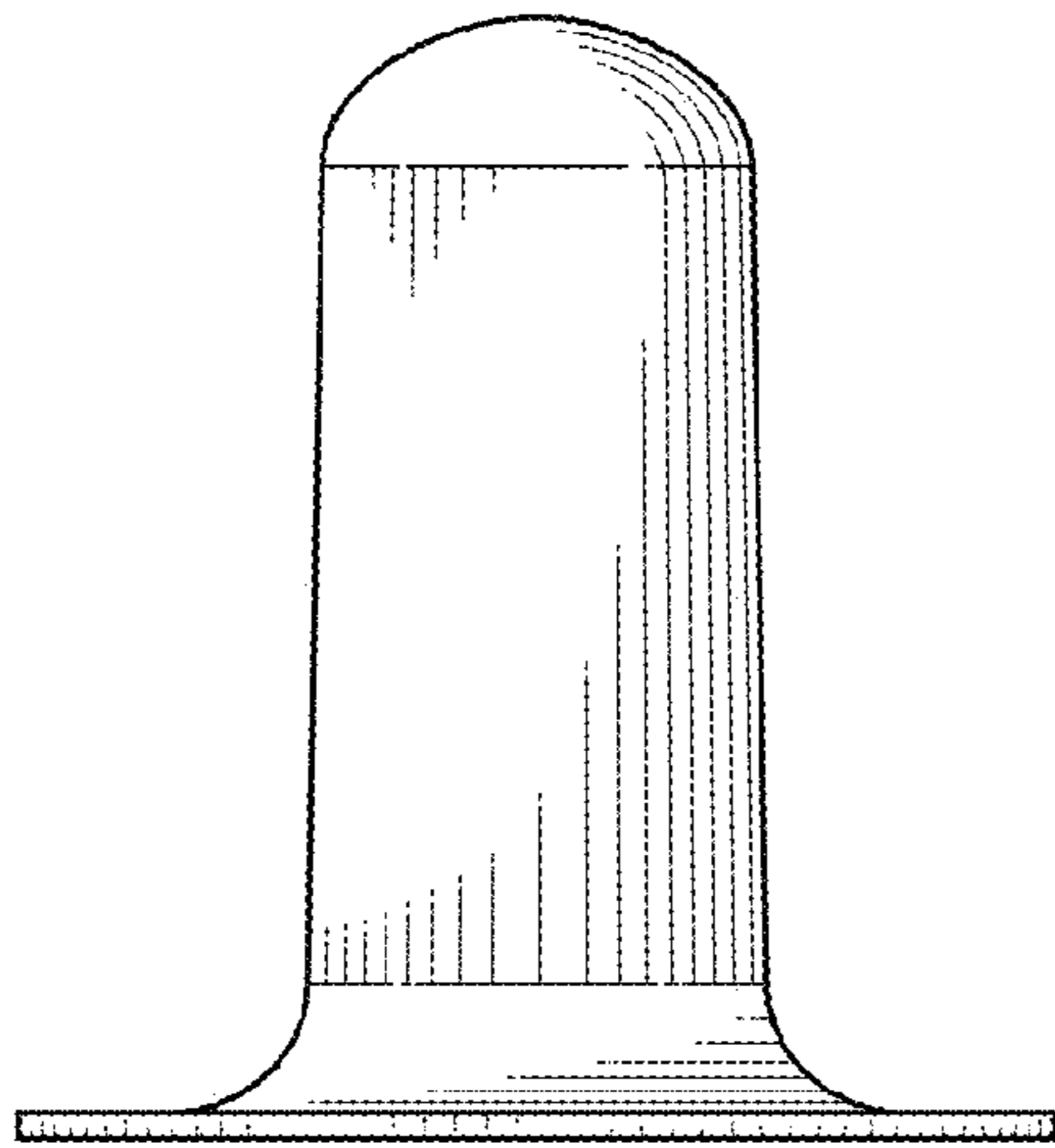


FIG. 3

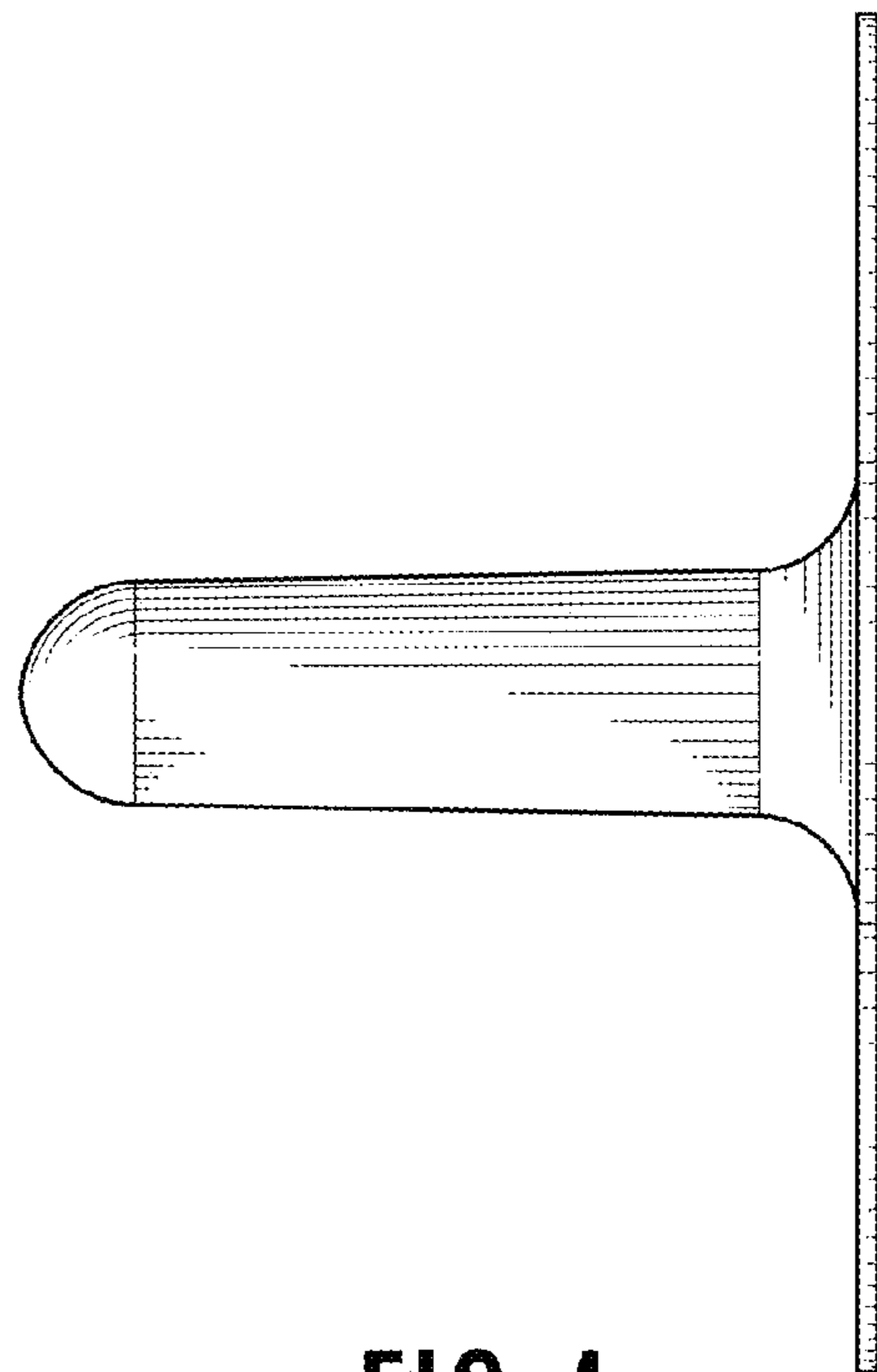
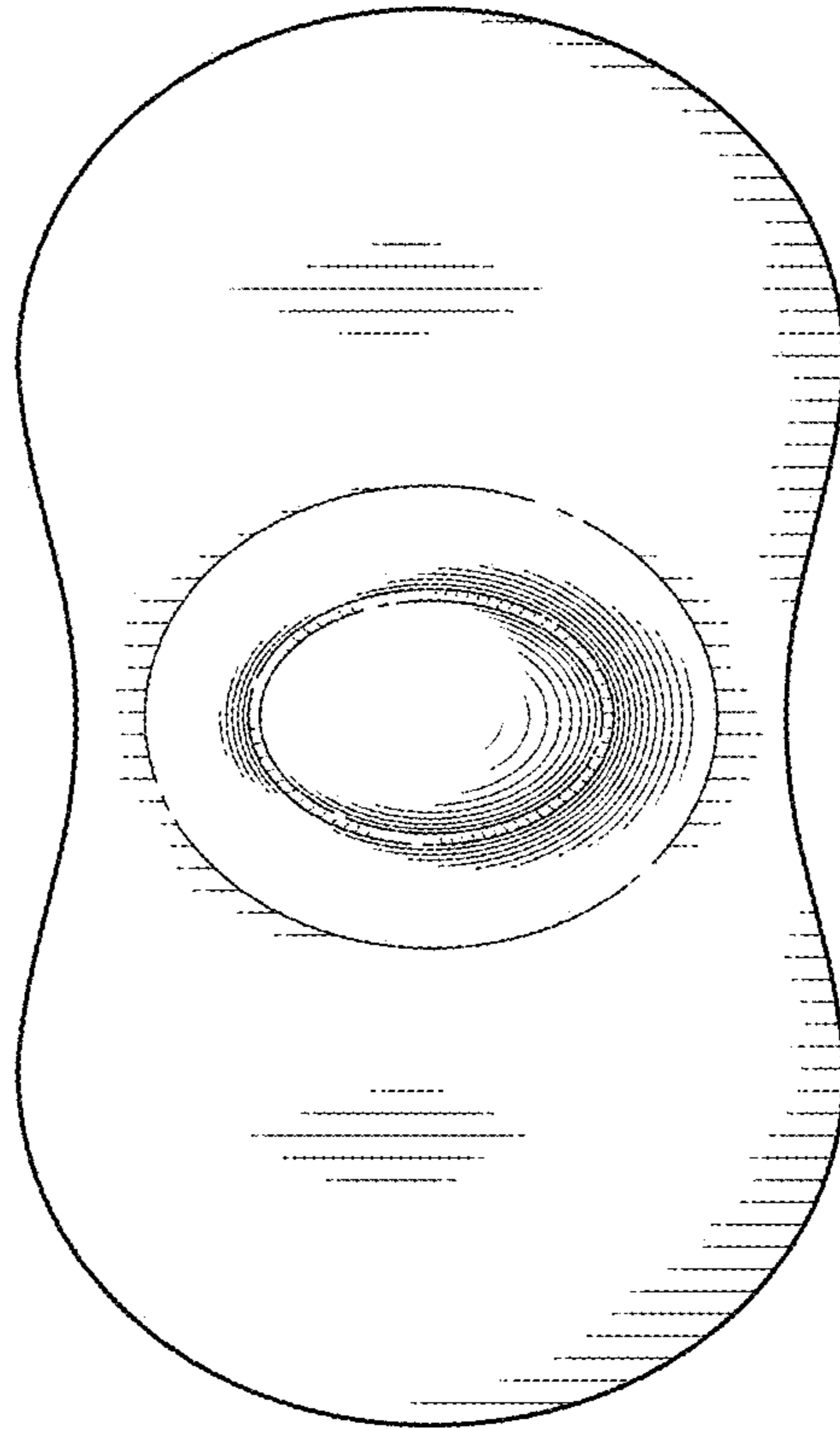


FIG. 4

**FIG. 5**



**FIG. 6**

