



US00D926314S

(12) **United States Design Patent**  
**Hayamizu**

(10) **Patent No.:** **US D926,314 S**

(45) **Date of Patent:** **\*\* Jul. 27, 2021**

(54) **ENDOSCOPE PROCESSOR**

(71) Applicant: **HOYA CORPORATION**, Tokyo (JP)

(72) Inventor: **Eiji Hayamizu**, Tokyo (JP)

(73) Assignee: **HOYA CORPORATION**, Tokyo (JP)

(\*\*) Term: **15 Years**

(21) Appl. No.: **29/703,839**

(22) Filed: **Aug. 29, 2019**

(30) **Foreign Application Priority Data**

Mar. 1, 2019 (JP) ..... 2019-004280

(51) **LOC (13) Cl.** ..... **24-02**

(52) **U.S. Cl.**

USPC ..... **D24/138**

(58) **Field of Classification Search**

USPC ..... D24/138, 137, 147, 144, 108, 113, 127,  
D24/133; D14/203.1

CPC . G02B 23/2476; G02B 23/2484; G02B 23/16

See application file for complete search history.

(56) **References Cited**

**U.S. PATENT DOCUMENTS**

D412,977 S \* 8/1999 Hayamizu ..... D24/107

D481,123 S \* 10/2003 Hayamizu ..... D24/107

D534,654 S \* 1/2007 Hayamizu ..... D24/107

D564,094 S \* 3/2008 Hayashi ..... D24/107

D564,661 S \* 3/2008 Hayashi ..... D24/107

D641,081 S \* 7/2011 Onuma ..... D24/138

D754,337 S \* 4/2016 Hayamizu ..... D24/138

\* cited by examiner

*Primary Examiner* — Eliza Z Bennett-Hattan

(74) *Attorney, Agent, or Firm* — Fitch, Even, Tabin & Flannery LLP

(57) **CLAIM**

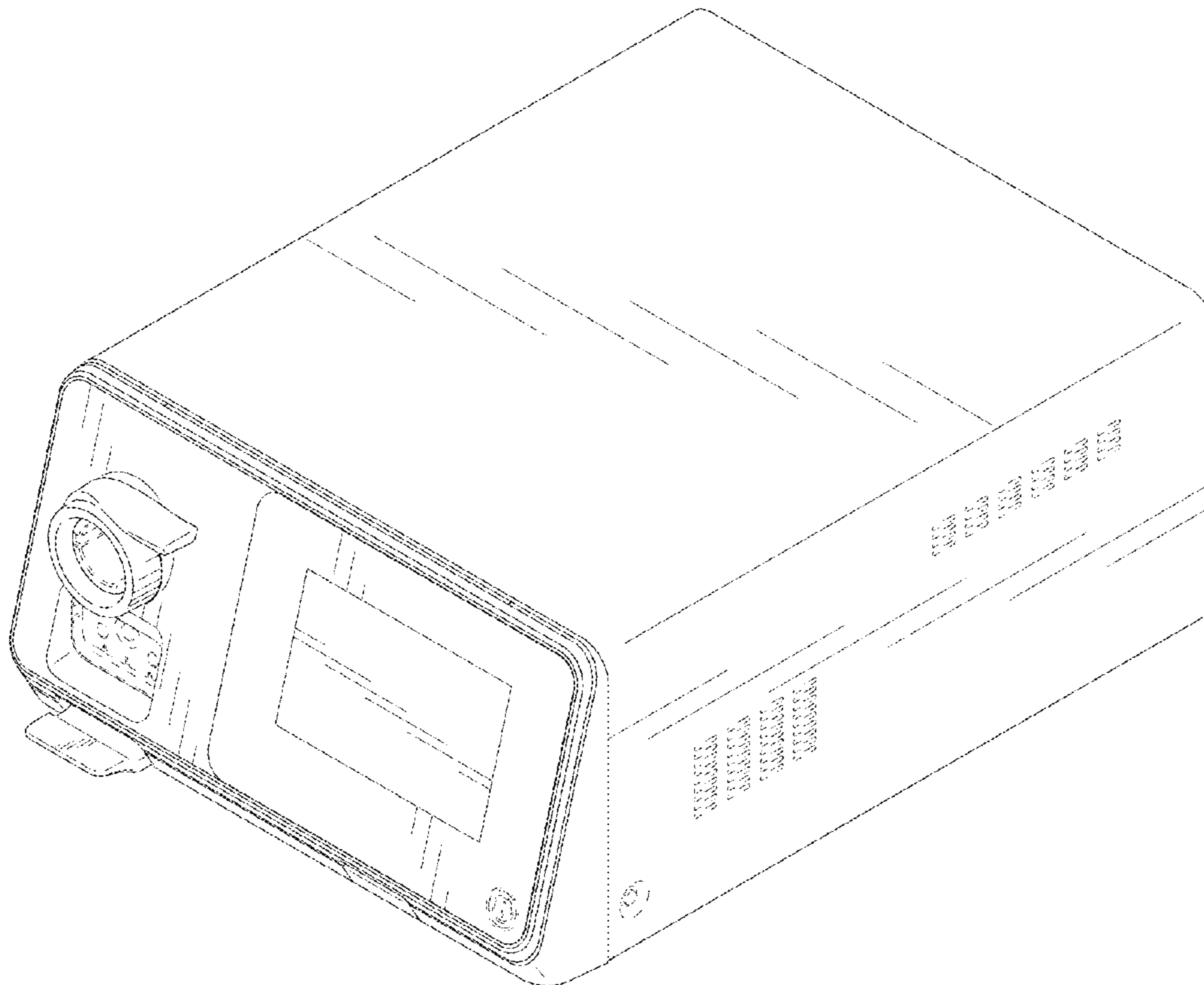
I claim the ornamental design for an endoscope processor, as shown and described.

**DESCRIPTION**

FIG. 1 is a front, top and right side perspective view of an endoscope processor, showing my new design; FIG. 2 is a front, top, and left side perspective view thereof; FIG. 3 is a front elevational view thereof; FIG. 4 is a top plan view thereof; FIG. 5 is a right side elevational view thereof; FIG. 6 is a left side elevational view thereof; FIG. 7 is a rear elevational view thereof; and, FIG. 8 is a bottom plan view thereof.

The broken lines illustrate portions of the endoscope processor and form no part of the claimed design.

**1 Claim, 8 Drawing Sheets**



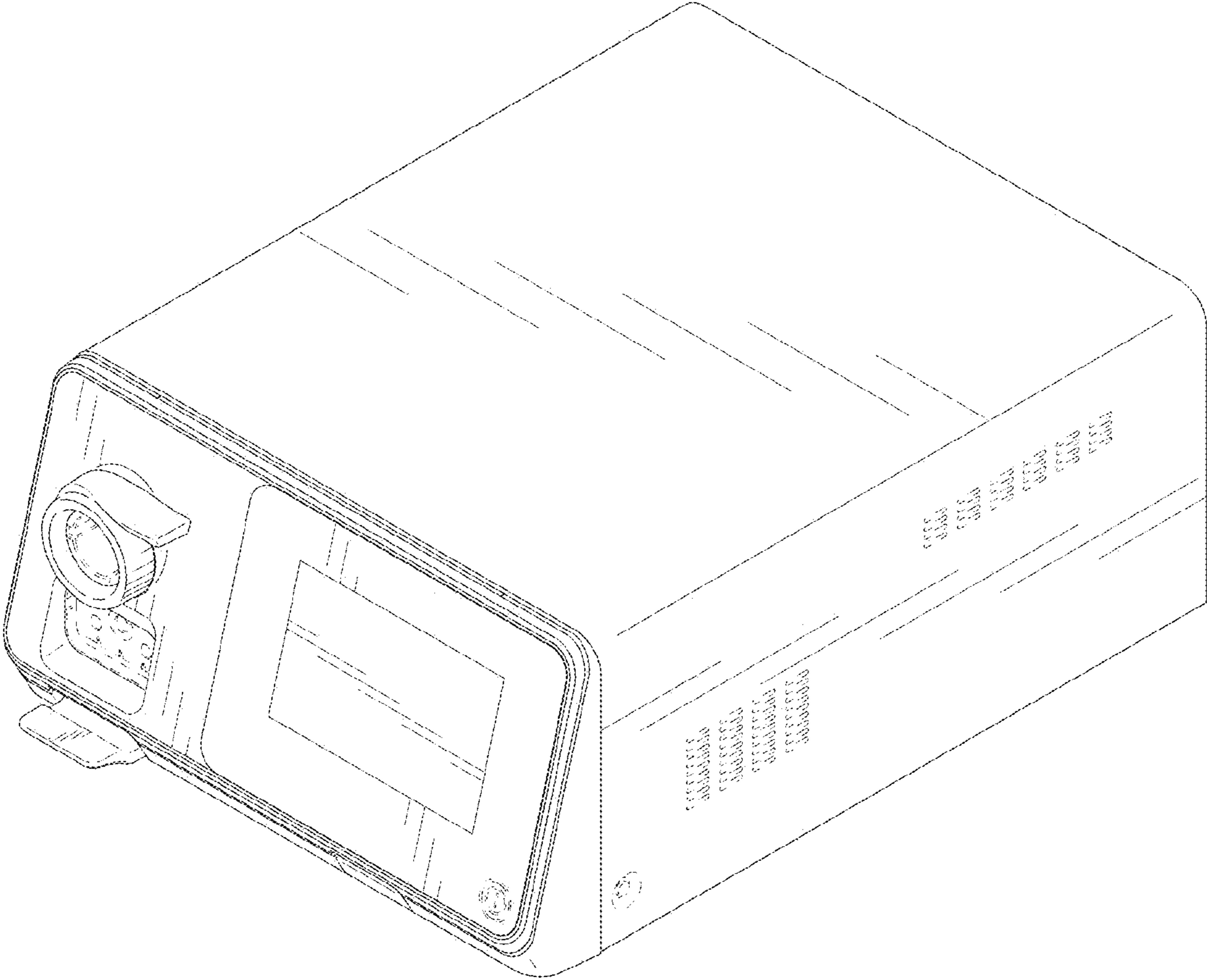


FIG. 1

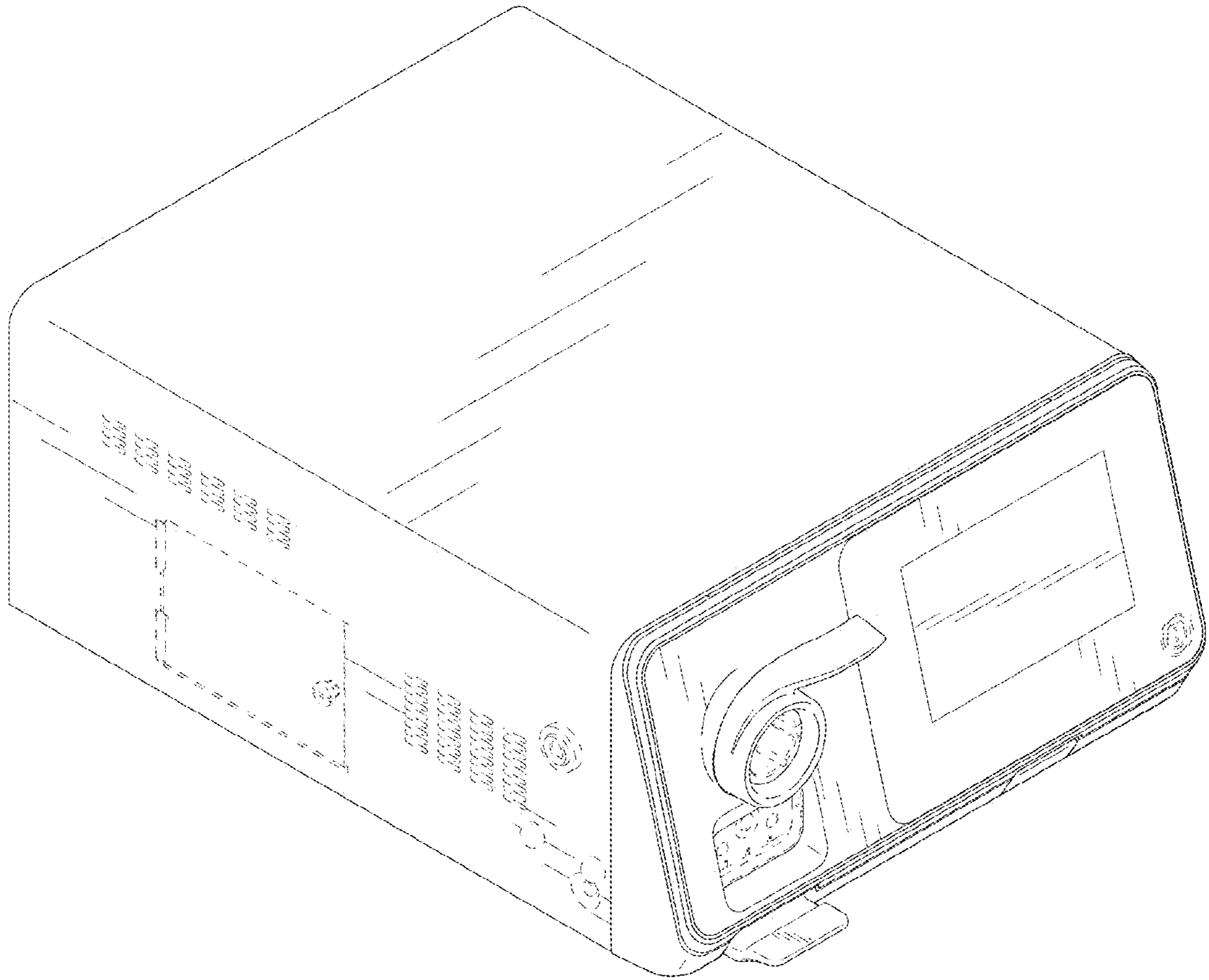


FIG. 2

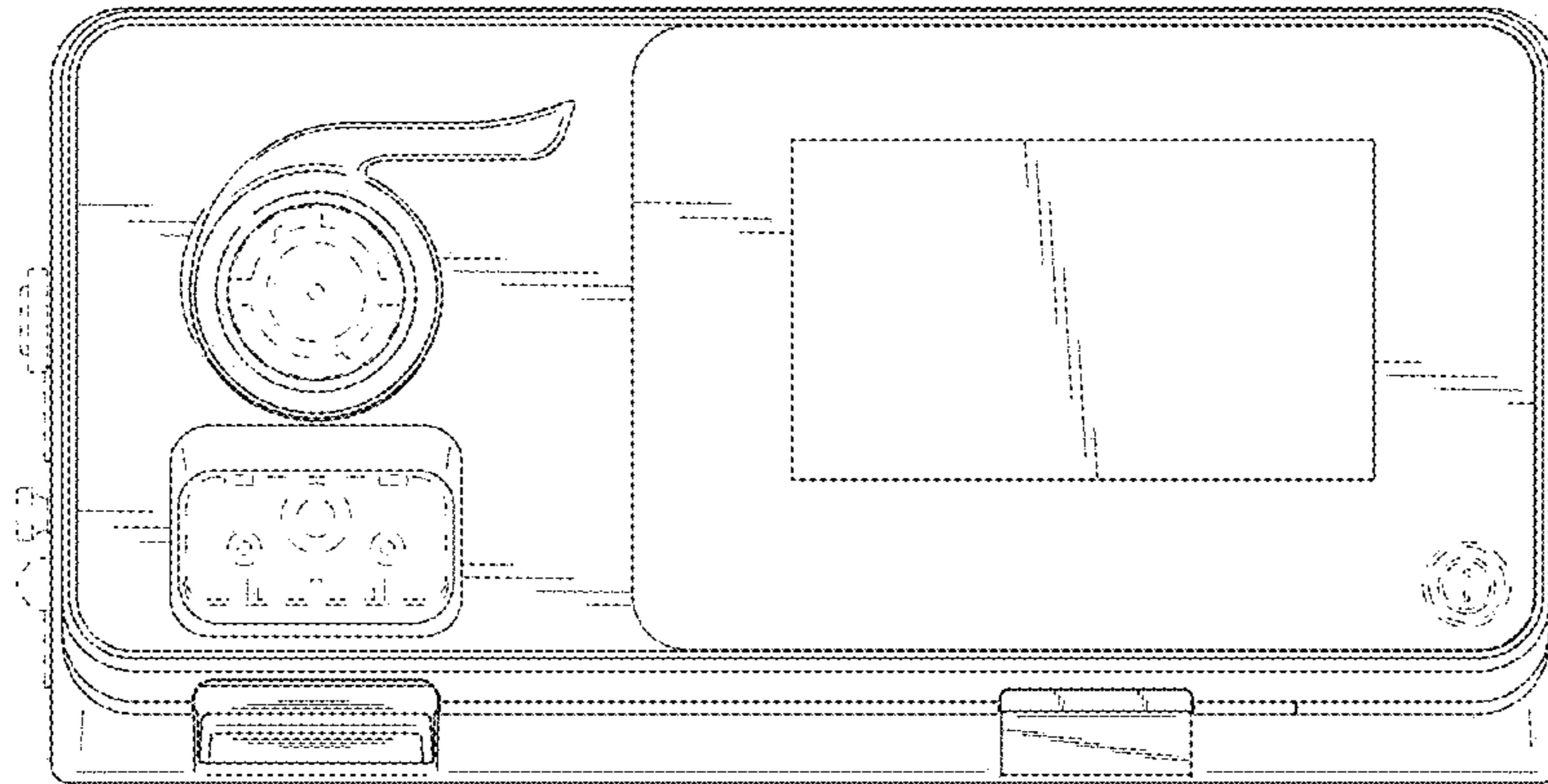


FIG. 3

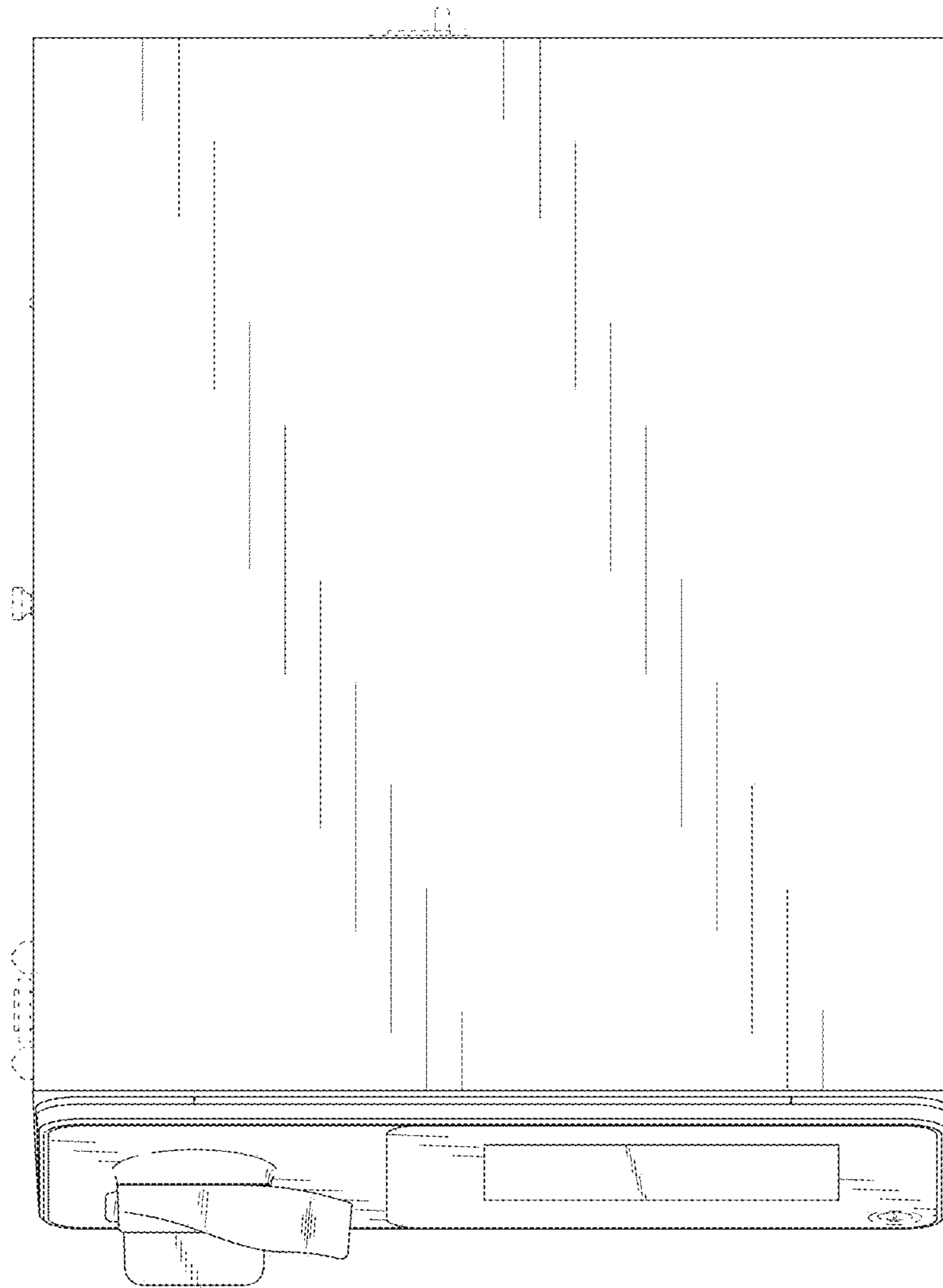


FIG. 4

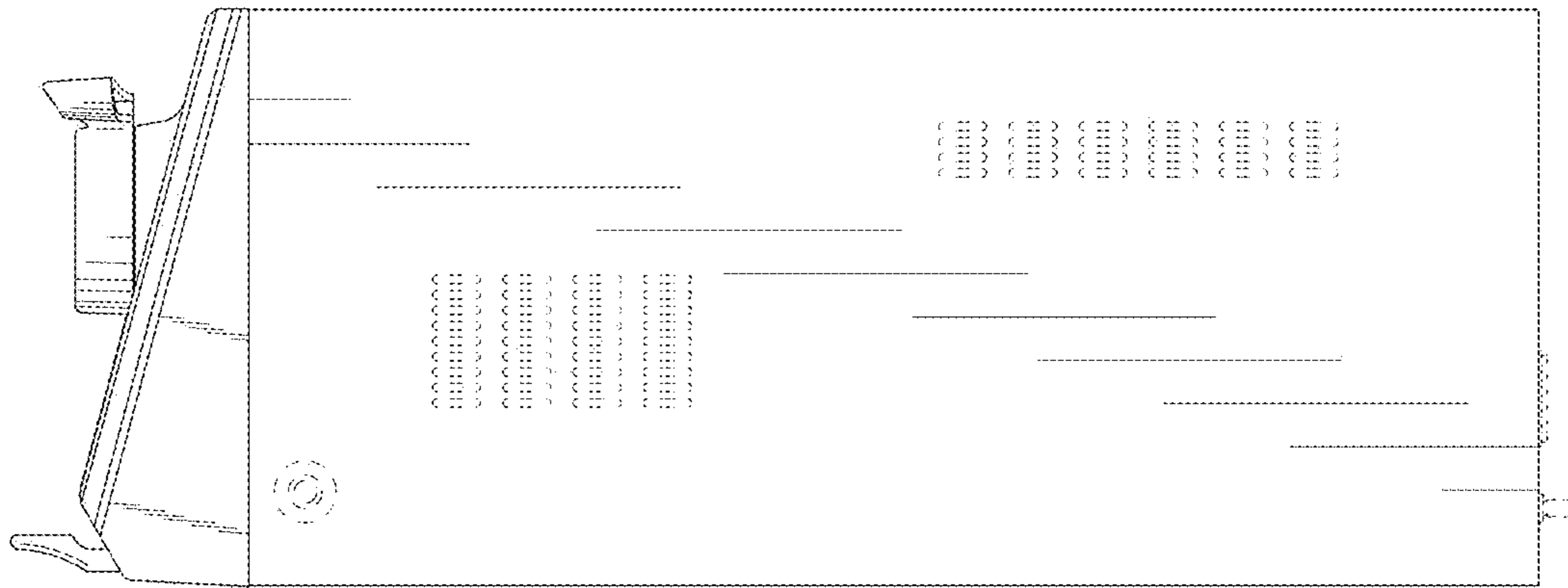


FIG. 5



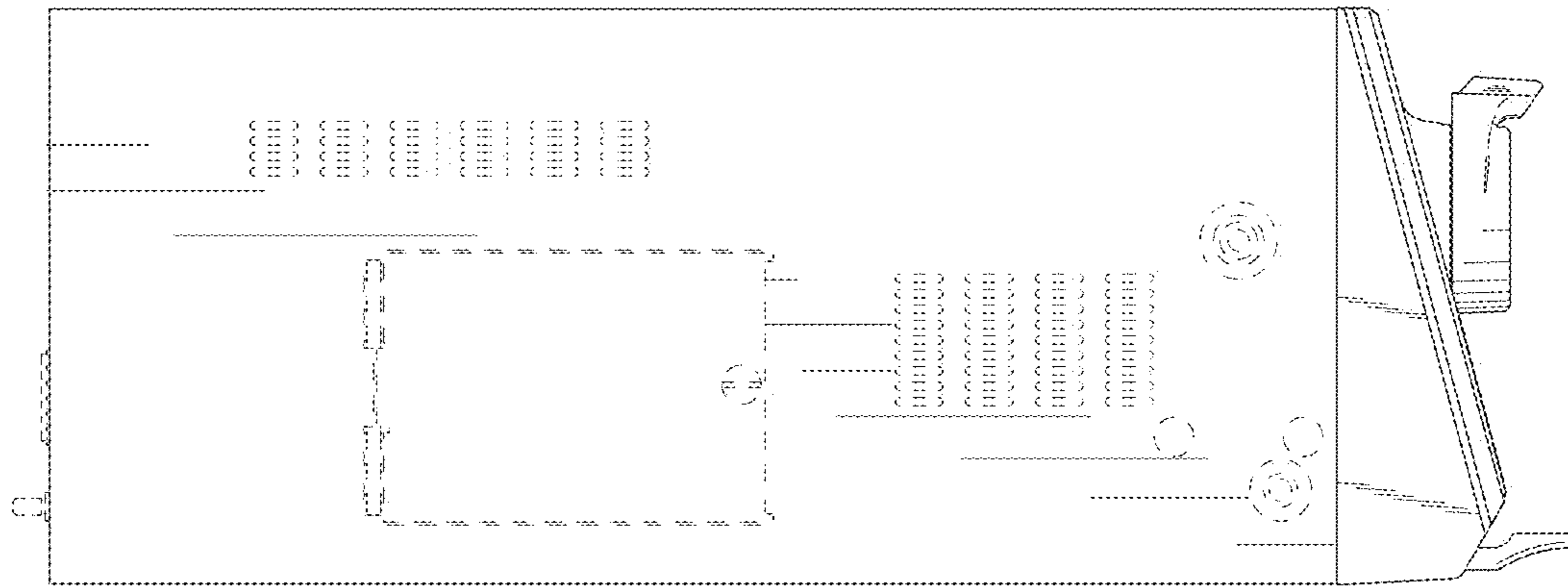


FIG. 6

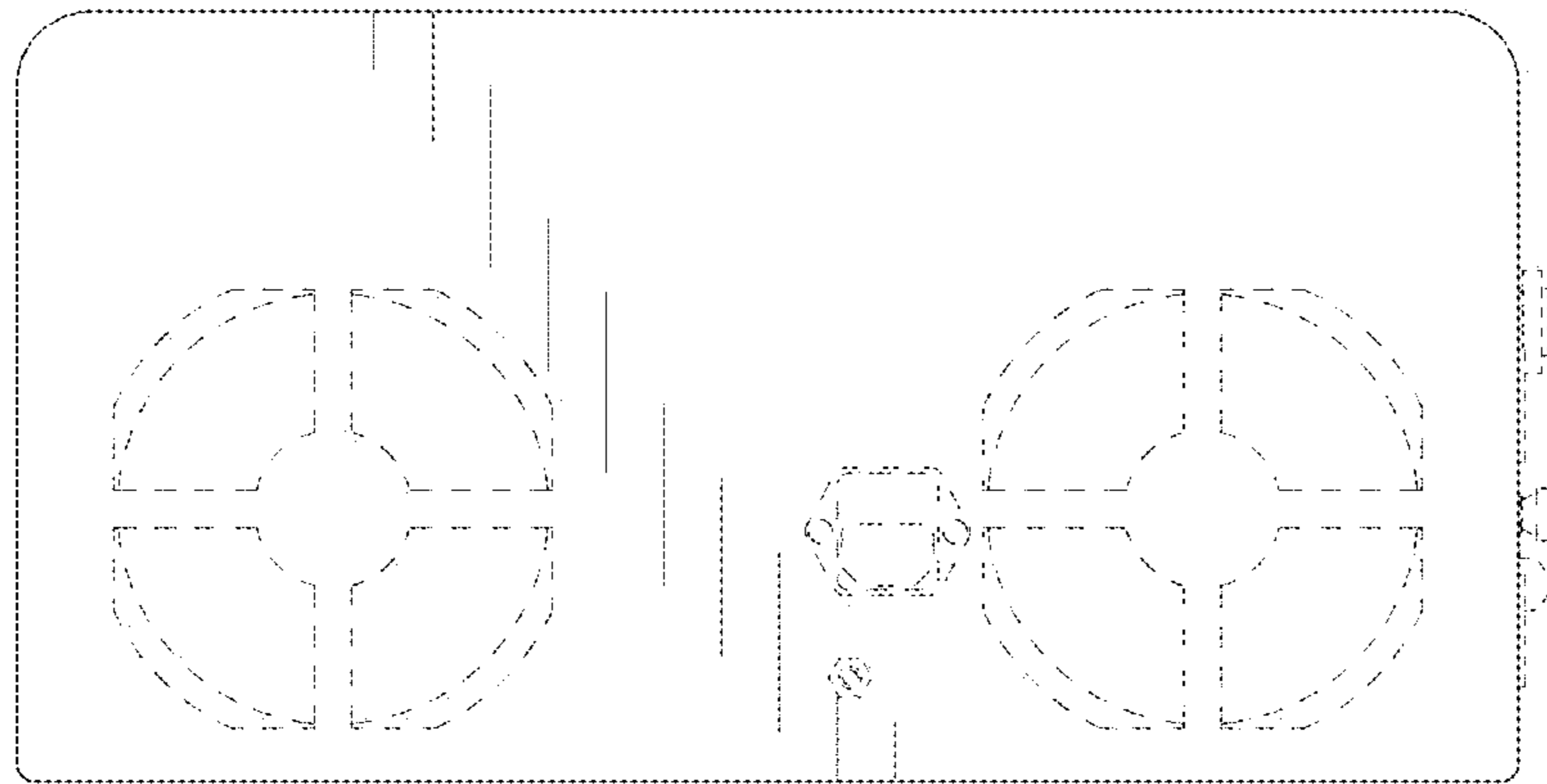


FIG. 7



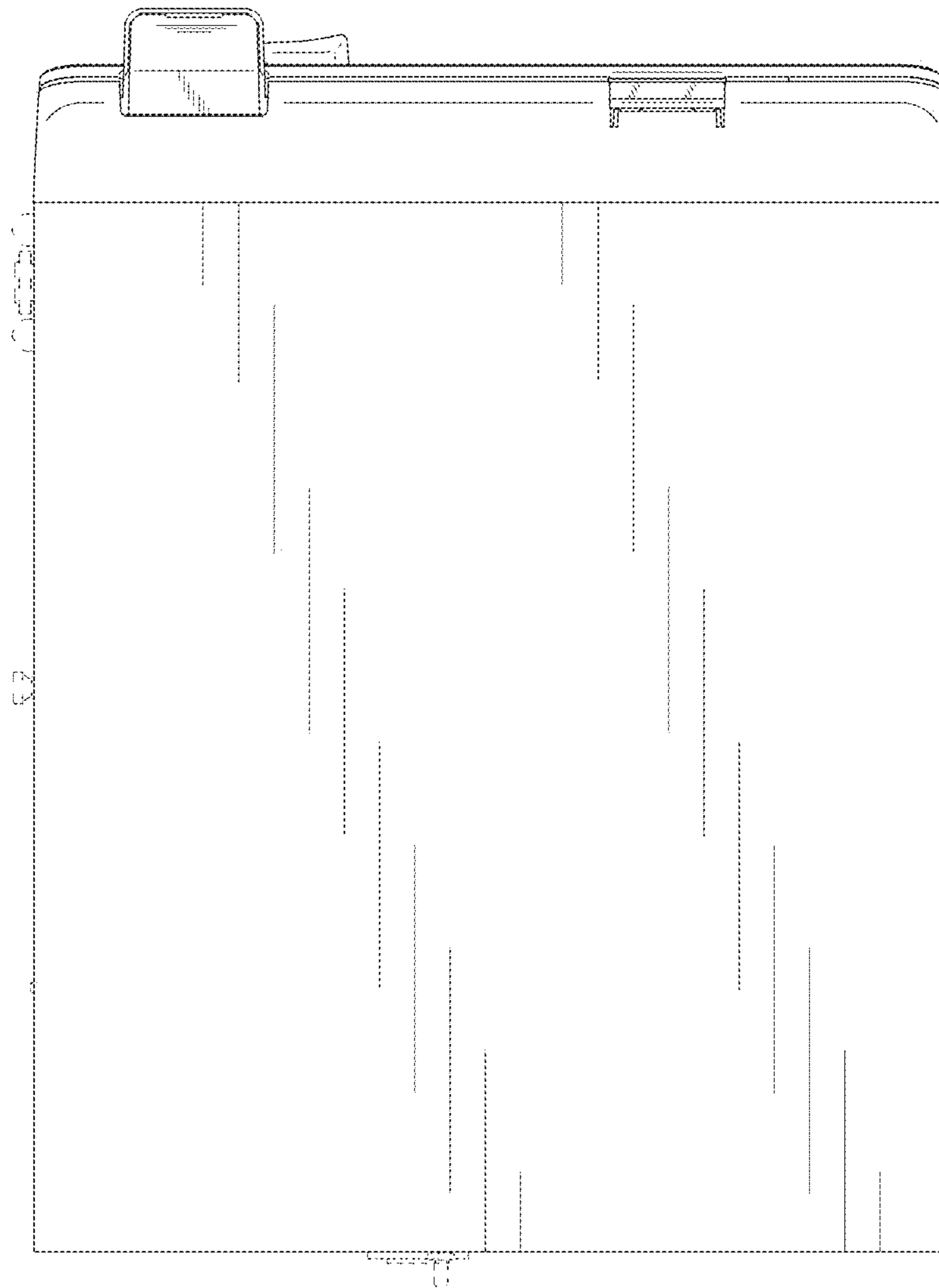


FIG. 8