



US00D926305S

(12) **United States Design Patent**  
**Lee**

(10) **Patent No.:** **US D926,305 S**  
(45) **Date of Patent:** **\*\* Jul. 27, 2021**

(54) **AROMA DIFFUSER**

(71) Applicant: **Bloomy Lotus Ltd**, Hong Kong (HK)

(72) Inventor: **Leander Lee**, Hong Kong (HK)

(73) Assignee: **Bloomy Lotus Ltd**, Hong Kong (HK)

(\*\*) Term: **15 Years**

(21) Appl. No.: **29/708,839**

(22) Filed: **Oct. 10, 2019**

(30) **Foreign Application Priority Data**

May 16, 2019 (HK) ..... 1913652.8M002

(51) **LOC (13) Cl.** ..... **23-04**

(52) **U.S. Cl.**  
USPC ..... **D23/366**

(58) **Field of Classification Search**  
USPC ..... D23/209, 355, 356, 358, 359, 360, 364,  
D23/365, 366, 367; D99/5  
CPC . A61L 9/03; A61L 9/012; A61L 9/015; A61L  
9/037; F41J 1/01  
See application file for complete search history.

(56) **References Cited**

**U.S. PATENT DOCUMENTS**

D771,439 S \* 11/2016 Miller ..... D7/523  
D797,190 S \* 9/2017 Laemle ..... D19/84

D828,527 S \* 9/2018 Xu ..... D23/356  
D840,013 S \* 2/2019 Zhang ..... D23/366  
D842,446 S \* 3/2019 Wen ..... D23/366  
D852,318 S \* 6/2019 Lin ..... D23/207  
D864,371 S \* 10/2019 Chen ..... D23/366  
D878,528 S \* 3/2020 Fu ..... D23/356  
D888,922 S \* 6/2020 Zhong ..... D23/364  
2008/0279731 A1 \* 11/2008 Goreham ..... A61L 9/037  
422/125

\* cited by examiner

*Primary Examiner* — John A Voytek

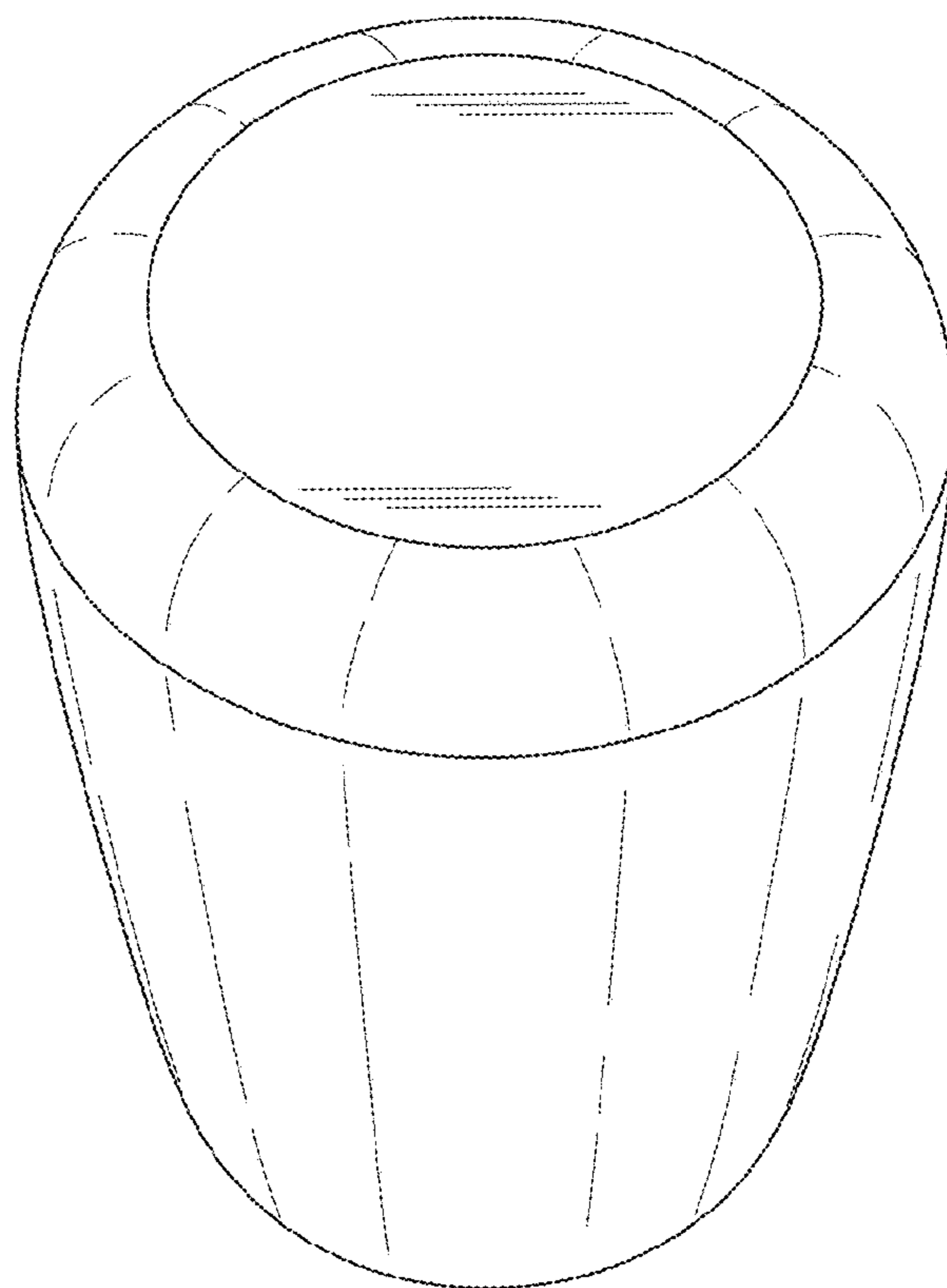
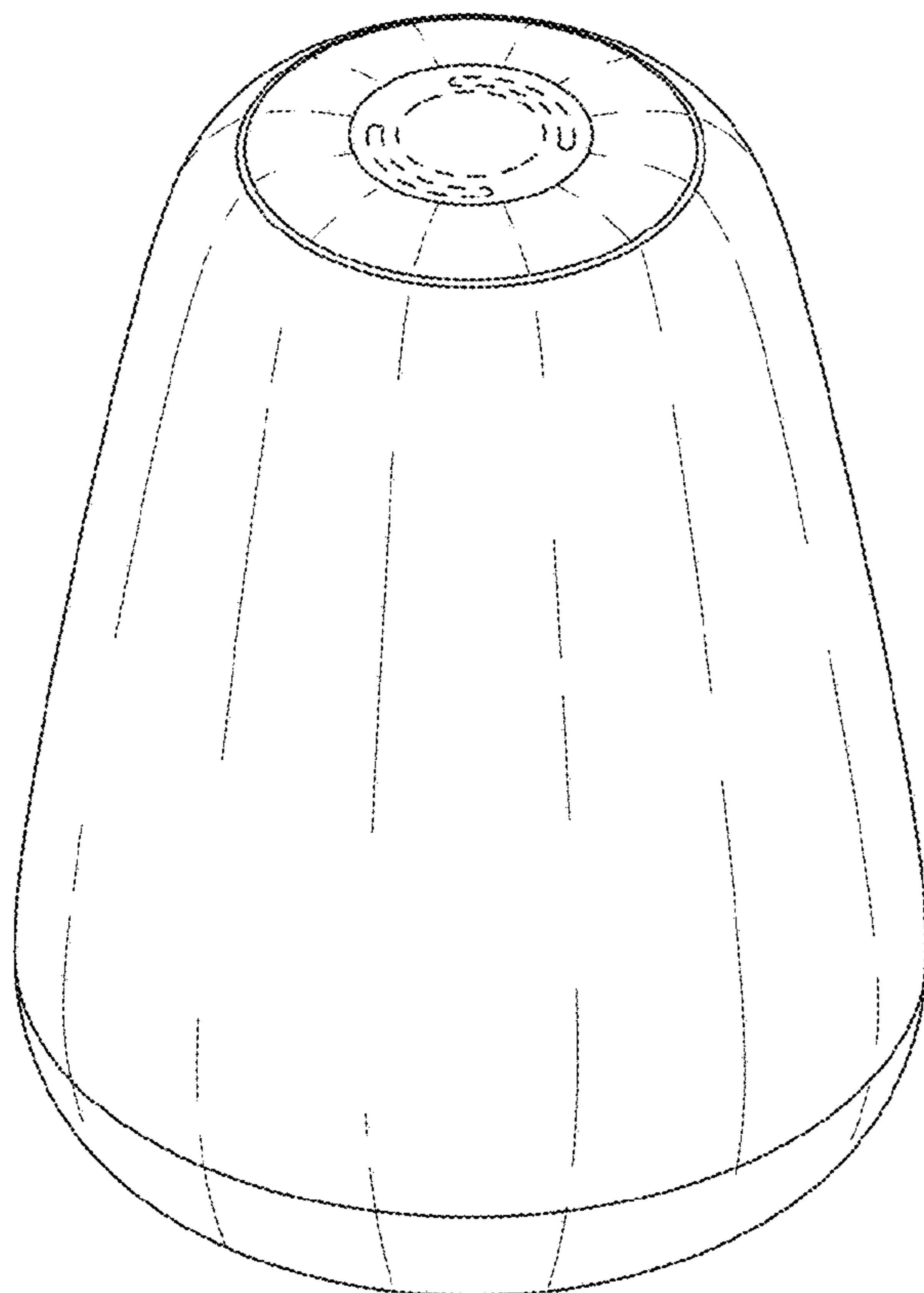
(57) **CLAIM**

The ornamental design for an aroma diffuser, as shown and described.

**DESCRIPTION**

FIG. 1 is a front elevational view of an aroma diffuser showing my new design;  
FIG. 2 is a rear elevational view thereof;  
FIG. 3 is a left side view thereof;  
FIG. 4 is a right side view thereof;  
FIG. 5 is a bottom plan view thereof;  
FIG. 6 is a top plan view thereof;  
FIG. 7 is a top perspective view thereof; and,  
FIG. 8 is a bottom perspective view thereof.  
The broken lines in the drawings illustrate portions of the aroma diffuser which form no part of the claimed design.

**1 Claim, 8 Drawing Sheets**



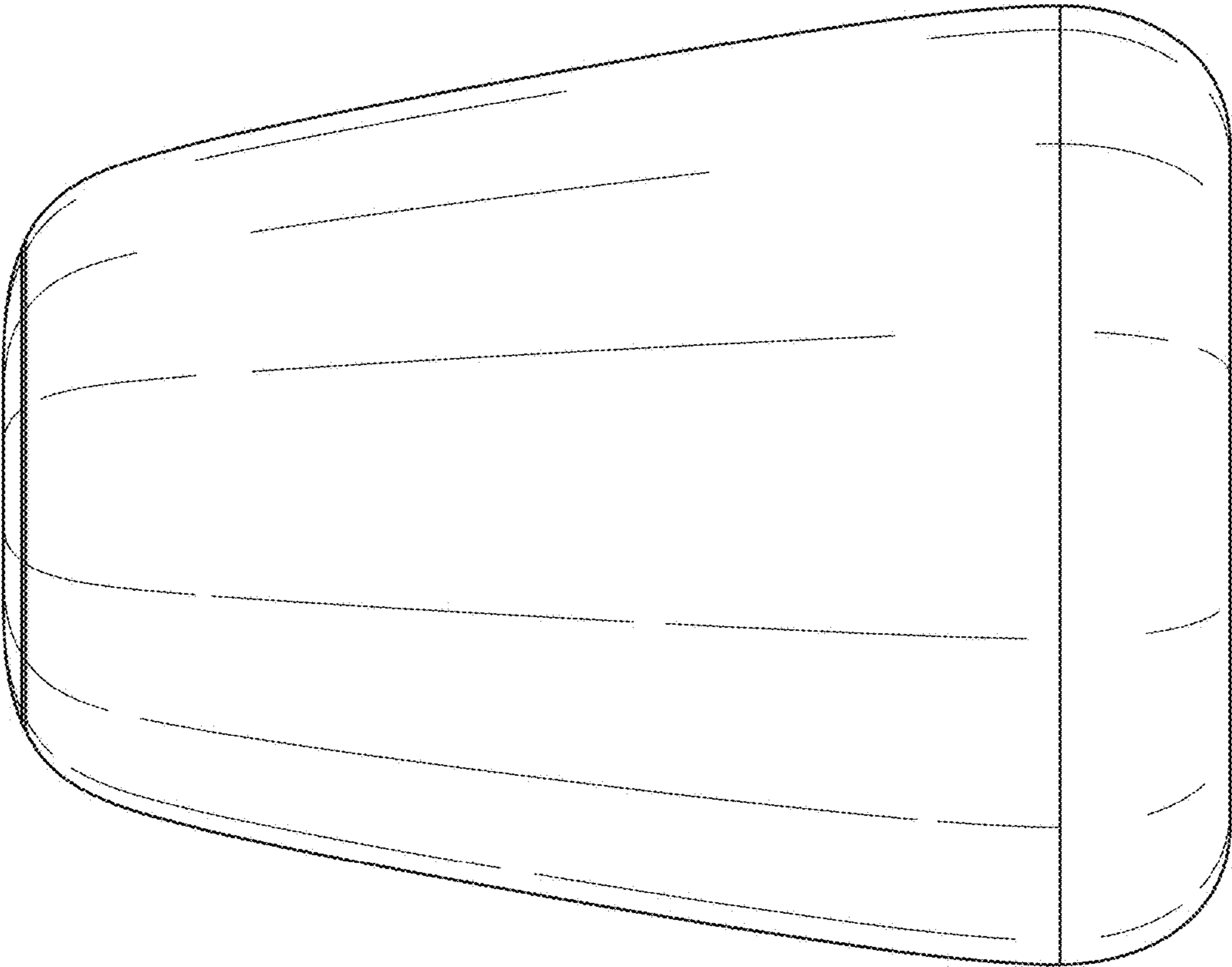


Fig. 1

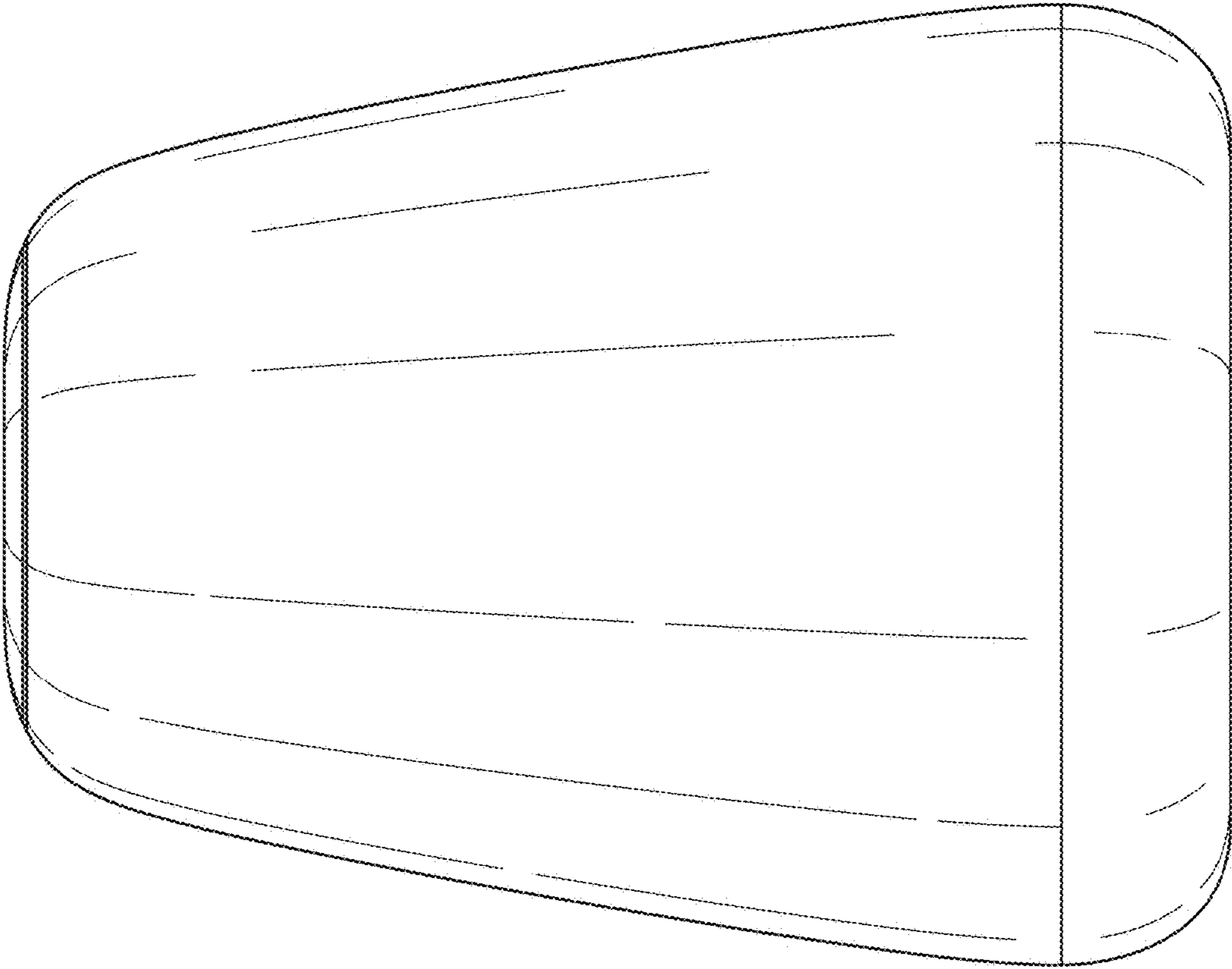


Fig. 2

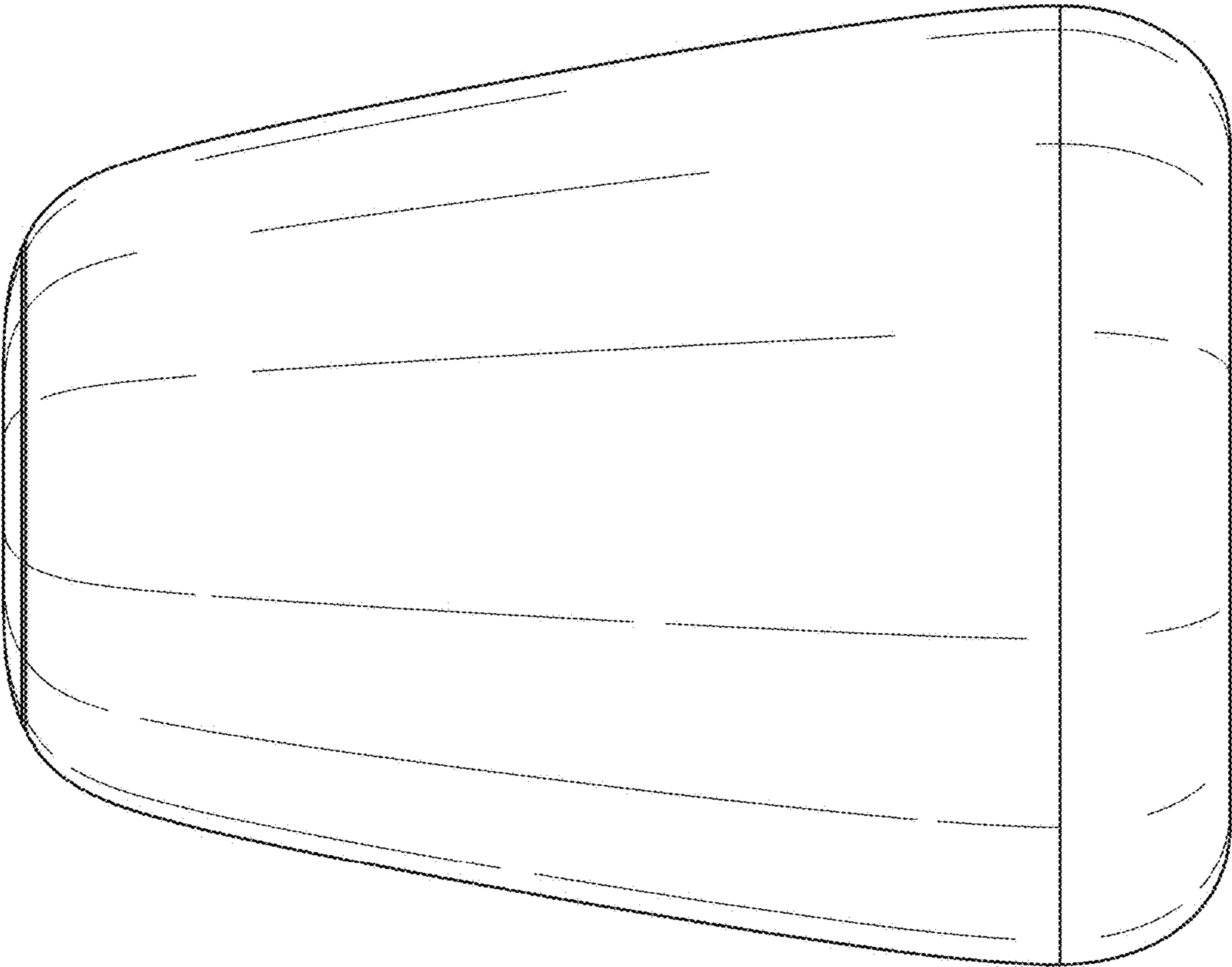


Fig. 3

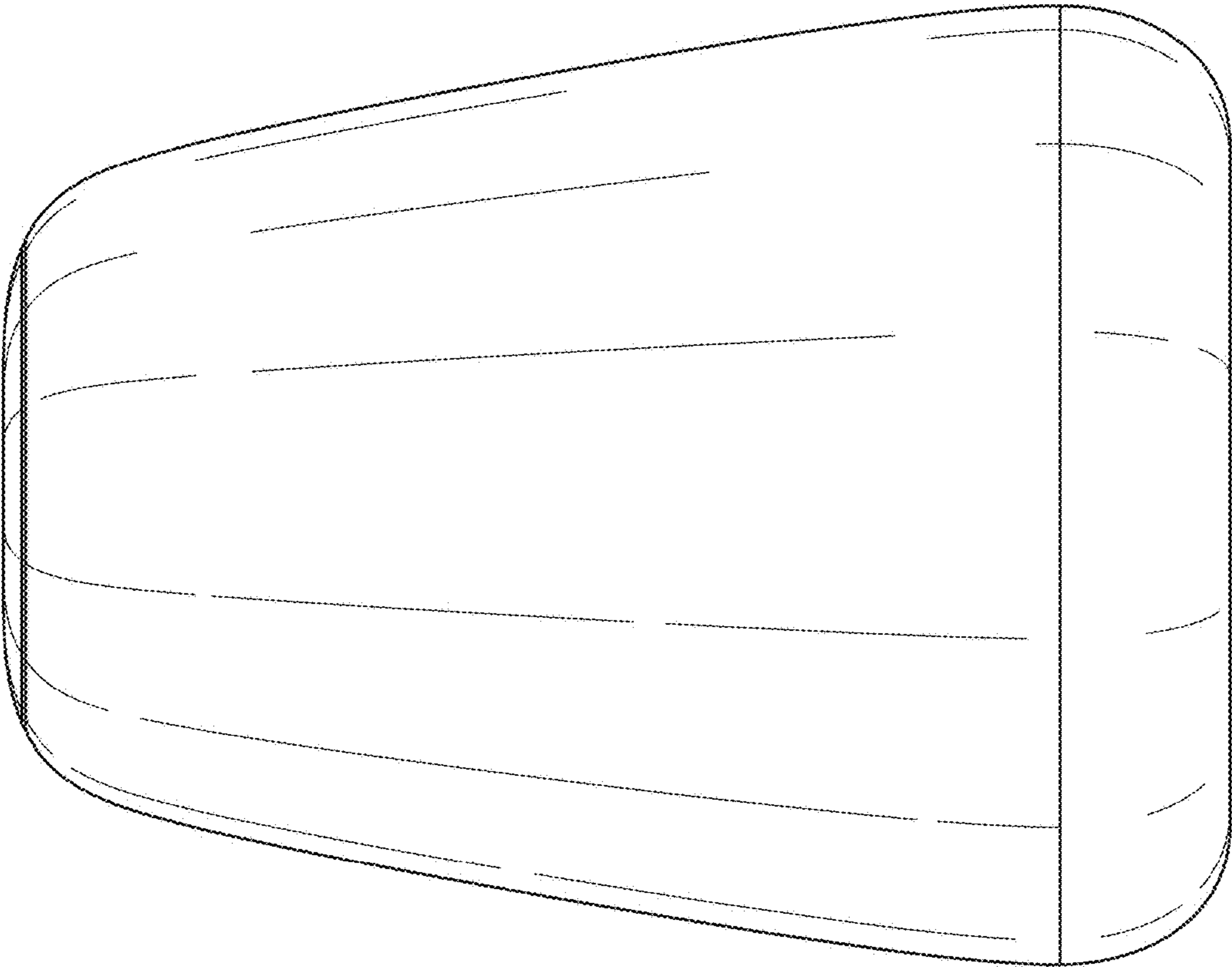


Fig. 4

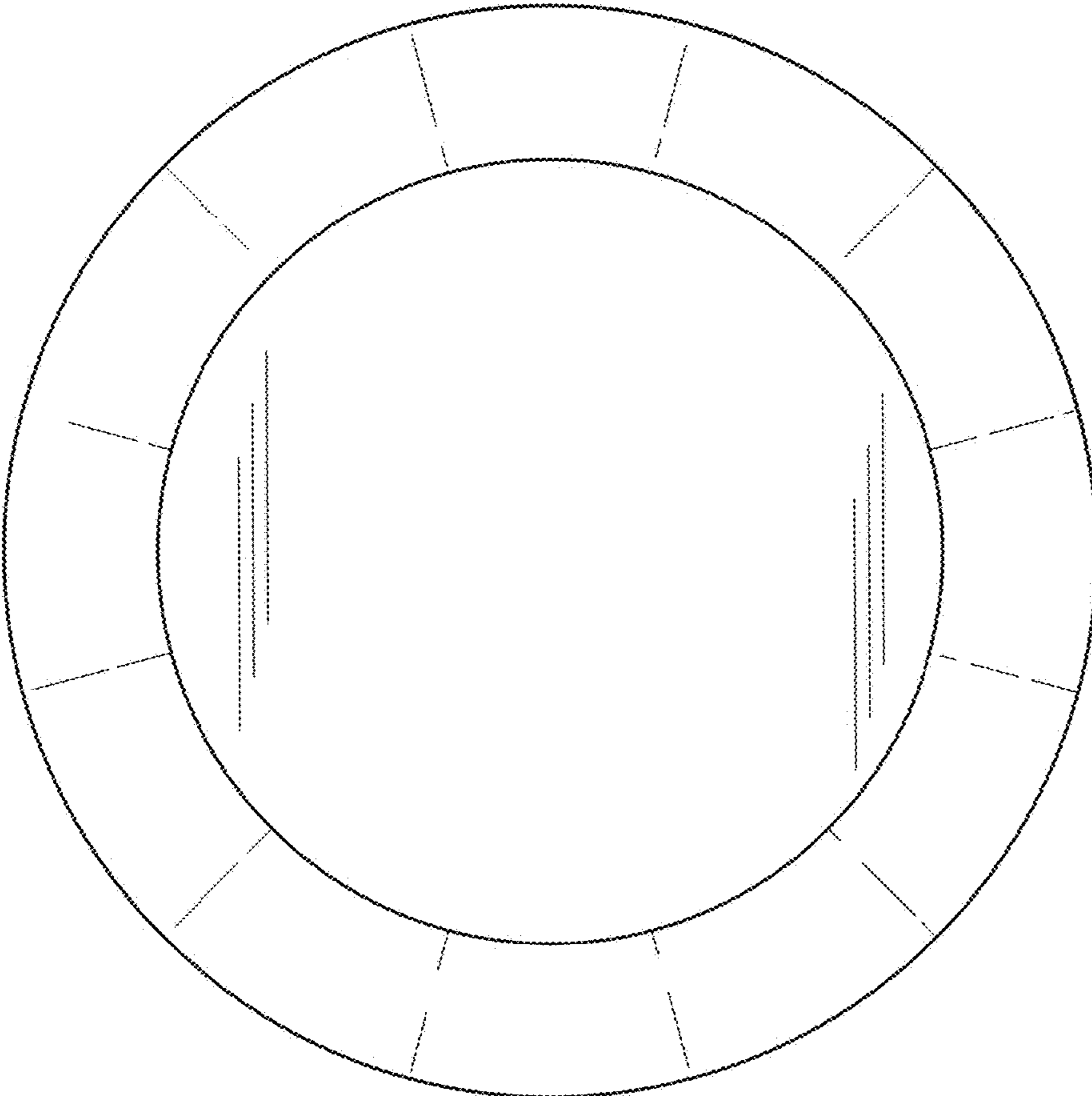


Fig. 5

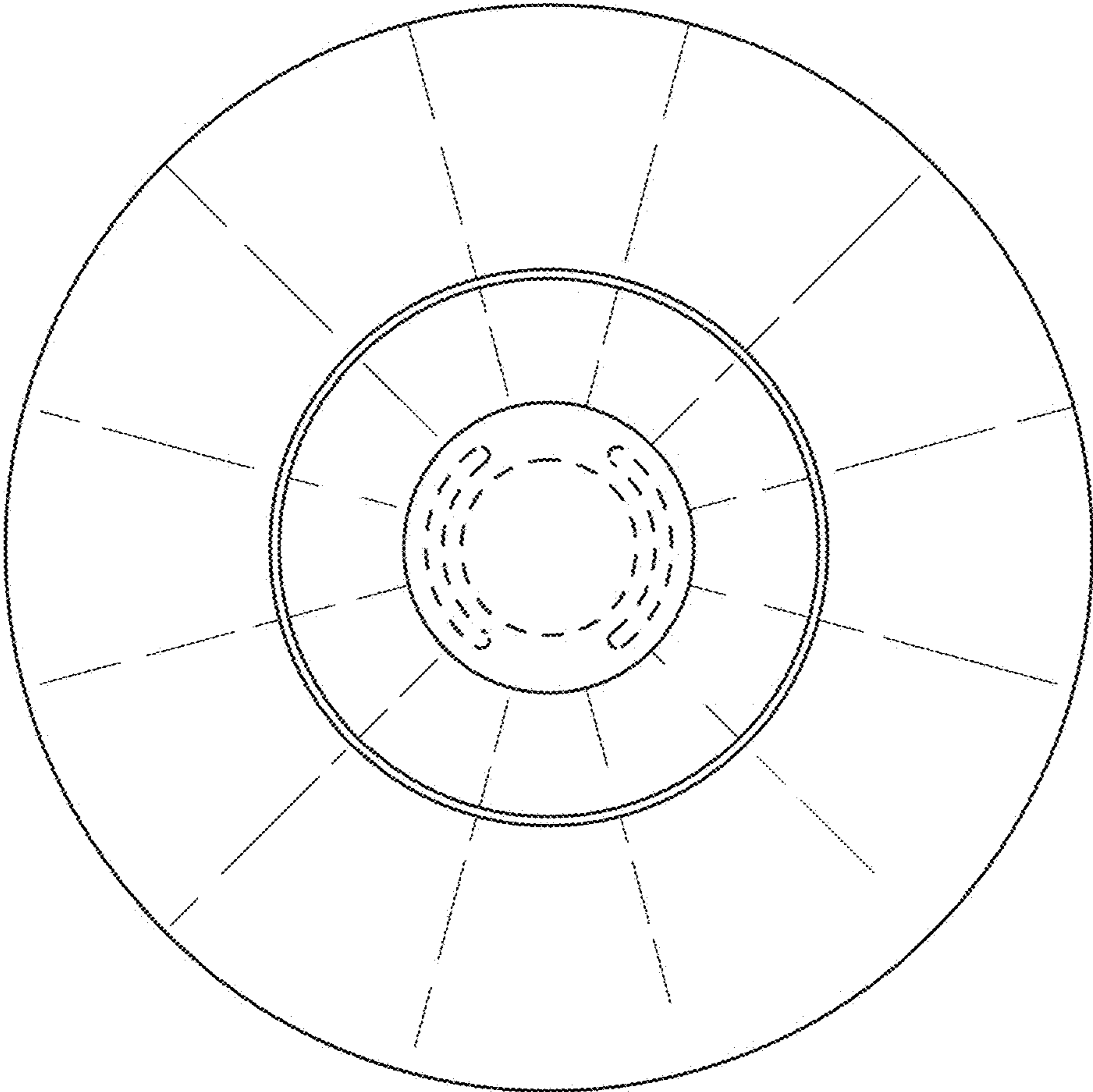


Fig. 6

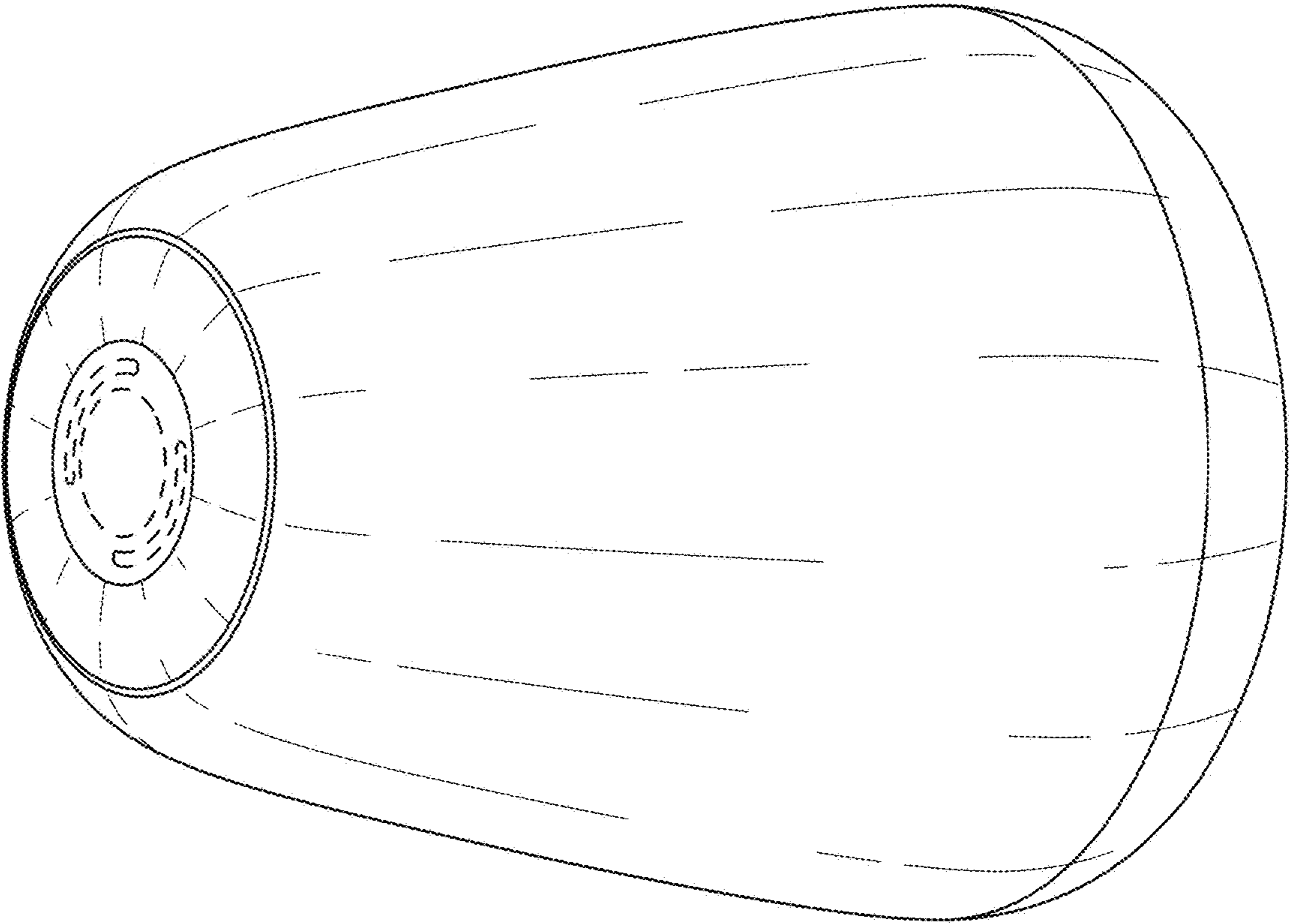


Fig. 7



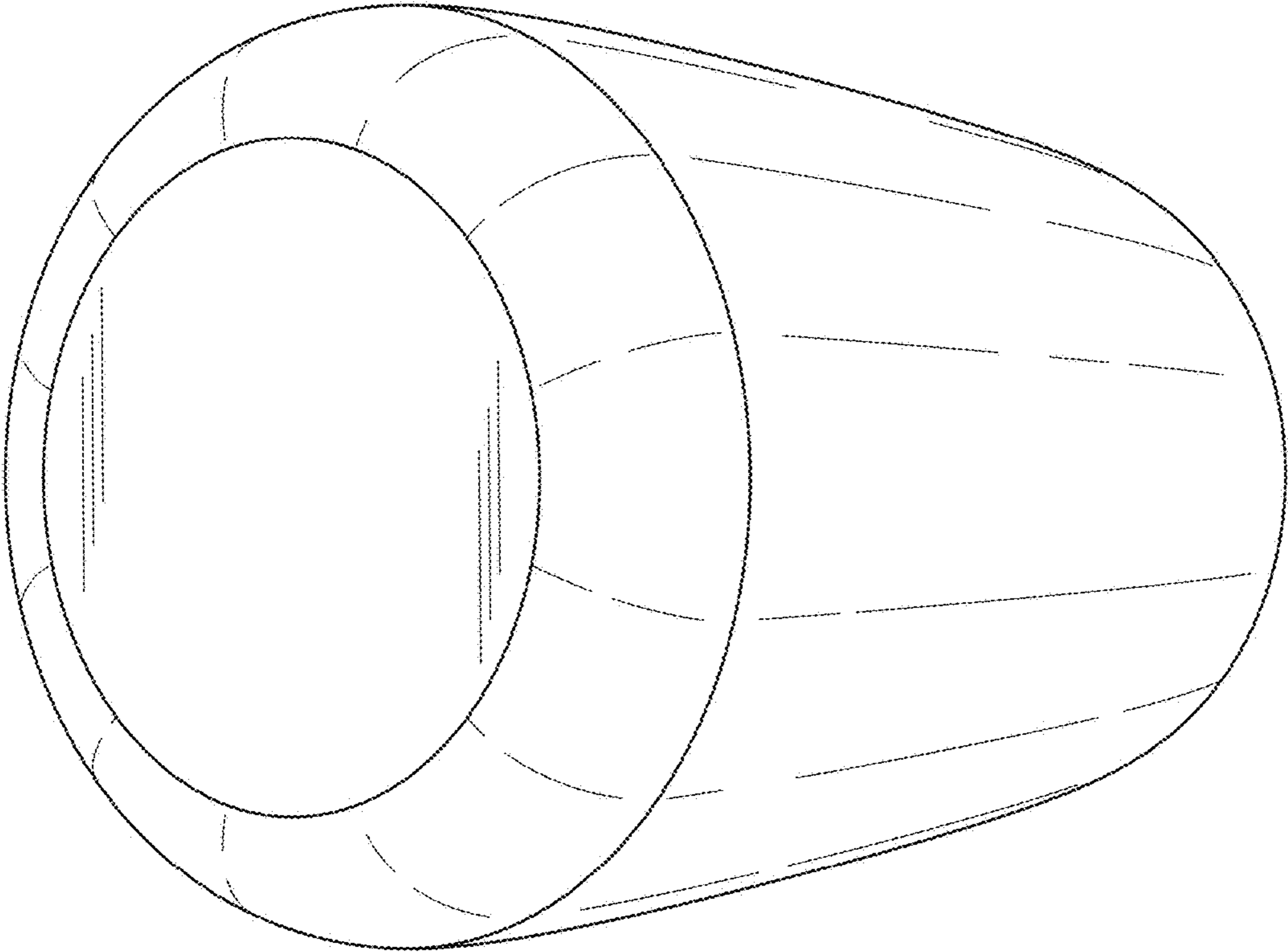


Fig. 8