



US00D926302S

(12) **United States Design Patent**
Lee

(10) **Patent No.:** **US D926,302 S**
(45) **Date of Patent:** **** Jul. 27, 2021**

- (54) **AIR IONIZER**
- (71) Applicant: **MAKE GREAT SALES LIMITED,**
Wanchai (HK)
- (72) Inventor: **Kin Choi Lee,** Wanchai (HK)
- (73) Assignee: **MAKE GREAT SALES LIMITED,**
Hong Kong (HK)
- (**) Term: **15 Years**
- (21) Appl. No.: **29/732,474**
- (22) Filed: **Apr. 24, 2020**
- (51) **LOC (13) Cl.** **23-04**
- (52) **U.S. Cl.**
USPC **D23/364**
- (58) **Field of Classification Search**
USPC D23/355, 356, 357, 364, 366; D13/110,
D13/118, 184
CPC . A61L 9/03; A61L 9/012; A61L 9/015; A61L
9/037; A61L 9/14; A61L 9/122; F41J
1/01
See application file for complete search history.

D437,038 S *	1/2001	Chuan	D23/364
D495,409 S *	8/2004	Ke	D23/355
D516,691 S *	3/2006	Caserta	D23/366
D733,860 S *	7/2015	Konno	D23/366
D788,898 S *	6/2017	Shin	D23/364
D825,046 S *	8/2018	Eurich	D23/355
2016/0106876 A1 *	4/2016	Jih	B01D 47/024 261/32

* cited by examiner

Primary Examiner — Derrick E Holland

(74) *Attorney, Agent, or Firm* — Onello & Mello, LLP

(57) **CLAIM**

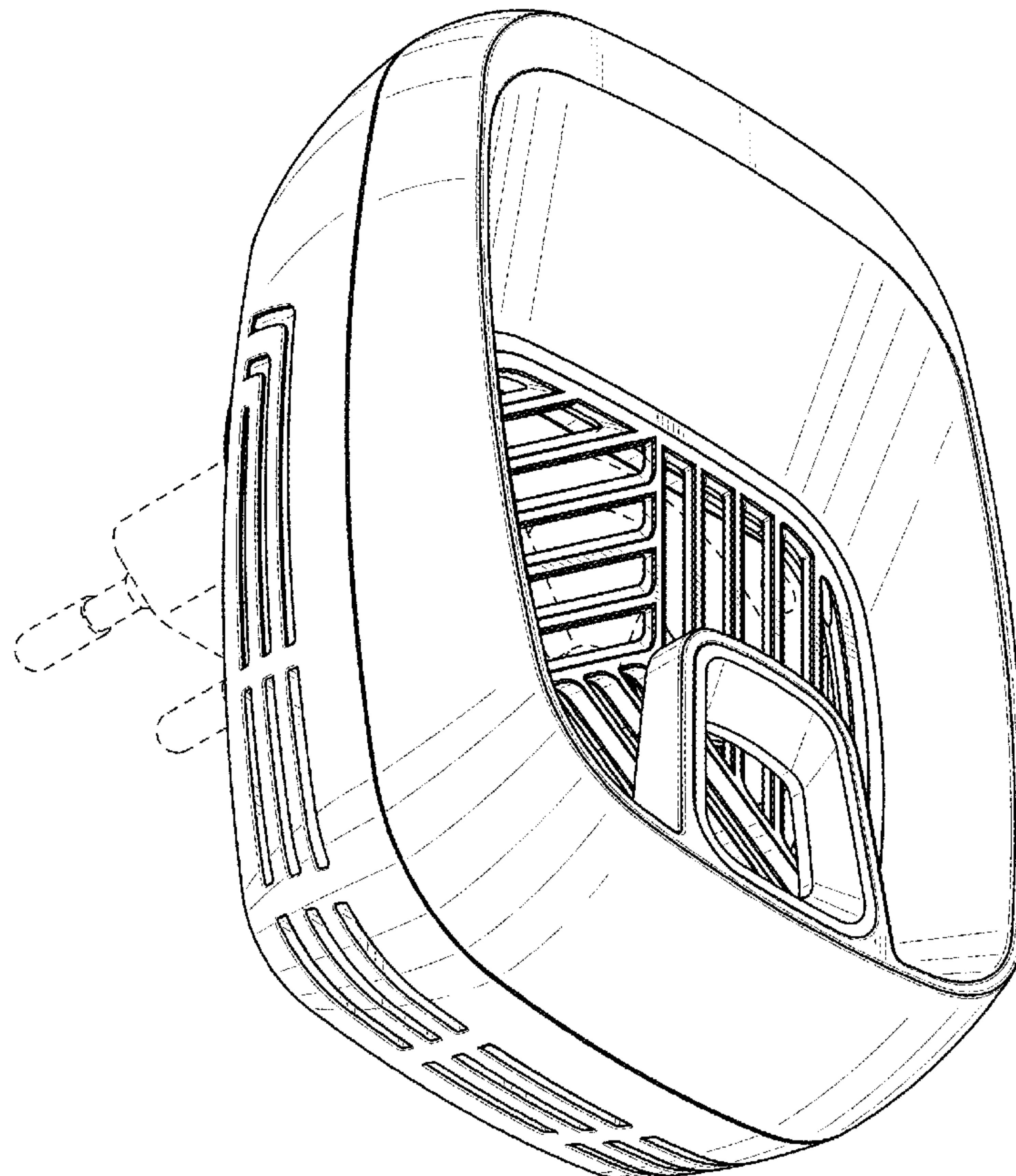
The ornamental design for an air ionizer, as shown and described.

DESCRIPTION

FIG. 1 is an isometric view of an air ionizer, in accordance with the design;
 FIG. 2 is front view of an air ionizer of FIG. 1;
 FIG. 3 is a rear view of the air ionizer of FIG. 1;
 FIG. 4 is a left-side view of the air ionizer of FIG. 1;
 FIG. 5 is a right-side view of the air ionizer of FIG. 1;
 FIG. 6 is a top view of the air ionizer of FIG. 1; and,
 FIG. 7 is a bottom view of the air ionizer of FIG. 1.
 The broken lines shown represent the portions of the air ionizer that form no part of the claimed design

1 Claim, 7 Drawing Sheets

- (56) **References Cited**
U.S. PATENT DOCUMENTS
D326,512 S * 5/1992 Bianco D23/355
D374,278 S * 10/1996 Ganor D23/364



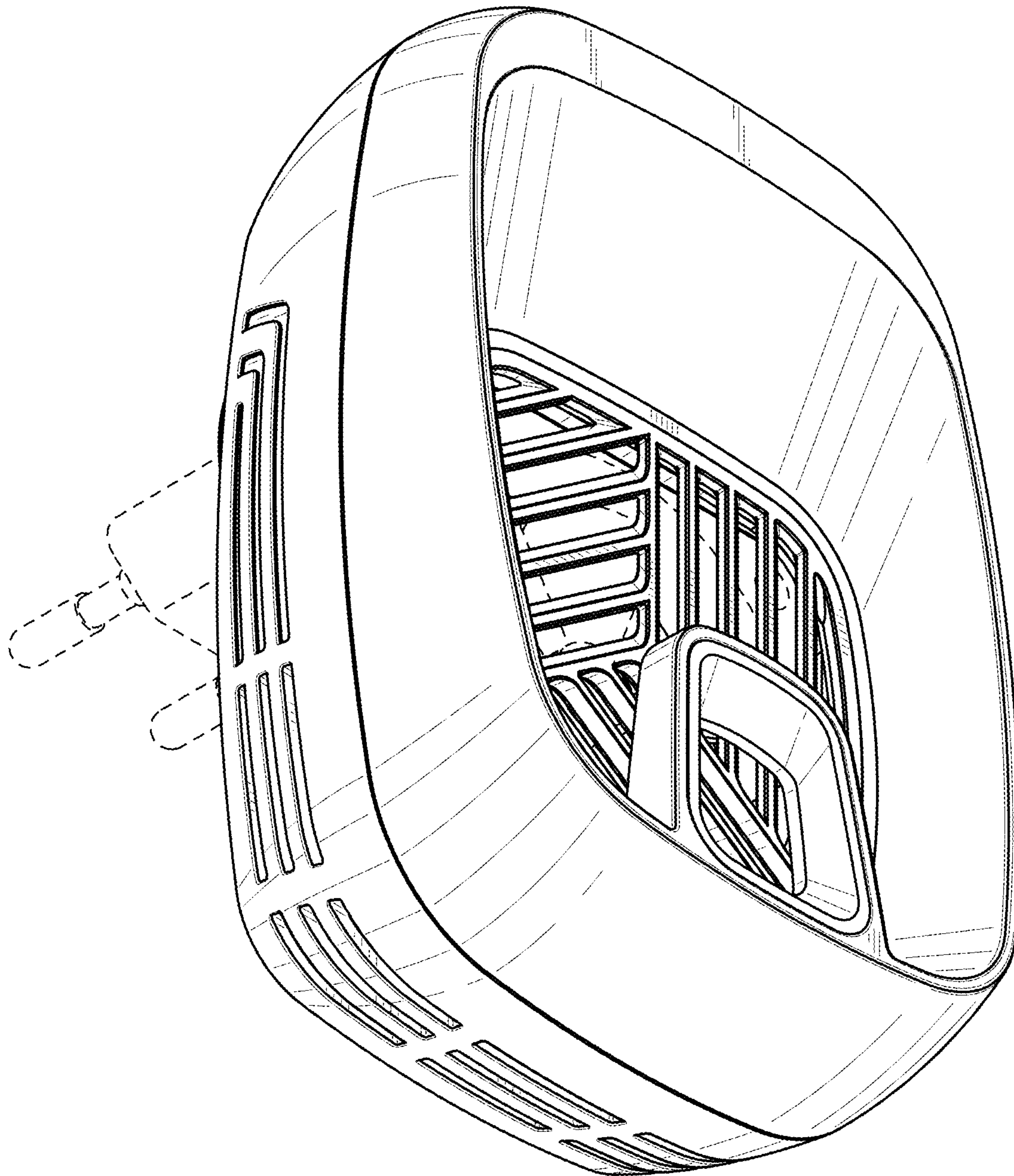


FIG. 1

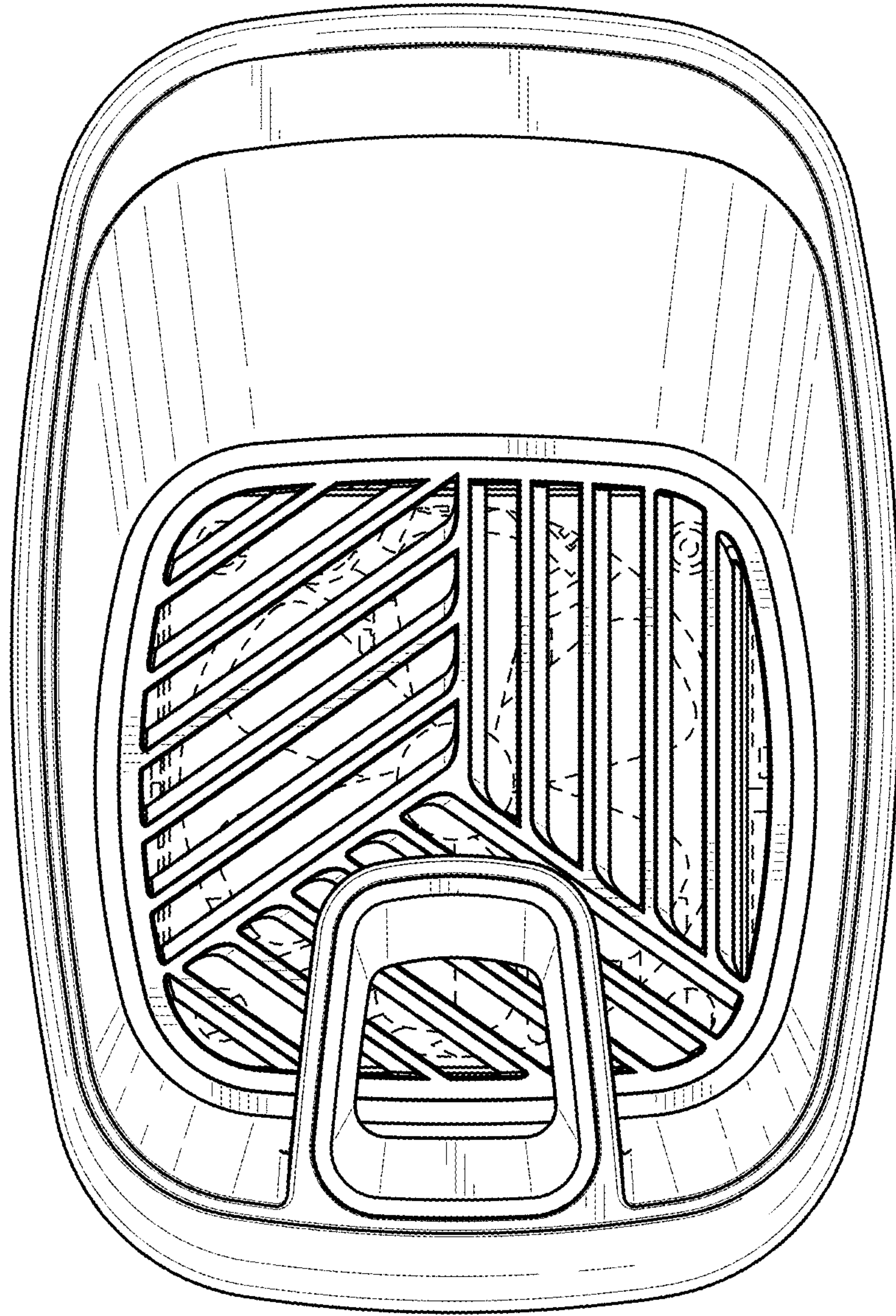


FIG. 2

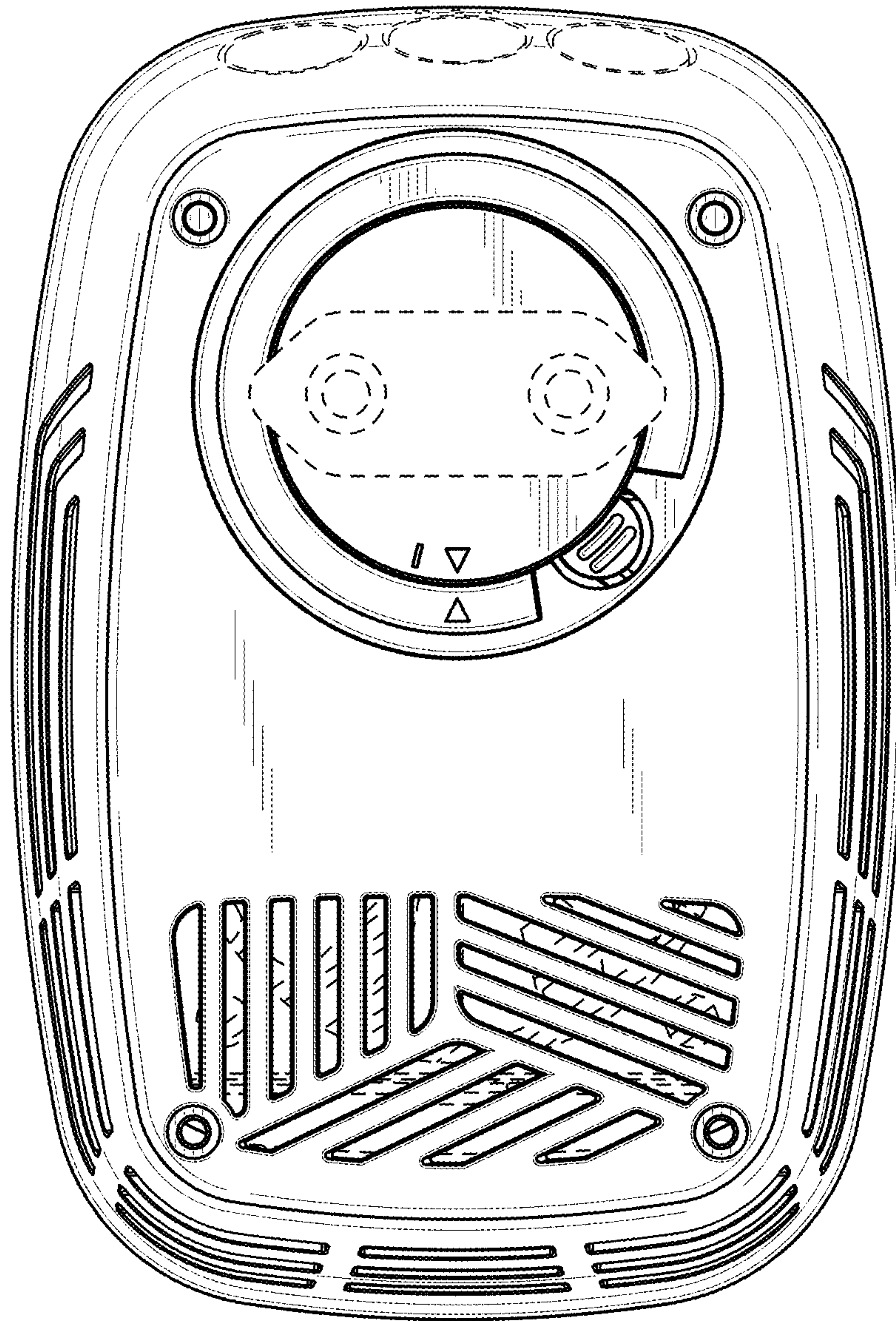


FIG. 3

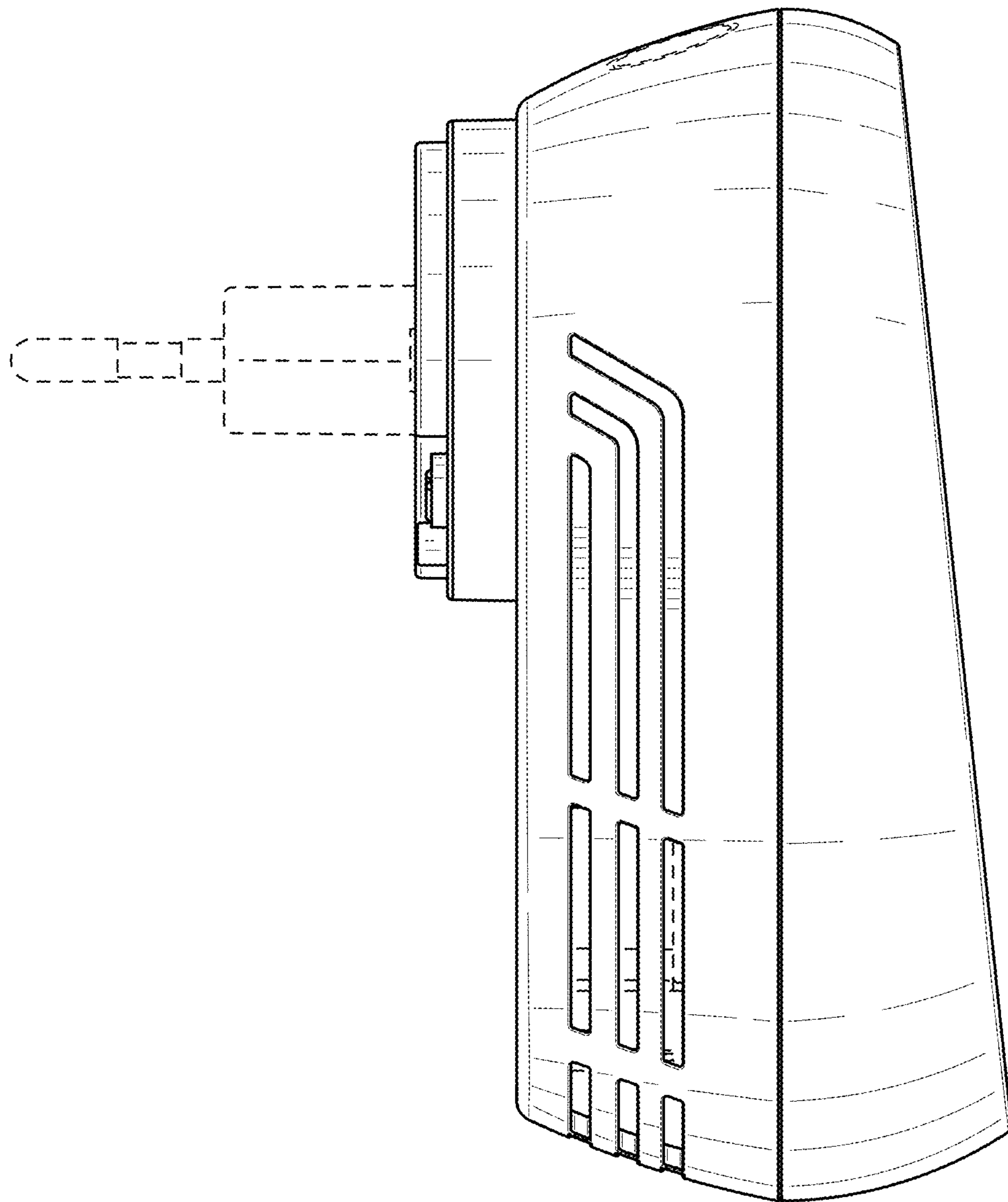


FIG. 4

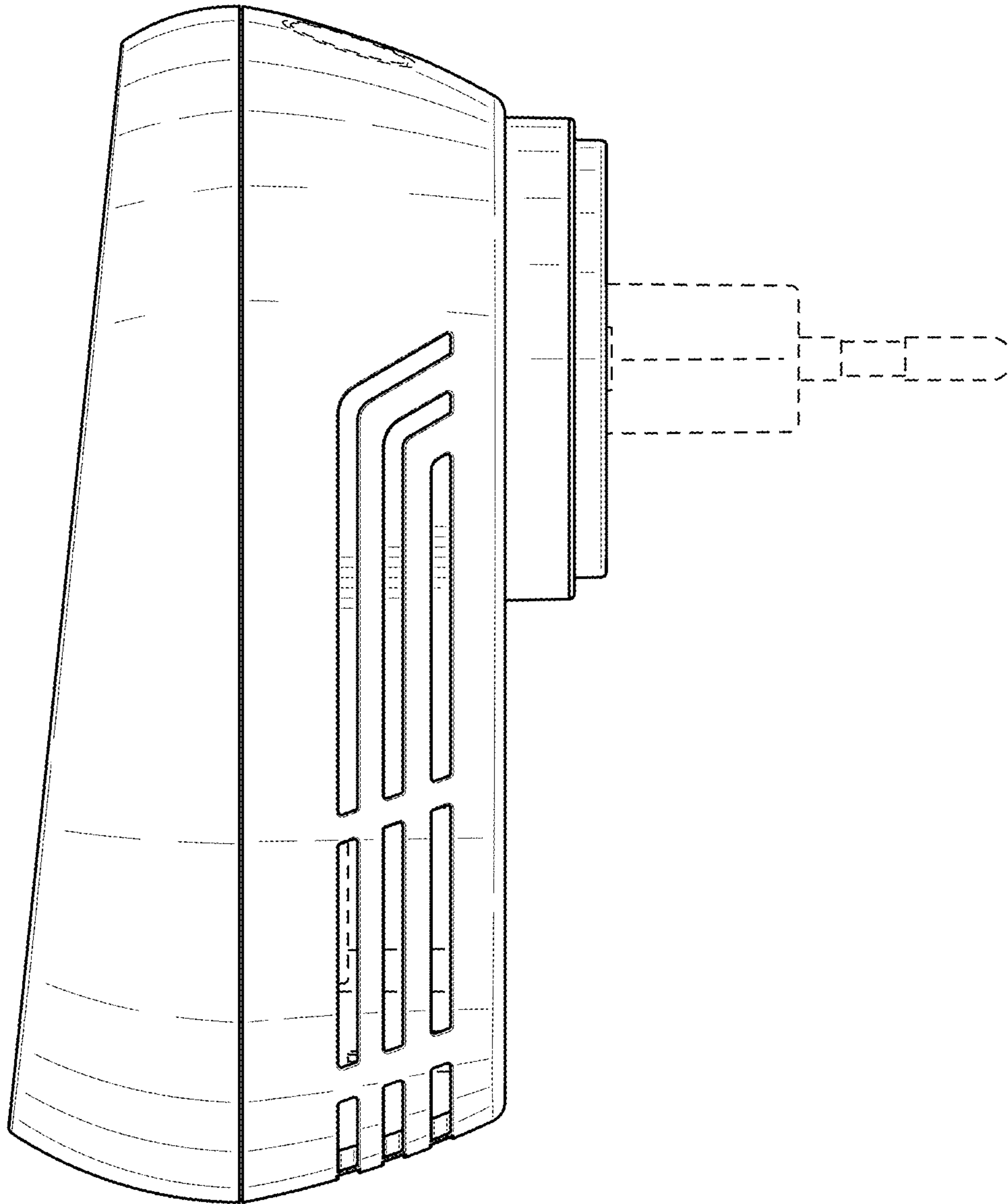


FIG. 5

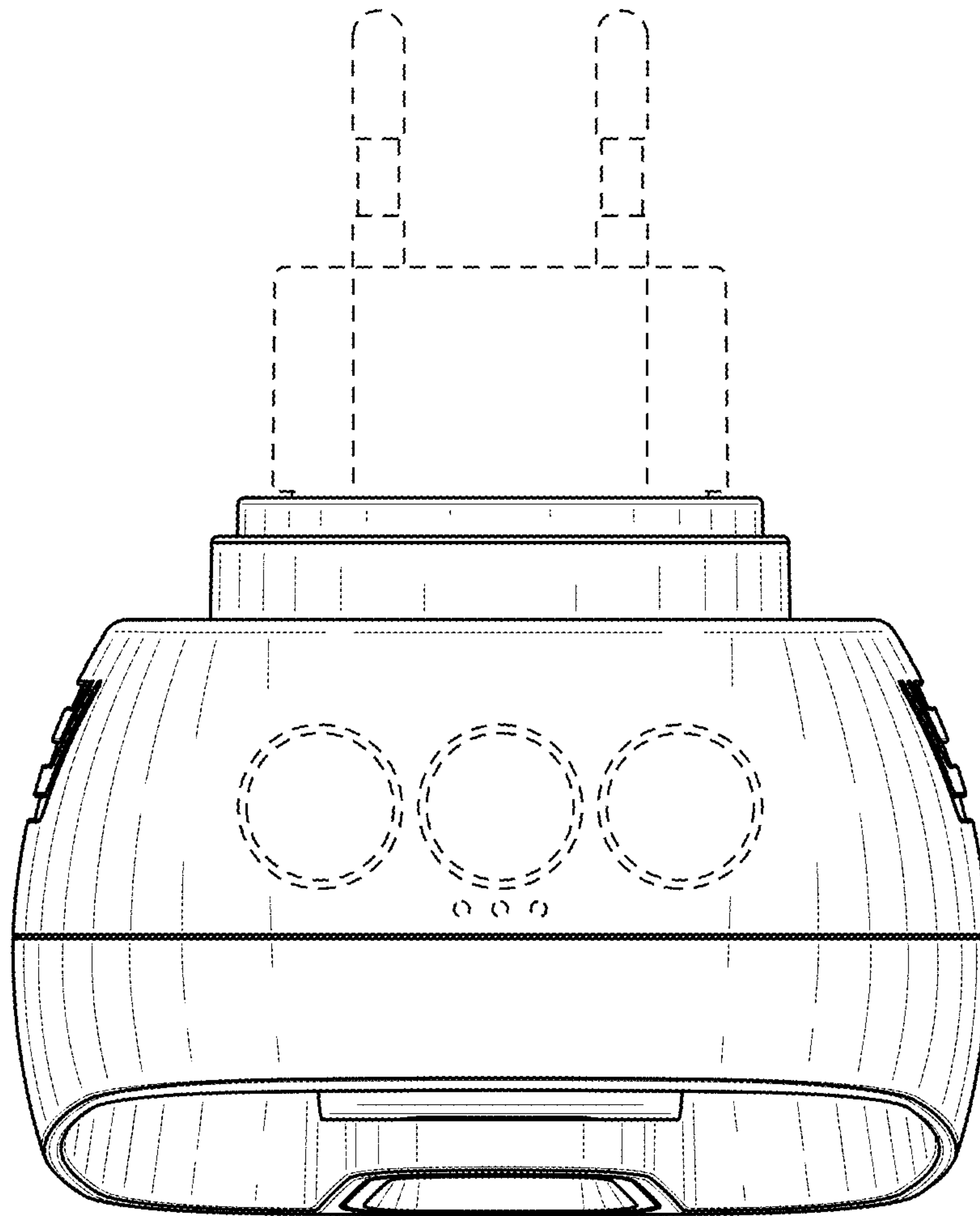


FIG. 6

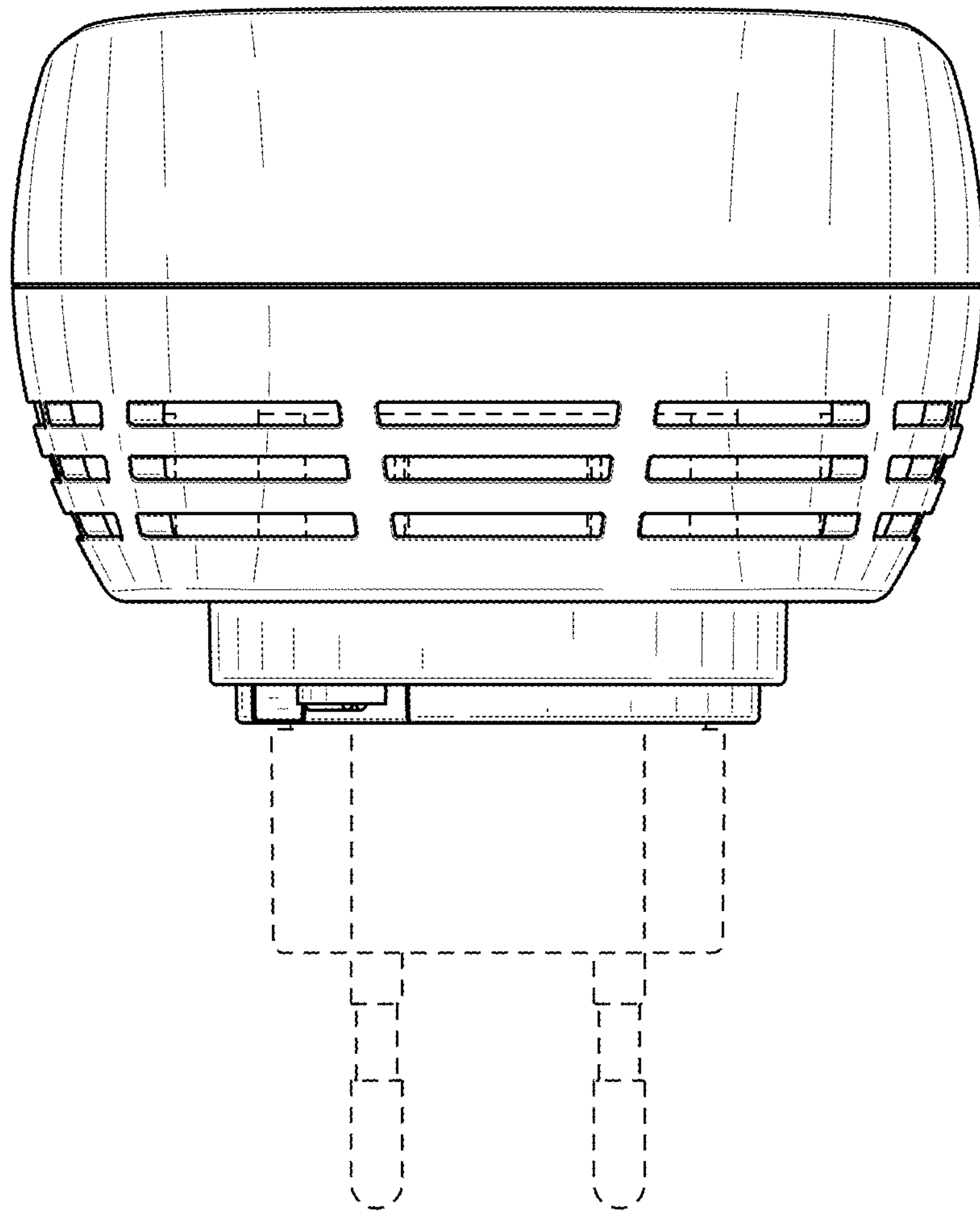


FIG. 7