



US00D926299S

(12) **United States Design Patent** (10) **Patent No.:** **US D926,299 S**  
**Piasio** (45) **Date of Patent:** **\*\* Jul. 27, 2021**

- (54) **HEATER**
- (71) Applicant: **Better Living with Air & More Inc.**,  
Holmes, NY (US)
- (72) Inventor: **Paul A. Piasio**, Holmes, NY (US)
- (73) Assignee: **BETTER LIVING WITH AIR &  
MORE INC.**, Holmes, NY (US)
- (\*\*) Term: **15 Years**
- (21) Appl. No.: **29/709,771**
- (22) Filed: **Oct. 17, 2019**
- (51) **LOC (13) Cl.** ..... **23-03**
- (52) **U.S. Cl.**  
USPC ..... **D23/335**
- (58) **Field of Classification Search**  
USPC ..... D23/314, 317, 318, 319, 320, 321, 322,  
D23/323, 329, 330, 331, 332, 334, 335,  
D23/333, 336, 337, 338, 339, 340, 341,  
D23/342, 370, 378, 411, 412, 356, 358,  
D23/359, 363, 328.351, 369, 351  
CPC ..... F24H 3/00; F24H 3/0411; F24H 3/0417;  
F24H 9/0063; F24H 9/0073; F24H 9/02;  
F24H 3/082; F24H 9/2071; F24H 3/002;  
F24H 3/02; F24H 3/04; F04D 17/04;  
F04D 25/08; F04D 25/10; F04D 5/00;  
H05B 3/008  
See application file for complete search history.

(56) **References Cited**

**U.S. PATENT DOCUMENTS**

D518,160 S *	3/2006	Normark	.....	D23/366
D548,315 S *	8/2007	Lin	.....	D23/364
D567,346 S *	4/2008	Lin	.....	D23/317
D600,336 S *	9/2009	Lin	.....	D23/317
D614,274 S *	4/2010	Lin	.....	D23/317
D622,834 S *	8/2010	Jiang	.....	D23/317

D654,158 S *	2/2012	Chen	.....	D23/317
D654,159 S *	2/2012	Chen	.....	D23/317
8,247,742 B2 *	8/2012	Searle	.....	F24H 3/0411 219/408
D680,636 S *	4/2013	Ching	.....	D23/356
D739,927 S *	9/2015	Presser	.....	D23/332
9,671,129 B1 *	6/2017	Lu	.....	F24H 3/0411
D833,591 S *	11/2018	Zhu	.....	D23/332
D900,986 S *	11/2020	Chan	.....	D23/335
2006/0110141 A1 *	5/2006	Burkett	.....	F24H 3/0405 392/375
2009/0095819 A1 *	4/2009	Brown	.....	F24H 3/0417 237/81
2010/0254686 A1 *	10/2010	Tyburk	.....	F24H 9/0063 392/373
2011/0026907 A1 *	2/2011	Lin	.....	F24H 3/002 392/347
2011/0100971 A1 *	5/2011	Searle	.....	F24H 3/0411 219/210

(Continued)

*Primary Examiner* — Ania Aman

(74) *Attorney, Agent, or Firm* — Cooper Legal Group,  
LLC; Ronald M. Kachmarik

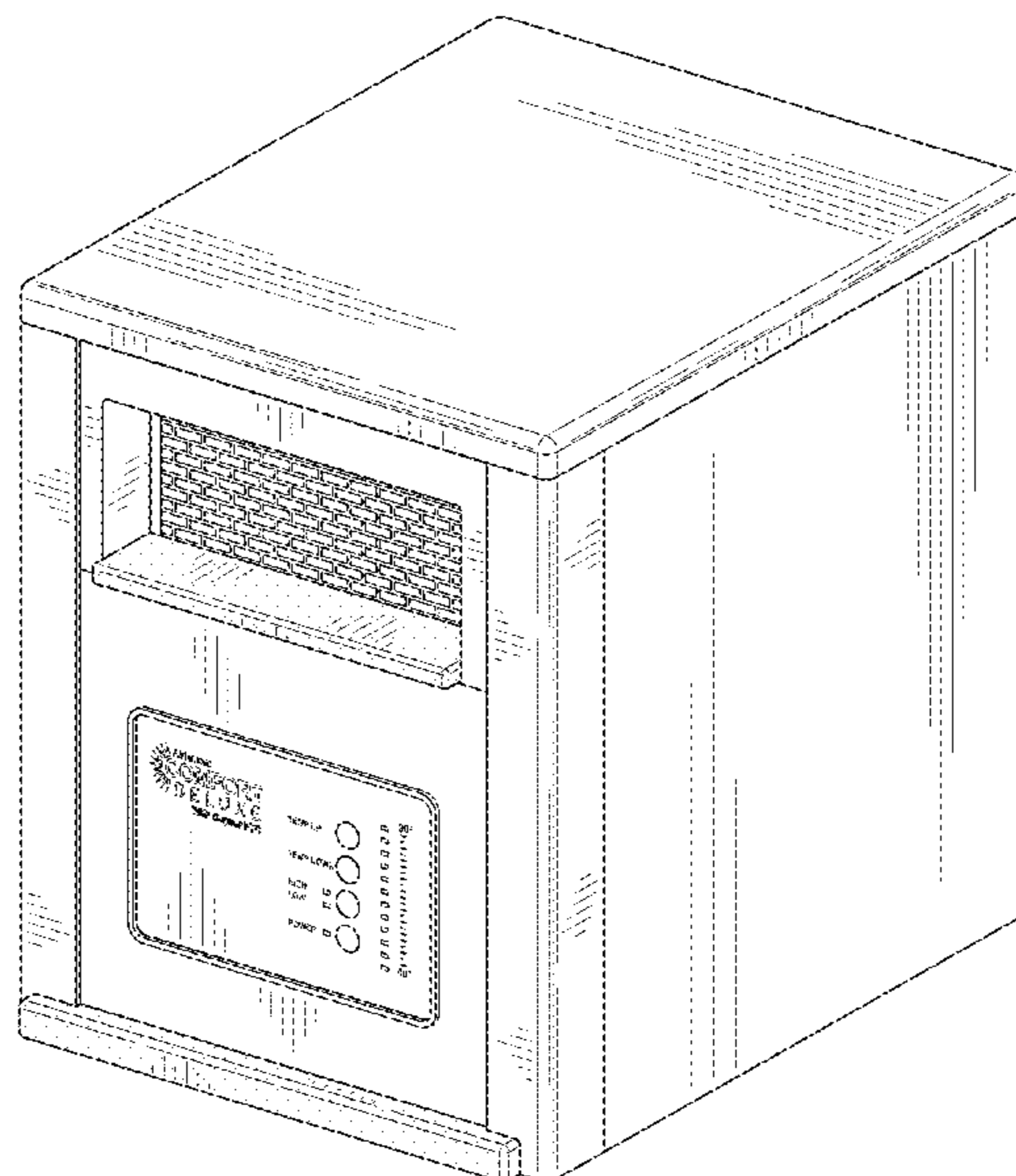
(57) **CLAIM**

The ornamental design for a heater, as shown and described.

**DESCRIPTION**

FIG. 1 is a perspective view of a heater, showing the new design;  
 FIG. 2 is a front view thereof;  
 FIG. 3 is a rear view thereof;  
 FIG. 4 is a first side view thereof;  
 FIG. 5 is a second side view thereof;  
 FIG. 6 is a top view thereof;  
 FIG. 7 is a bottom view thereof; and,  
 FIG. 8 is another perspective view.  
 The broken lines shown in the drawings are for the purpose of illustrating portions of the article and form no part of the claimed design.

**1 Claim, 8 Drawing Sheets**



(56)

**References Cited**

U.S. PATENT DOCUMENTS

2012/0308214 A1\* 12/2012 Tyburk ..... F24F 13/20  
392/407  
2015/0139629 A1\* 5/2015 Crowe ..... F24H 9/02  
392/373  
2015/0168012 A1\* 6/2015 Amberson ..... F24H 3/0411  
392/377  
2015/0276269 A1\* 10/2015 Paolini ..... F24H 3/022  
392/365  
2017/0363320 A1\* 12/2017 Crowe ..... F24H 3/062

\* cited by examiner

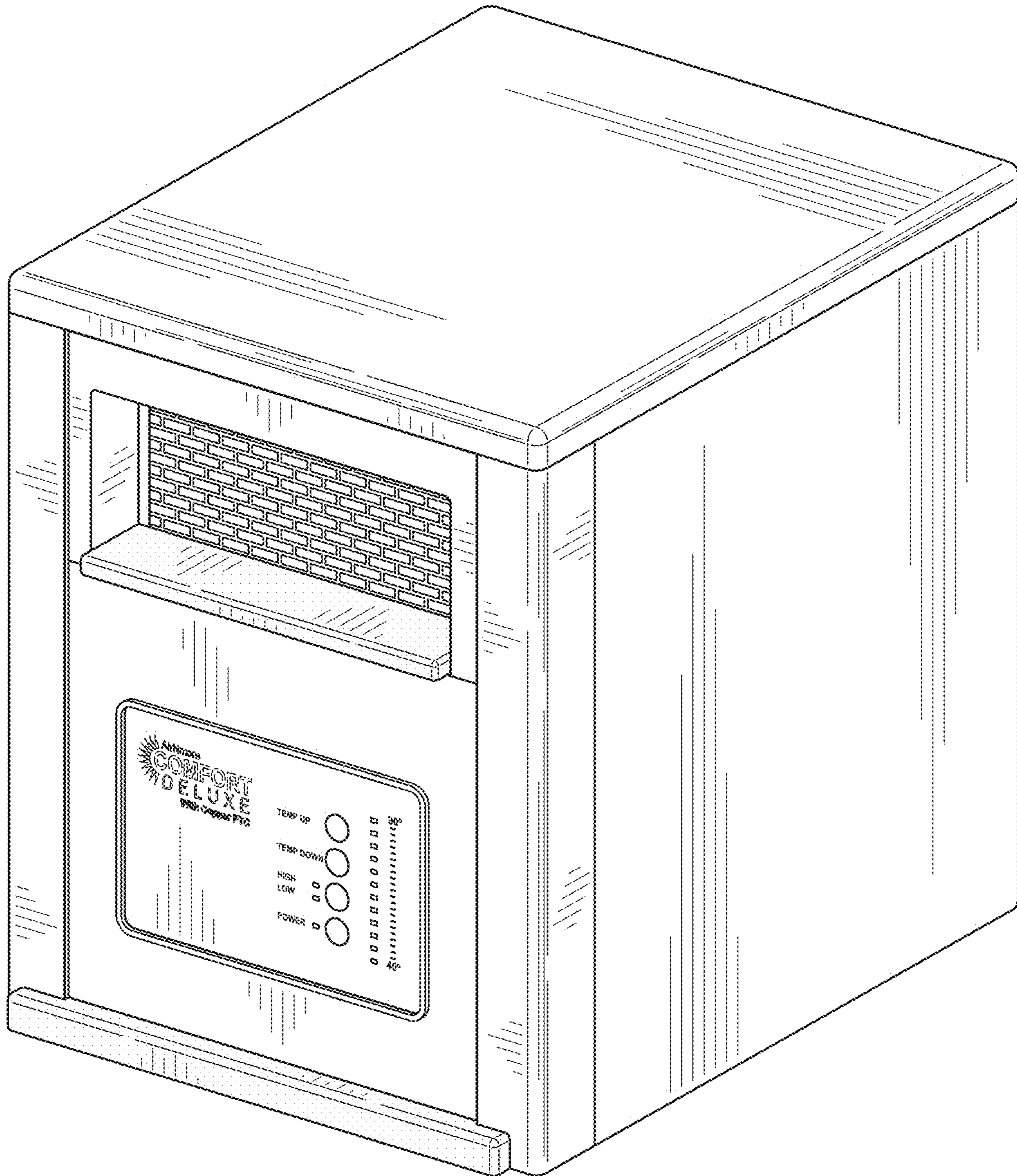


FIG. 1

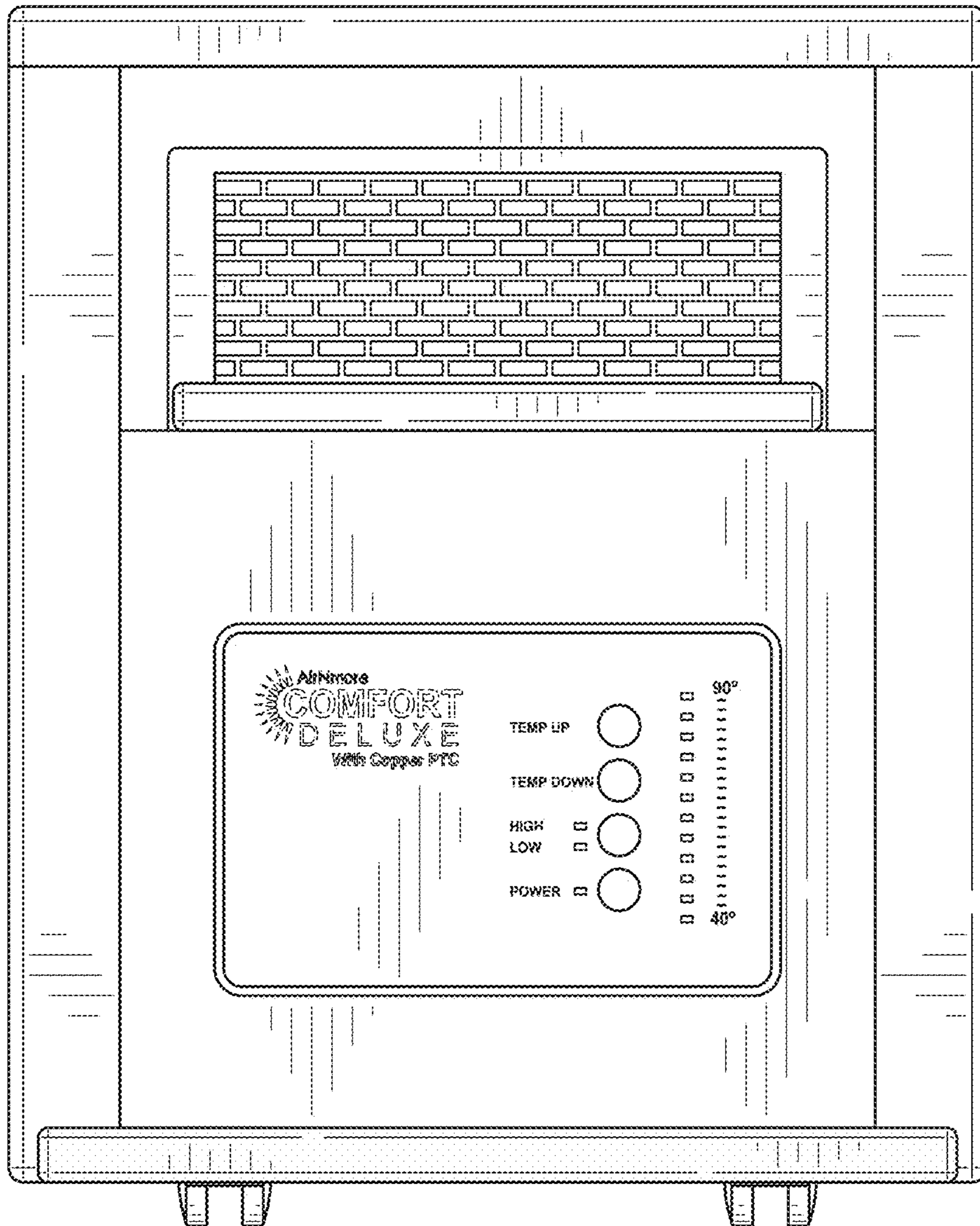


FIG. 2

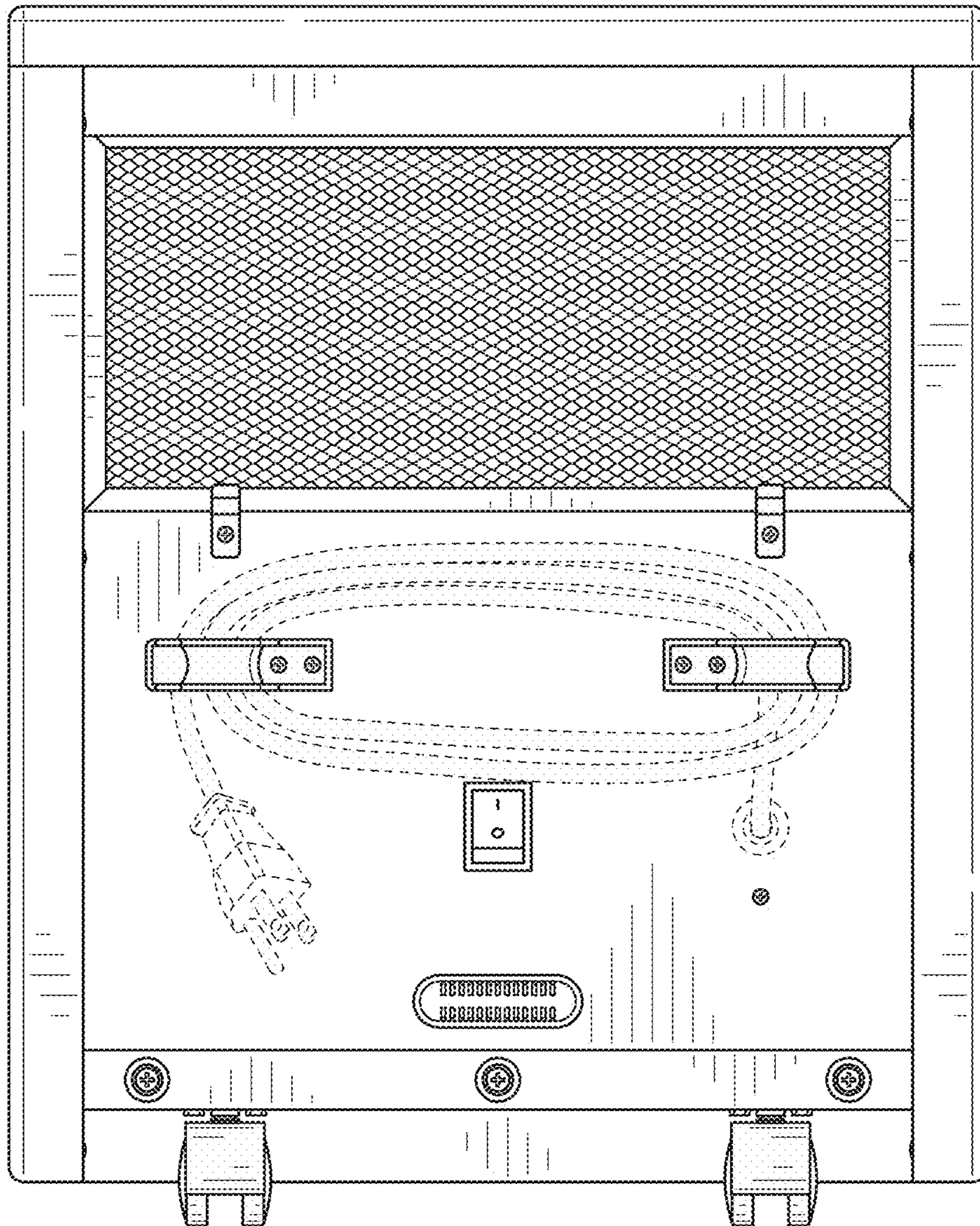


FIG. 3

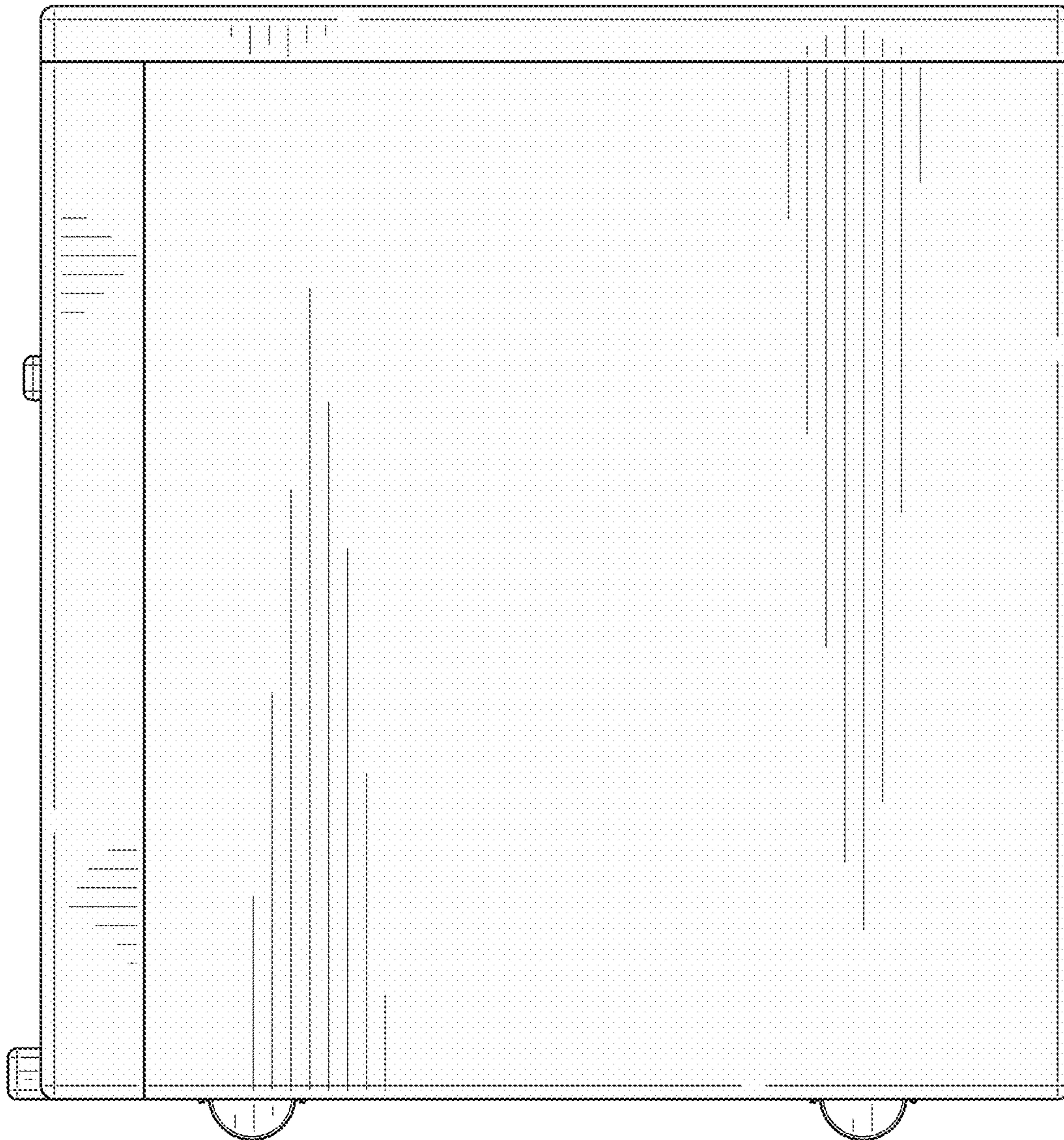


FIG. 4

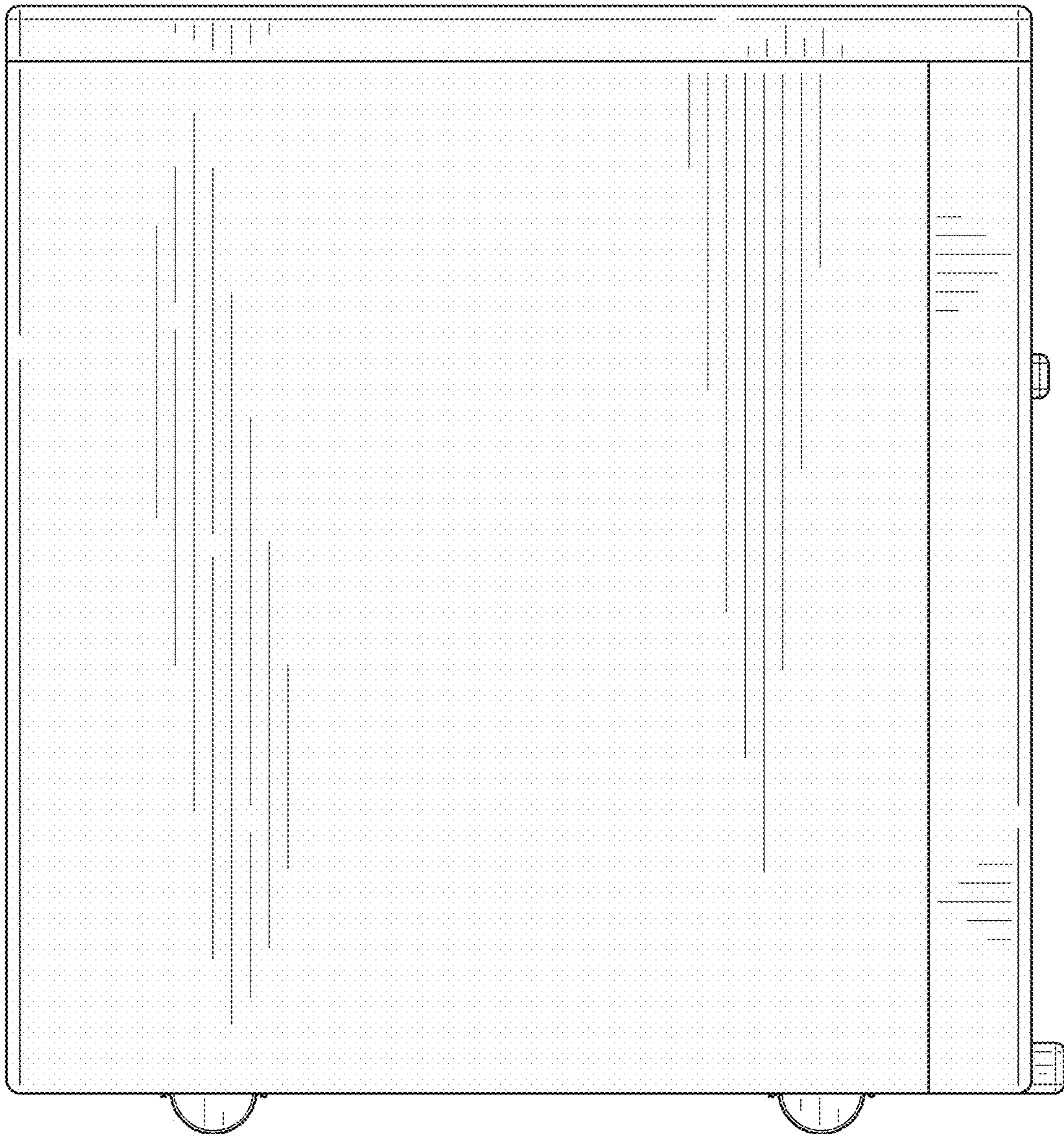


FIG. 5



FIG. 6



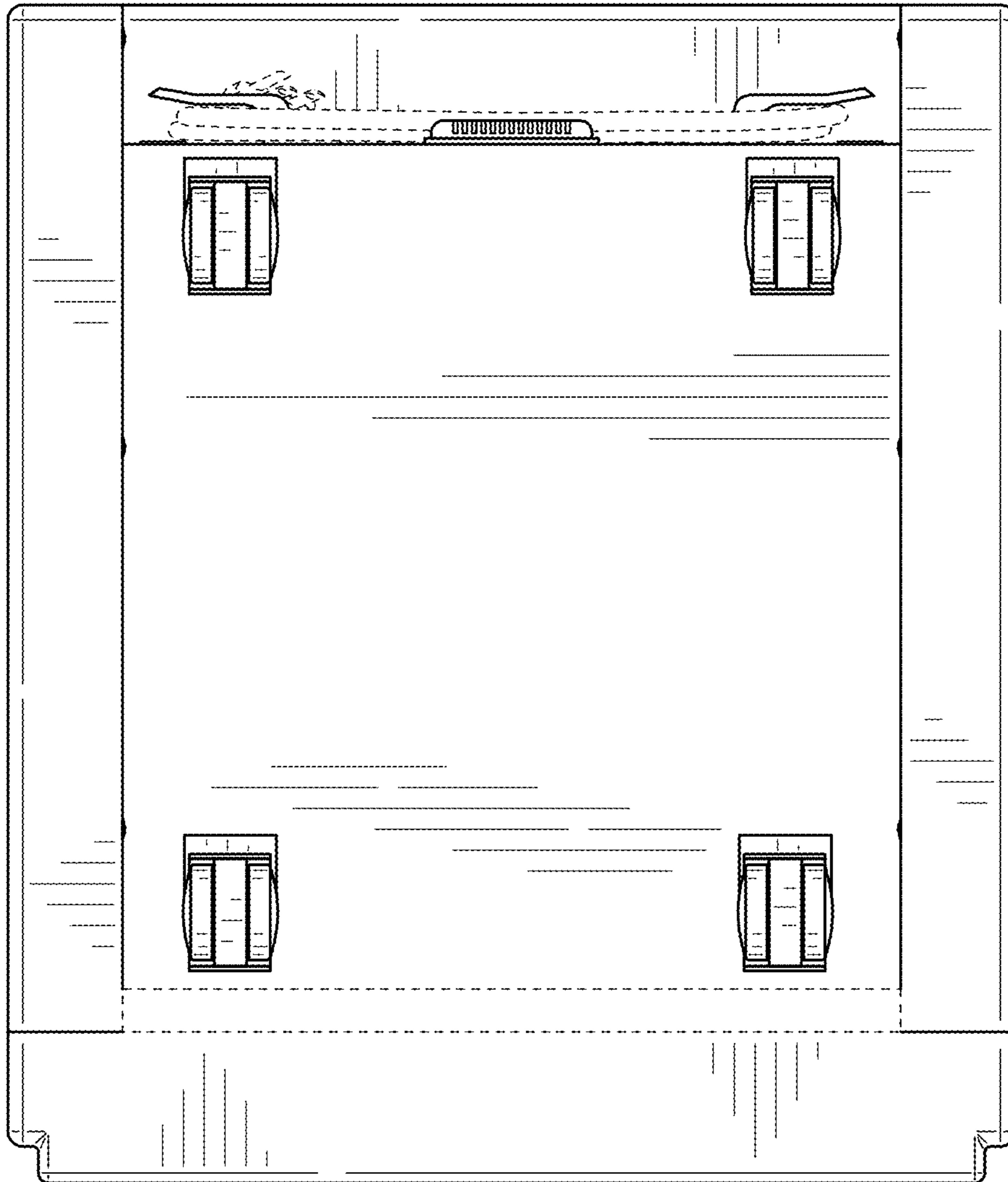


FIG. 7

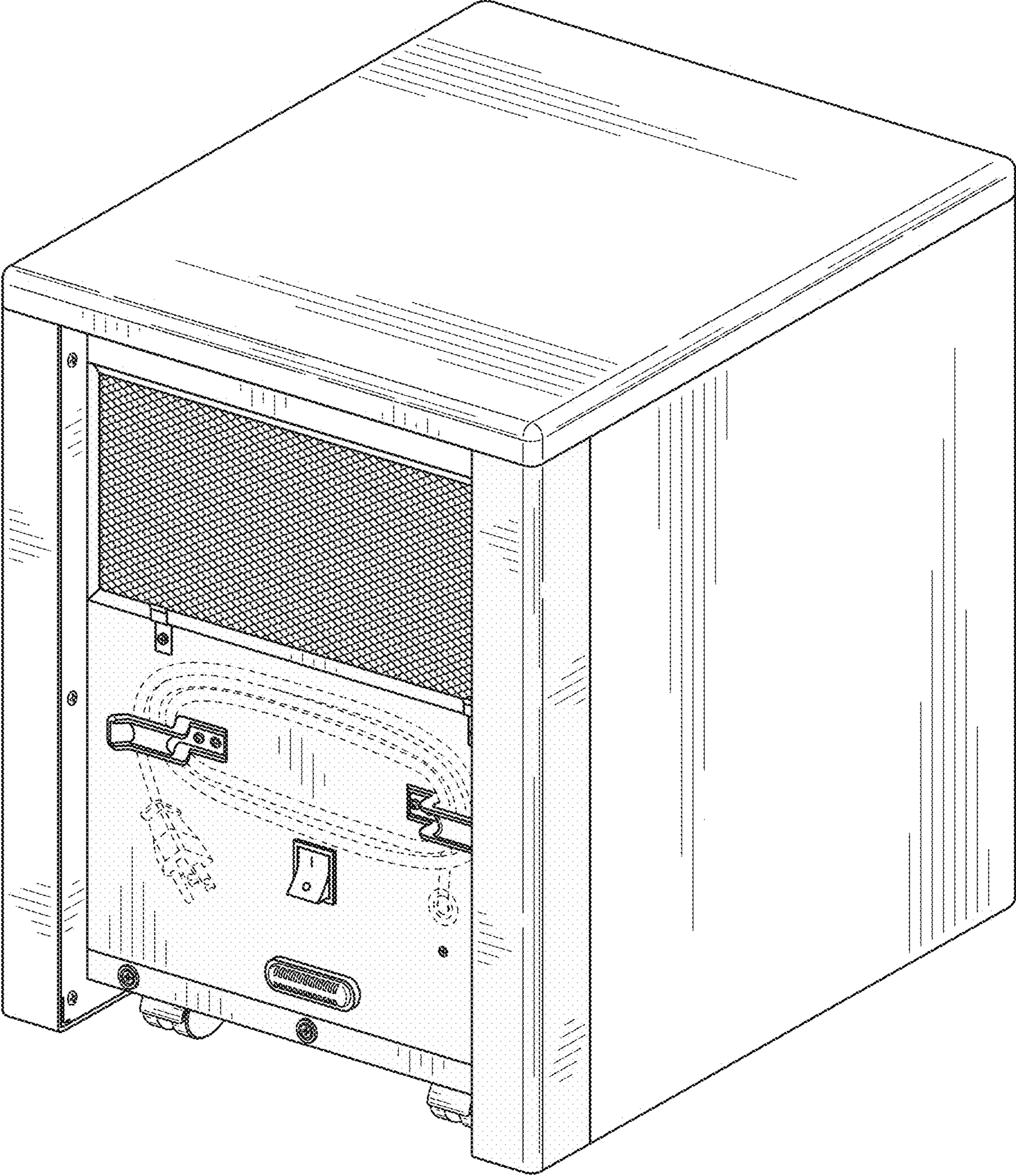


FIG. 8