



US00D926296S

(12) **United States Design Patent** (10) **Patent No.:** **US D926,296 S**  
**Kury et al.** (45) **Date of Patent:** **\*\* Jul. 27, 2021**

(54) **WATER HOSE NOZZLES**

D834,679 S \* 11/2018 Garcia, Jr. .... D22/108  
D845,448 S \* 4/2019 Tanghetti ..... D23/262  
D892,271 S \* 8/2020 Urry ..... D23/223

(71) Applicant: **Neoperl GmbH**, Müllheim (DE)

(Continued)

(72) Inventors: **Werner Kury**, Müllheim (DE); **Daniel Oechsle**, Müllheim (DE); **Holger Reinhardt**, March-Buchheim (DE); **Jürgen Höppner**, Müllheim (DE)

*Primary Examiner* — Natasha Vujcic

(74) *Attorney, Agent, or Firm* — Volpe Koenig

(73) Assignee: **Neoperl GmbH**, Müllheim (DE)

(57) **CLAIM**

The ornamental design for water hose nozzles, as shown and described.

(\*\*) Term: **15 Years**

**DESCRIPTION**

(21) Appl. No.: **35/508,614**

(22) Filed: **Jan. 20, 2020**

4.-6. Water hose nozzles

(80) **Hague Agreement Data**

Int. Filing Date: **Jan. 20, 2020**  
Int. Reg. No.: **DM/205873**  
Int. Reg. Date: **Jan. 20, 2020**  
Int. Reg. Pub. Date: **Feb. 14, 2020**

- 4.1 : Top
- 4.2 : Perspective
- 4.3 : Bottom
- 4.4 : Perspective
- 4.5 : Left
- 4.6 : Front
- 4.7 : Right
- 4.8 : Back
- 5.1 : Top
- 5.2 : Perspective
- 5.3 : Bottom
- 5.4 : Perspective
- 5.5 : Left
- 5.6 : Front
- 5.7 : Right
- 5.8 : Back
- 6.1 : Top
- 6.2 : Perspective
- 6.3 : Bottom
- 6.4 : Perspective
- 6.5 : Left
- 6.6 : Front
- 6.7 : Right
- 6.8 : Back

(51) **LOC (13) Cl.** ..... **23-01**

(52) **U.S. Cl.**  
USPC ..... **D23/262**

(58) **Field of Classification Search**  
USPC ..... D23/213, 226, 232-237, 259, 260,  
D23/262-267; D8/382, 396  
CPC ..... F16L 27/12; F16L 37/1225; F16L 5/02  
See application file for complete search history.

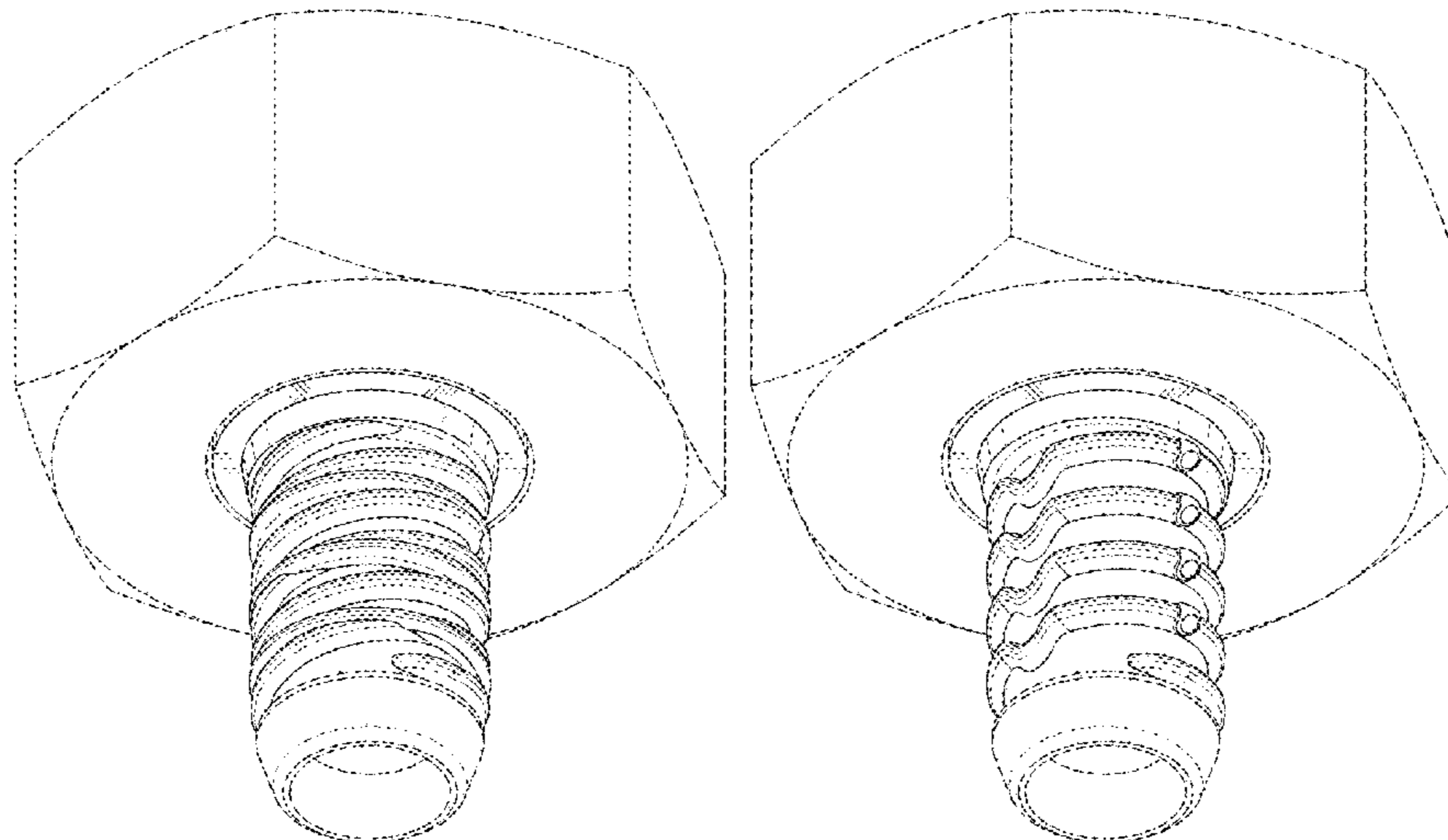
(56) **References Cited**

**U.S. PATENT DOCUMENTS**

D407,140 S \* 3/1999 Heren ..... D23/223  
D713,715 S \* 9/2014 Kury ..... D8/397  
D717,406 S \* 11/2014 Stanley ..... D23/259  
D739,493 S \* 9/2015 Wyne ..... D23/200  
D744,072 S \* 11/2015 Wildfang ..... D23/266  
D749,198 S \* 2/2016 von Lepel ..... D23/260  
D749,697 S \* 2/2016 Wojan ..... D23/223  
D762,825 S \* 8/2016 Walker ..... D23/259  
D787,027 S \* 5/2017 Wildfang ..... D23/266  
D790,044 S \* 6/2017 Li ..... D23/262

The broken lines represent portions of the water hose nozzles in which the design is embodied that form no part of the claimed design.

**1 Claim, 24 Drawing Sheets**



(56)

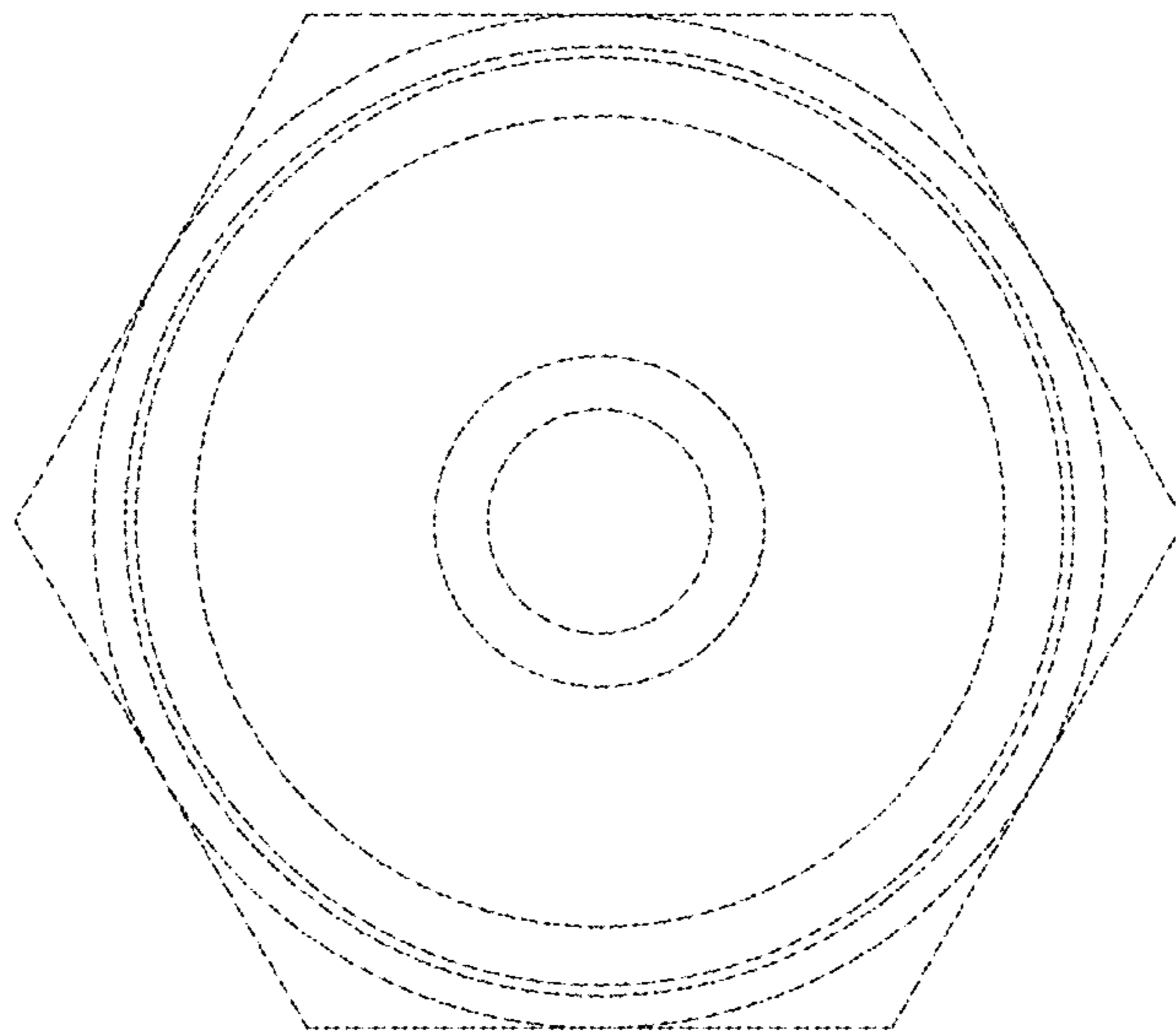
**References Cited**

U.S. PATENT DOCUMENTS

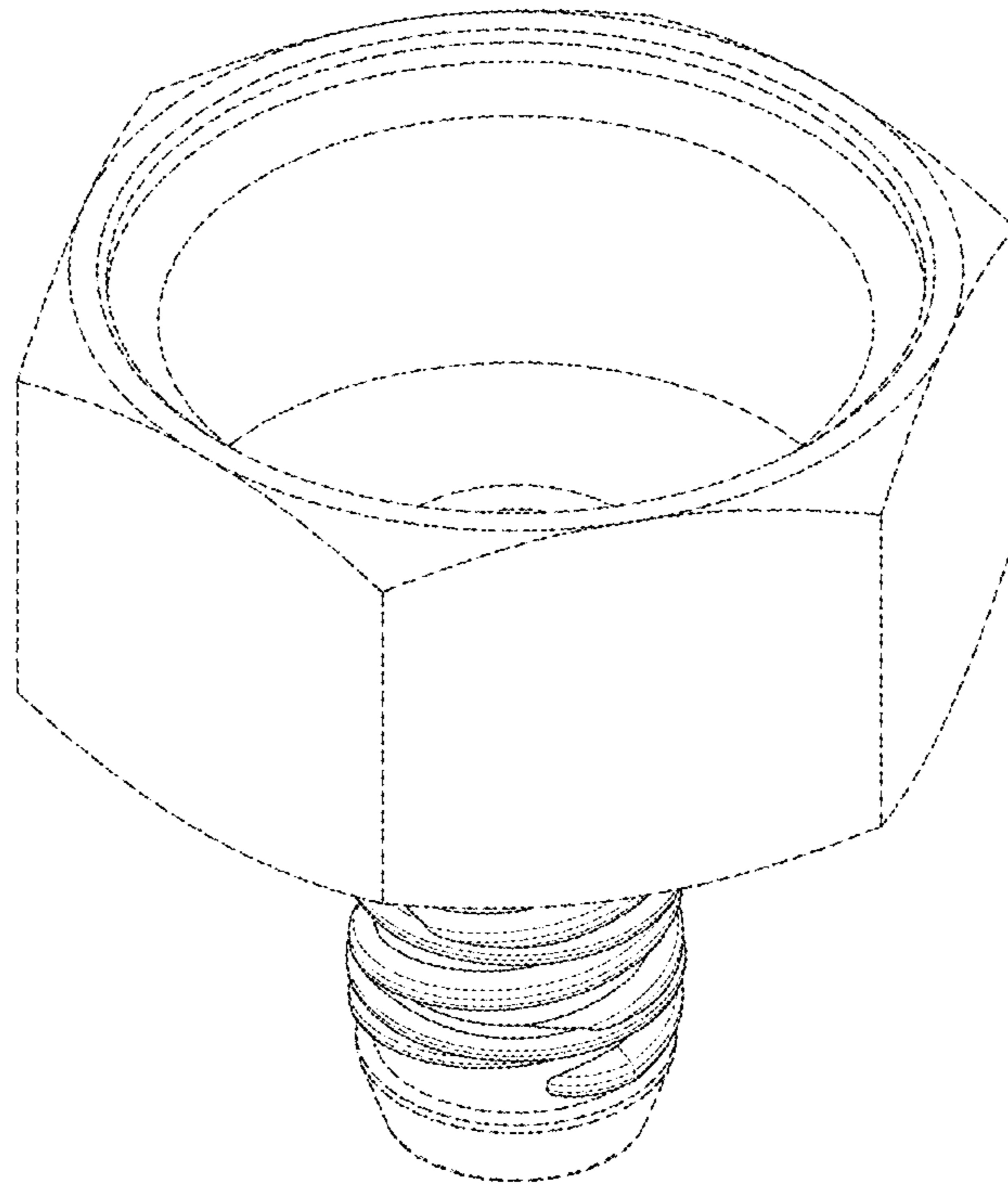
D892,272 S	*	8/2020	Urry .....	D23/223
D892,984 S	*	8/2020	Kury .....	D23/266
D898,167 S	*	10/2020	Kury .....	D23/262
D899,239 S	*	10/2020	Schatzl .....	D8/387
D904,567 S	*	12/2020	Bian .....	D23/233

\* cited by examiner

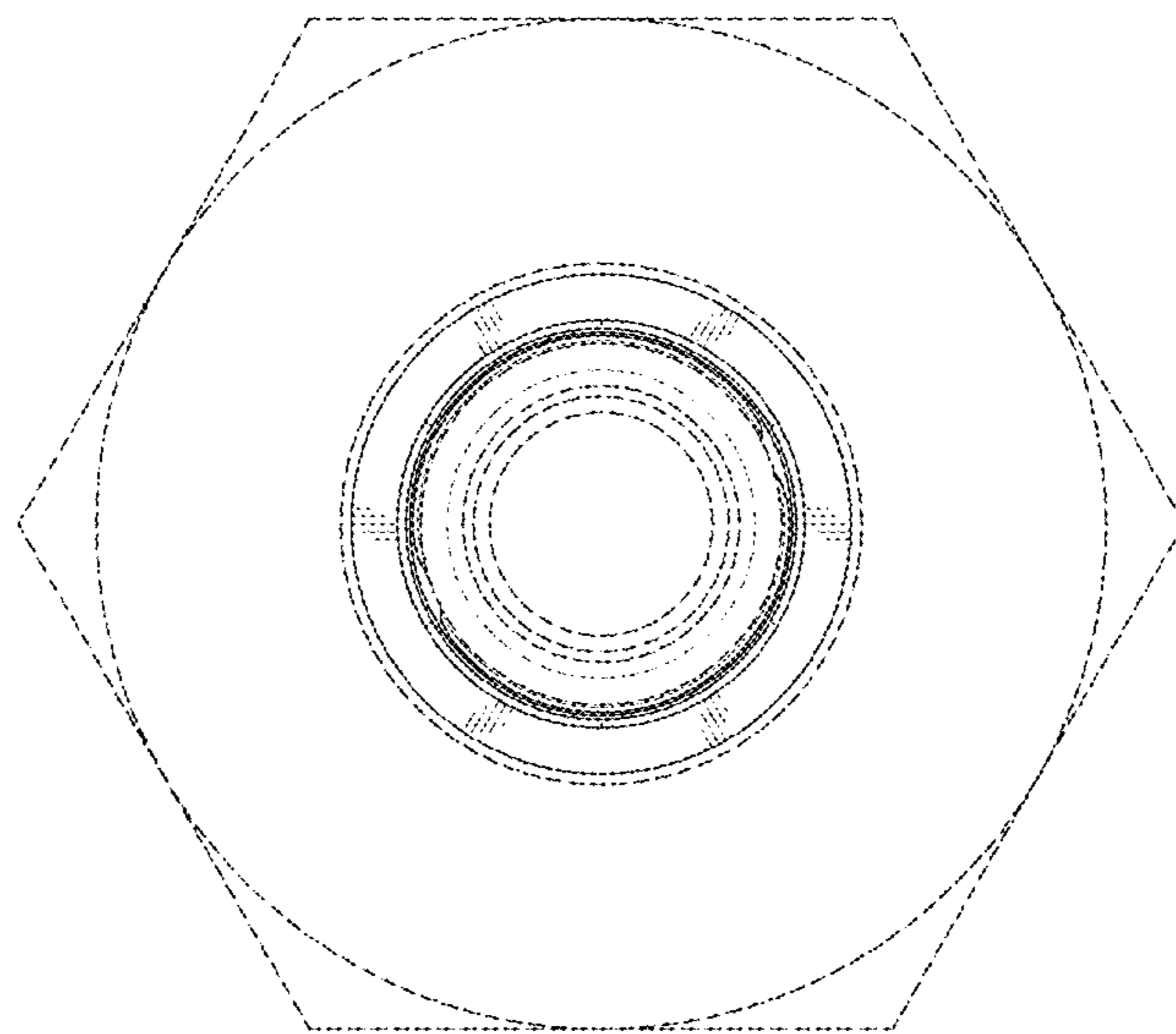
4.1



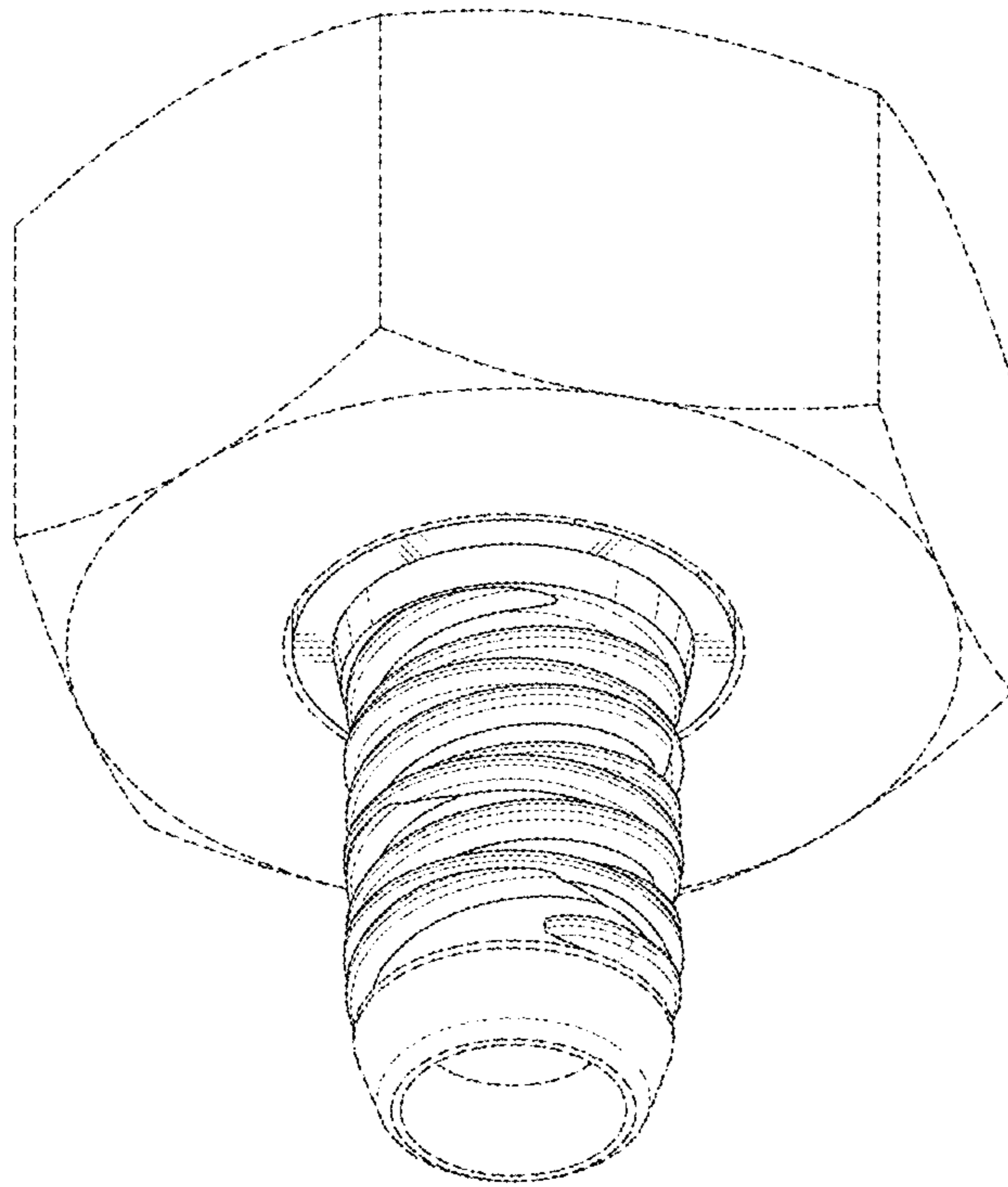
4.2



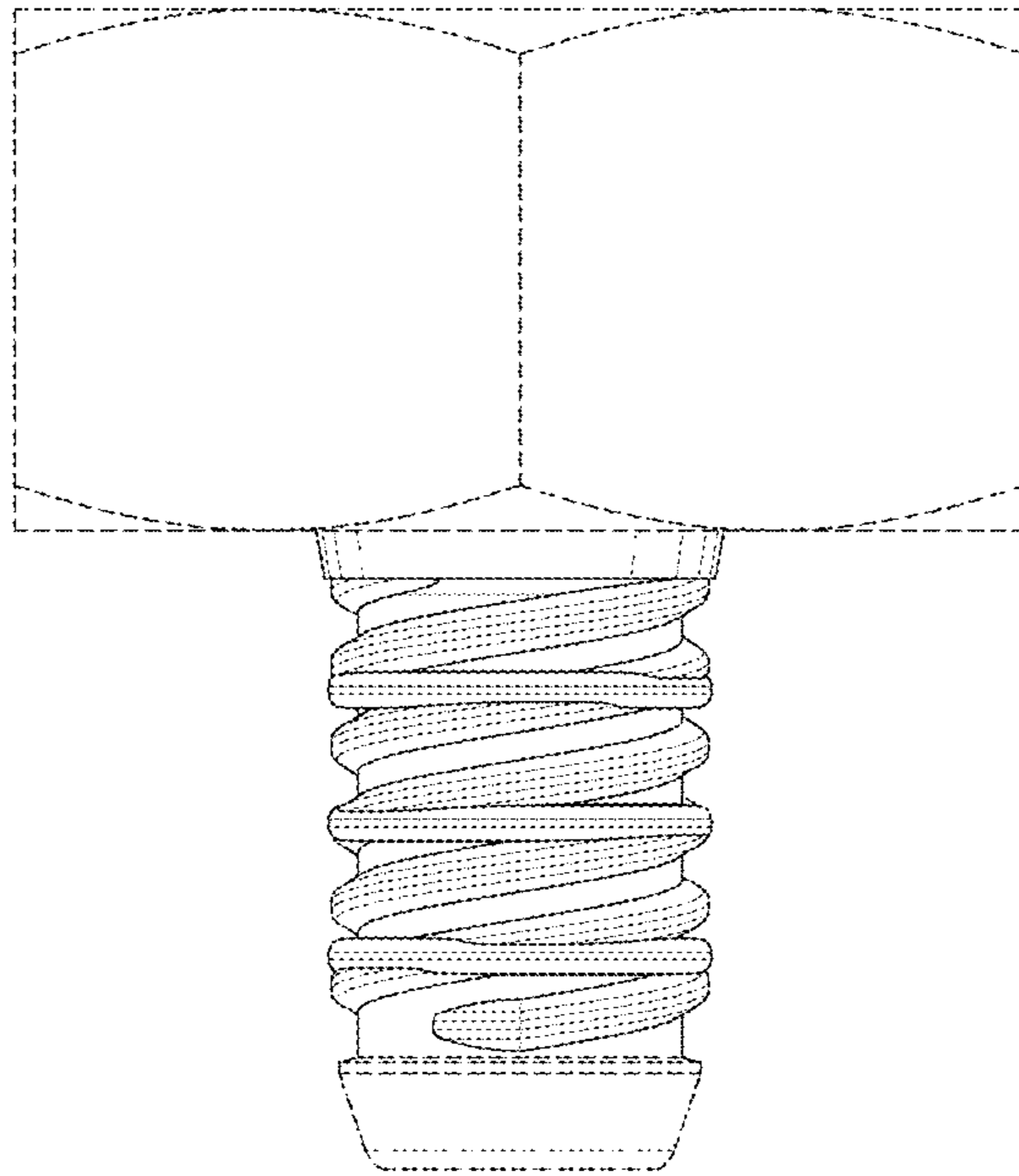
4.3



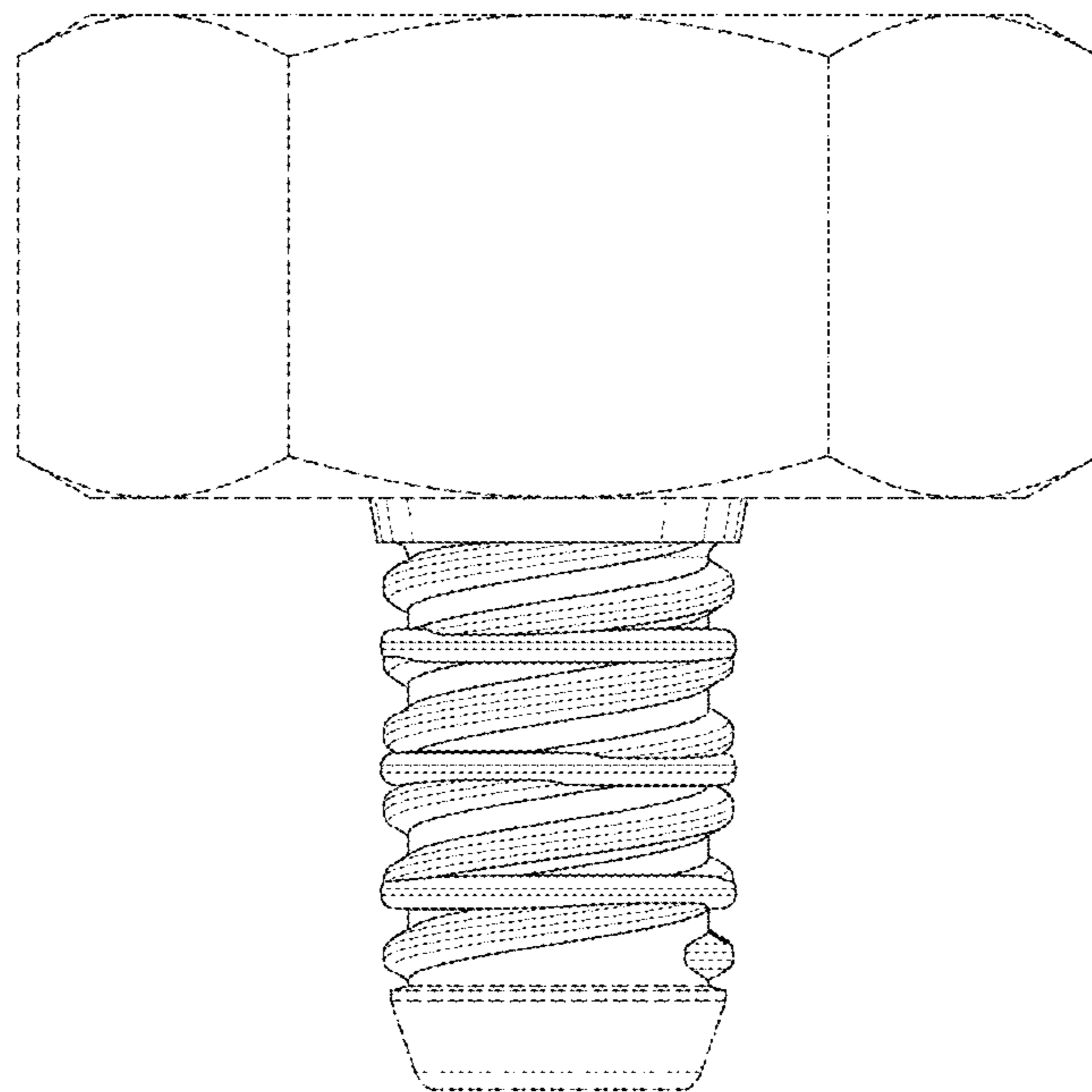
4.4



4.5

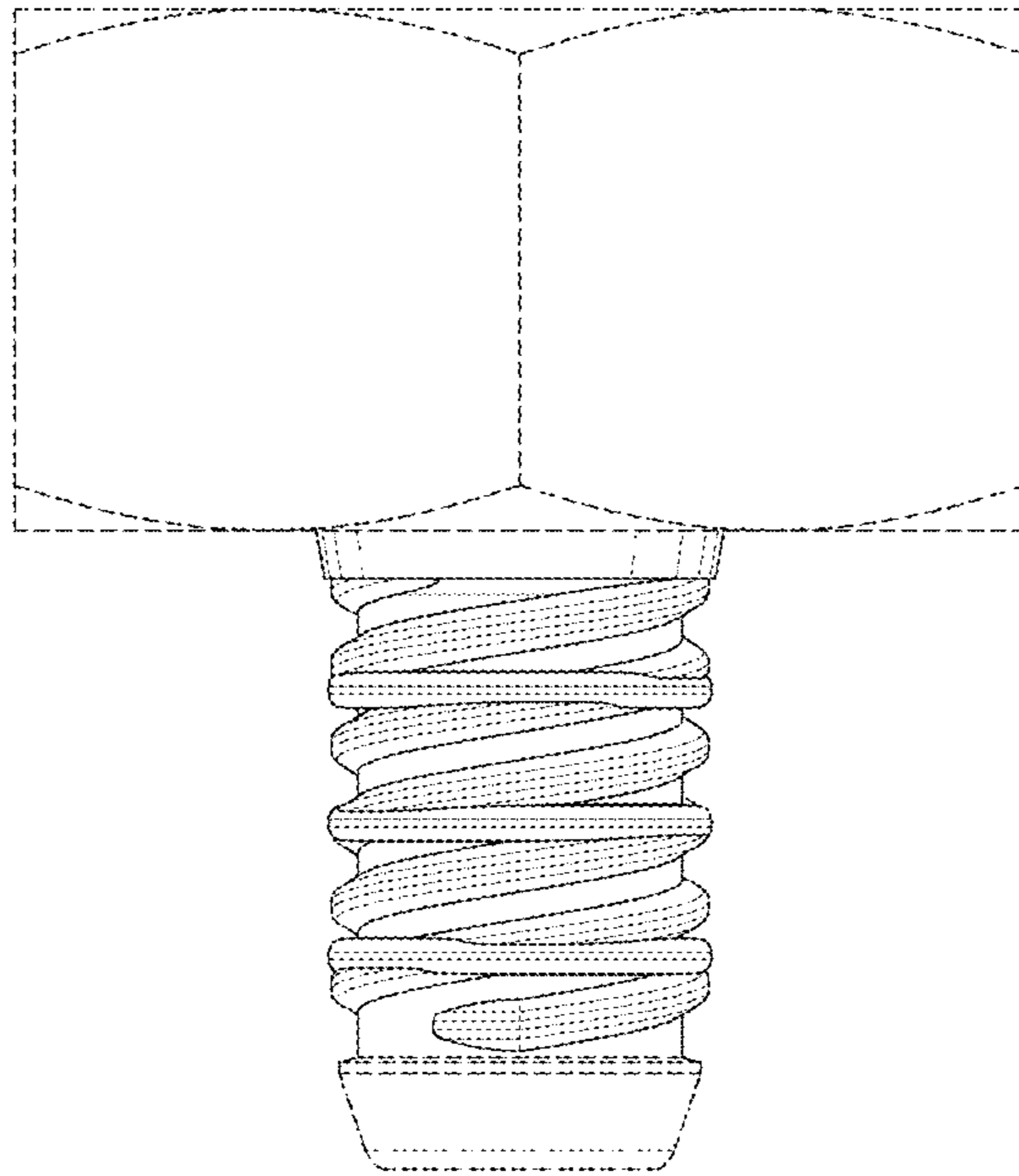


4.6

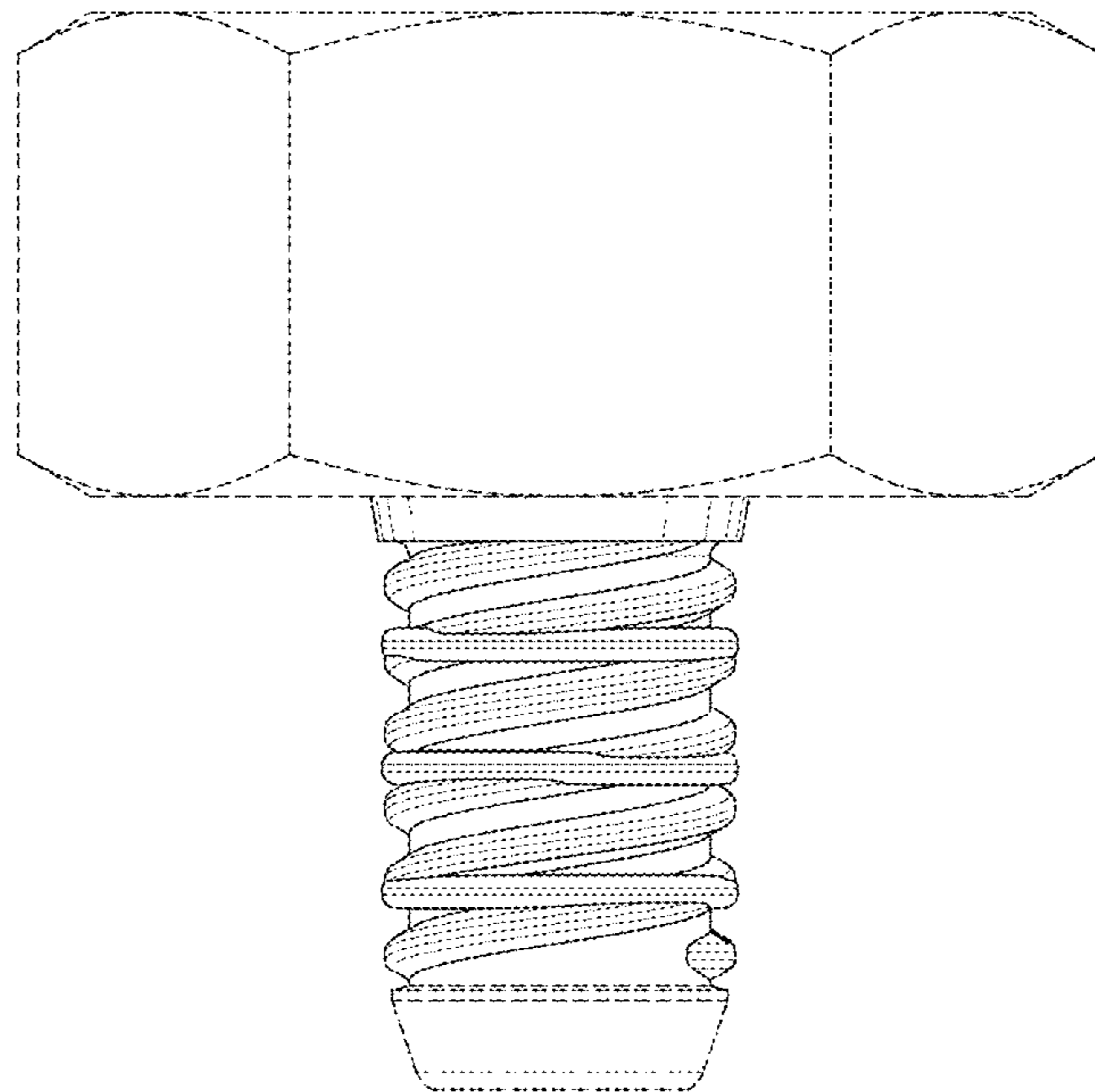




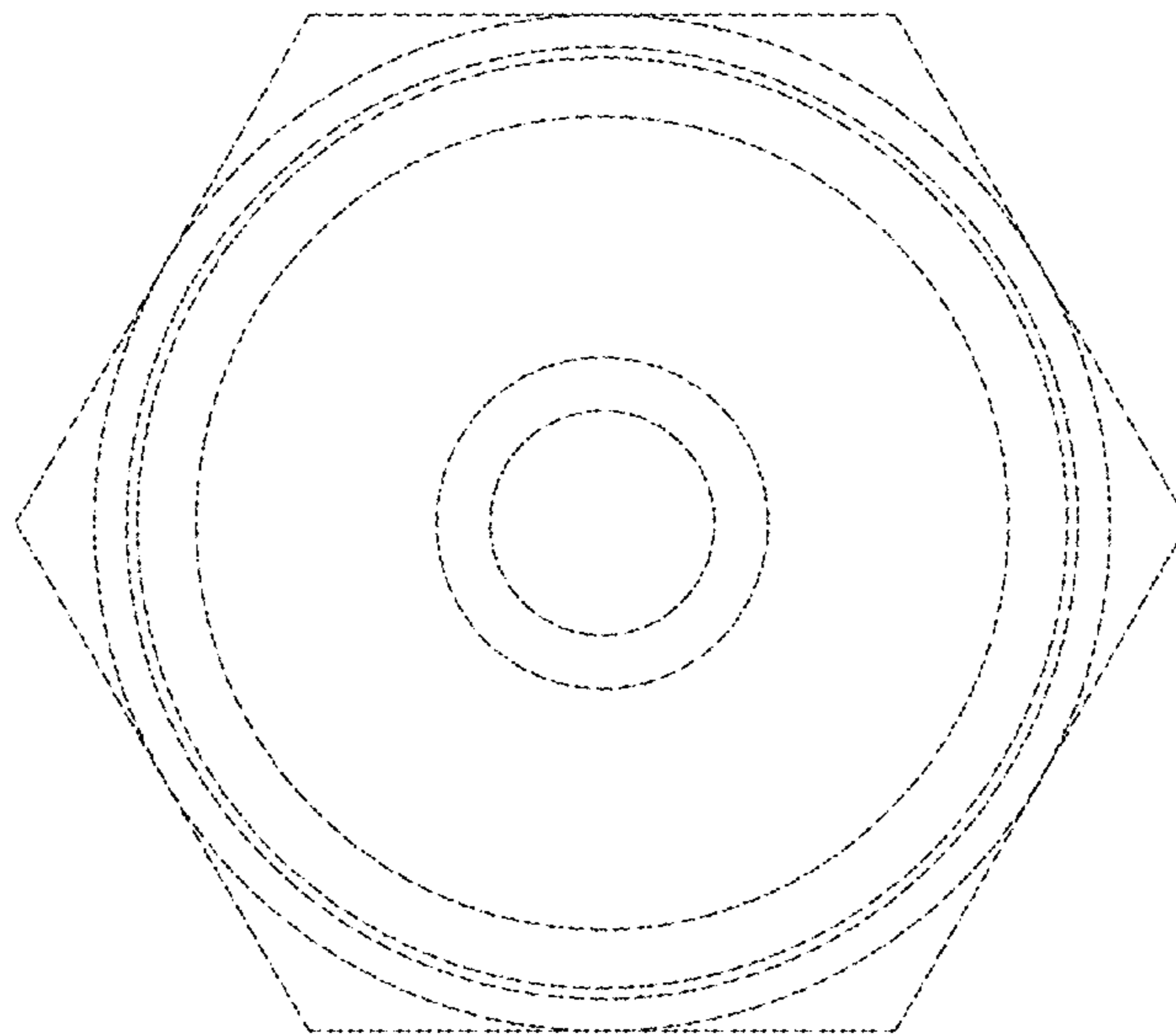
4.7



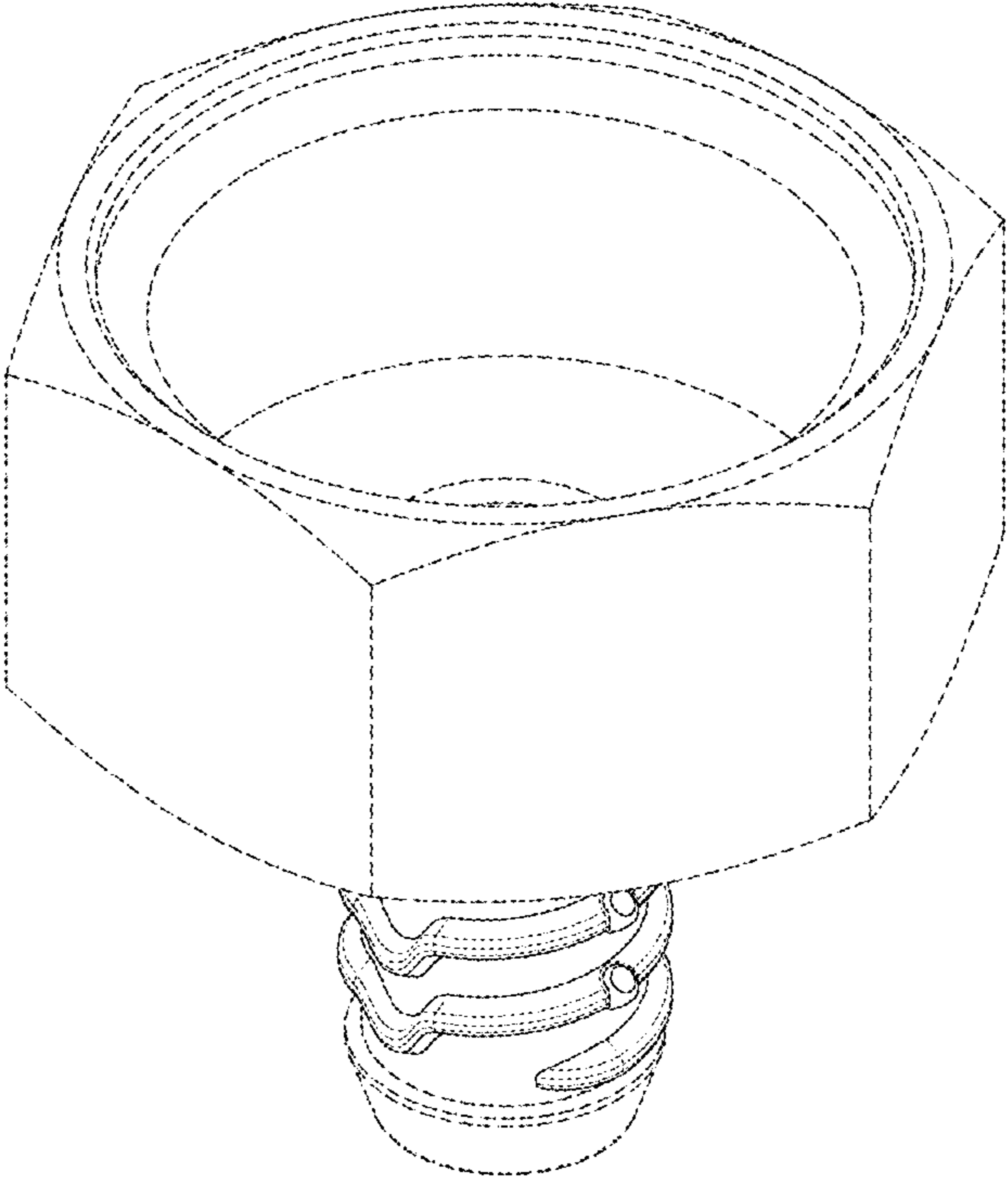
4.8



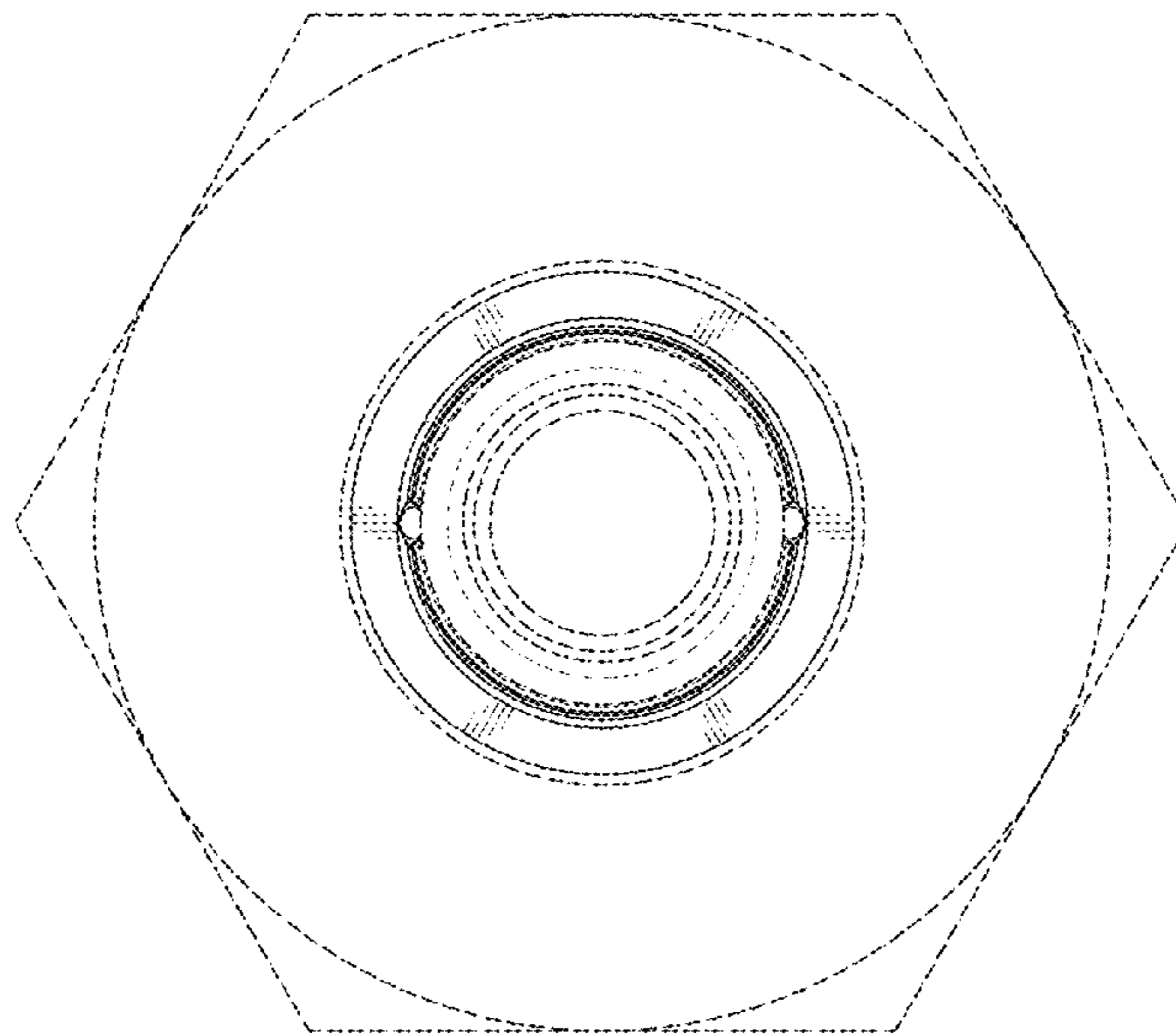
5.1



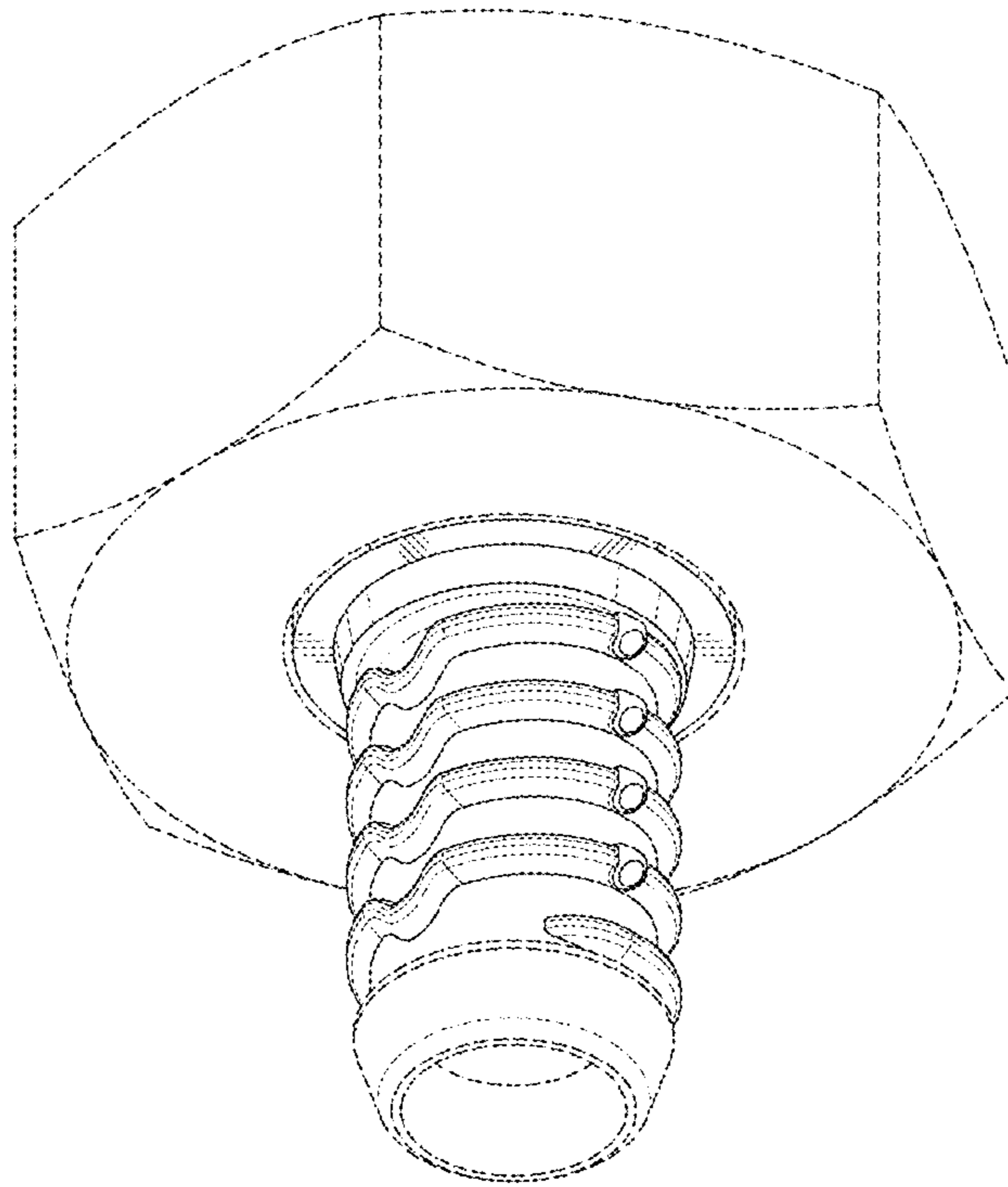
5.2



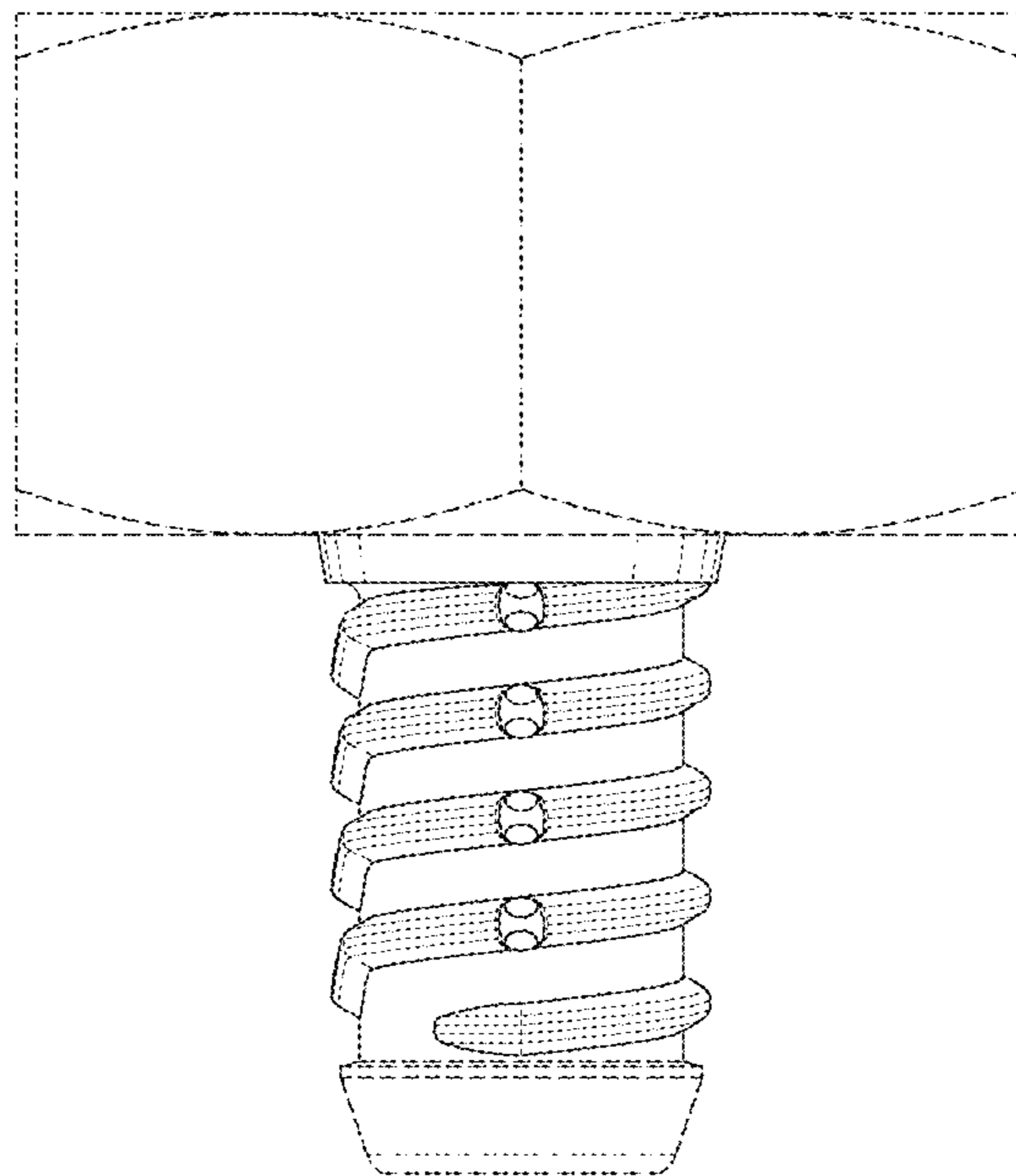
5.3



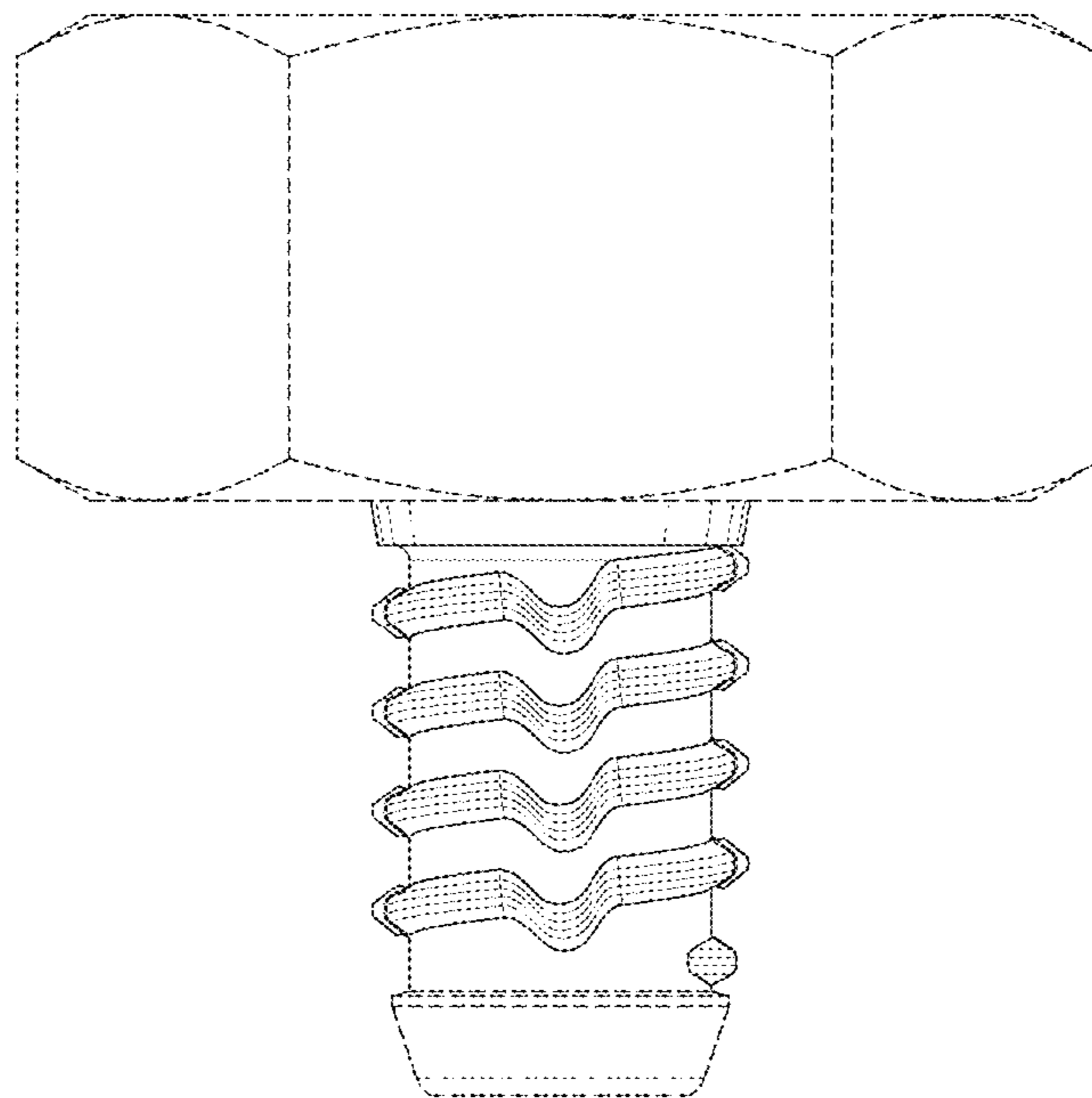
5.4



5.5

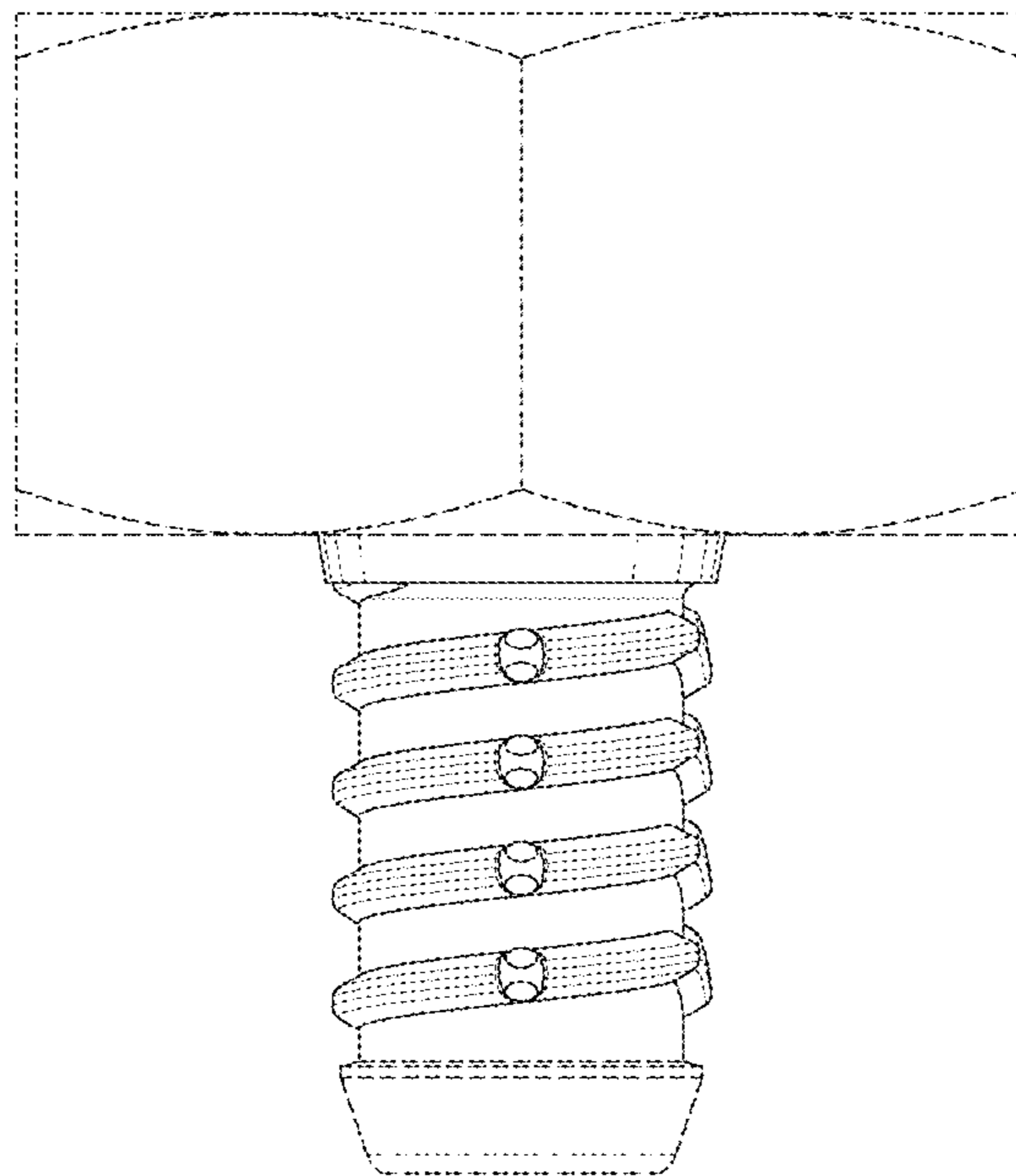


5.6

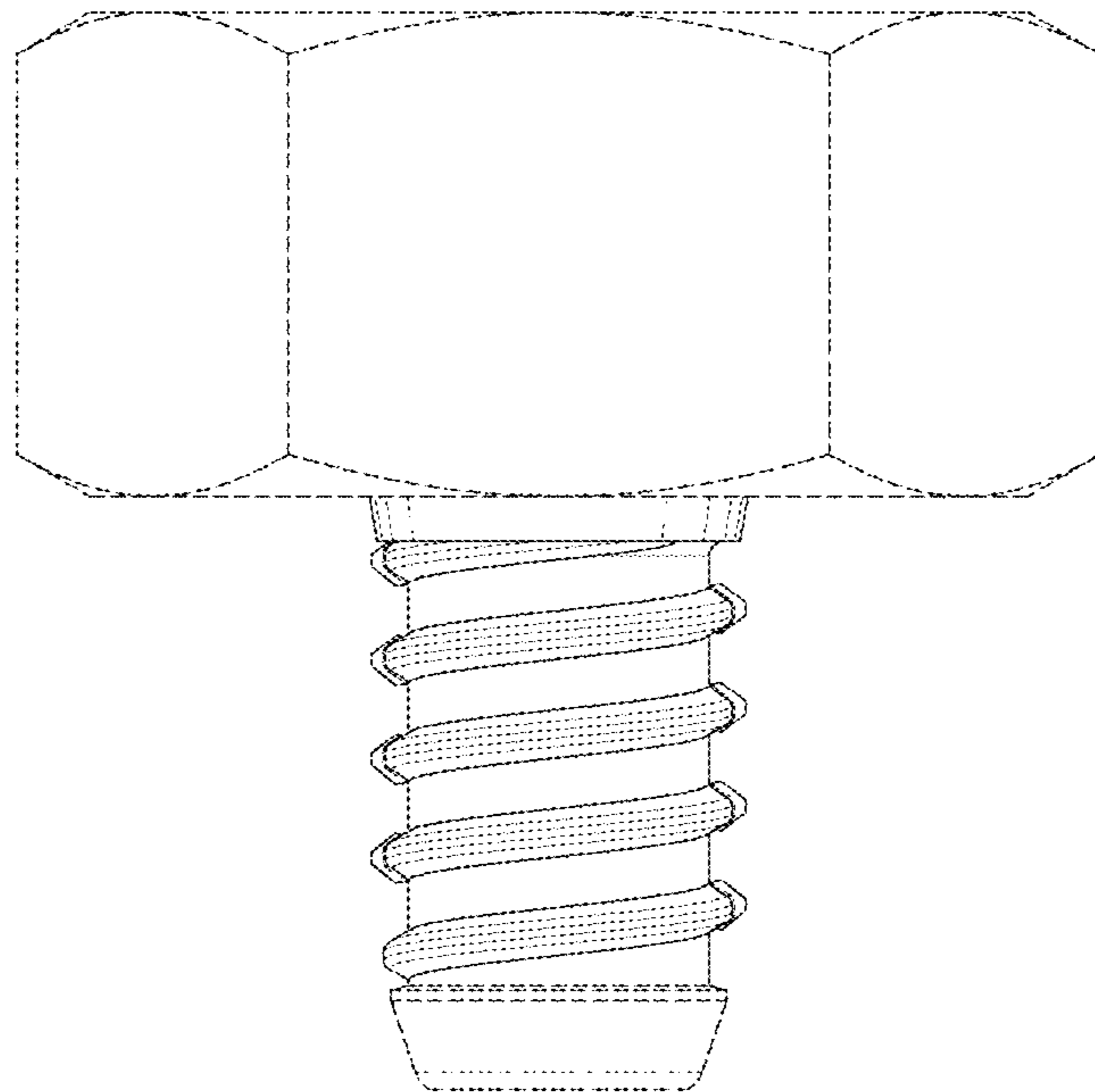




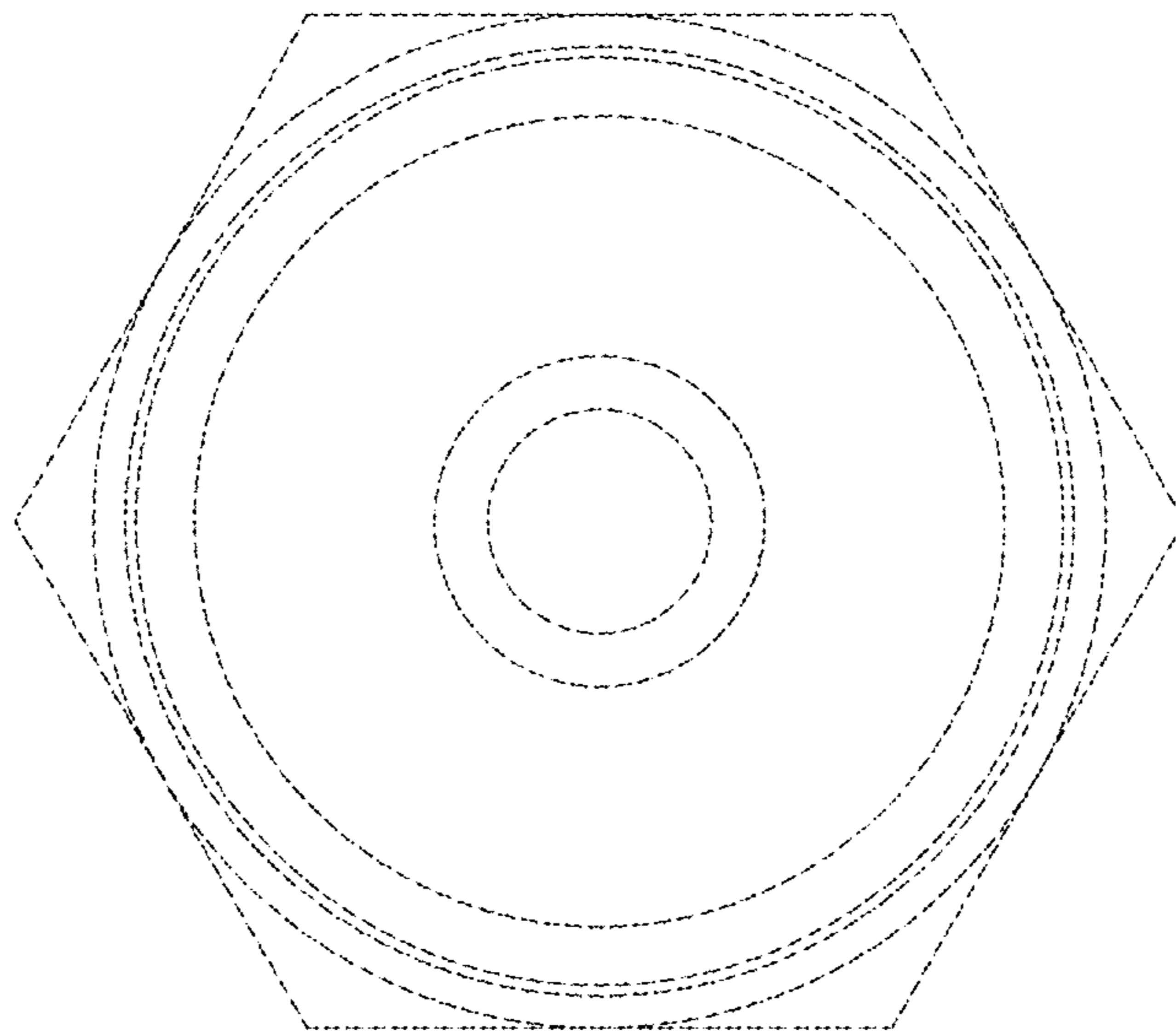
5.7



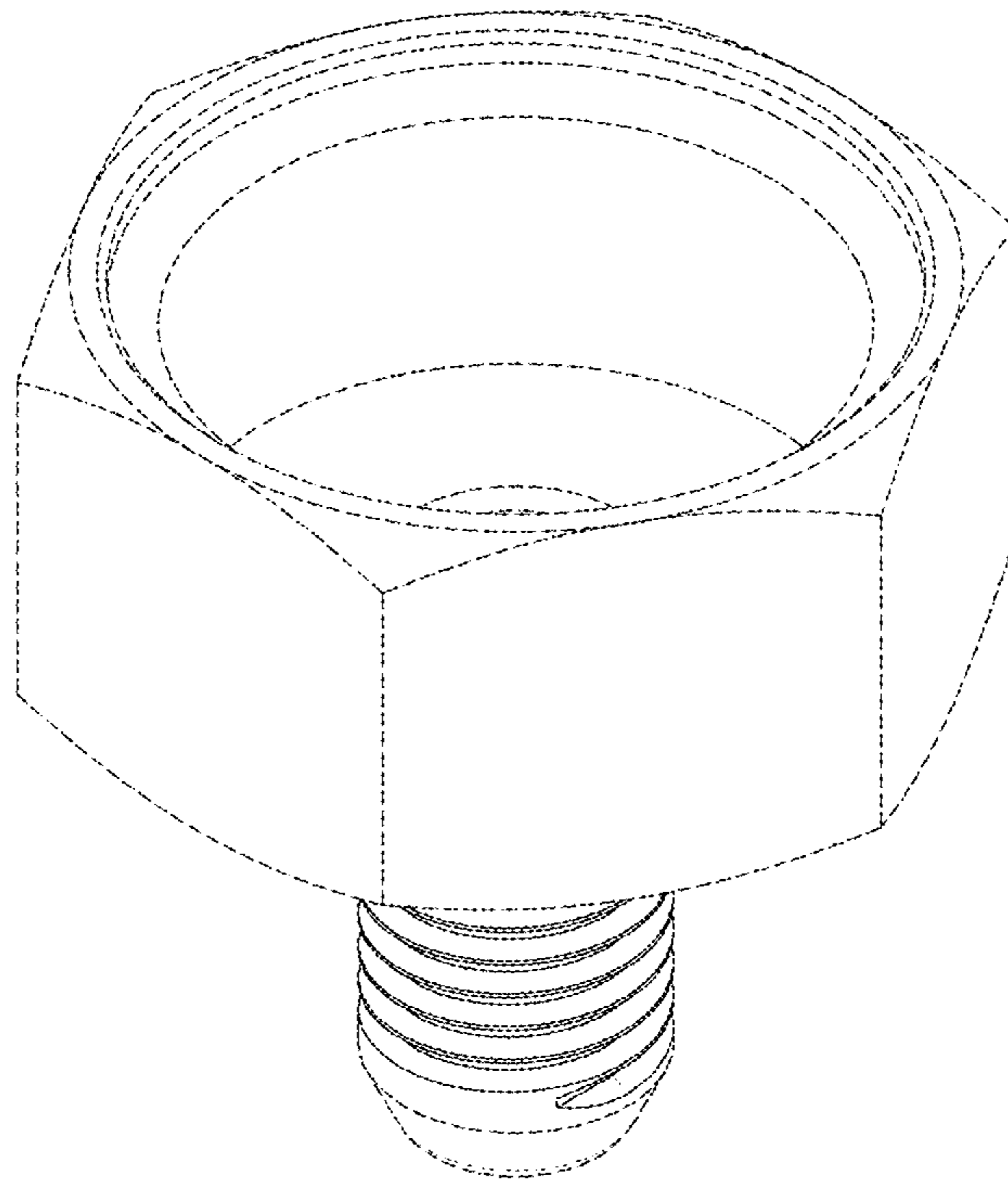
5.8



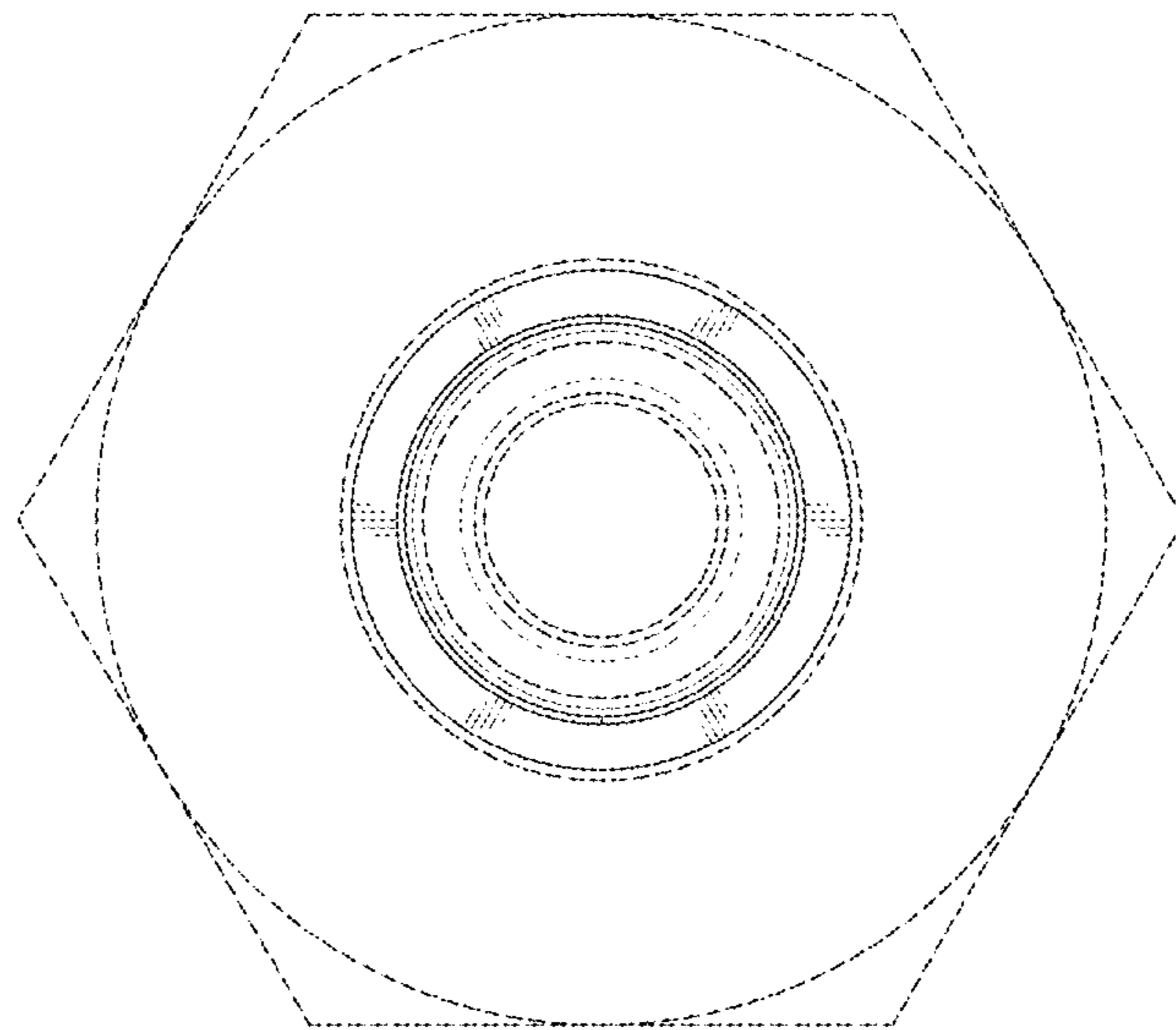
6.1



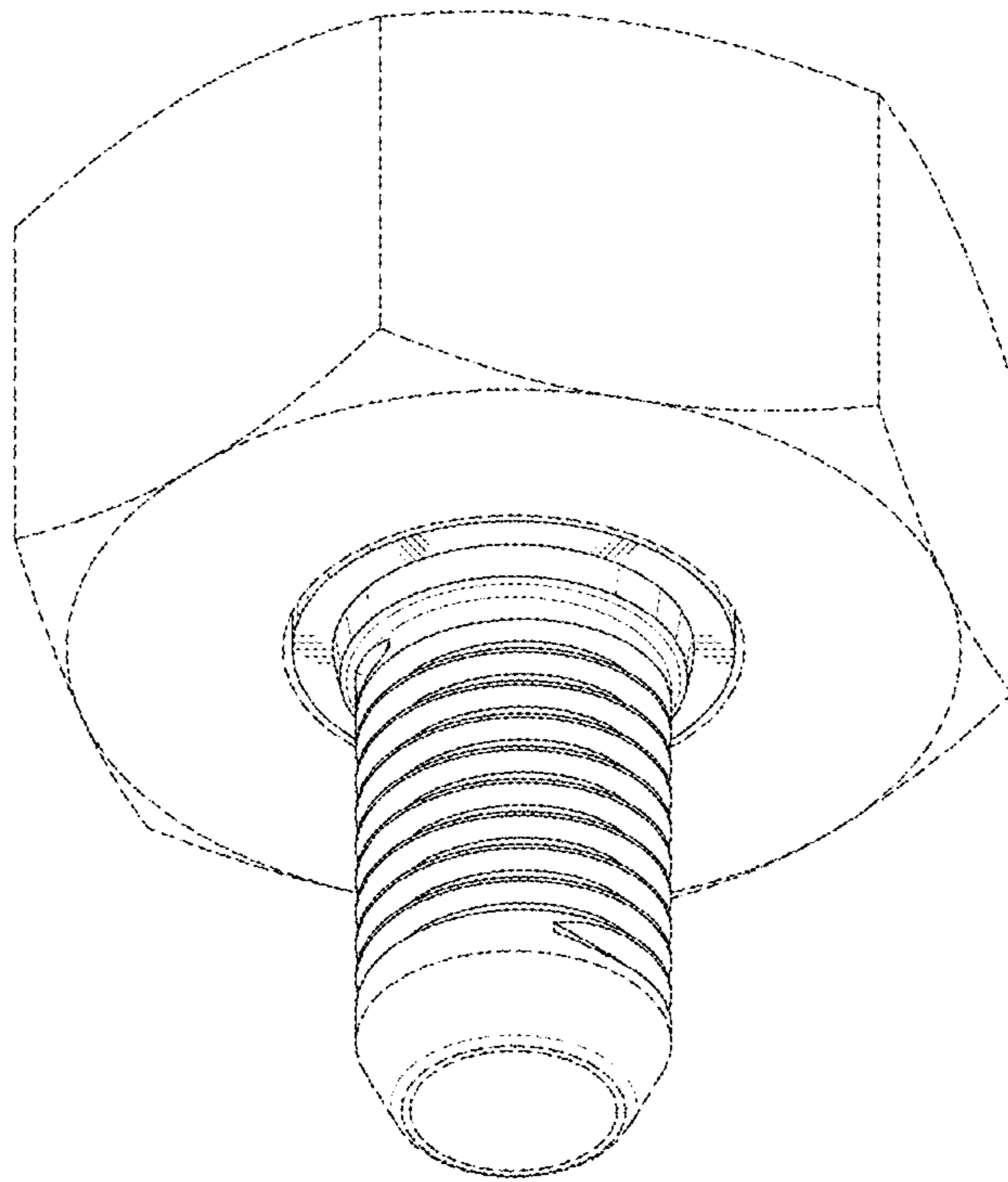
6.2



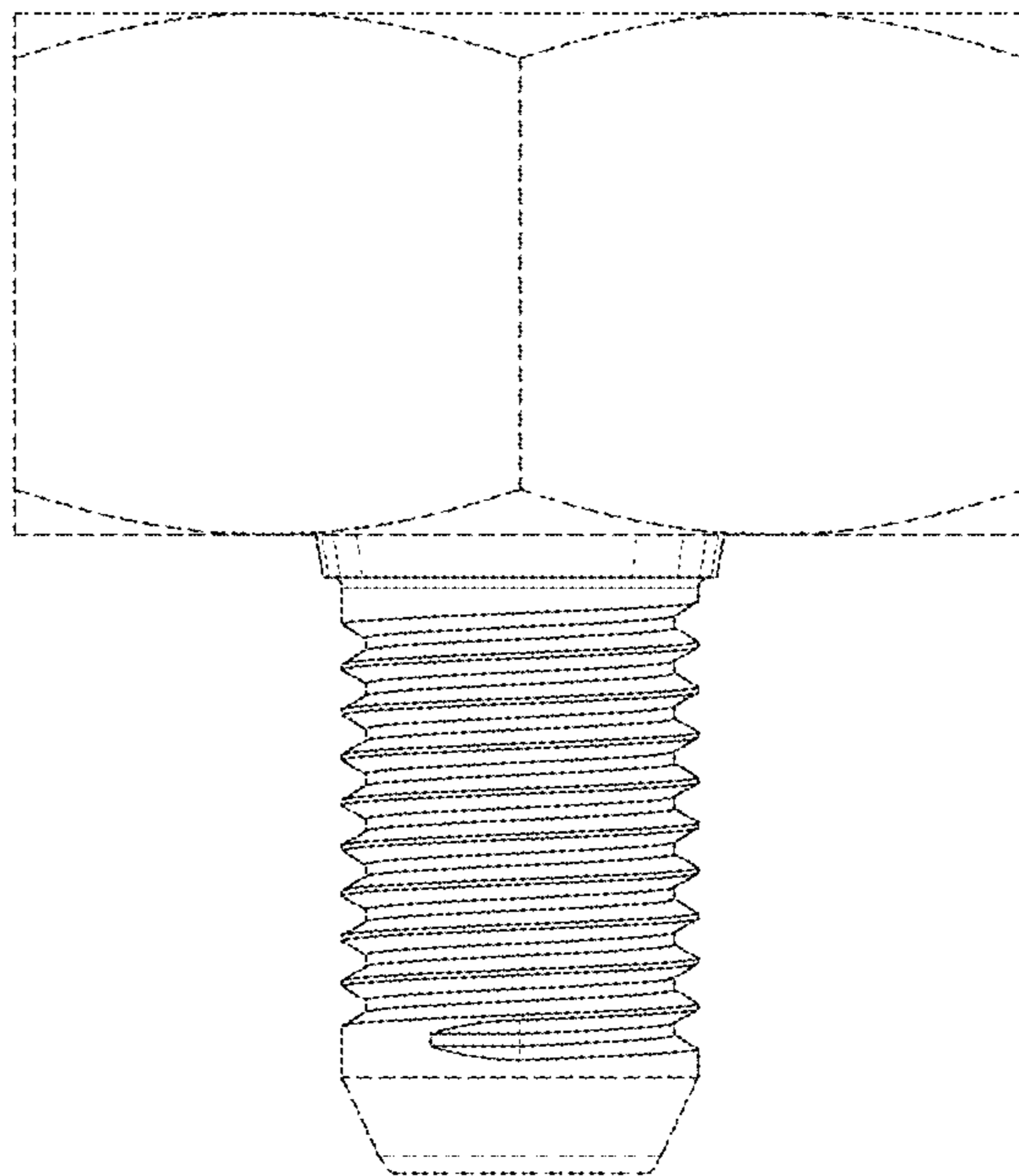
6.3



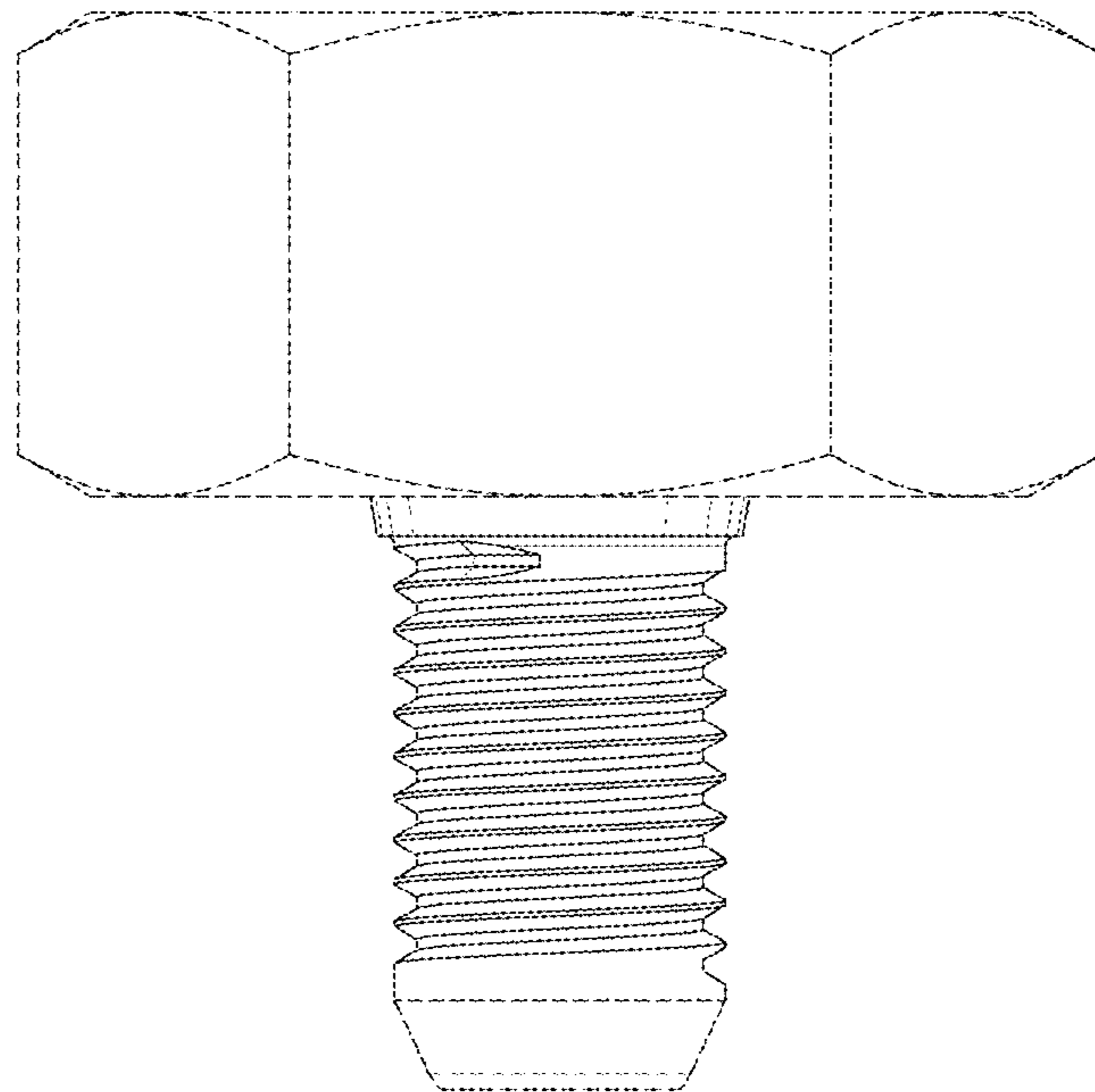
6.4



6.5

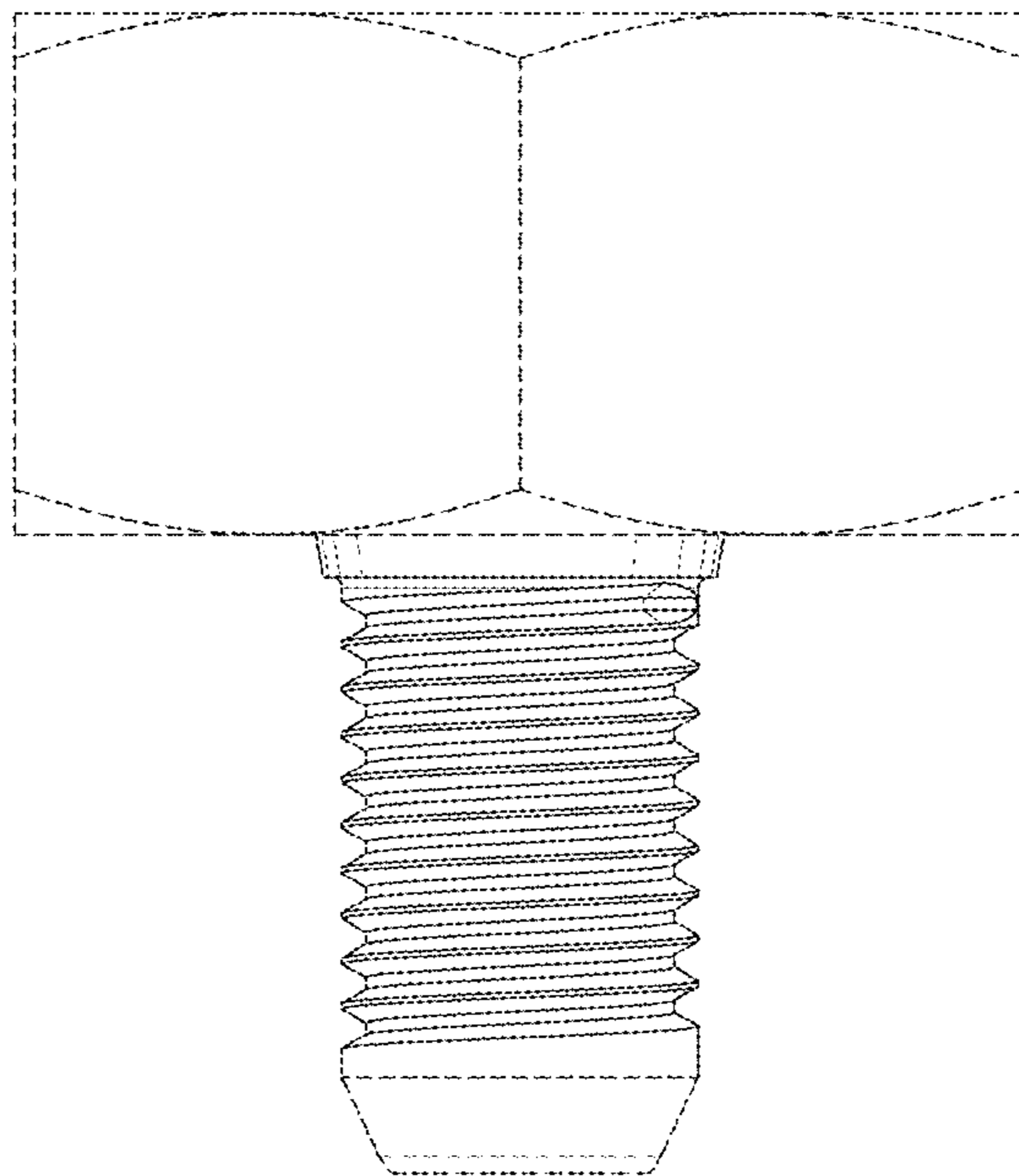


6.6





6.7



6.8

