



US00D926295S

(12) **United States Design Patent**
Zhang

(10) **Patent No.:** **US D926,295 S**

(45) **Date of Patent:** **** Jul. 27, 2021**

(54) **TEE PIPE FITTING**

(71) Applicant: **XIAMEN HALEJIA E-COMMERCE CO., LTD.**, Xiamen (CN)

(72) Inventor: **Jianyong Zhang**, Chongqing (CN)

(73) Assignee: **XIAMEN HALEJIA E-COMMERCE CO., LTD.**, Xiamen (CN)

(**) Term: **15 Years**

(21) Appl. No.: **29/765,799**

(22) Filed: **Jan. 12, 2021**

(51) **LOC (13) Cl.** **23-01**

(52) **U.S. Cl.**
USPC **D23/262; D23/263**

(58) **Field of Classification Search**
USPC D23/259, 262–263, 266; 285/179, 179.1
See application file for complete search history.

(56) **References Cited**

U.S. PATENT DOCUMENTS

494,671	A *	4/1893	Dudley-Cooper	F16L 58/182
					285/55
2,292,328	A *	8/1942	Sisk	E03C 1/122
					285/125.1
2,533,720	A *	12/1950	Danel	F16L 41/023
					285/132.1
D204,536	S *	4/1966	Maddox	D23/221
4,391,551	A *	7/1983	Belcher	E03C 1/30
					405/43
D315,788	S *	3/1991	Towsley	D23/263
5,509,148	A *	4/1996	Steele	E03C 1/122
					137/240

D423,918	S *	5/2000	Hirano	D8/382
D453,553	S *	2/2002	Maerz	D23/263
D592,492	S *	5/2009	Werschmidt	D8/382
D606,387	S *	12/2009	Werschmidt	D8/382
D770,599	S	11/2016	Daughters		
D776,797	S	1/2017	Bednarz		
D886,246	S *	6/2020	Wilson	D23/259
D905,832	S *	12/2020	Gray	D23/266

* cited by examiner

Primary Examiner — Amy C Wierenga

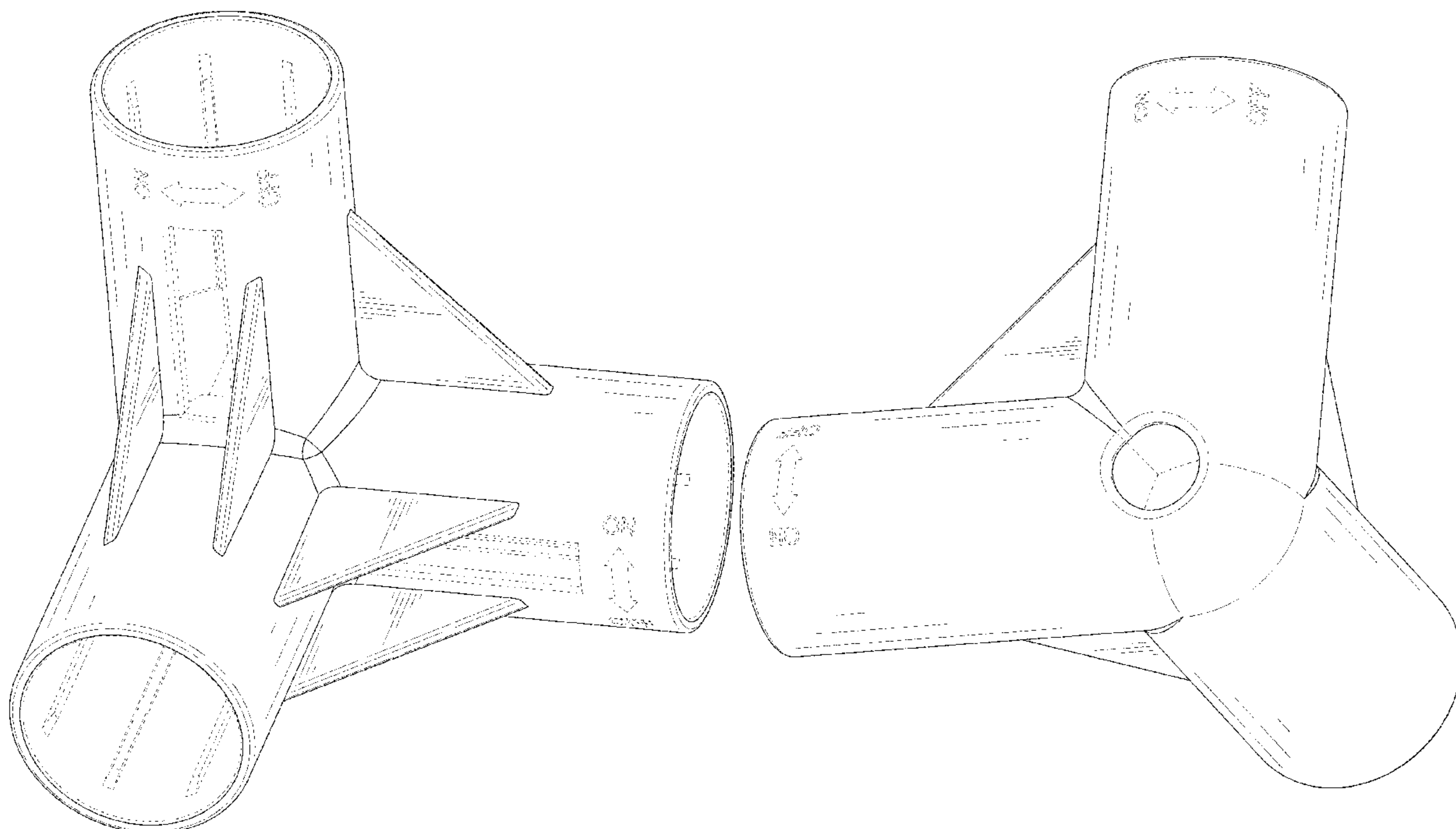
(57) **CLAIM**

The ornamental design for a tee pipe fitting, as shown and described.

DESCRIPTION

FIG. 1 is a perspective view of a tee pipe fitting showing my new design;
 FIG. 2 is another perspective view thereof;
 FIG. 3 is a front elevational view thereof;
 FIG. 4 is a rear elevational view thereof;
 FIG. 5 is a left side elevational view thereof;
 FIG. 6 is a right side elevational view thereof;
 FIG. 7 is a top plan view thereof;
 FIG. 8 is a bottom plan view thereof; and,
 FIG. 9 is a perspective view of the tee pipe fitting where the tee pipe fitting is in a configuration of use.
 The broken lines in the drawings depict portions of the tee pipe fitting and environment that form no part of the claimed design.

1 Claim, 9 Drawing Sheets



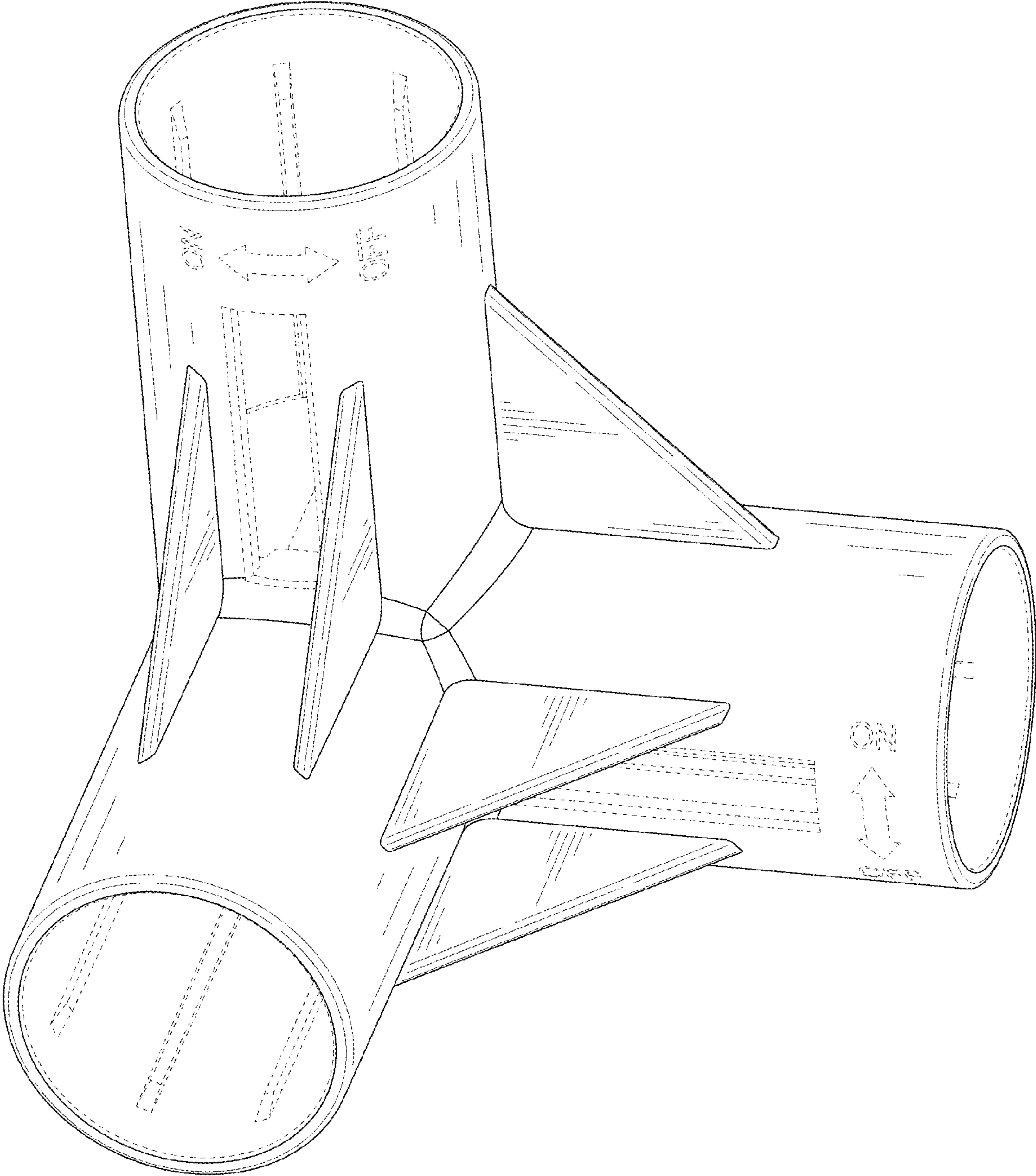


FIG. 1

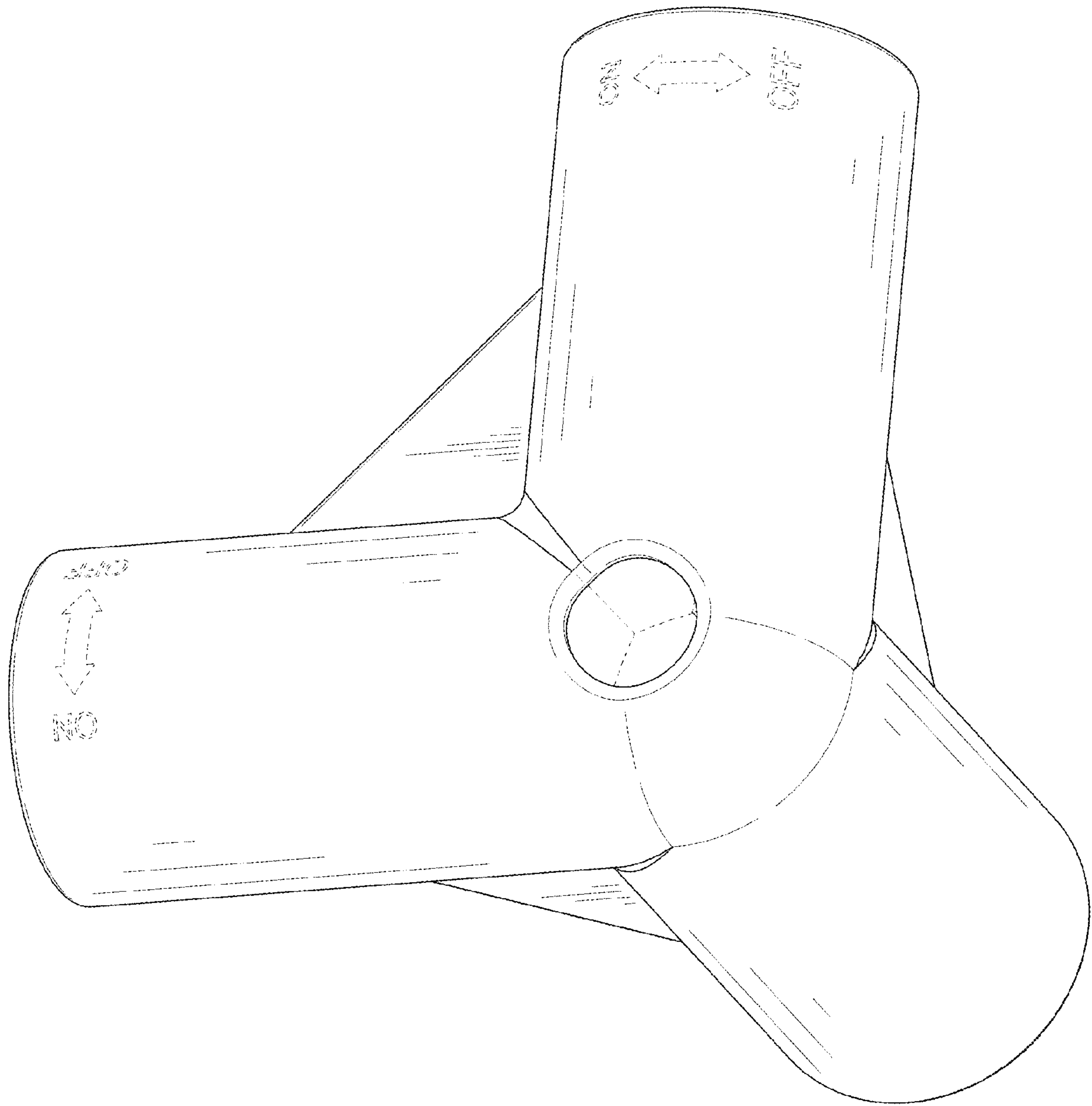


FIG. 2

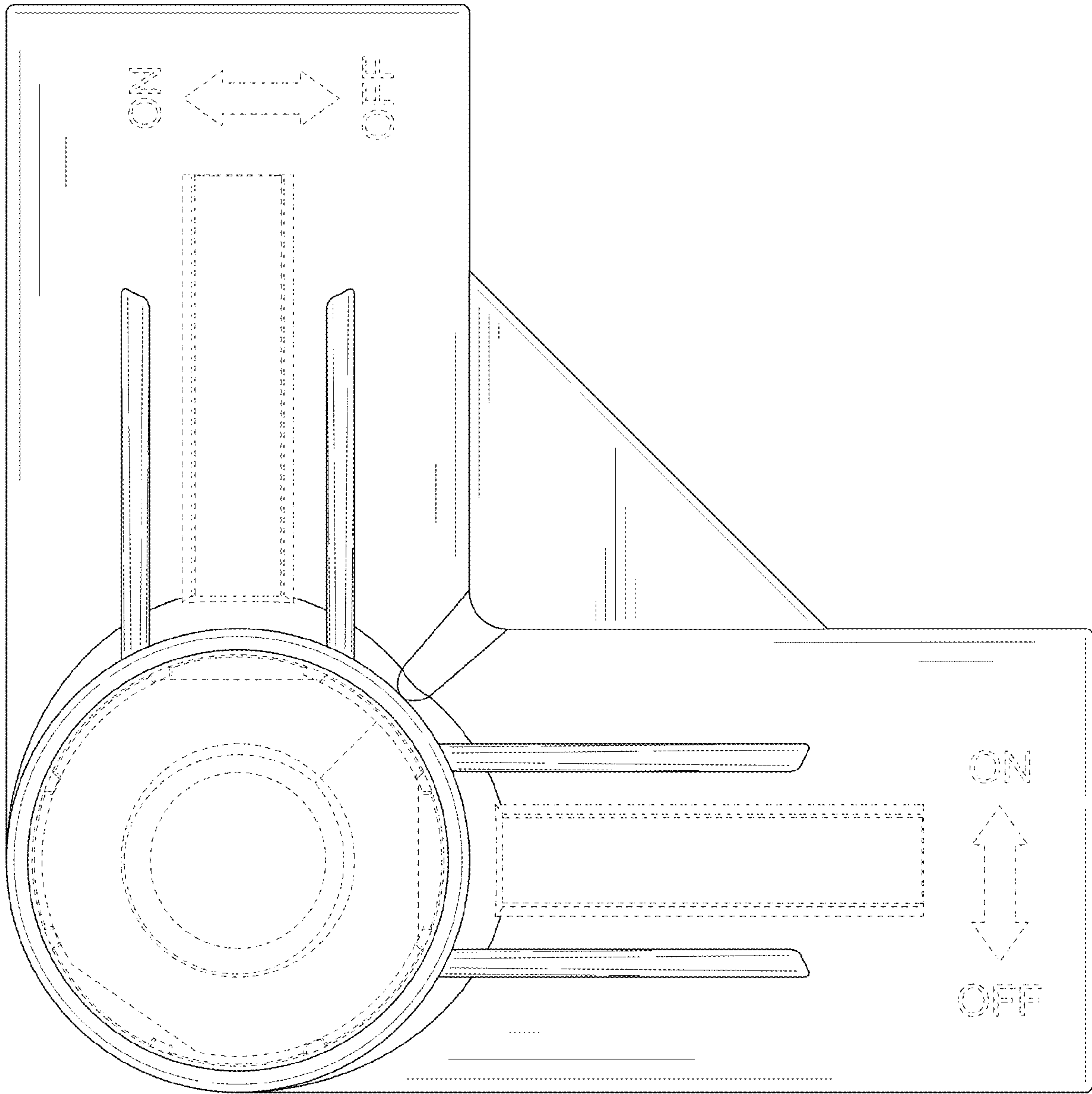


FIG. 3

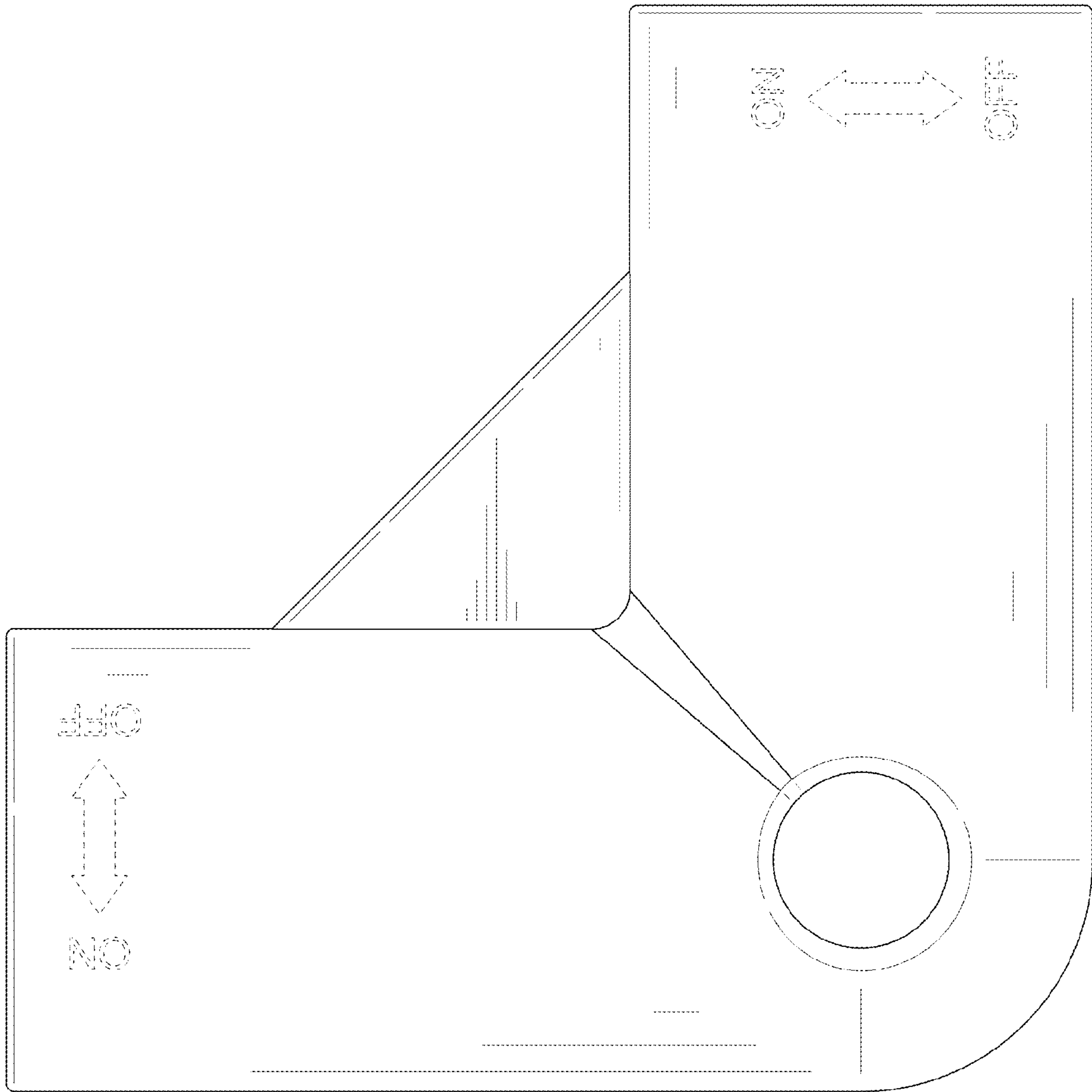


FIG. 4

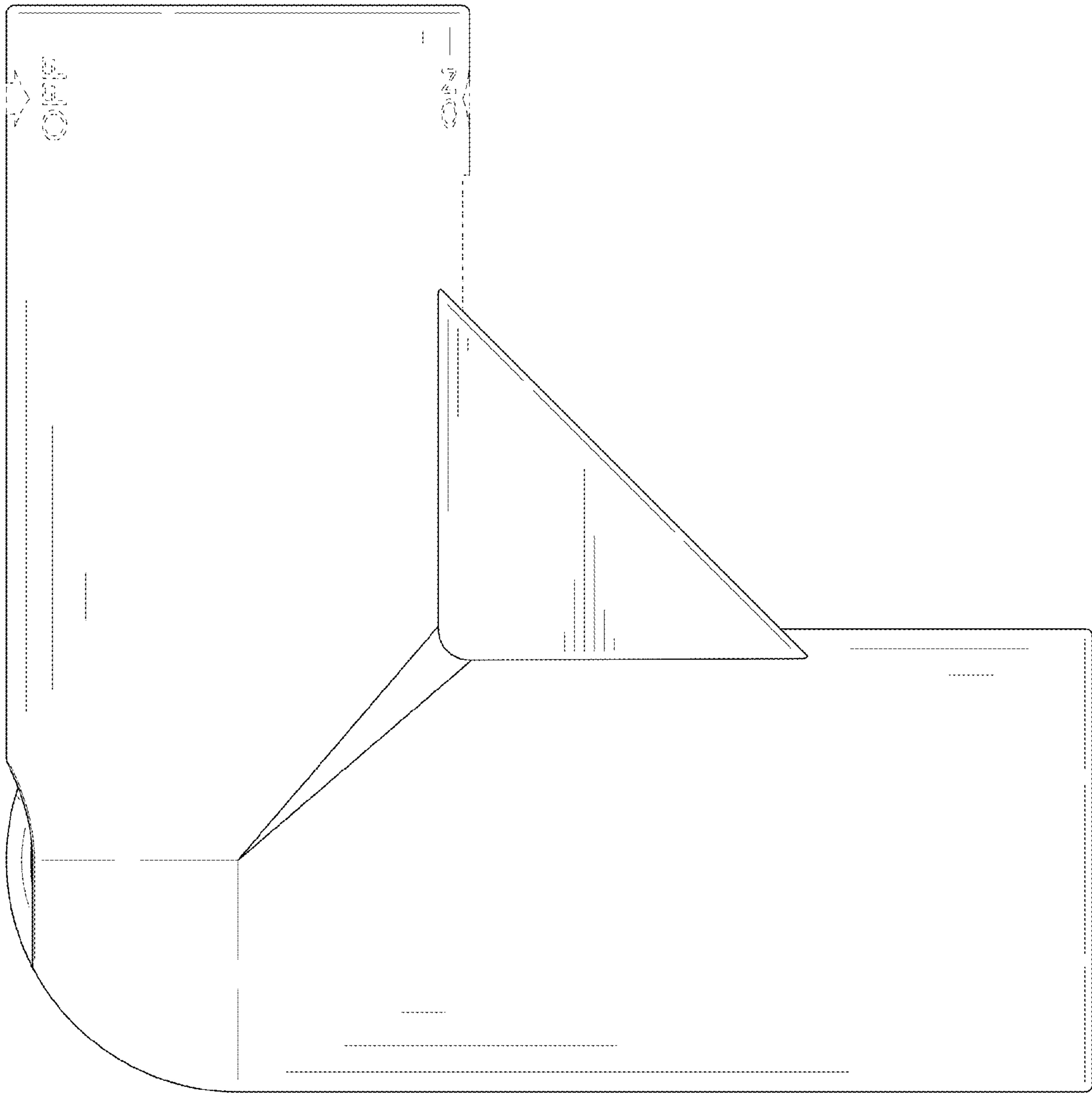


FIG. 5

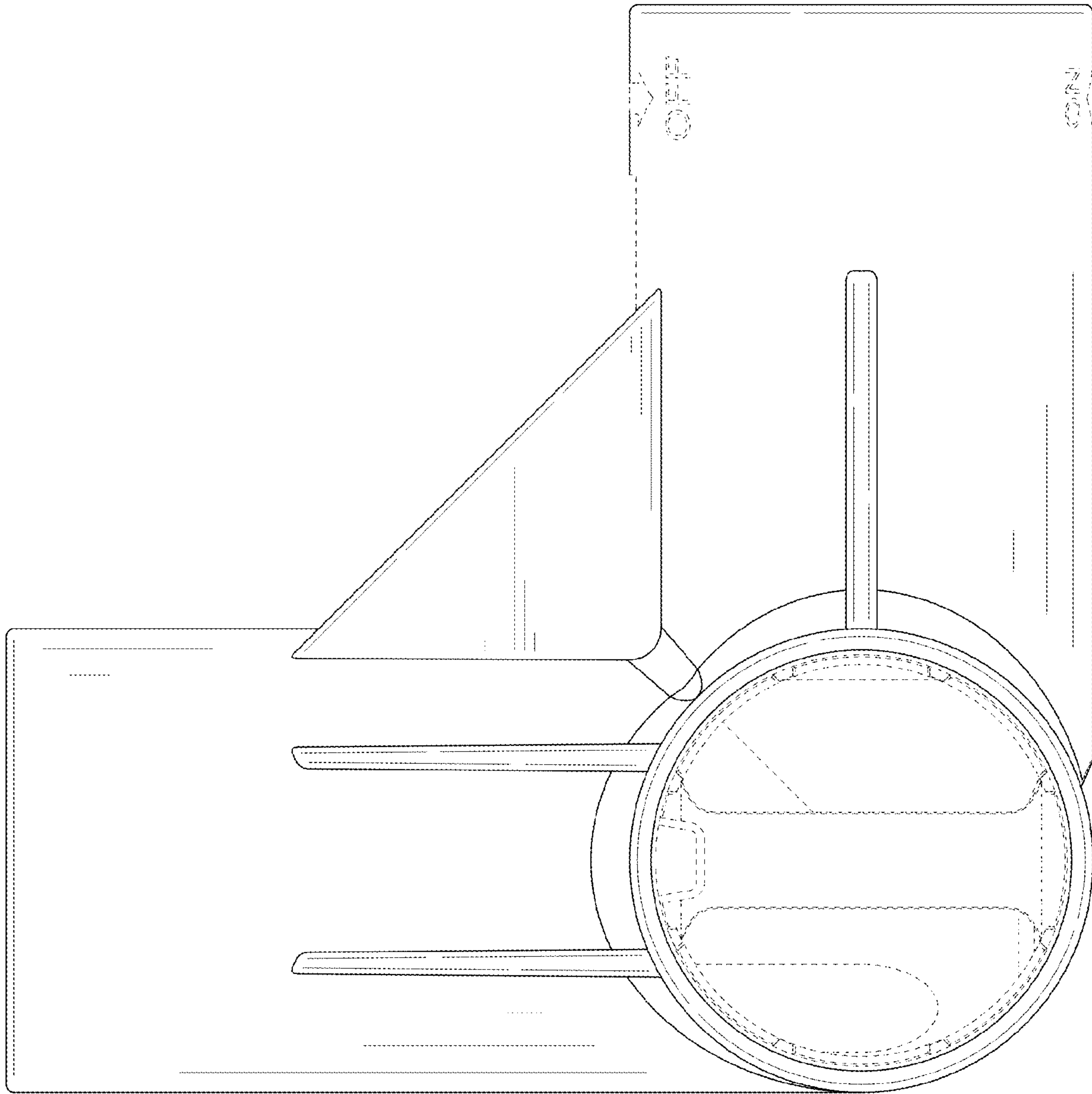


FIG. 6

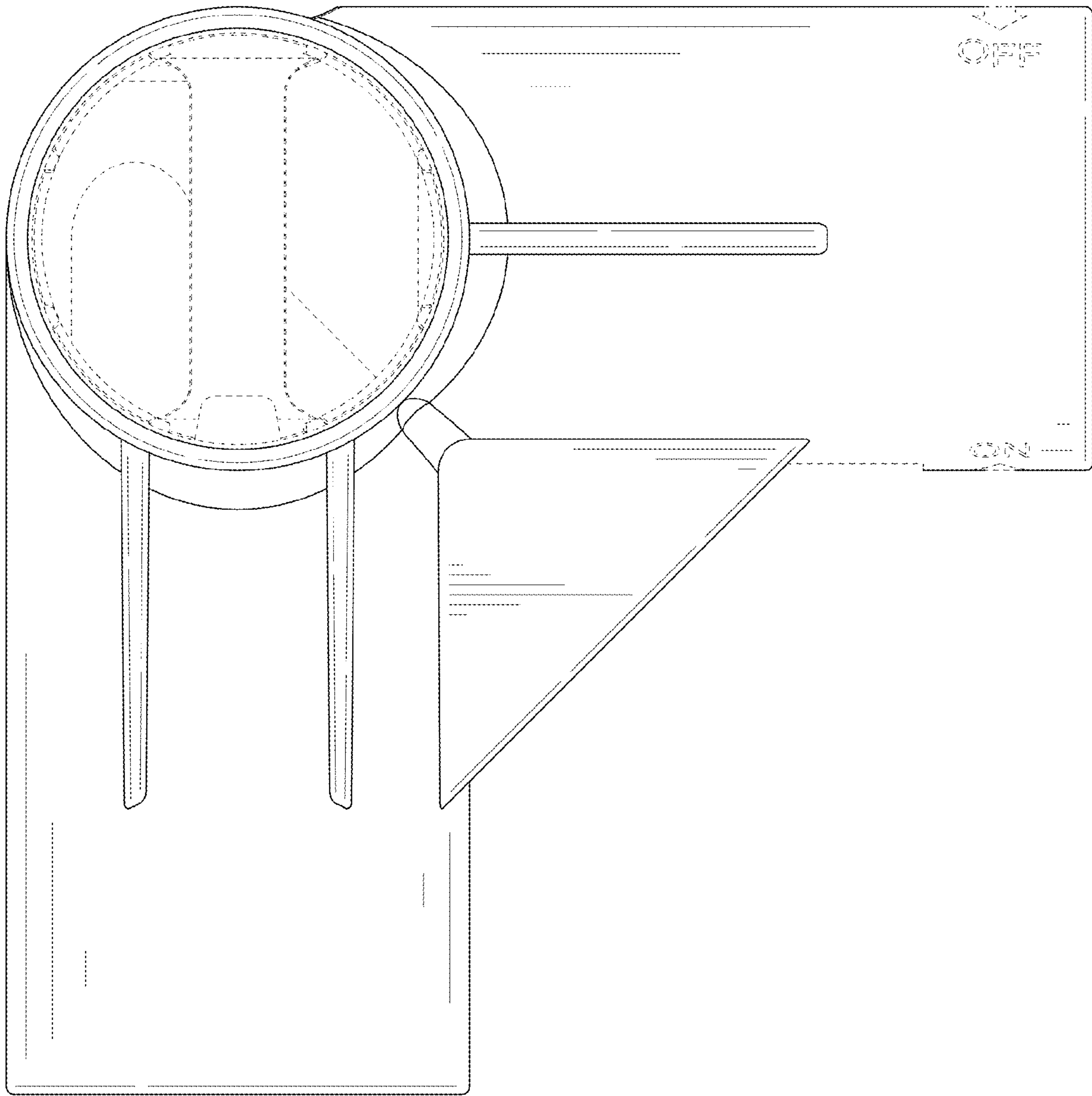


FIG. 7

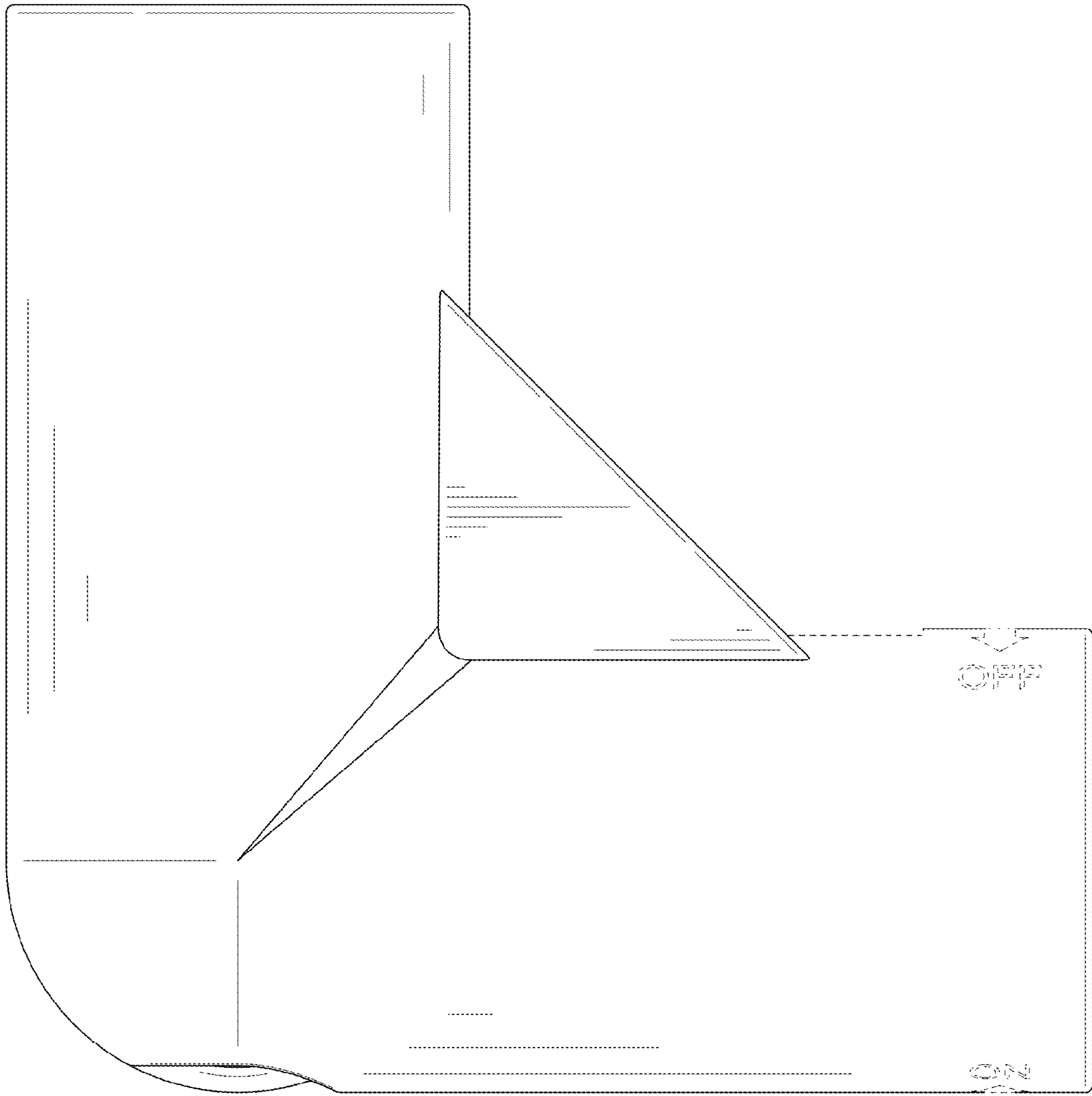


FIG. 8

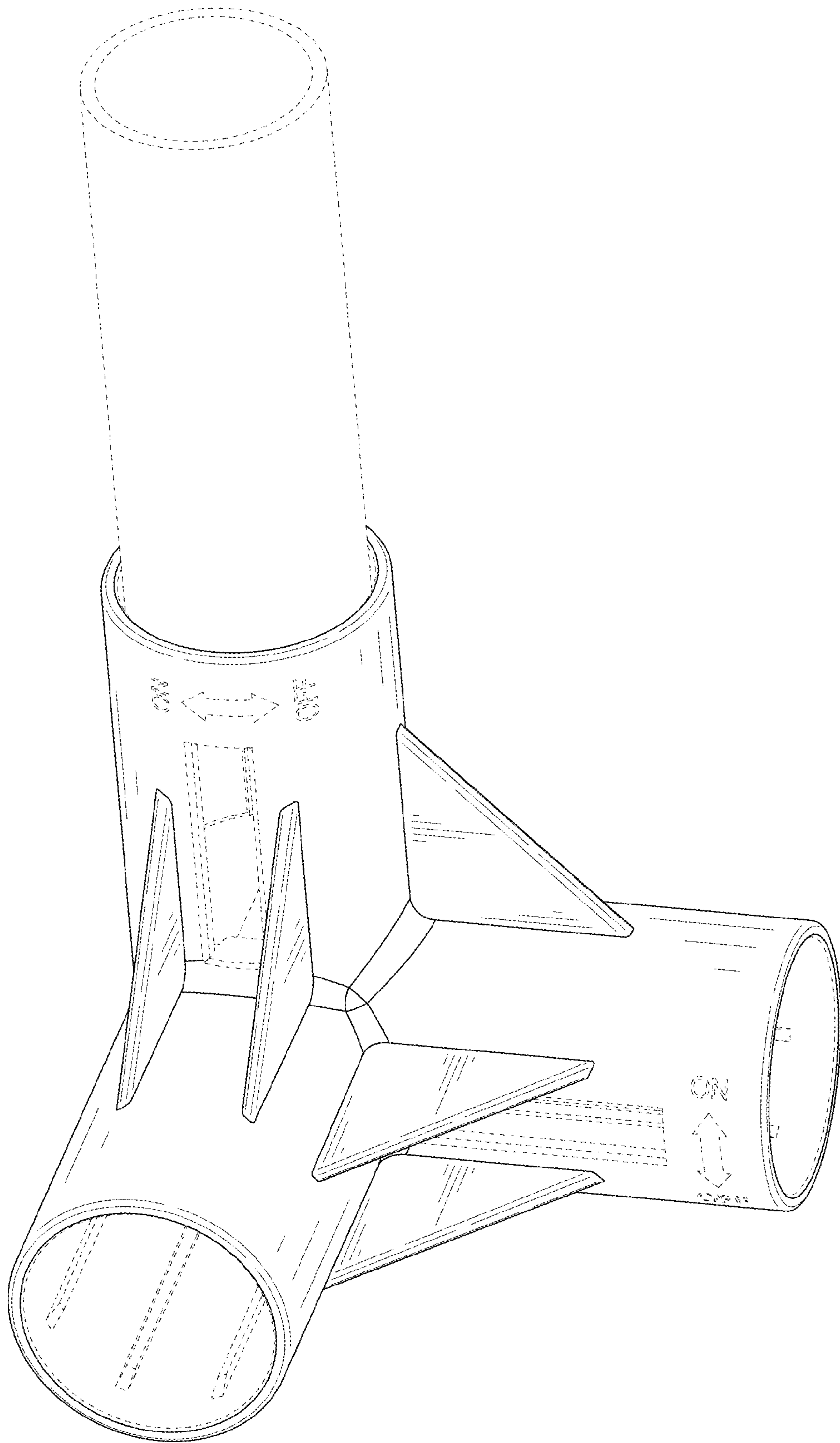


FIG. 9