

US00D926294S

(12) **United States Design Patent** (10) **Patent No.:** **US D926,294 S**
Zhang (45) **Date of Patent:** **** Jul. 27, 2021**

(54) **FAUCET SPOUT**

FOREIGN PATENT DOCUMENTS

(71) Applicant: **Peijian Zhang**, Wenzhou (CN)

CA 180497 * 3/2018
CN 201930138162.5 * 3/2019
IN 248212 * 9/2012

(72) Inventor: **Peijian Zhang**, Wenzhou (CN)

OTHER PUBLICATIONS

(**) Term: **15 Years**

Amazon, Glespee Waterfall Faucet, posted Jul. 21, 2019, [online], [visited Apr. 22, 2021]. Internet, <URL: <https://www.amazon.in/Glespee-Waterfall-Lavatory-Bathroom-Faucets/dp/B07VJ7Y3Q1/ref>> (Year: 2019).*

(21) Appl. No.: **29/709,933**

(22) Filed: **Oct. 18, 2019**

(51) **LOC (13) Cl.** **23-01**

* cited by examiner

(52) **U.S. Cl.**

USPC **D23/255**

(58) **Field of Classification Search**

USPC D23/257, 249, 254, 259, 255, 233, 234,
D23/235, 236, 237, 238, 239, 240, 241,
D23/242, 243, 244, 245, 246, 247, 248,
D23/250, 251, 252, 253, 256

CPC E03C 1/01; E03C 1/0409; E03C 1/025;
E03C 1/0408; Y10T 137/5339; Y10T
137/6014; Y10T 137/6021

See application file for complete search history.

Primary Examiner — Sheryl Lane

Assistant Examiner — Samantha N Wood

(74) *Attorney, Agent, or Firm* — Zhihua Han; Wen IP LLC

(57) **CLAIM**

I claim the ornamental design for a faucet spout, as shown and described.

DESCRIPTION

FIG. 1 is a perspective view of the faucet spout showing my new design;

FIG. 2 is a front elevational view thereof;

FIG. 3 is a rear elevational view thereof;

FIG. 4 is a left side elevational view thereof;

FIG. 5 is a right side elevational view thereof;

FIG. 6 is a top plan view thereof; and,

FIG. 7 is a bottom plan view thereof.

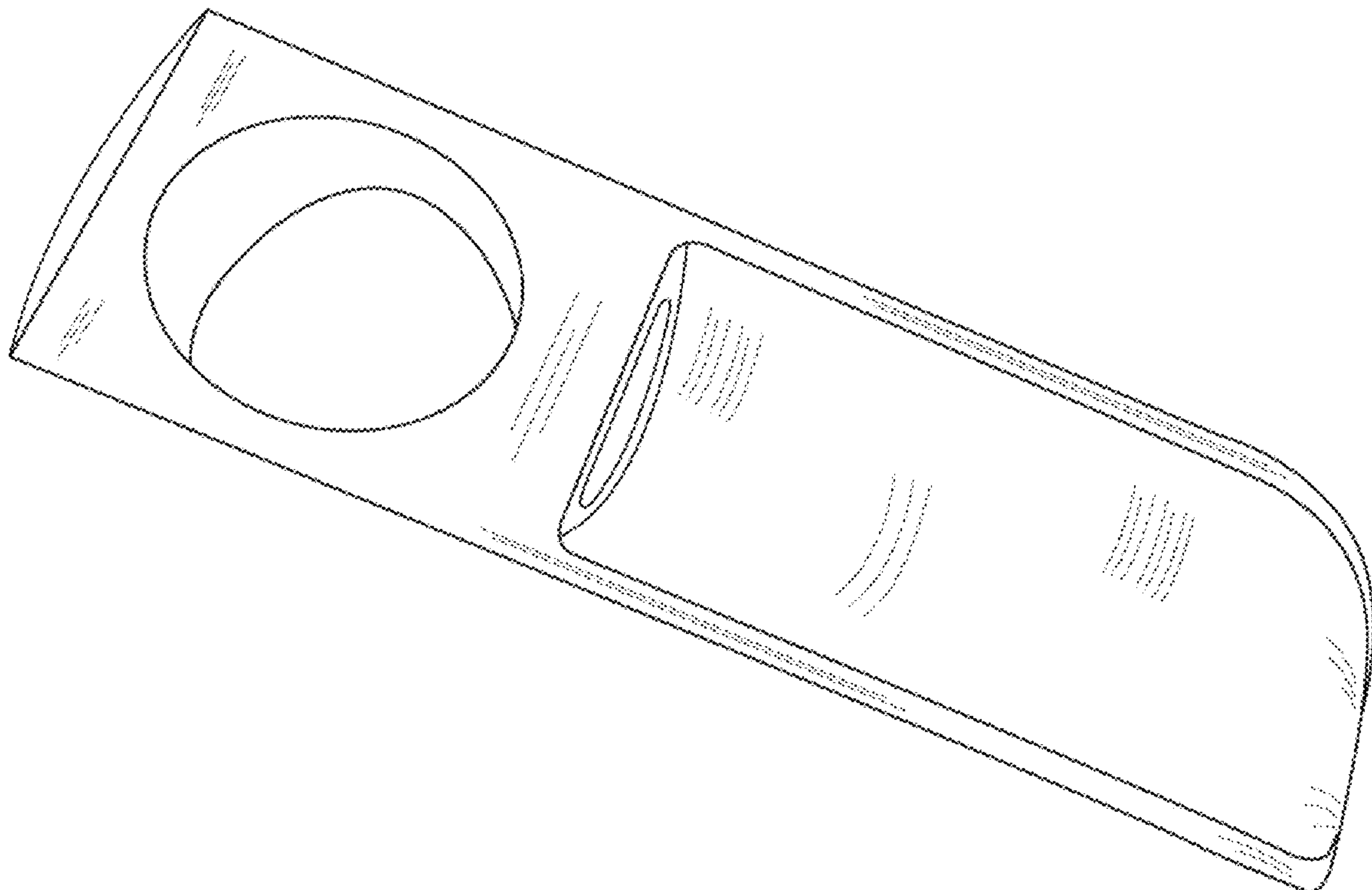
The shade lines in the Figures show contour and not surface ornamentation.

(56) **References Cited**

U.S. PATENT DOCUMENTS

D536,070 S * 1/2007 Gilbert D23/238
D581,030 S * 11/2008 Fritz D23/255
D679,367 S * 4/2013 Kwok D23/255
D720,433 S * 12/2014 Fritz D23/255
D790,667 S * 6/2017 Schaubach D23/252
D839,393 S * 1/2019 Schaubach D23/255

1 Claim, 7 Drawing Sheets



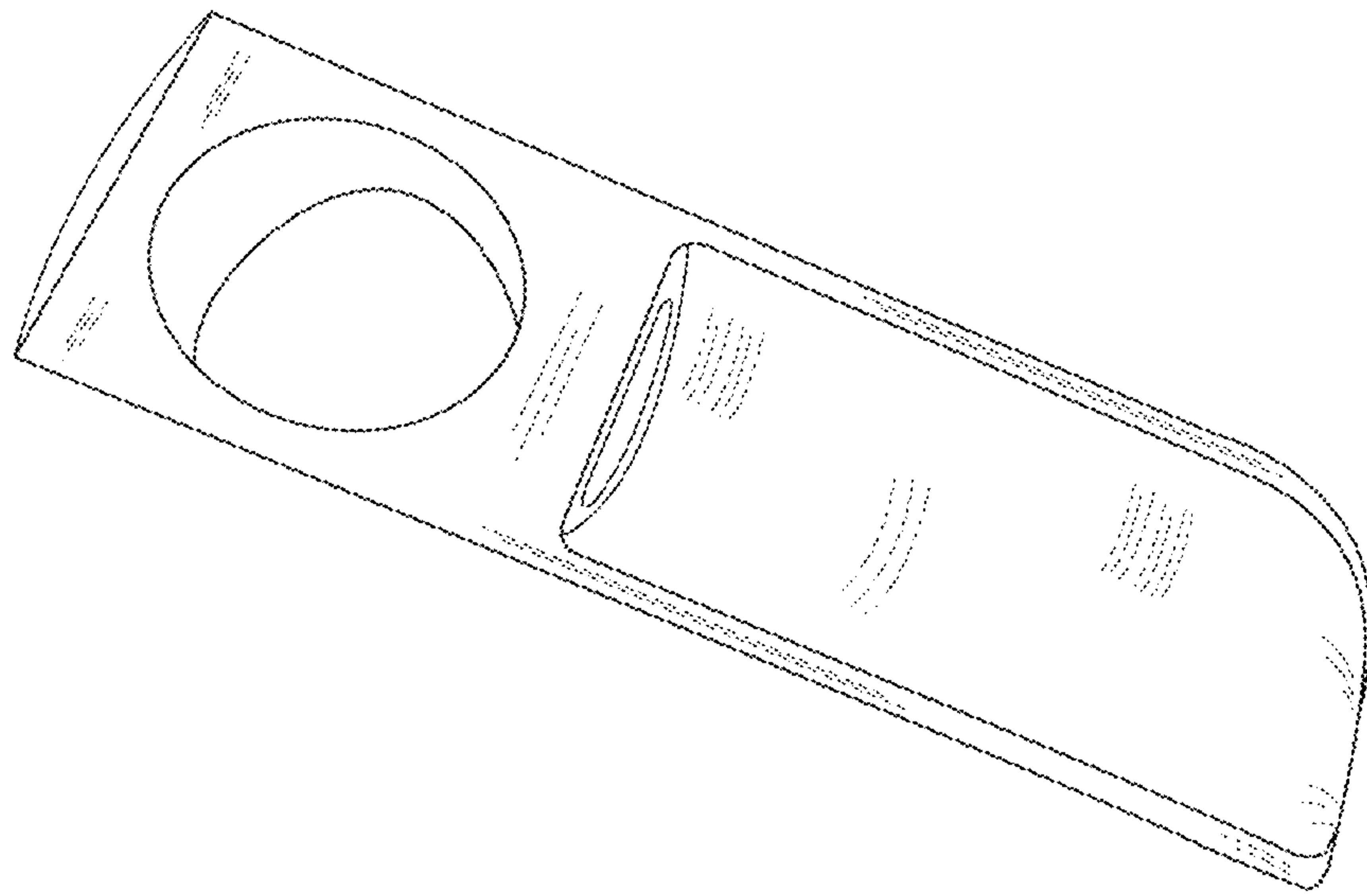


FIG. 1

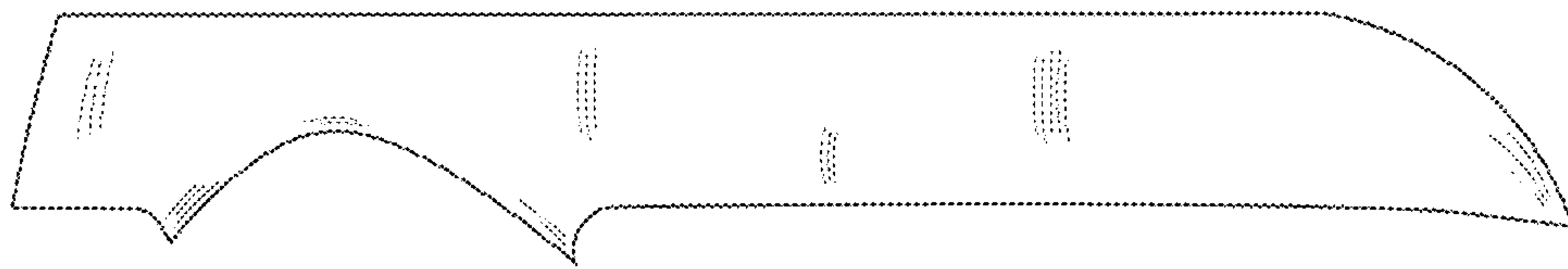


FIG. 2

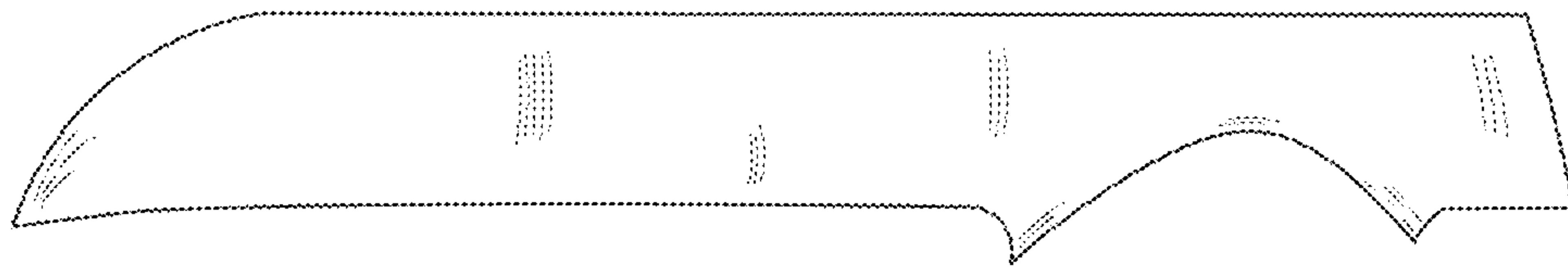


FIG. 3

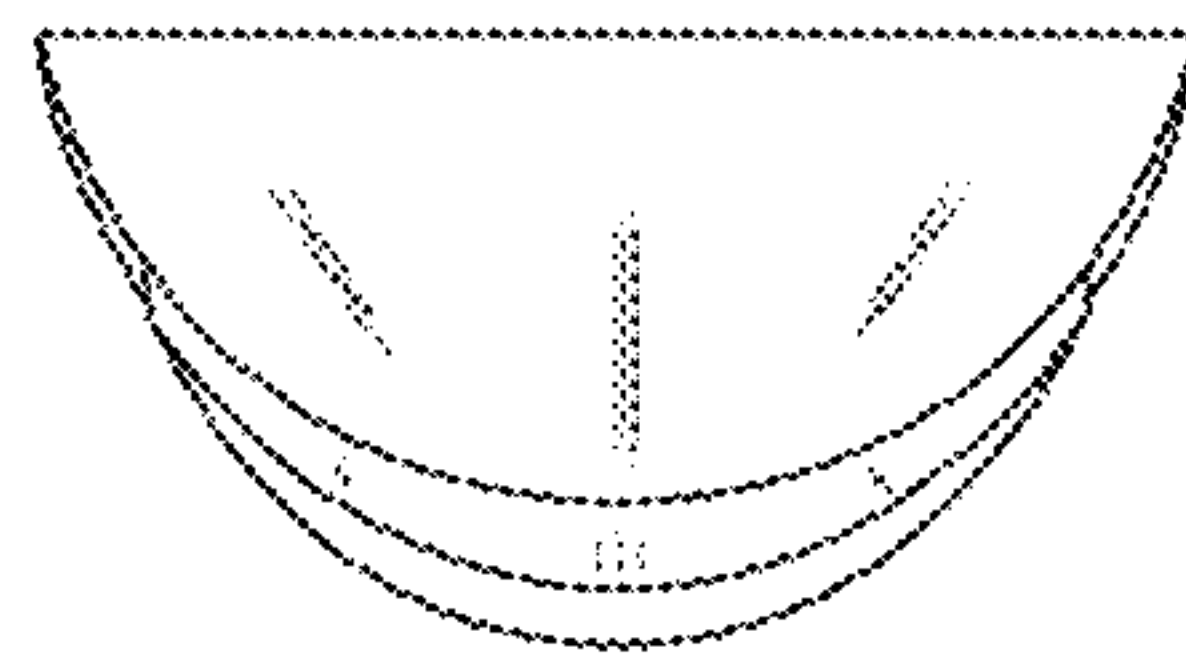


FIG. 4

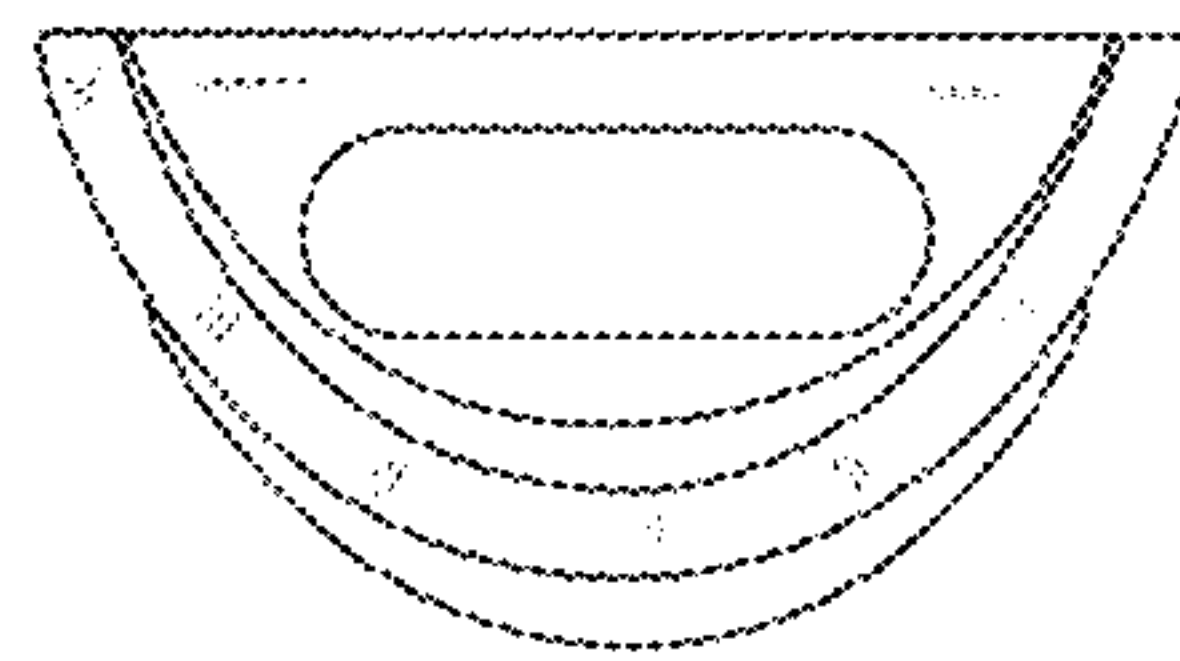


FIG. 5

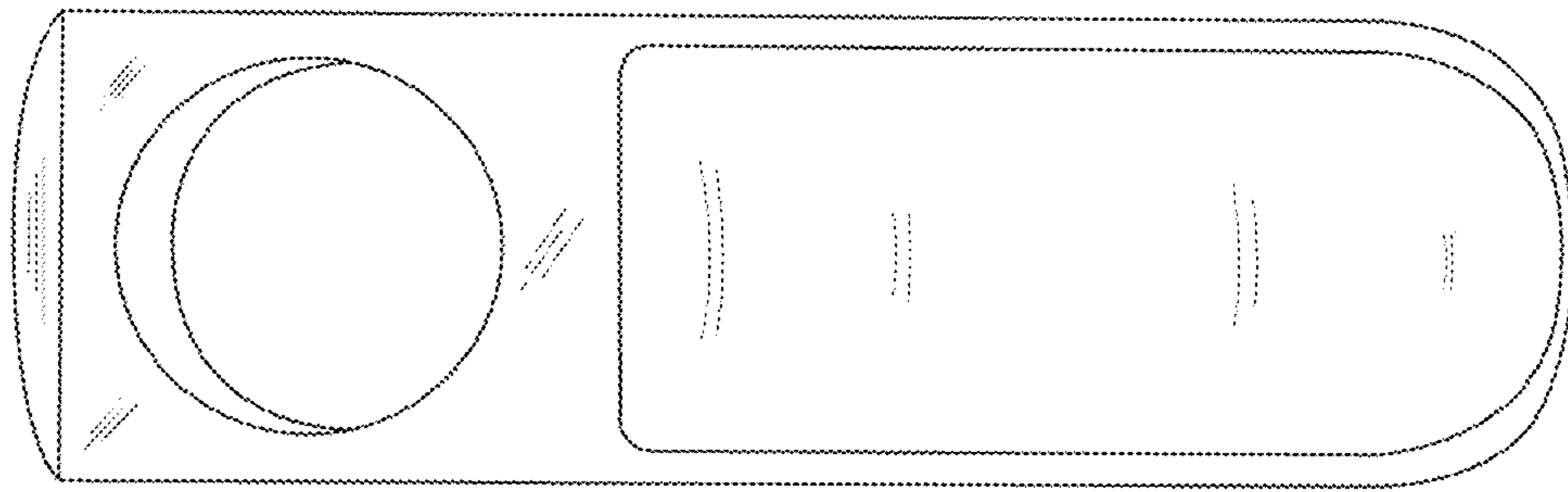


FIG. 6

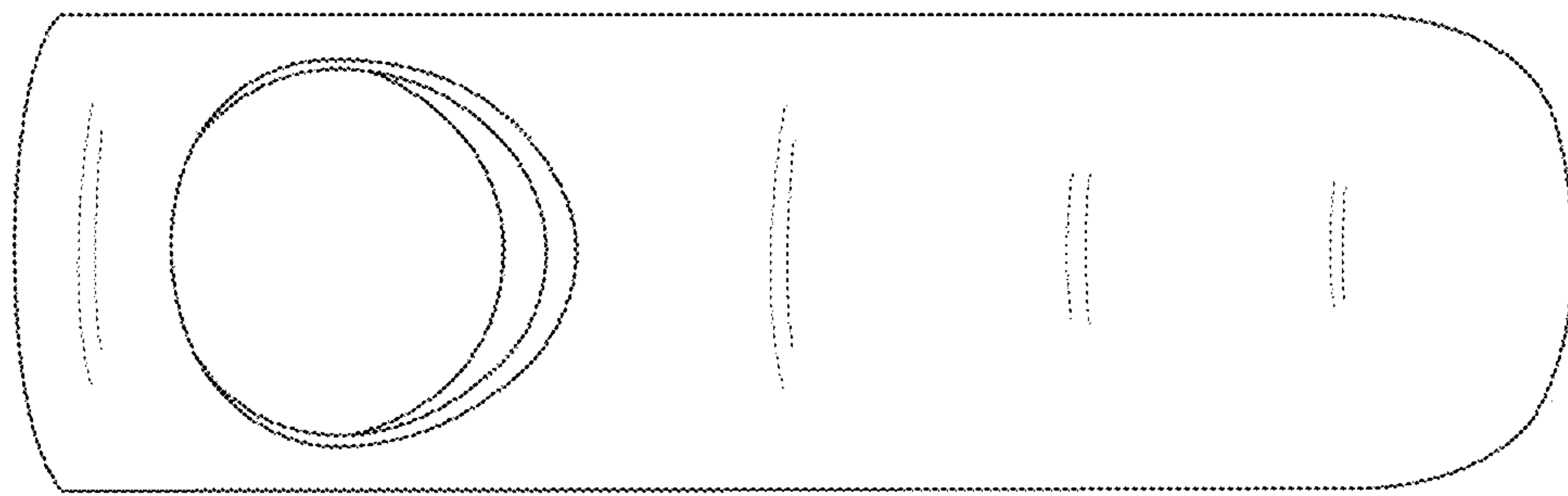


FIG. 7