



US00D926293S

(12) **United States Design Patent** (10) **Patent No.:** **US D926,293 S**  
**Gessi** (45) **Date of Patent:** **\*\* Jul. 27, 2021**

(54) **CONTROL DEVICE FOR LIQUID DISTRIBUTION EQUIPMENT**  
(71) Applicant: **GESSI S.P.A.**, Serravalle Sesia (IT)  
(72) Inventor: **Gian Luca Gessi**, Serravalle Sesia (IT)  
(73) Assignee: **GESSI S.P.A.**  
(\*\*) Term: **15 Years**

D311,920 S *	11/1990	Fuller	.....	D14/257
D534,628 S *	1/2007	Chisenhall	.....	D12/192
D579,519 S *	10/2008	Sieger	.....	D23/238
D704,028 S *	5/2014	Meda	.....	D8/310
D764,028 S *	8/2016	Schoenherr	.....	D23/255
D784,494 S *	4/2017	Wang	.....	D23/239
D813,993 S *	3/2018	Schoenherr	.....	D23/254
D813,994 S *	3/2018	Schoenherr	.....	D23/254
D813,995 S *	3/2018	Schoenherr	.....	D23/254
D816,190 S *	4/2018	Schoenherr	.....	D23/254
D900,854 S *	11/2020	Shah	.....	D14/486
D904,570 S *	12/2020	Soulier	.....	D23/250

(21) Appl. No.: **29/774,487**

\* cited by examiner

(22) Filed: **Mar. 17, 2021**

*Primary Examiner* — Robert A Delehanty

**Related U.S. Application Data**

(74) *Attorney, Agent, or Firm* — Underwood & Associates, LLC

(62) Division of application No. 29/692,722, filed on May 28, 2019.

(30) **Foreign Application Priority Data**

Nov. 29, 2018 (IT) ..... 402018000003345

(51) **LOC (13) Cl.** ..... **23-01**

(52) **U.S. Cl.**  
USPC ..... **D23/254**

(58) **Field of Classification Search**  
USPC ..... D23/250, 252, 254, 238–243, 249;  
D8/307–308, 310, 353; D14/198, 257,  
D14/492, 489; D10/102  
CPC ..... E03C 1/0408; E03C 1/09; E03C 1/042;  
E03C 1/0412  
See application file for complete search history.

(57) **CLAIM**

The ornamental design for a control device for liquid distribution equipment, as shown and described.

**DESCRIPTION**

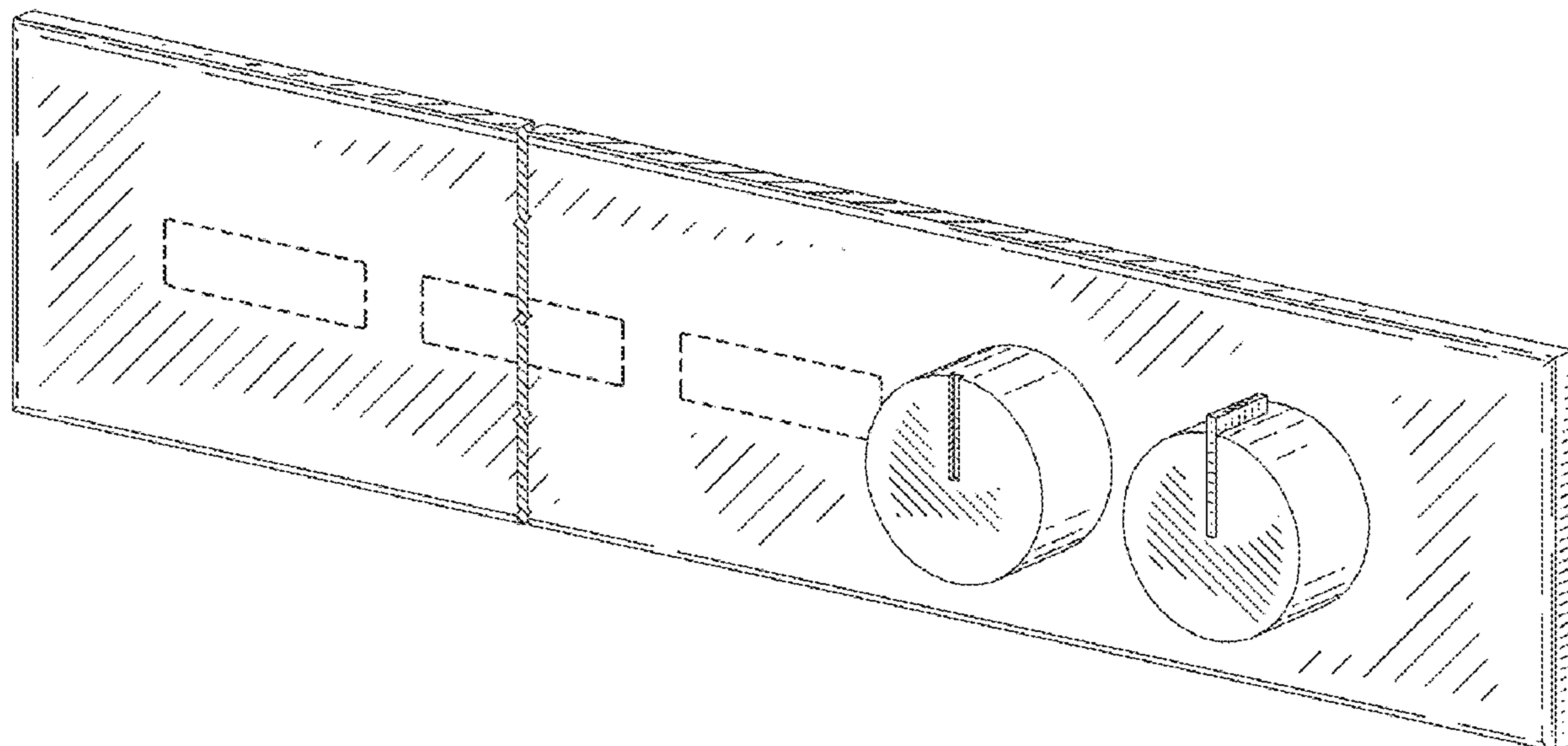
FIG. 1 is a perspective view of a control device for liquid distribution equipment;  
FIG. 2 is a front elevation view thereof;  
FIG. 3 is a right side elevation view thereof;  
FIG. 4 is a left side elevation view thereof;  
FIG. 5 is a top plan view thereof; and,  
FIG. 6 is a bottom plan view thereof.  
The rear side opposite the front side is flat and unornamented. The portions of the control device for liquid distribution equipment shown in broken line forms no part of the claimed design. The appearance of the article between the vertically-running break lines forms no part of the claimed design.

(56) **References Cited**

**U.S. PATENT DOCUMENTS**

D226,009 S *	1/1973	Tominaga	.....	D14/198
D269,434 S *	6/1983	Nagele	.....	D14/258

**1 Claim, 6 Drawing Sheets**



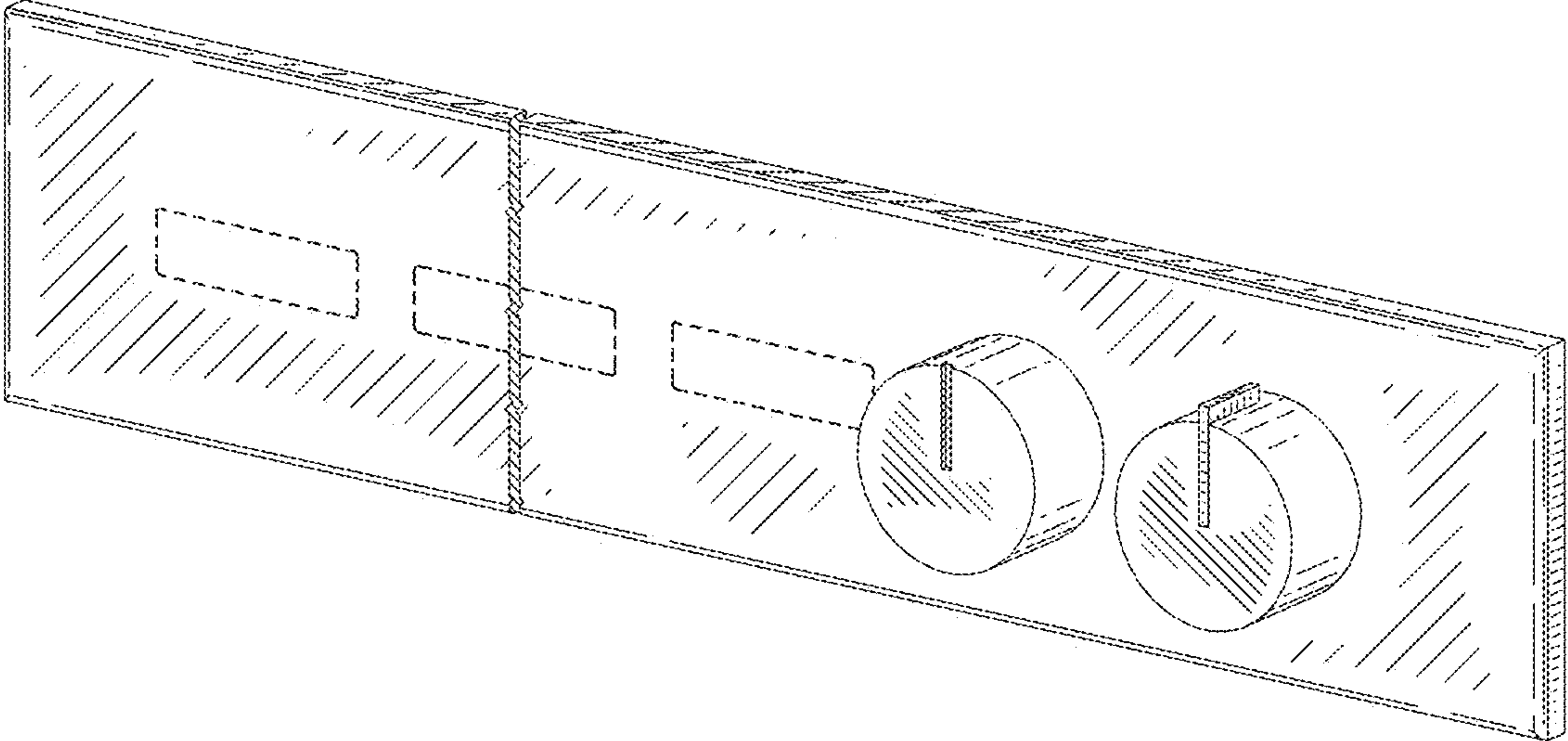


FIG.1

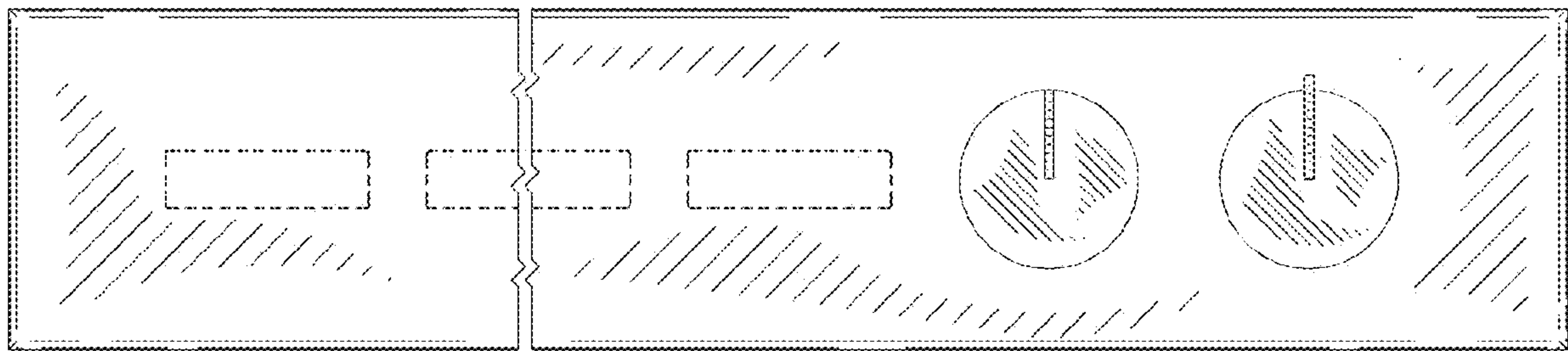


FIG.2

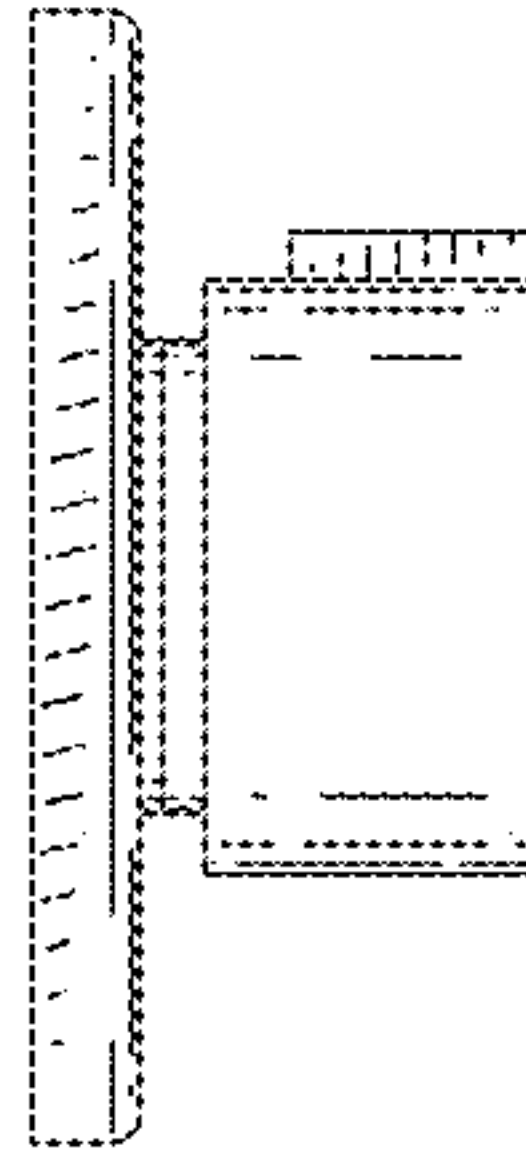


FIG.3

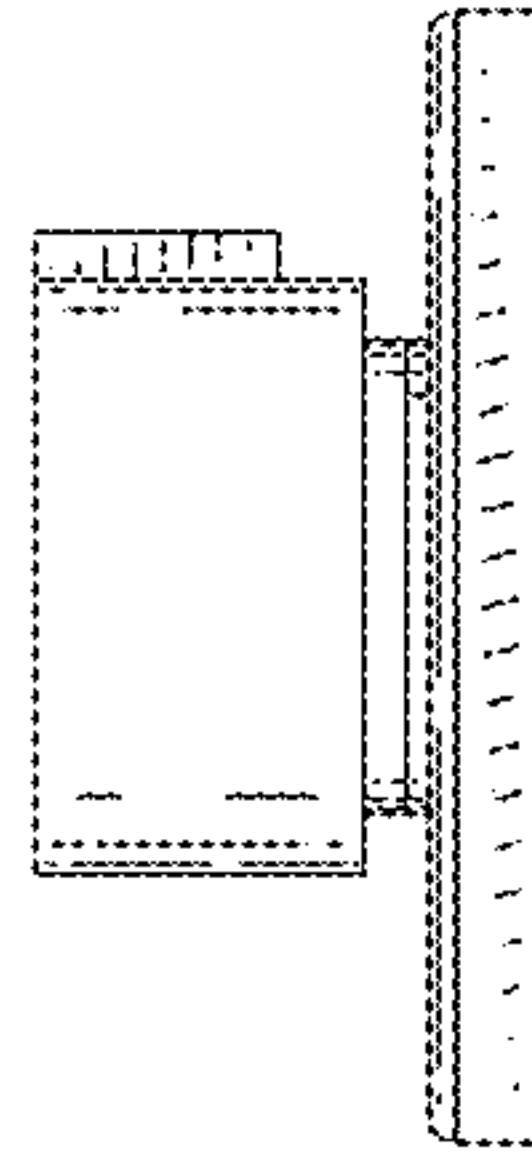


FIG.4

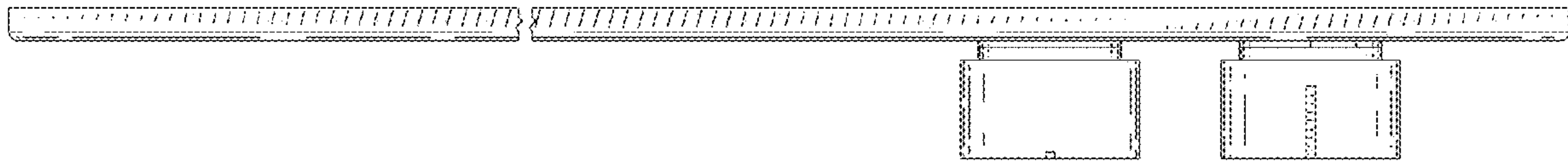


FIG.5

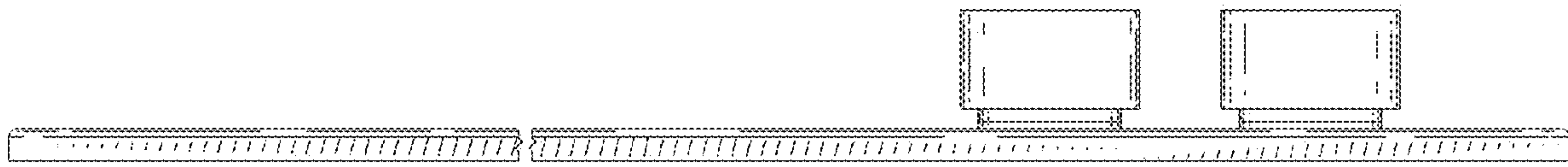


FIG.6