



US00D926291S

(12) **United States Design Patent**  
**Spangler et al.**

(10) **Patent No.:** **US D926,291 S**

(45) **Date of Patent:** **\*\* Jul. 27, 2021**

(54) **FAUCET**

(71) Applicant: **DELTA FAUCET COMPANY,**  
Indianapolis, IN (US)

(72) Inventors: **Anthony G. Spangler,** Indianapolis, IN  
(US); **Alejandra Lazarini,** Carmel, IN  
(US)

(73) Assignee: **DELTA FAUCET COMPANY,**  
Indianapolis, IN (US)

(\*\*) Term: **15 Years**

(21) Appl. No.: **29/693,270**

(22) Filed: **May 31, 2019**

(51) **LOC (13) Cl.** ..... **23-01**

(52) **U.S. Cl.**  
USPC ..... **D23/242**

(58) **Field of Classification Search**  
USPC ..... D23/250–254, 238–243; D8/307–308  
See application file for complete search history.

(56) **References Cited**

**U.S. PATENT DOCUMENTS**

D325,773 S	*	4/1992	Paul	.....	D23/255
D515,671 S	*	2/2006	Toyohara	.....	D23/241
D533,639 S	*	12/2006	Hoernig	.....	D23/242
D621,478 S	*	8/2010	Kulig	.....	D23/242

D648,828 S	*	11/2011	Meyer	.....	D23/252
D667,084 S	*	9/2012	Berger	.....	D23/238
D836,946 S	*	1/2019	Rutgers	.....	D6/549
D859,597 S	*	9/2019	Eads	.....	D23/252
D881,347 S	*	4/2020	Lazarini	.....	D23/252
D883,448 S	*	5/2020	Massaud	.....	D23/255
D893,679 S	*	8/2020	Park	.....	D23/252
D895,069 S	*	9/2020	Zhang	.....	D23/238
D898,872 S	*	10/2020	Massaud	.....	D23/242

\* cited by examiner

*Primary Examiner* — Robert A Delehanty

(74) *Attorney, Agent, or Firm* — Nirav D. Parikh; Edgar  
A. Zarins

(57) **CLAIM**

The ornamental design for a faucet, as shown and described.

**DESCRIPTION**

FIG. 1 is a front perspective view of a faucet showing our  
new design;

FIG. 2 is a rear perspective view thereof;

FIG. 3 is a front elevational view thereof;

FIG. 4 is a left side view thereof;

FIG. 5 is a rear view thereof;

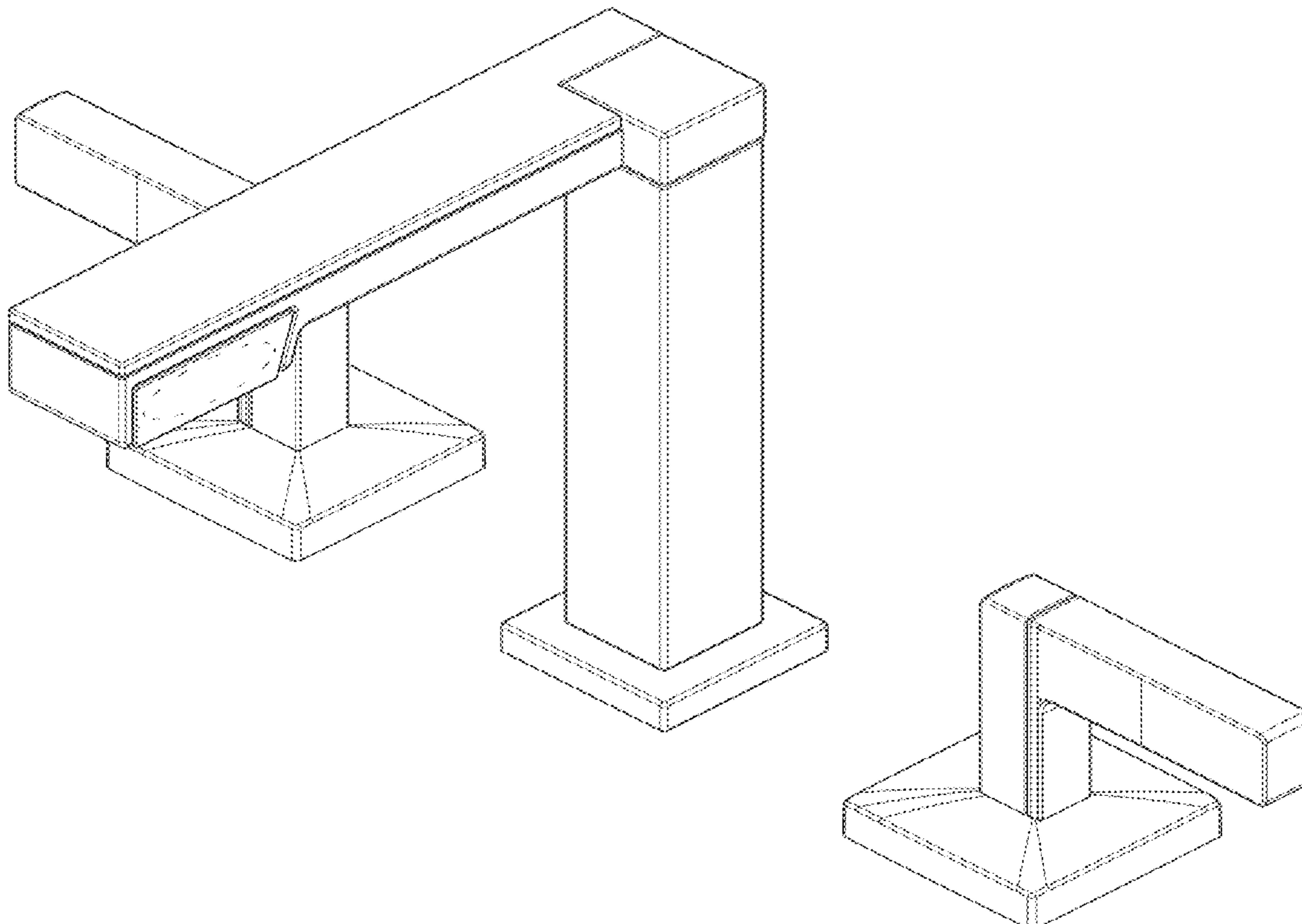
FIG. 6 is a right side view thereof;

FIG. 7 is a top plan view thereof; and,

FIG. 8 is a bottom view.

The broken lines represent portions of a faucet and form no  
part of the claimed design.

**1 Claim, 4 Drawing Sheets**



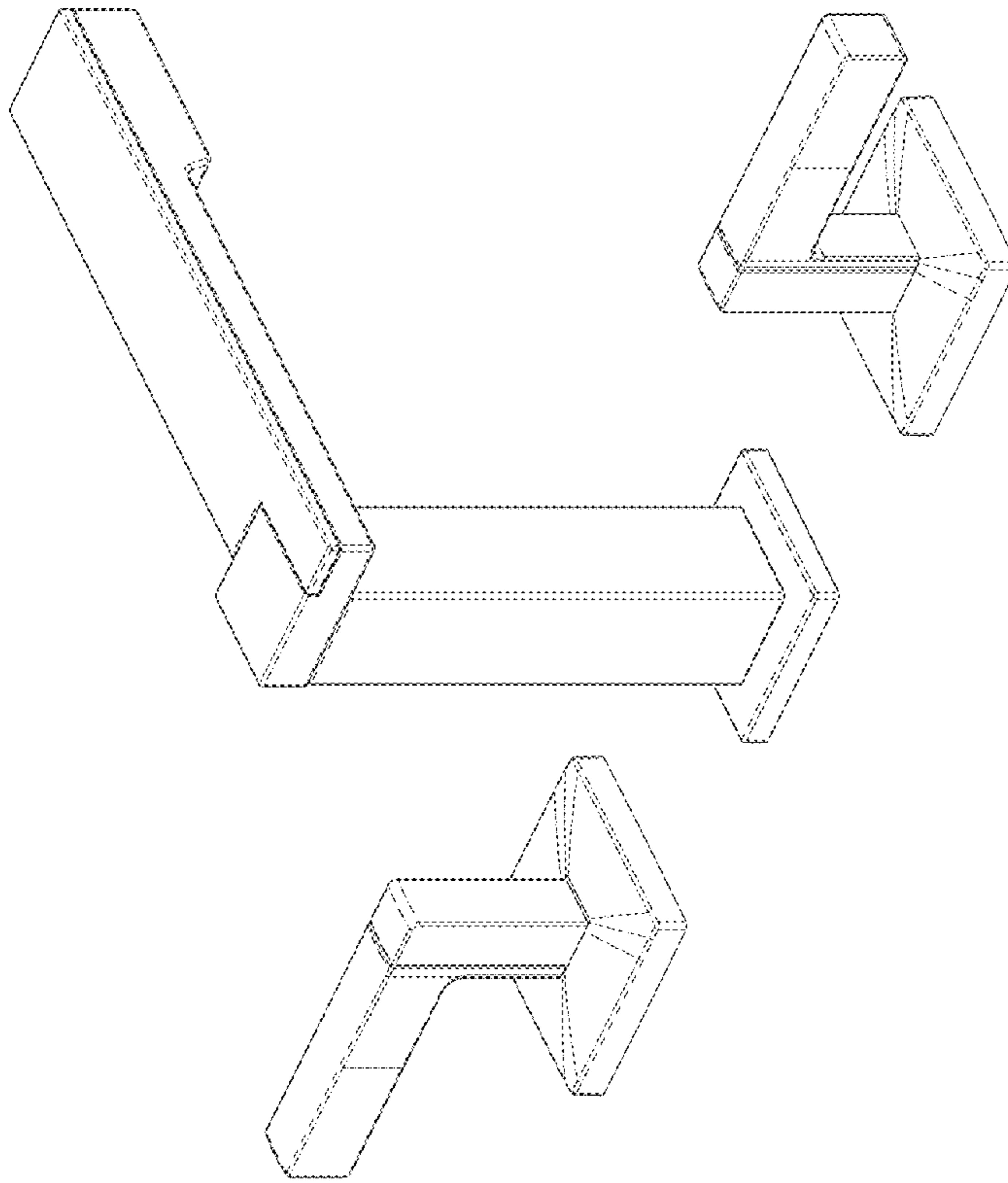


FIG-2

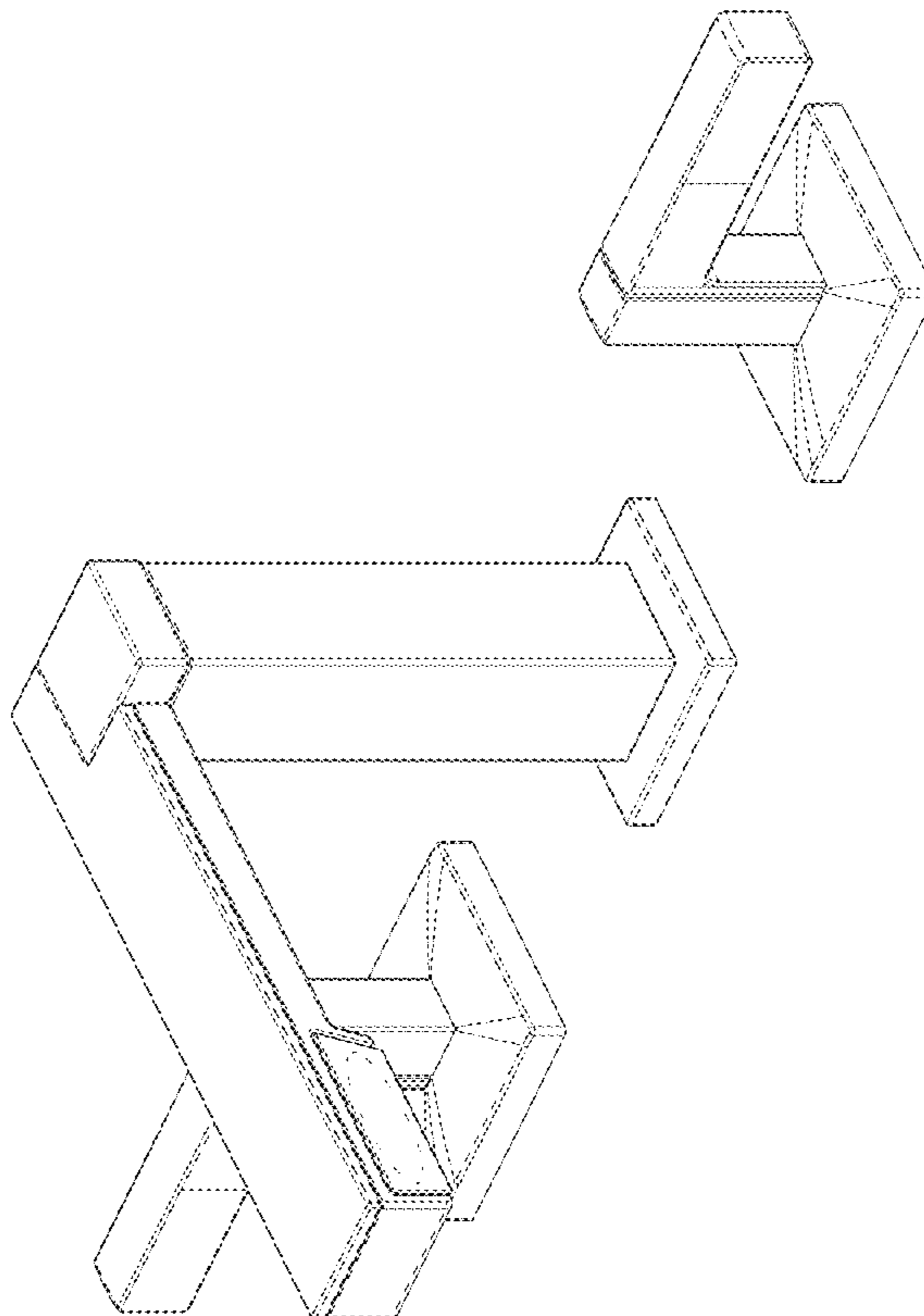


FIG-1

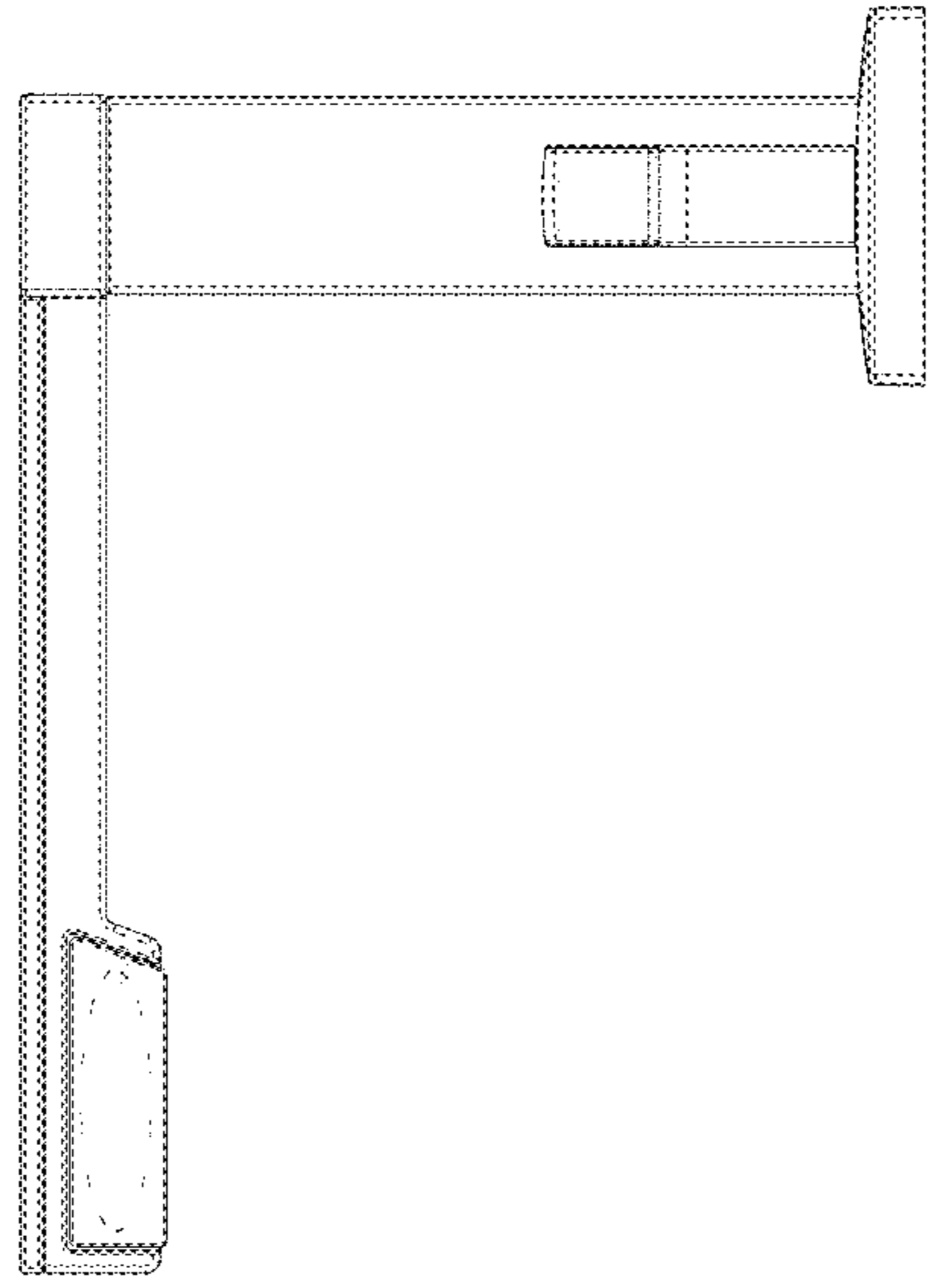


FIG-4

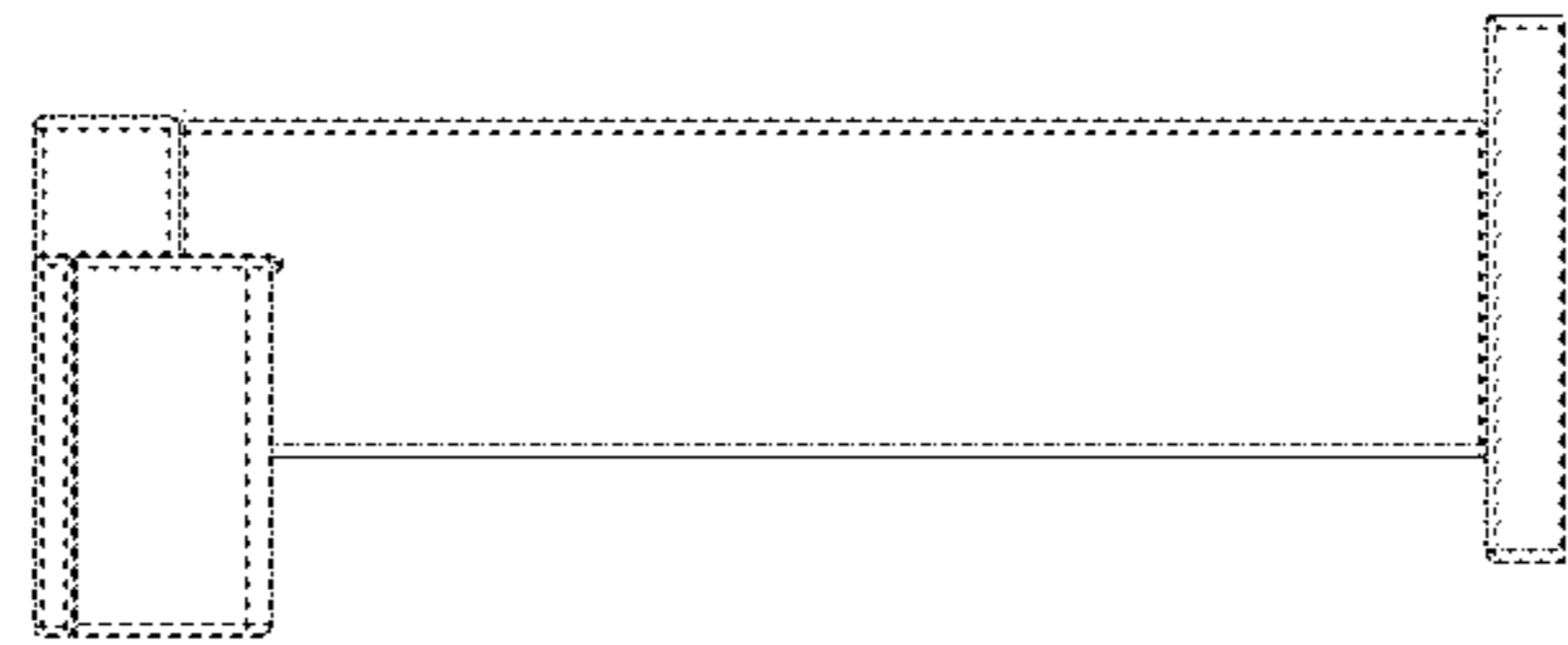
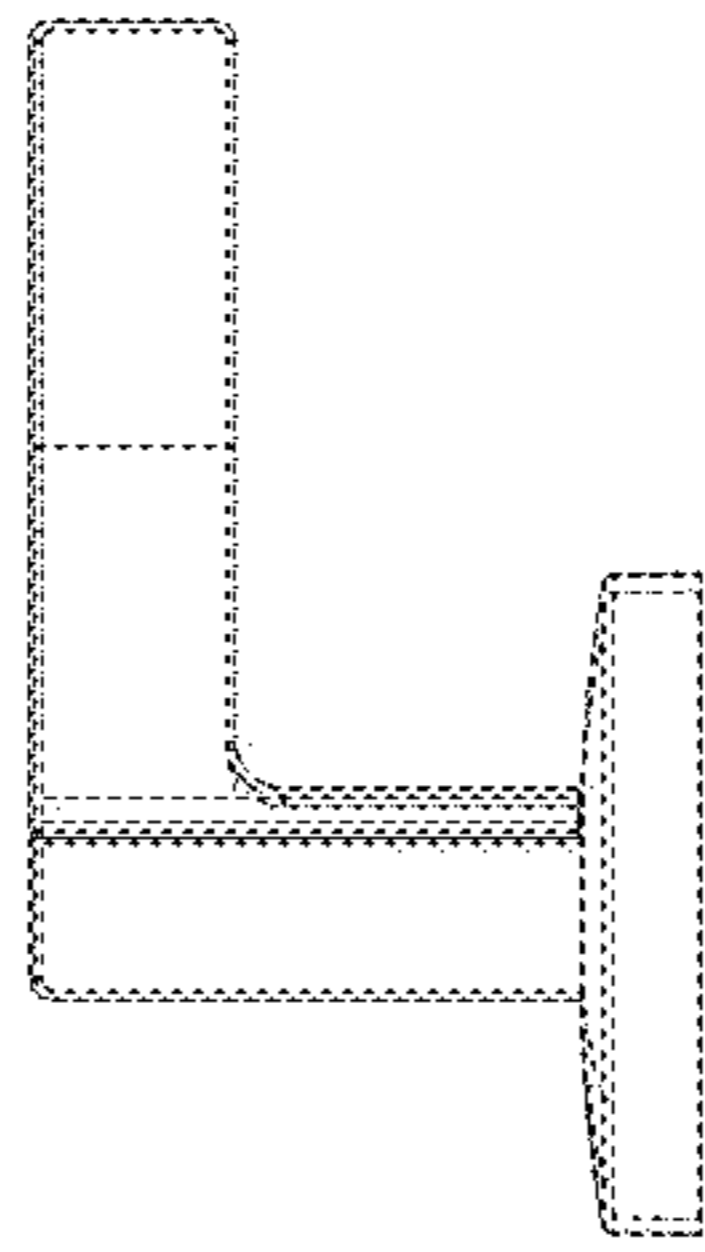
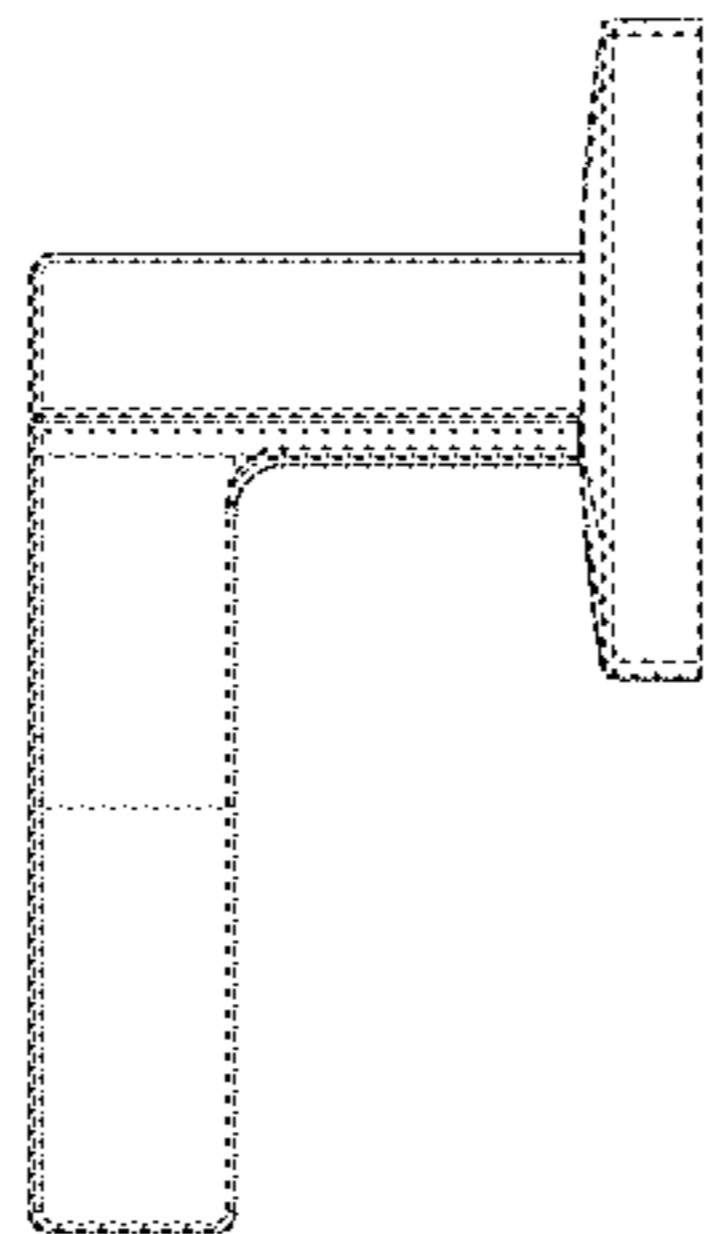


FIG-3



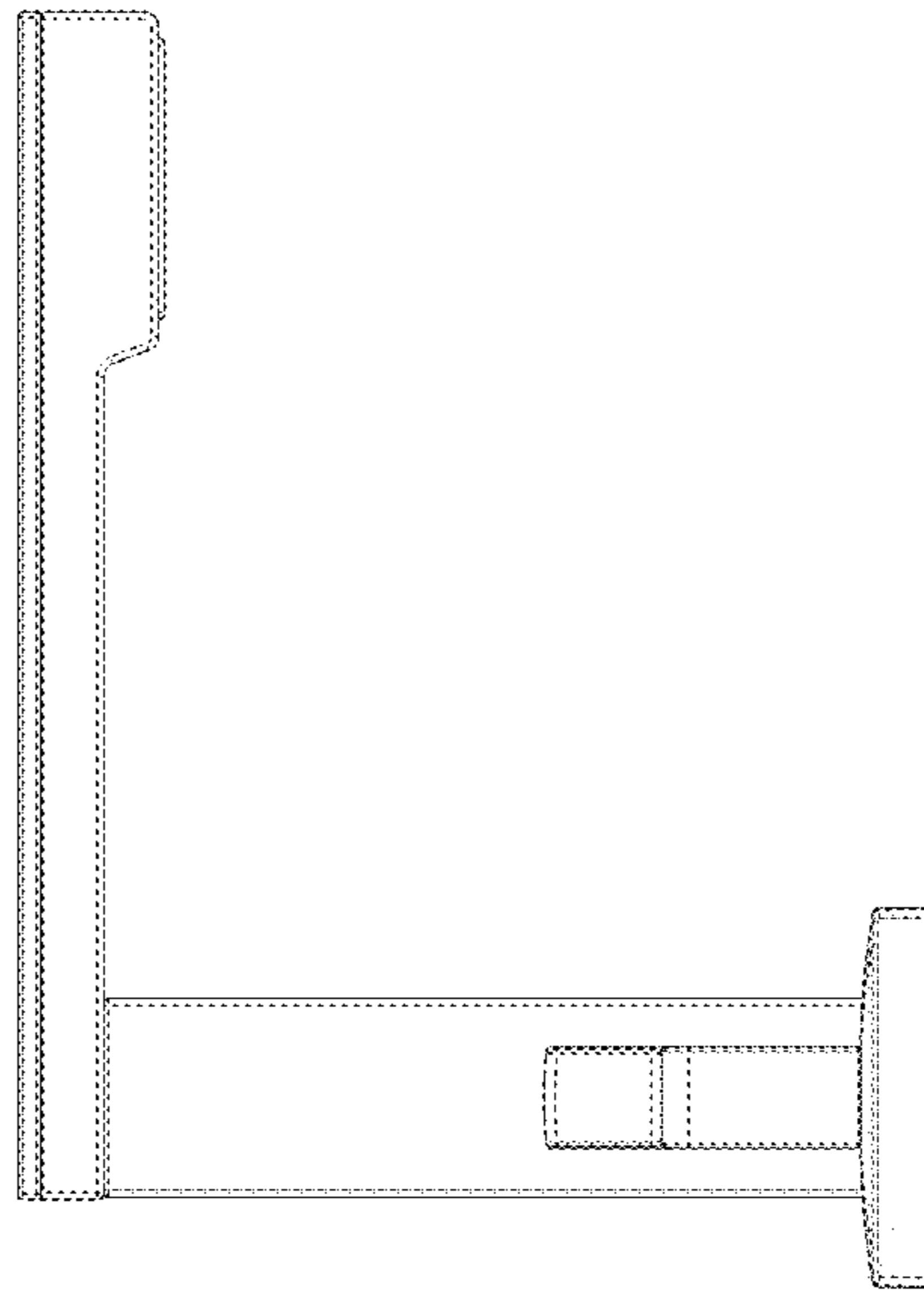


FIG-6

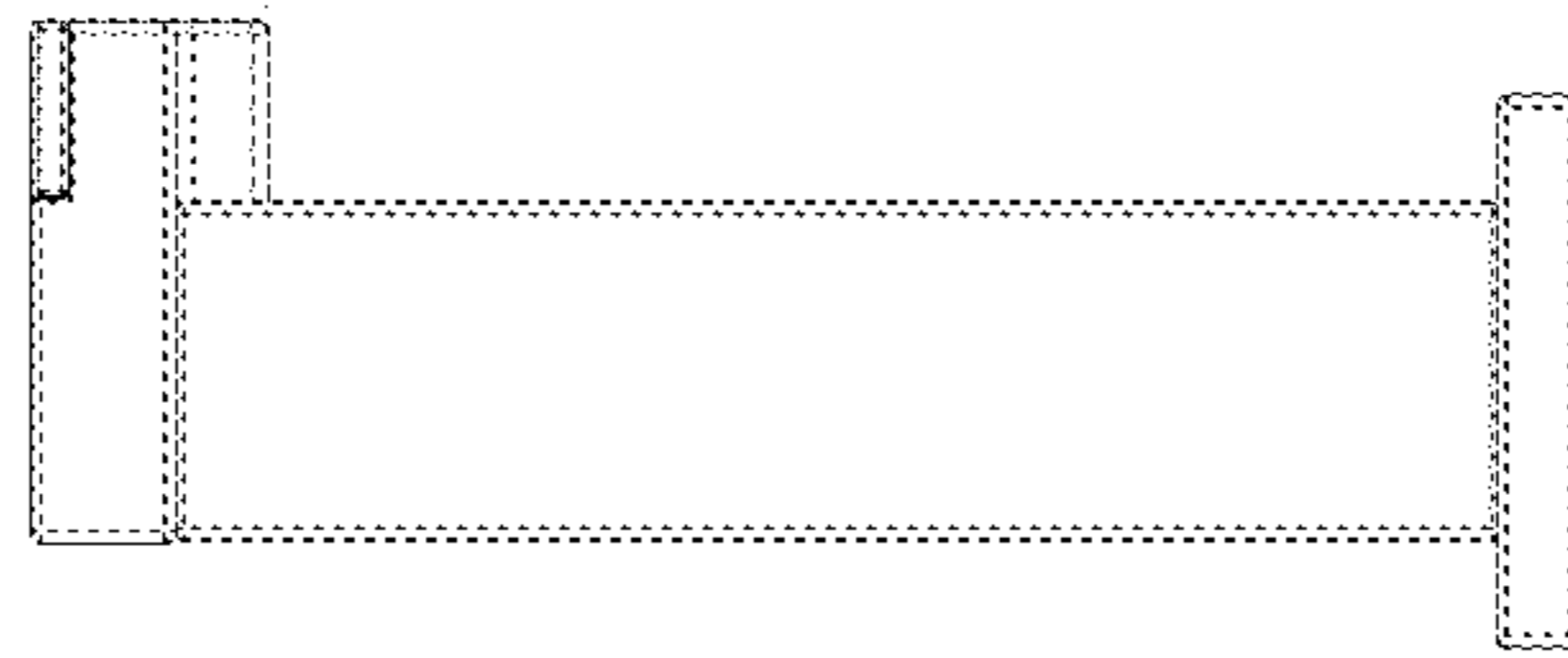
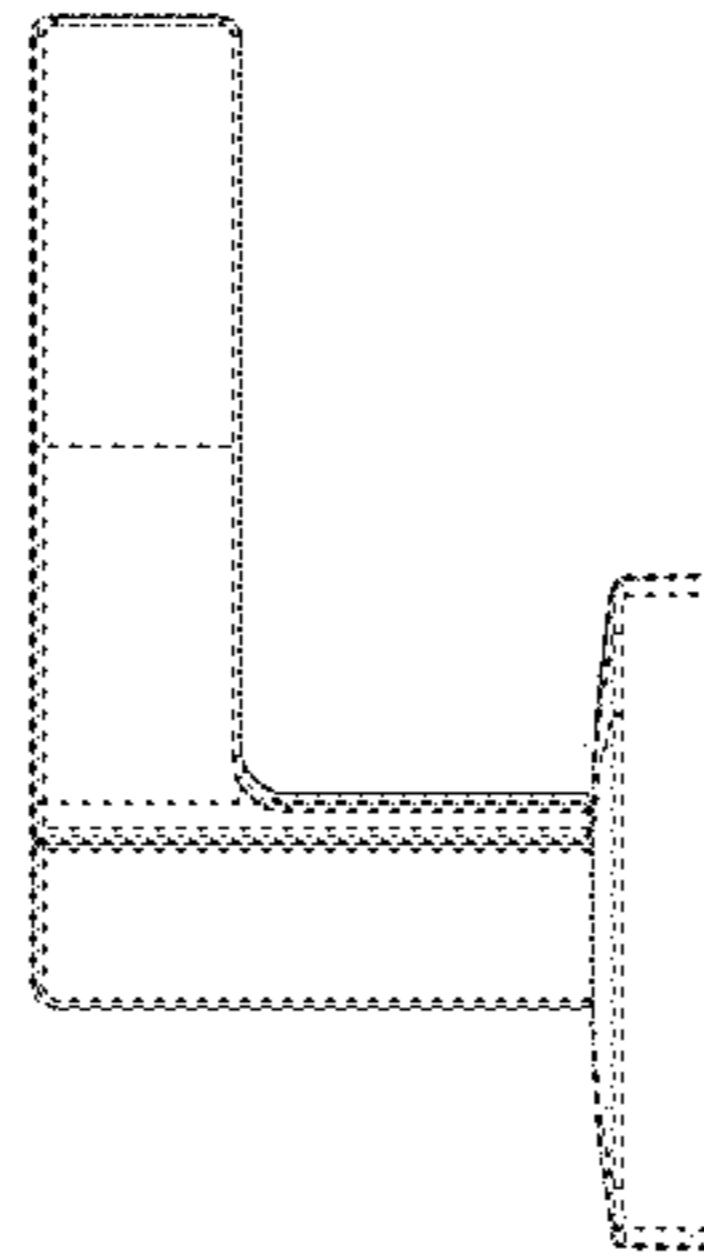
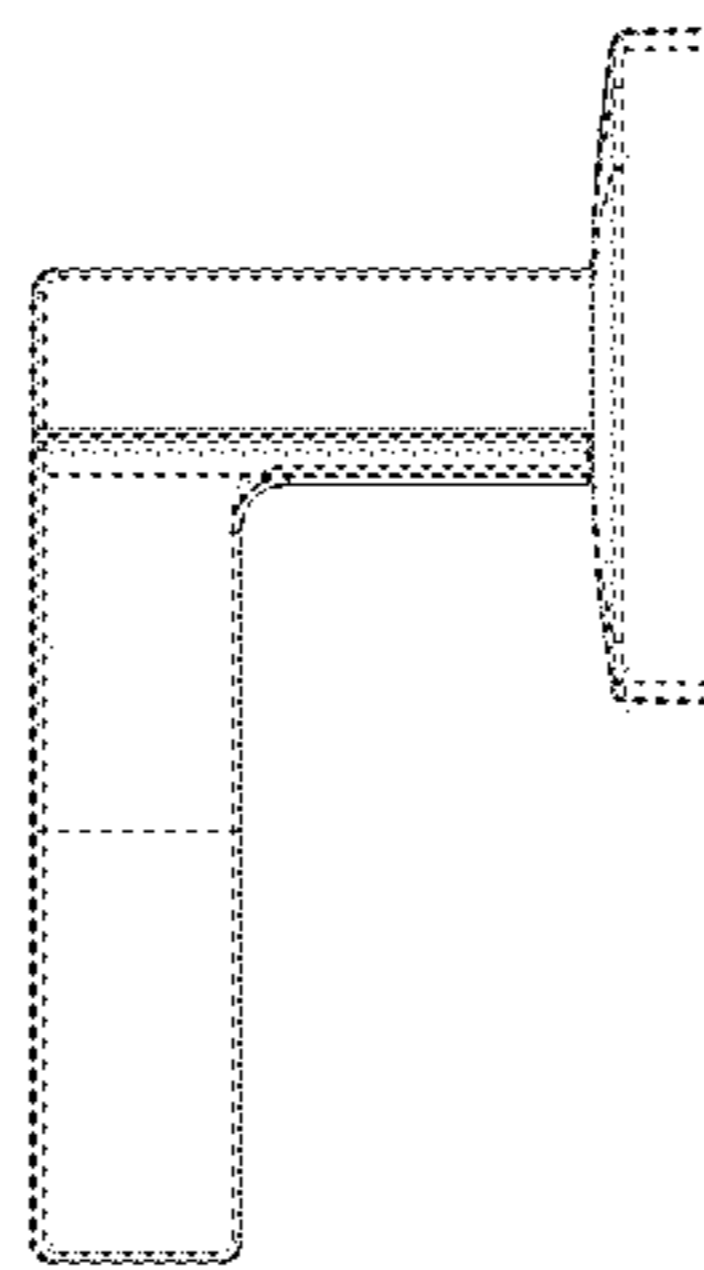


FIG-5



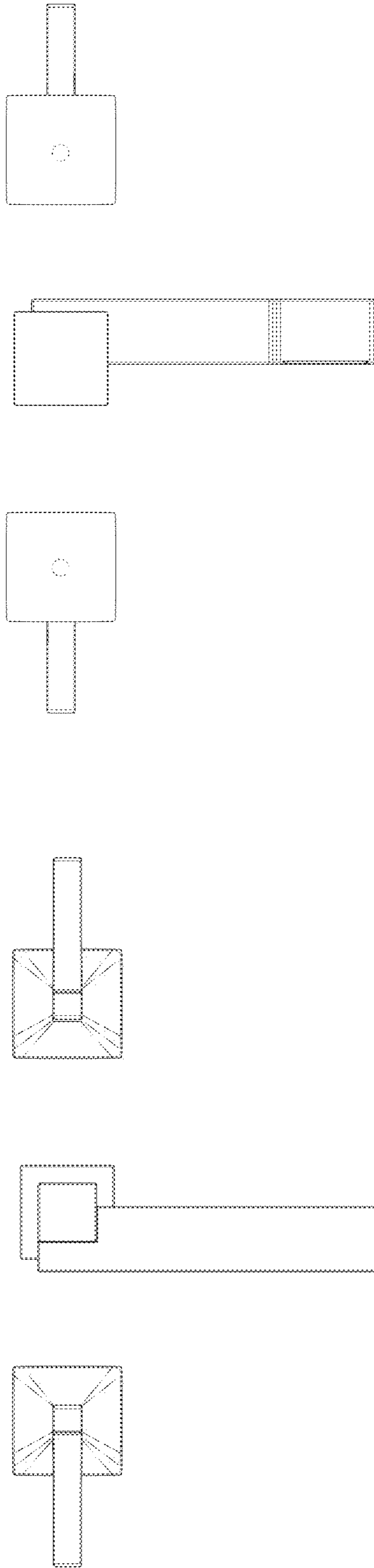


FIG-8

FIG-7