



US00D926290S

(12) **United States Design Patent**  
**Li et al.**

(10) **Patent No.:** **US D926,290 S**  
(45) **Date of Patent:** **\*\* Jul. 27, 2021**

(54) **SHOWER SPRAY**

(71) Applicant: **Xiamen Unionta Industrial Co., Ltd.**,  
Xiamen (CN)

(72) Inventors: **Zhenyin Li**, Xiamen (CN); **Xueping Hou**, Xiamen (CN); **Chuanli Xu**, Xiamen (CN); **Zekai Xu**, Xiamen (CN)

(73) Assignee: **Xiamen Unionta Industrial Co., Ltd.**,  
Xiamen (CN)

(\*\*) Term: **15 Years**

(21) Appl. No.: **29/710,562**

(22) Filed: **Oct. 24, 2019**

(30) **Foreign Application Priority Data**

Aug. 22, 2019 (CN) ..... 201930457982.0

(51) **LOC (13) Cl.** ..... **23-01**

(52) **U.S. Cl.**  
USPC ..... **D23/226**

(58) **Field of Classification Search**  
USPC ..... D23/213, 223, 226, 228, 229, 230, 238,  
D23/239, 240, 241, 249  
CPC ..... B05B 1/16; B05B 1/1618; B05B 1/18;  
B05B 1/185; E03C 1/0405; E03C 1/06;  
E03C 1/063; E03C 1/066; E03C 1/084;  
E03C 2001/0415

See application file for complete search history.

(56) **References Cited**

**U.S. PATENT DOCUMENTS**

D253,069 S \* 10/1979 Ogilvie ..... D23/223  
4,662,768 A \* 5/1987 Gottwald ..... E03C 1/0404  
401/139  
D291,116 S \* 7/1987 Haug ..... D23/255  
D318,517 S \* 7/1991 Stairs, Jr. .... D23/213  
D360,678 S \* 7/1995 Mine ..... D23/238

D512,133 S \* 11/2005 Kosasih ..... D23/255  
D524,907 S \* 7/2006 Bosch ..... D23/223  
D532,078 S \* 11/2006 Bosio ..... D23/226  
D533,252 S \* 12/2006 Bosio ..... D23/226  
D555,764 S \* 11/2007 Bosio ..... D23/223  
D555,765 S \* 11/2007 Bosio ..... D23/223  
D560,754 S \* 1/2008 Nobili ..... D23/223  
D568,440 S \* 5/2008 Pan ..... D23/223  
D624,988 S \* 10/2010 Lammel ..... D23/238  
D735,841 S \* 8/2015 Obara ..... D23/313  
D761,936 S \* 7/2016 Flowers ..... D23/223  
D806,211 S \* 12/2017 Bahler ..... D23/223  
D903,059 S \* 11/2020 Seum ..... D23/257

(Continued)

**OTHER PUBLICATIONS**

“AZOS FXQ019” Apr. 16, 2016, Amazon, site visited Apr. 5, 2021:  
<https://www.amazon.ca/dp/B01ECE6SAA/> (Year: 2016).\*

(Continued)

*Primary Examiner* — Jack Reickel

*Assistant Examiner* — Bobby W Jones, II

(74) *Attorney, Agent, or Firm* — Westbridge IP LLC

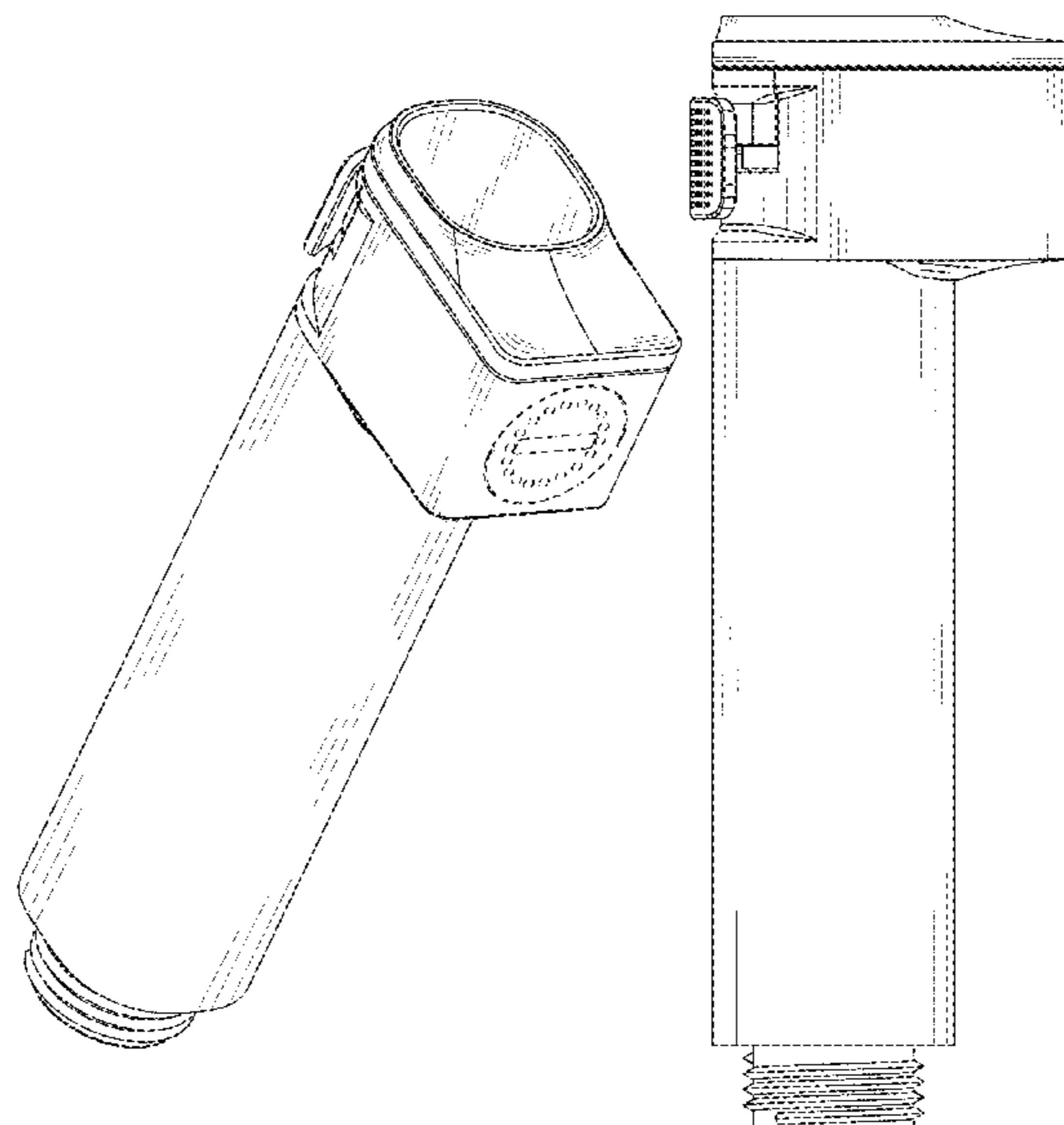
(57) **CLAIM**

The ornamental design for a shower spray, as shown and described.

**DESCRIPTION**

FIG. 1 is a perspective view of a shower spray showing our new design;  
FIG. 2 is a front elevational view thereof;  
FIG. 3 is a rear elevational view thereof;  
FIG. 4 is a left side view thereof;  
FIG. 5 is a right side view thereof;  
FIG. 6 is a top plan view; and,  
FIG. 7 is a bottom plan view thereof.  
The broken lines in the drawings show portions of the shower spray that form no part of the claimed design.

**1 Claim, 7 Drawing Sheets**



(56)

**References Cited**

U.S. PATENT DOCUMENTS

2009/0200401 A1\* 8/2009 Esche ..... B05B 12/002  
239/525  
2010/0084487 A1\* 4/2010 Gautschi ..... B05B 1/24  
239/97  
2010/0092231 A1\* 4/2010 Kao ..... B05B 7/0408  
401/268

OTHER PUBLICATIONS

“Hoxiya USPQ06”, Mar. 21, 2020, Amazon, site visited Apr. 5,  
2021: <https://www.amazon.ca/dp/B0865JNMRB/> (Year: 2020).\*

\* cited by examiner

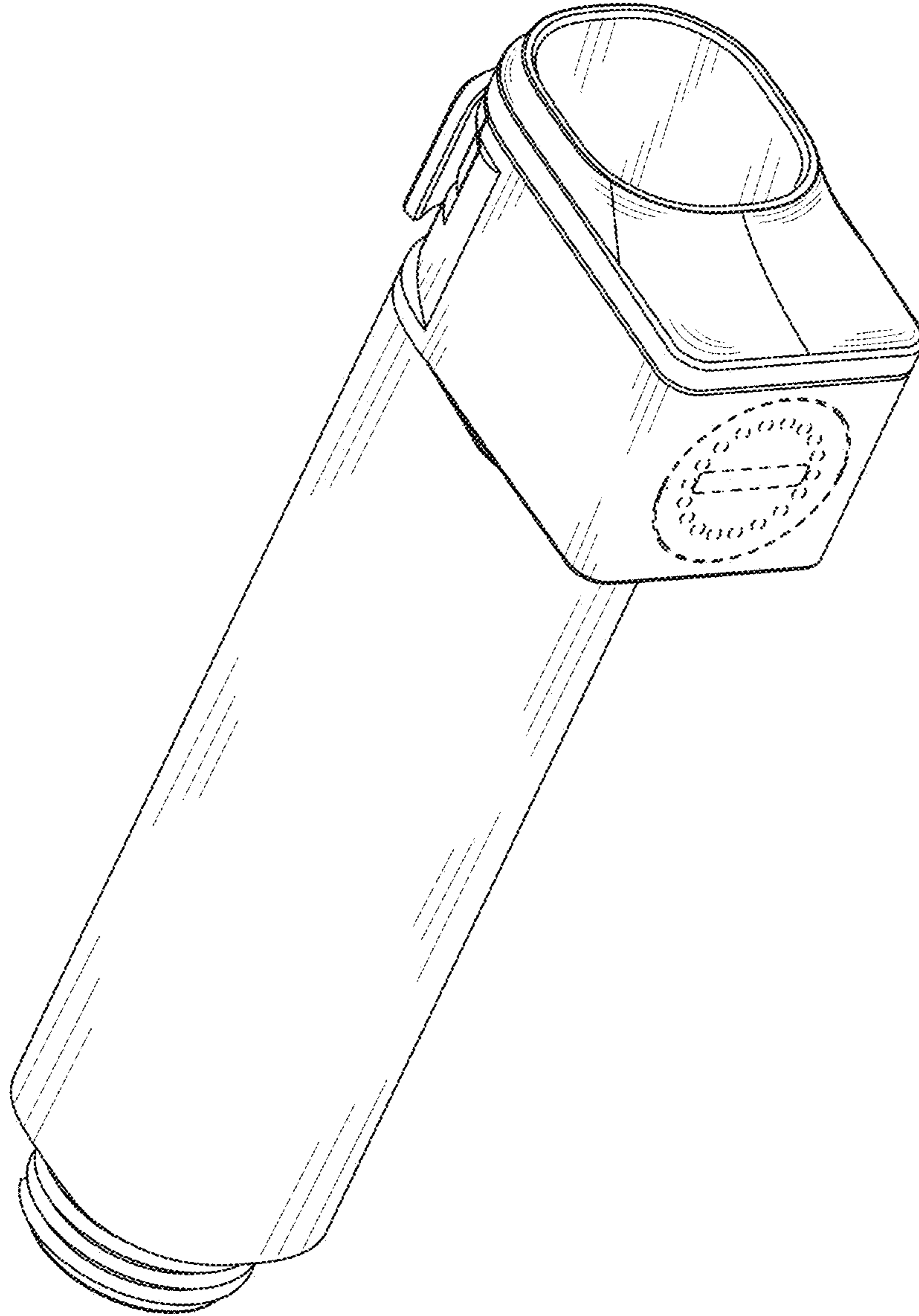


Fig. 1

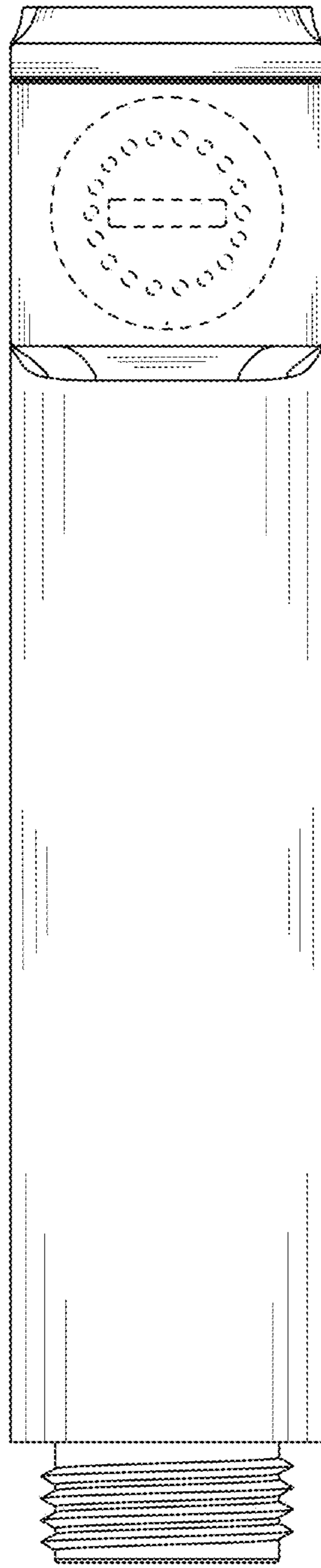


Fig. 2

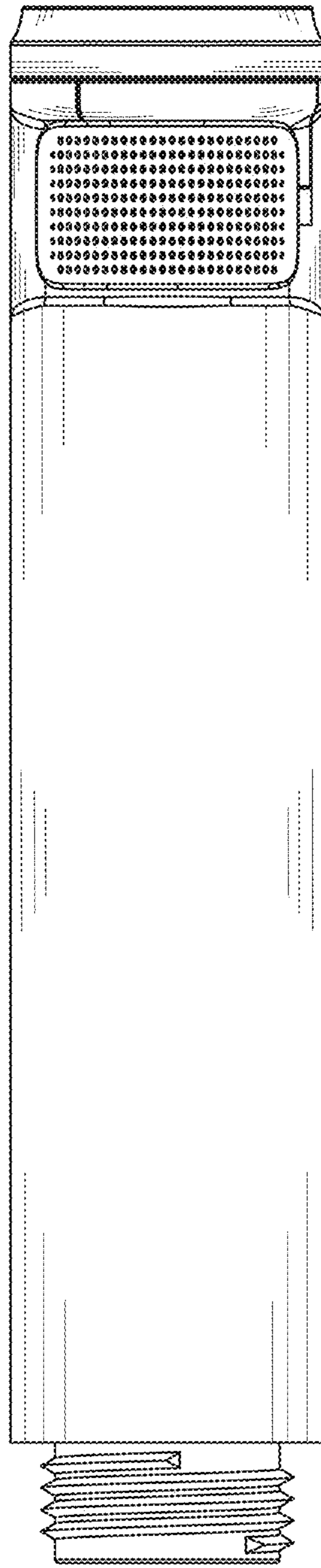


Fig. 3

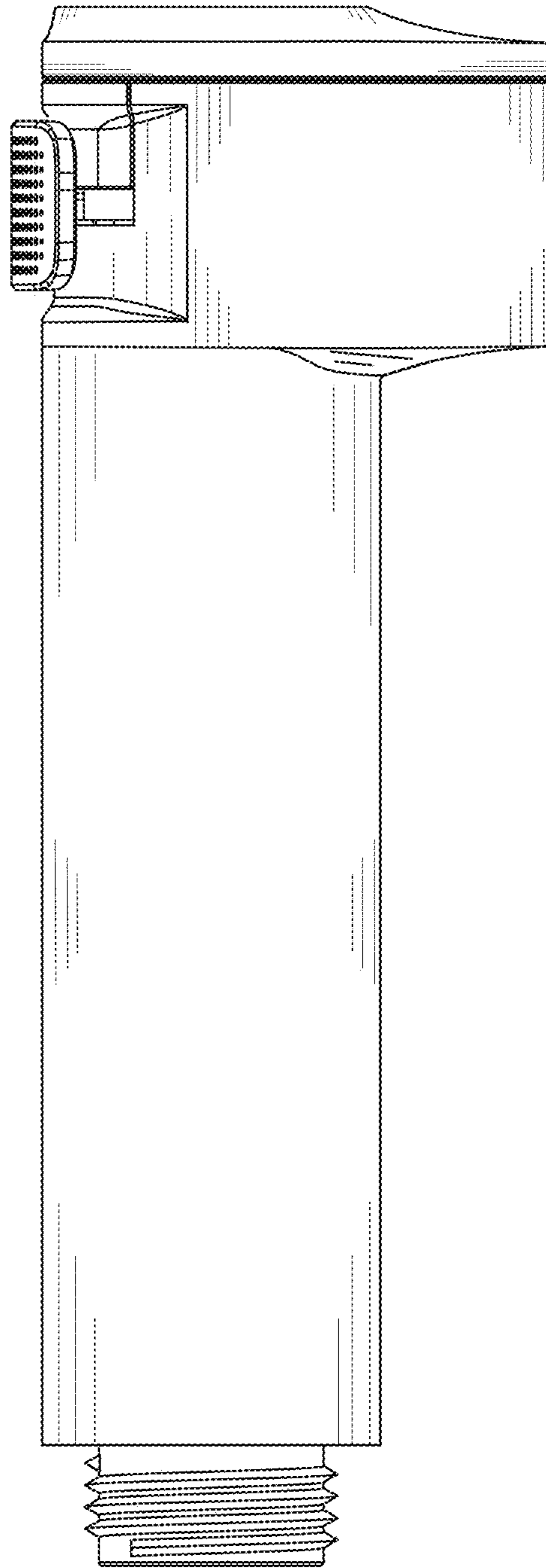


Fig. 4

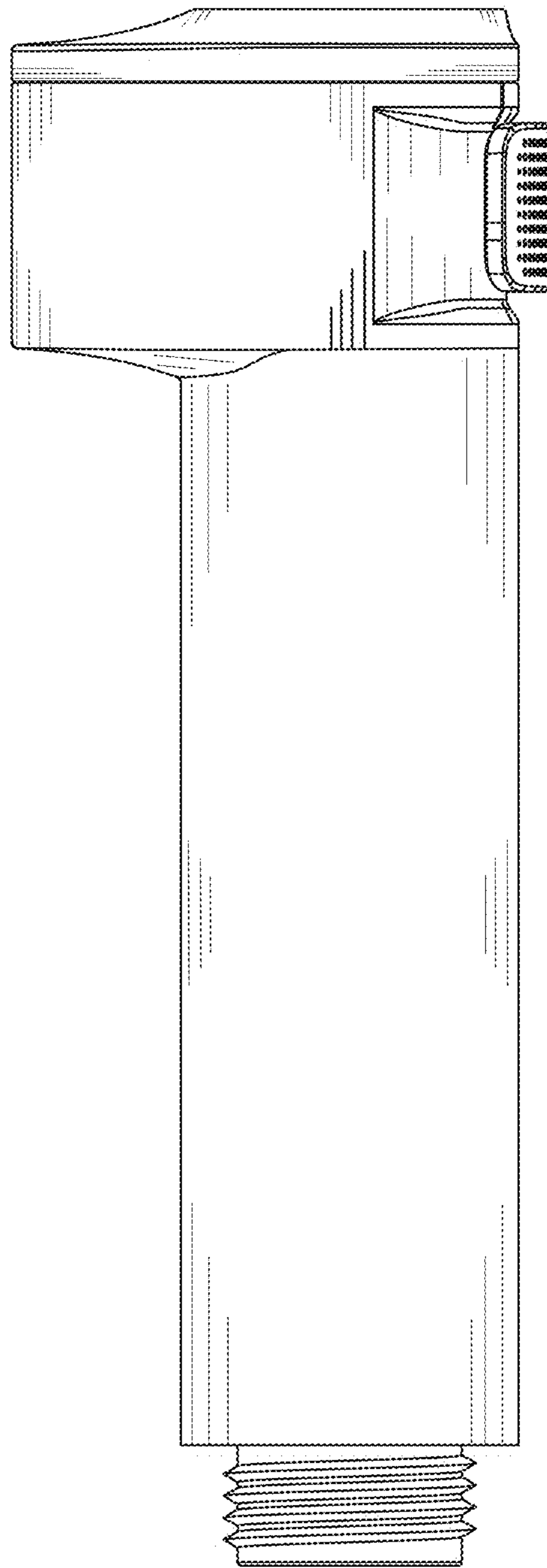


Fig. 5

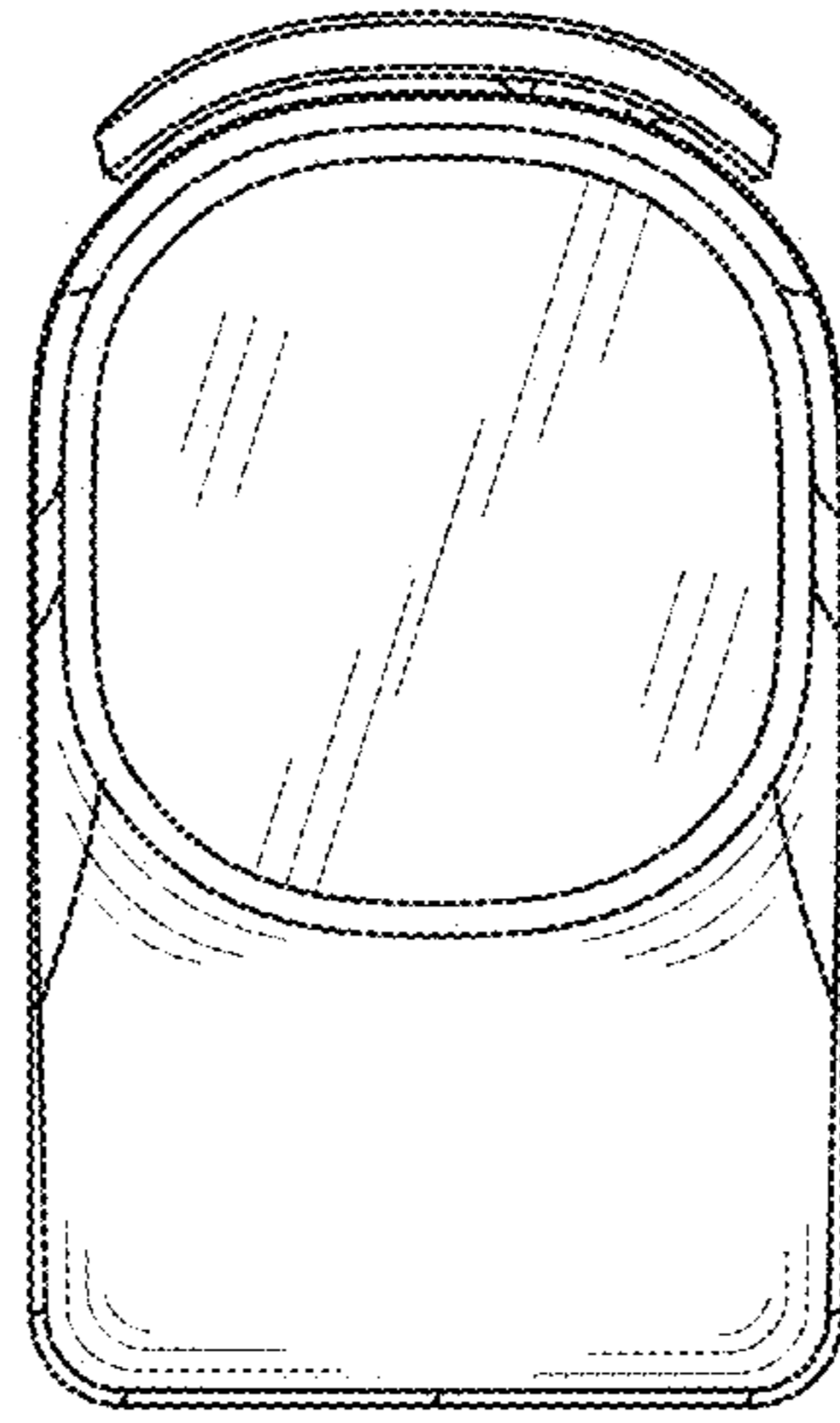


Fig. 6



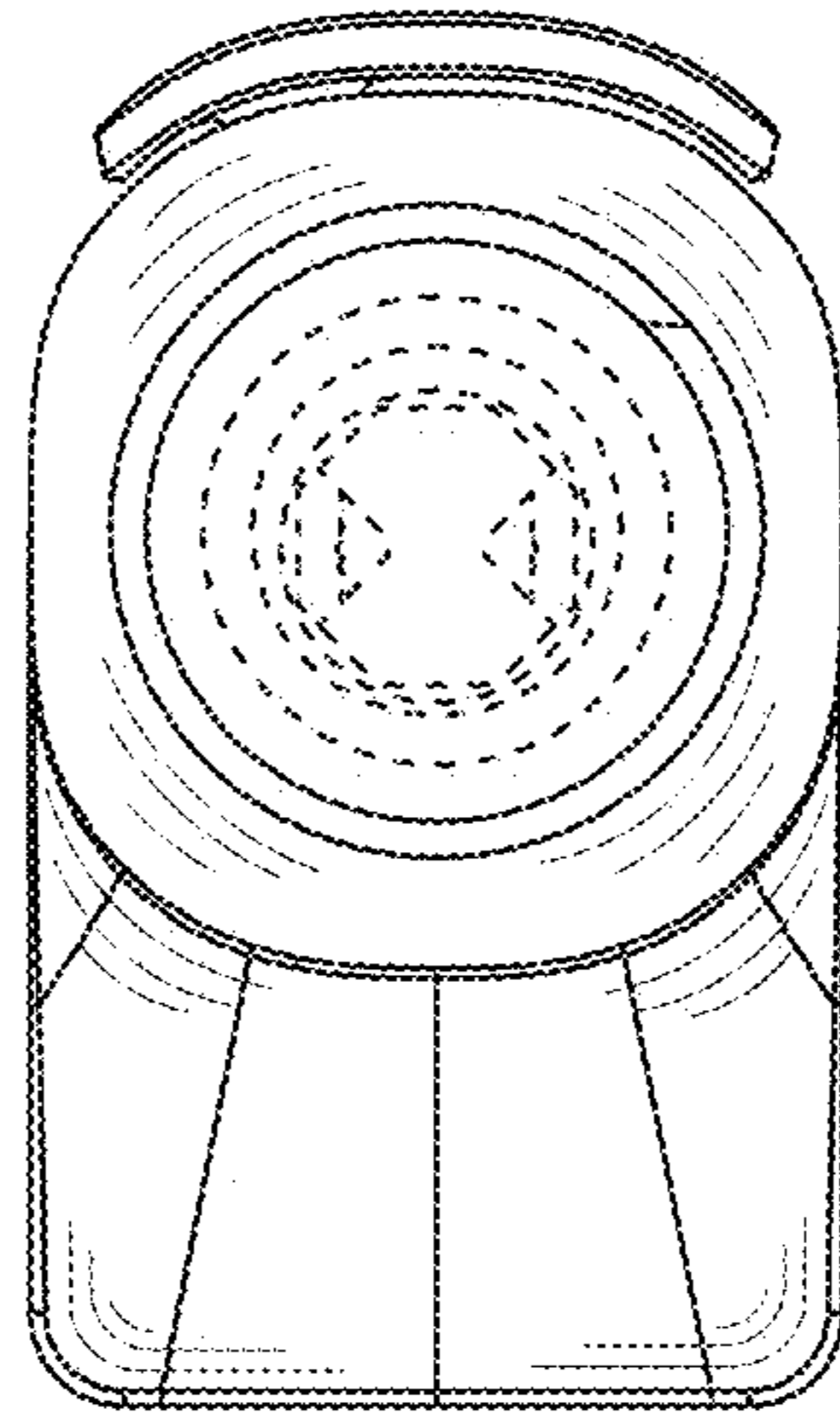


Fig. 7