



US00D926289S

(12) **United States Design Patent**
Chen

(10) **Patent No.:** **US D926,289 S**

(45) **Date of Patent:** **** *Jul. 27, 2021**

(54) **SPRAY GUN**

(71) Applicant: **SHIN TAI SPURT WATER OF THE GARDEN TOOLS CO., LTD.,**
Chang-Hua Hsien (TW)

(72) Inventor: **Chin-Yuan Chen,** Chang-Hua Hsien (TW)

(73) Assignee: **SHIN TAI SPURT WATER OF THE GARDEN TOOLS CO., LTD.,**
Chang-Hua Hsien (TW)

(*) Notice: This patent is subject to a terminal disclaimer.

(**) Term: **15 Years**

(21) Appl. No.: **29/703,419**

(22) Filed: **Aug. 27, 2019**

(51) **LOC (13) Cl.** **23-01**

(52) **U.S. Cl.**
USPC **D23/226**

(58) **Field of Classification Search**
USPC D8/2; D23/213, 223, 224, 226, 229, 230
CPC B05B 1/16; B05B 9/01; B05B 12/002;
B05B 12/0022; B05B 12/0024; B05B
12/0026; B05B 15/63; B25G 1/10; A01M
7/0046

See application file for complete search history.

(56) **References Cited**

U.S. PATENT DOCUMENTS

3,743,188	A *	7/1973	Wagner	B05B 9/01 239/575
D387,128	S *	12/1997	Wang	D23/223
D453,548	S *	2/2002	Wang	D23/226
D467,992	S *	12/2002	Chen	D23/226
D469,850	S *	2/2003	Nien	D23/226
6,520,427	B1 *	2/2003	Chen	B05B 1/3013 239/526
D471,619	S *	3/2003	Nien	D23/226
D475,122	S *	5/2003	Kuo	D23/226

D487,797	S *	3/2004	Chen	D23/226
D557,767	S *	12/2007	Chih	D23/226
D558,858	S *	1/2008	Chih	D23/226
9,726,456	B1 *	8/2017	Jhu	B05B 12/002
D901,635	S *	11/2020	Chen	D23/226
2013/0168471	A1 *	7/2013	Chen	B05B 9/01 239/526
2016/0167070	A1 *	6/2016	Chiu	B05B 15/652 239/289

OTHER PUBLICATIONS

“Orbit 56254D”, Feb. 14, 2012, Amazon, site visited Dec. 9, 2020: <https://www.amazon.ca/dp/B003LY4I3M/> (Year: 2012).*
“Garden Hose Nozzle Brass High Pressure” Mar. 1, 2019, Amazon, site visited Dec. 9, 2020: <https://www.amazon.ca/dp/B07PCHKXHV/> (Year: 2019).*

* cited by examiner

Primary Examiner — Jack Reickel

Assistant Examiner — Bobby W Jones, II

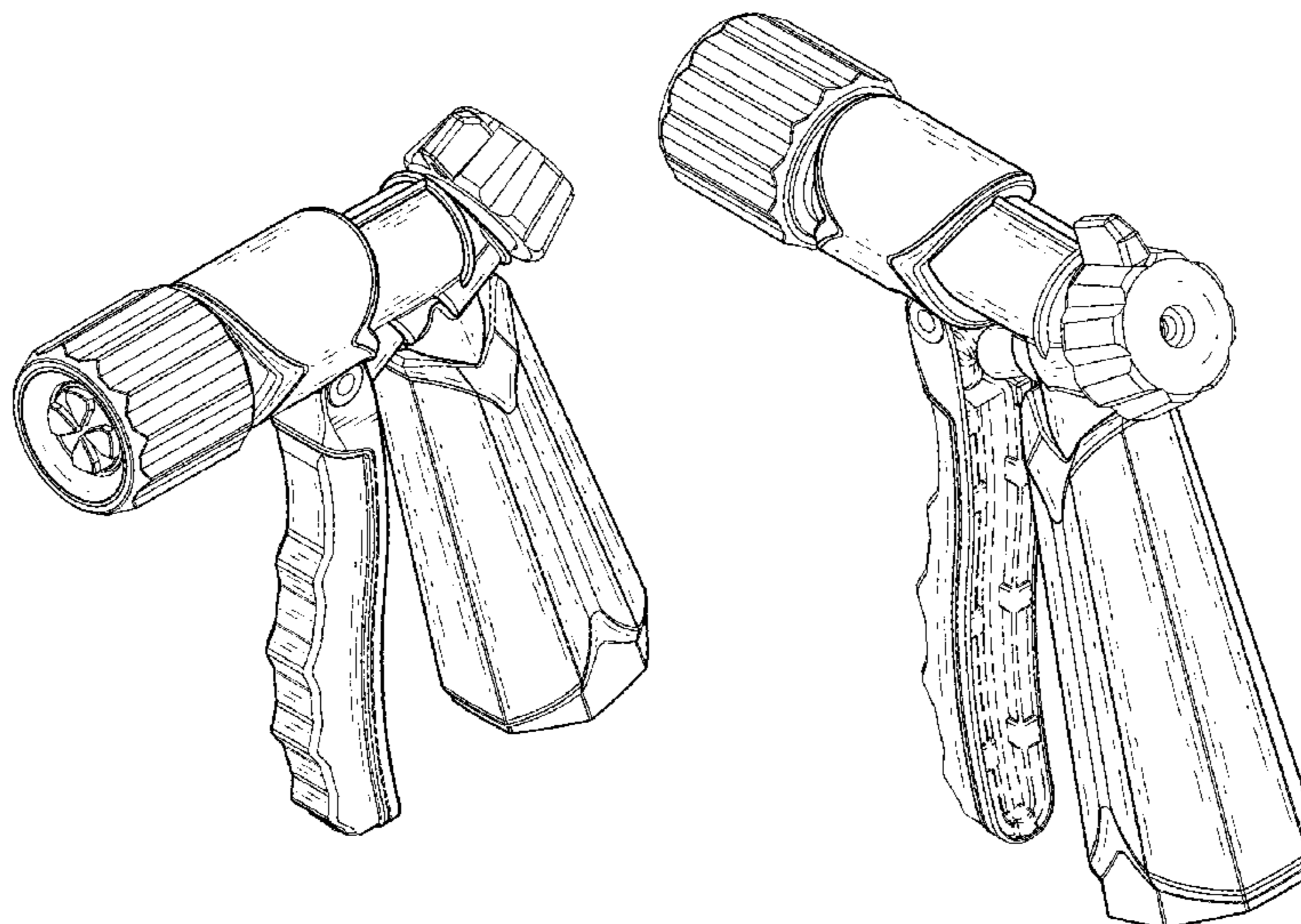
(57) **CLAIM**

The ornamental design for a spray gun, as shown and described.

DESCRIPTION

FIG. 1 is a perspective view of a spray gun showing my new design;
FIG. 2 is a front elevational view thereof;
FIG. 3 is a rear elevational view thereof;
FIG. 4 is a left side elevational view thereof;
FIG. 5 is a right side elevational view thereof;
FIG. 6 is a top plan view thereof;
FIG. 7 is a bottom plan view thereof; and,
FIG. 8 is another perspective schematic view of a spray gun showing my design.
The broken line showing of a spray gun is included for the purpose of illustrating portions of the article and forms no part of the claimed design.

1 Claim, 6 Drawing Sheets



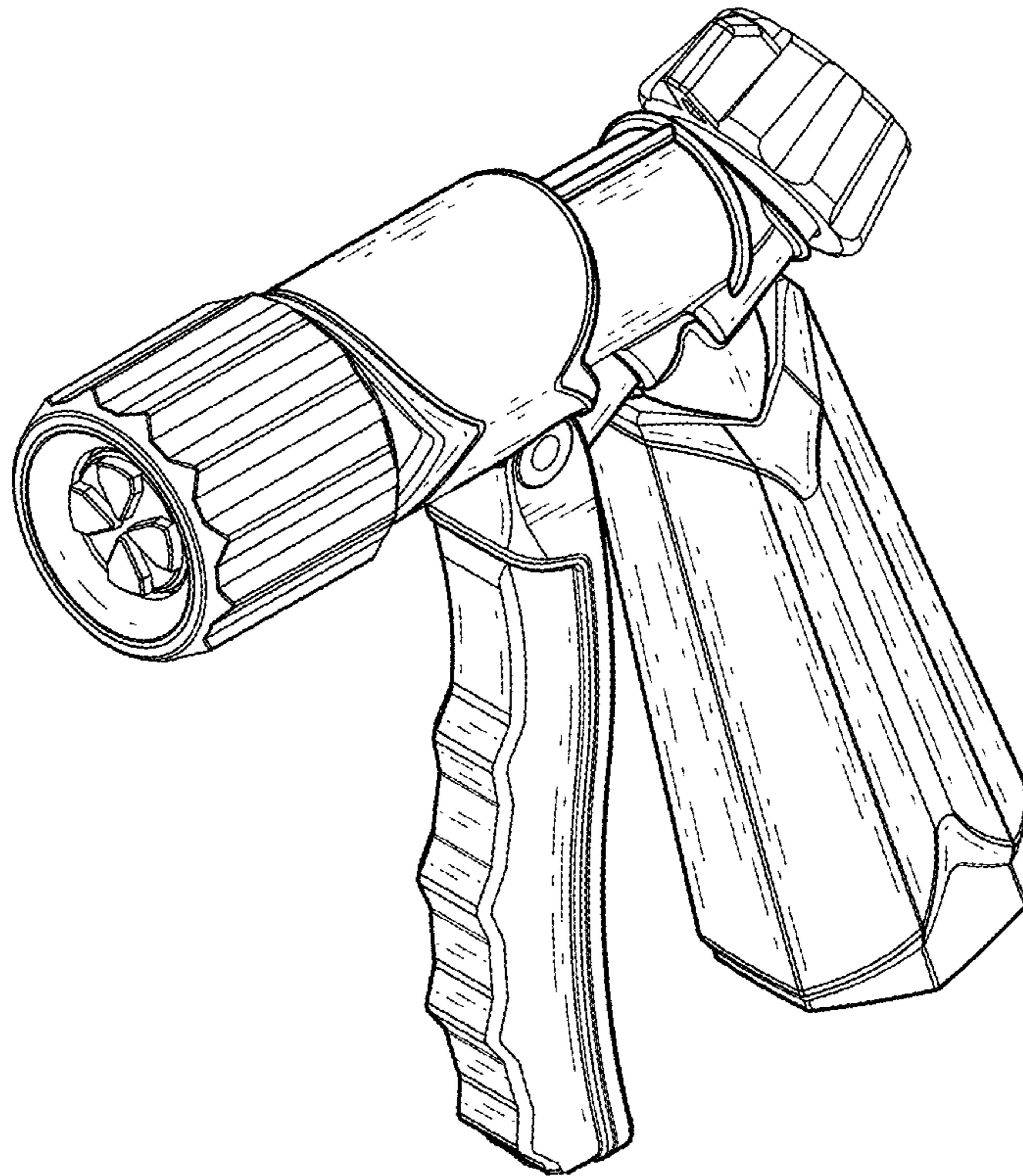


FIG.1

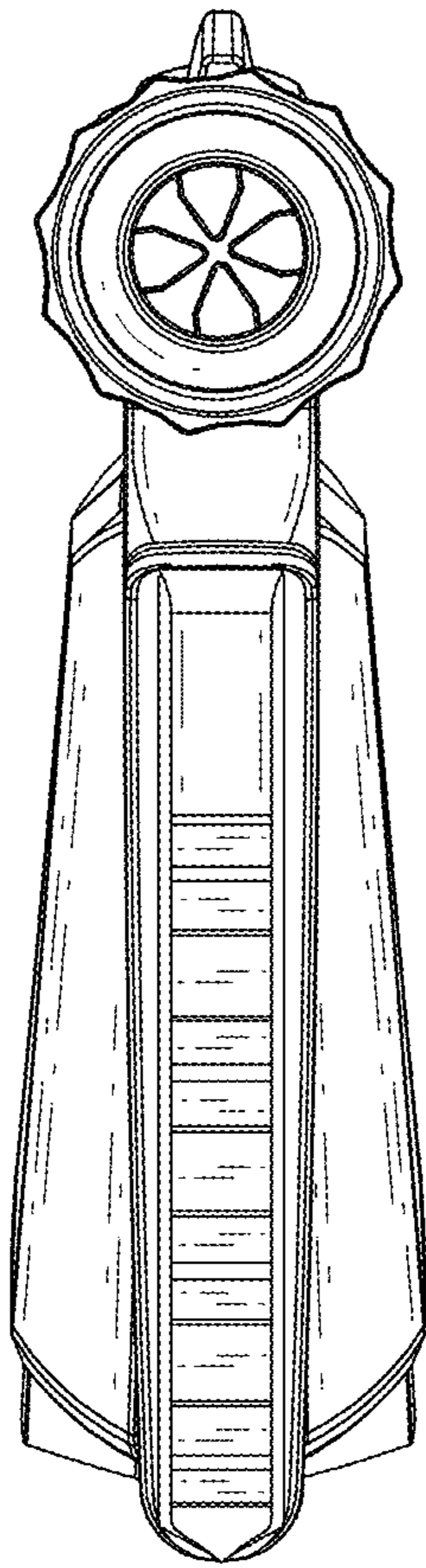


FIG. 2

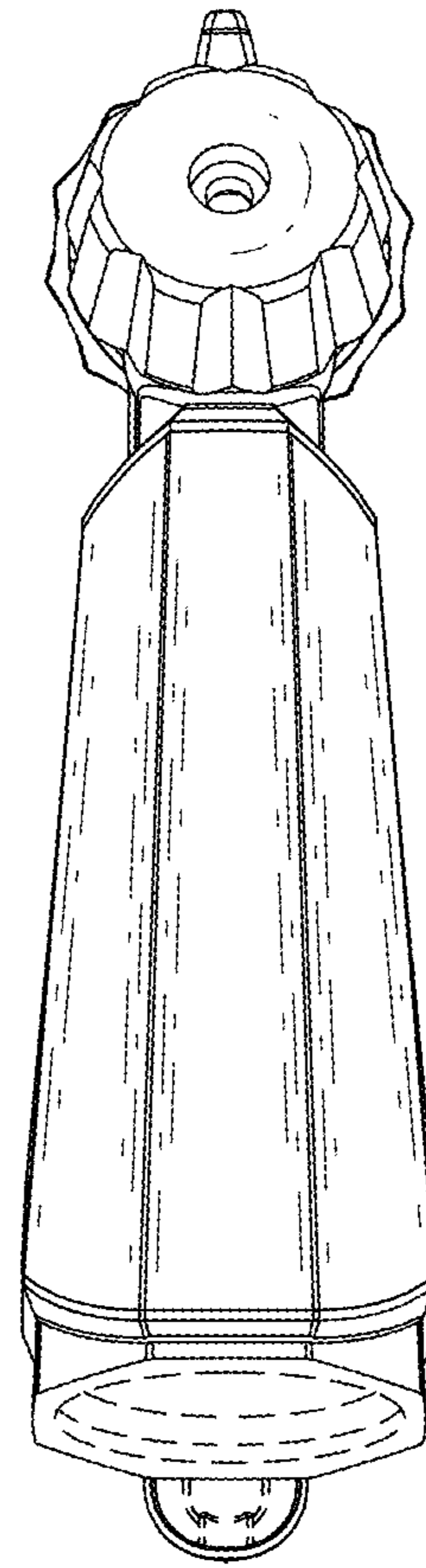


FIG. 3

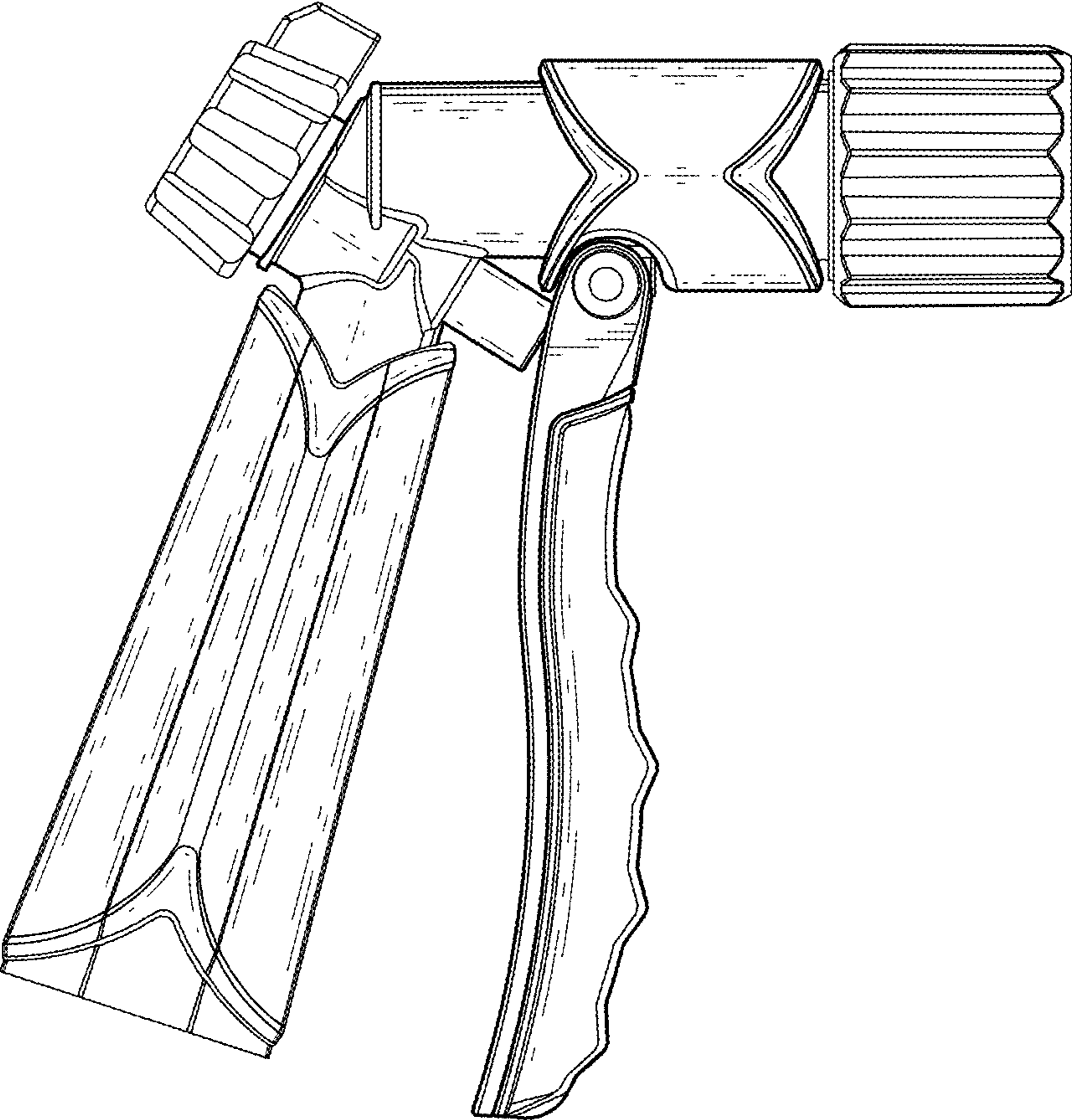


FIG.4

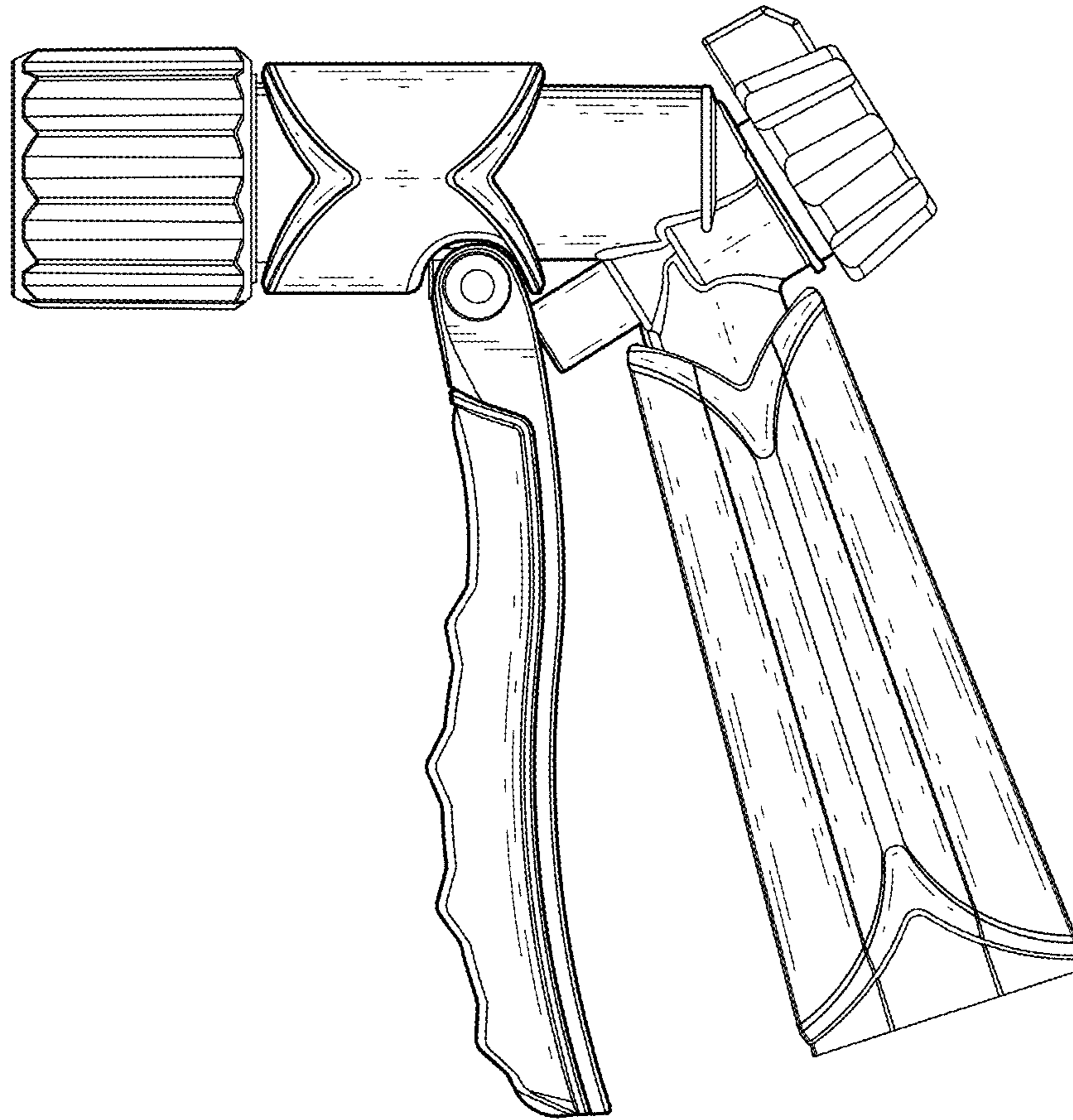


FIG.5

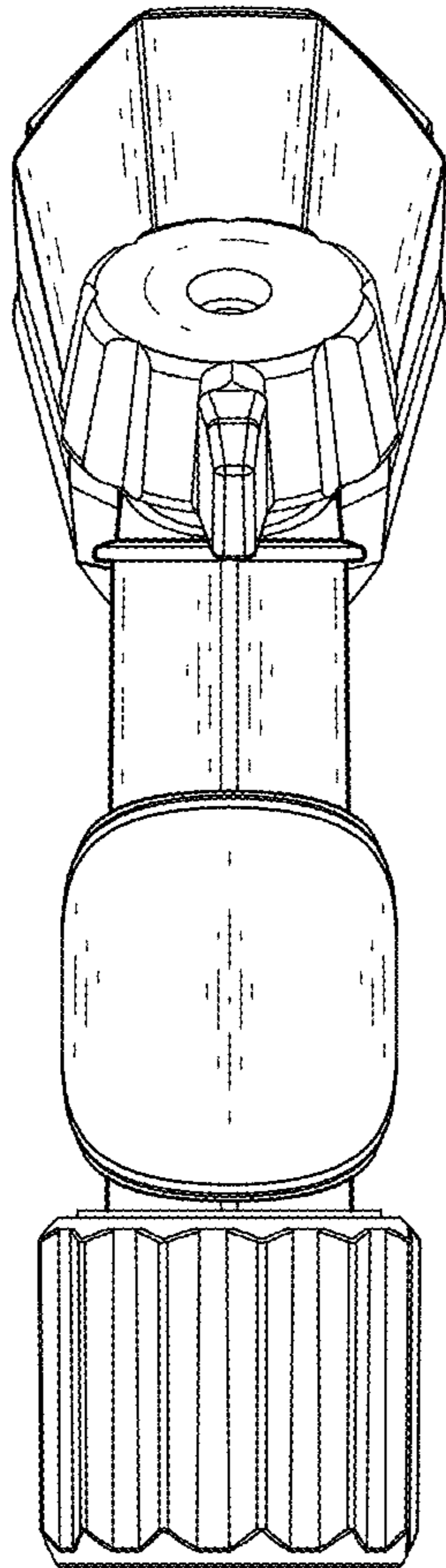


FIG.6

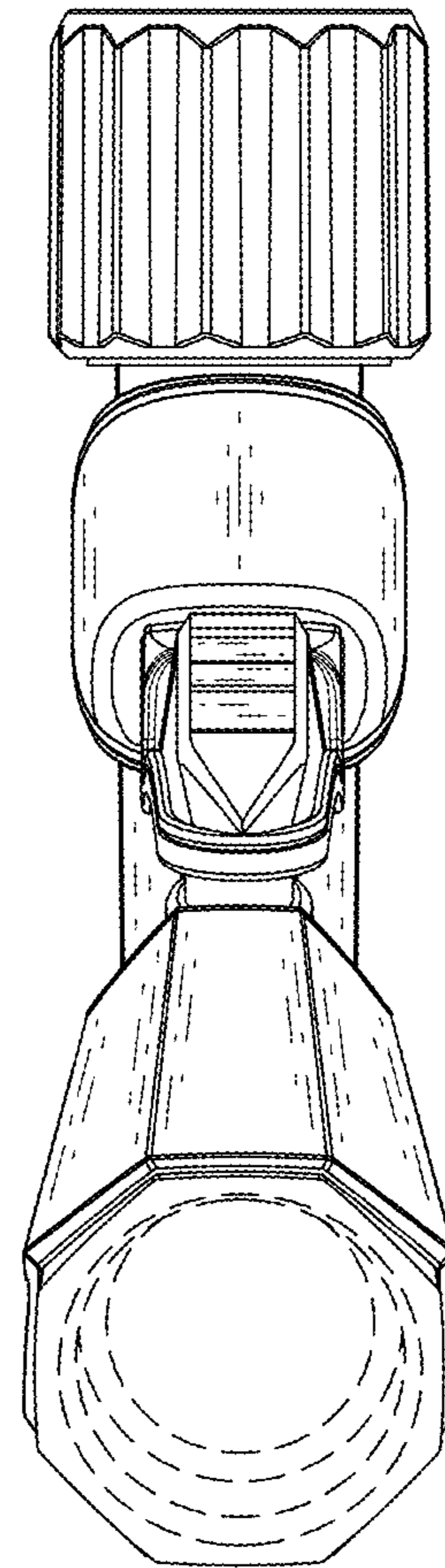


FIG.7

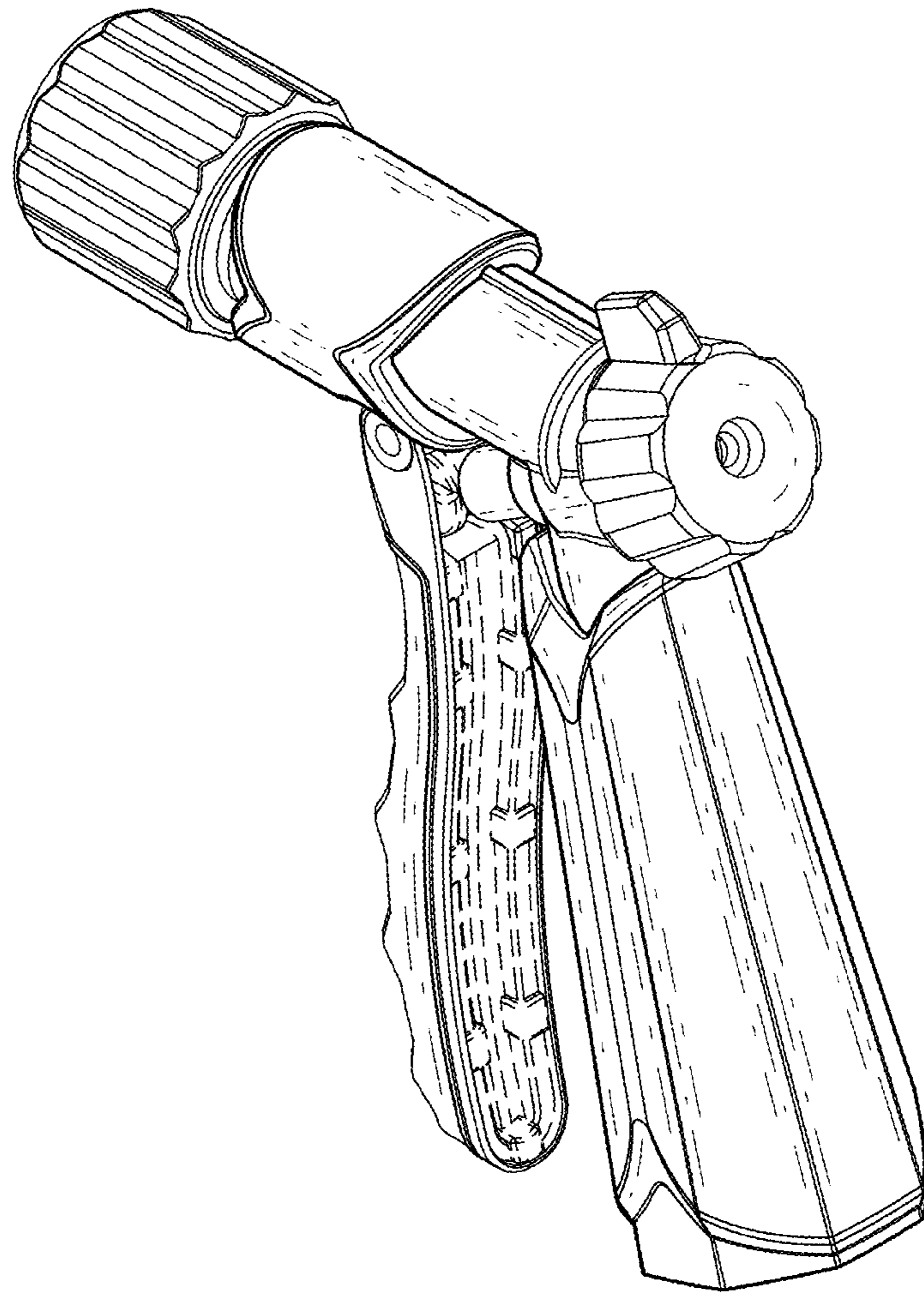


FIG.8