



US00D926288S

(12) **United States Design Patent**
Komatsu

(10) **Patent No.:** **US D926,288 S**

(45) **Date of Patent:** **** Jul. 27, 2021**

(54) **SHOWERHEAD COMPONENT**

(71) Applicant: **LIXIL Corporation**, Tokyo (JP)

(72) Inventor: **Yuichiro Komatsu**, Tokyo (JP)

(73) Assignee: **LIXIL Corporation**, Tokyo (JP)

(**) Term: **15 Years**

(21) Appl. No.: **29/703,777**

(22) Filed: **Aug. 29, 2019**

(30) **Foreign Application Priority Data**

Mar. 28, 2019 (JP) 2019-006608

(51) **LOC (13) Cl.** **23-01**

(52) **U.S. Cl.**

USPC **D23/223**

(58) **Field of Classification Search**

USPC D23/213, 223, 226, 228, 229, 230, 238,
D23/239, 240, 241, 249

CPC B05B 1/16; B05B 1/1618; B05B 1/18; B05B
1/185; E03C 1/0405; E03C 1/06; E03C
1/063; E03C 1/066; E03C 1/084; E03C
2001/0415

See application file for complete search history.

(56) **References Cited**

U.S. PATENT DOCUMENTS

D496,987 S *	10/2004	Glunk	D23/213
D512,119 S *	11/2005	Haug	D23/213
D538,391 S *	3/2007	Mazzola	D23/213
D540,427 S *	4/2007	Bouroullec	D23/213
D558,301 S *	12/2007	Hoernig	D23/213
D612,008 S *	3/2010	Schoenherr	D23/213
D612,010 S *	3/2010	Schoenherr	D23/213
D651,281 S *	12/2011	Lobermeier	D23/213
D656,222 S *	3/2012	Su	D23/229
D669,962 S *	10/2012	Schoenherr	D23/213

D694,358 S *	11/2013	Schoenherr	D23/213
D713,496 S *	9/2014	Schoenherr	D23/213
8,851,398 B2 *	10/2014	Li	B05B 1/1609 239/222.11
D751,174 S *	3/2016	Schoenherr	D23/213
D765,223 S *	8/2016	Schoenherr	D23/213
D765,818 S *	9/2016	Schoenherr	D23/213
D791,277 S *	7/2017	Eads	D23/213
D828,491 S *	9/2018	Schoenherr	D23/213
D828,905 S *	9/2018	Schoenherr	D23/213
D849,191 S *	5/2019	Cocks	D23/213
D908,188 S *	1/2021	Seum	D23/213
2007/0200013 A1 *	8/2007	Hsiao	B05B 1/185 239/557

OTHER PUBLICATIONS

“INAX S600 Brochure” Dec. 22, 2020 INAX.com, site visited Apr. 9, 2021: <https://www.inax.com/brochures/pdf/s600.pdf> (Year: 2020).*

(Continued)

Primary Examiner — Jack Reickel

Assistant Examiner — Bobby W Jones, II

(74) *Attorney, Agent, or Firm* — Sughrue Mion, PLLC

(57)

CLAIM

The ornamental design for a showerhead component, as shown and described.

DESCRIPTION

FIG. 1 is a perspective view from the bottom side of a showerhead component.

FIG. 2 is a perspective view from the top side thereof.

FIG. 3 is a top plan view thereof.

FIG. 4 is a bottom plan view thereof.

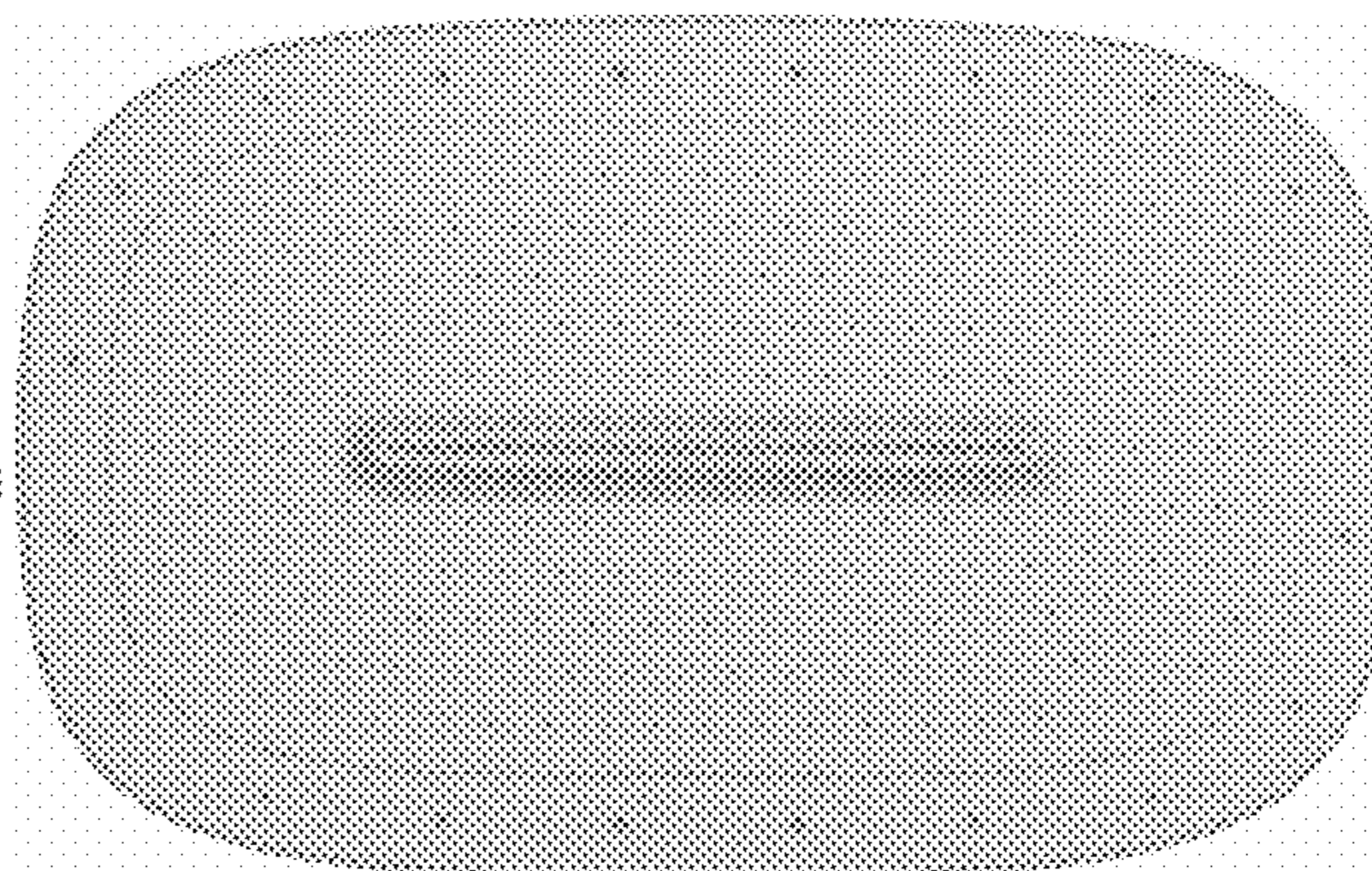
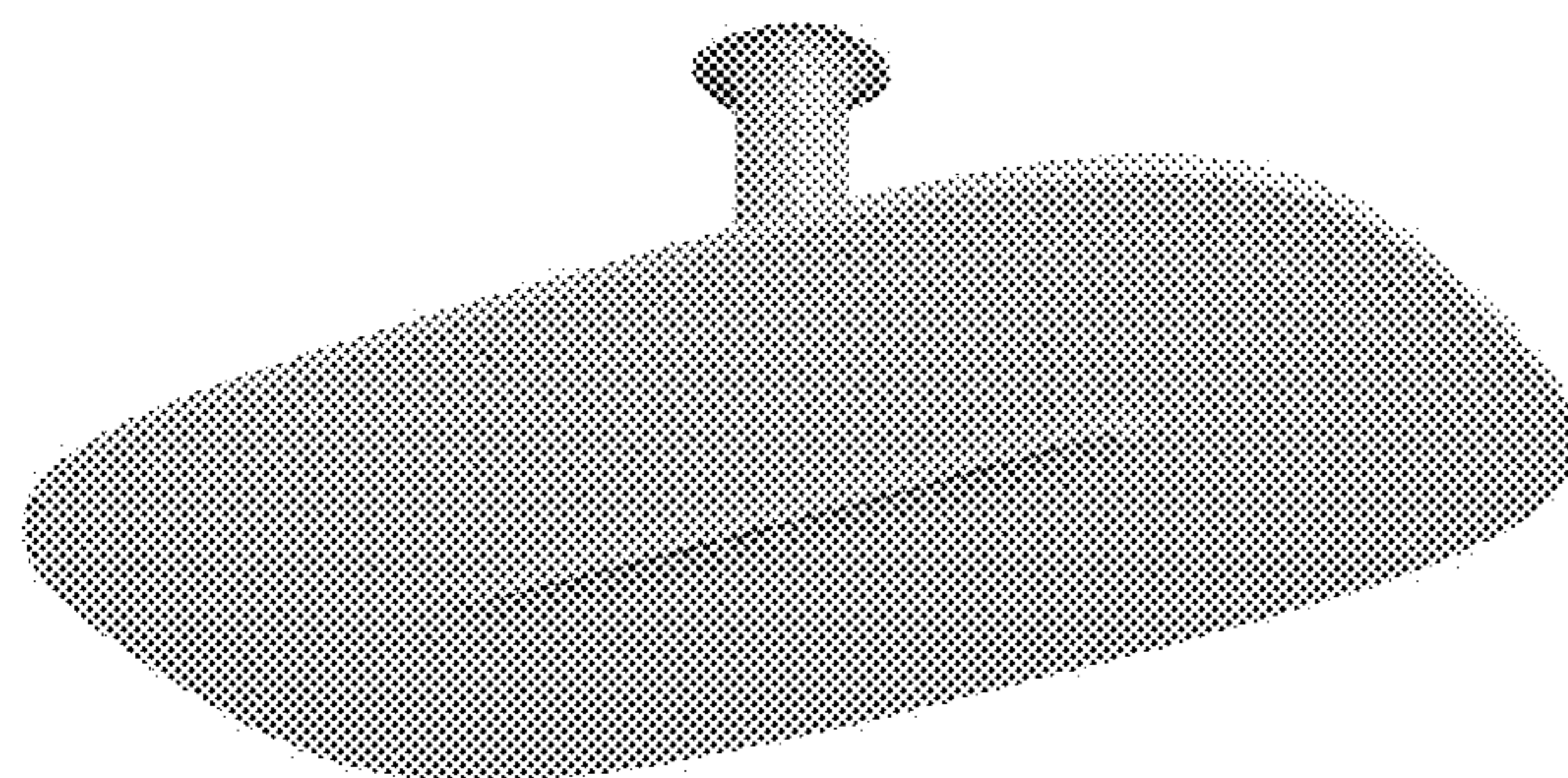
FIG. 5 is a front elevation view thereof.

FIG. 6 is a rear elevation view thereof.

FIG. 7 is a right side elevation view thereof; and,

FIG. 8 is a left side elevation view thereof.

1 Claim, 8 Drawing Sheets



(56)

References Cited

OTHER PUBLICATIONS

“Derpras 16 Inch Square Rain Shower Head” Jun. 6, 2017, Amazon, site visited Apr. 9, 2021: <https://www.amazon.com/dp/B072MHQSYT/> (Year: 2017).*

“Lovedima 20"×40" Rectangle Rain Shower Head” Apr. 20, 2017, Amazon, site visited Apr. 9, 2021: <https://www.amazon.com/dp/B071R4CRQN/> (Year: 2017).*

* cited by examiner

FIG. 1

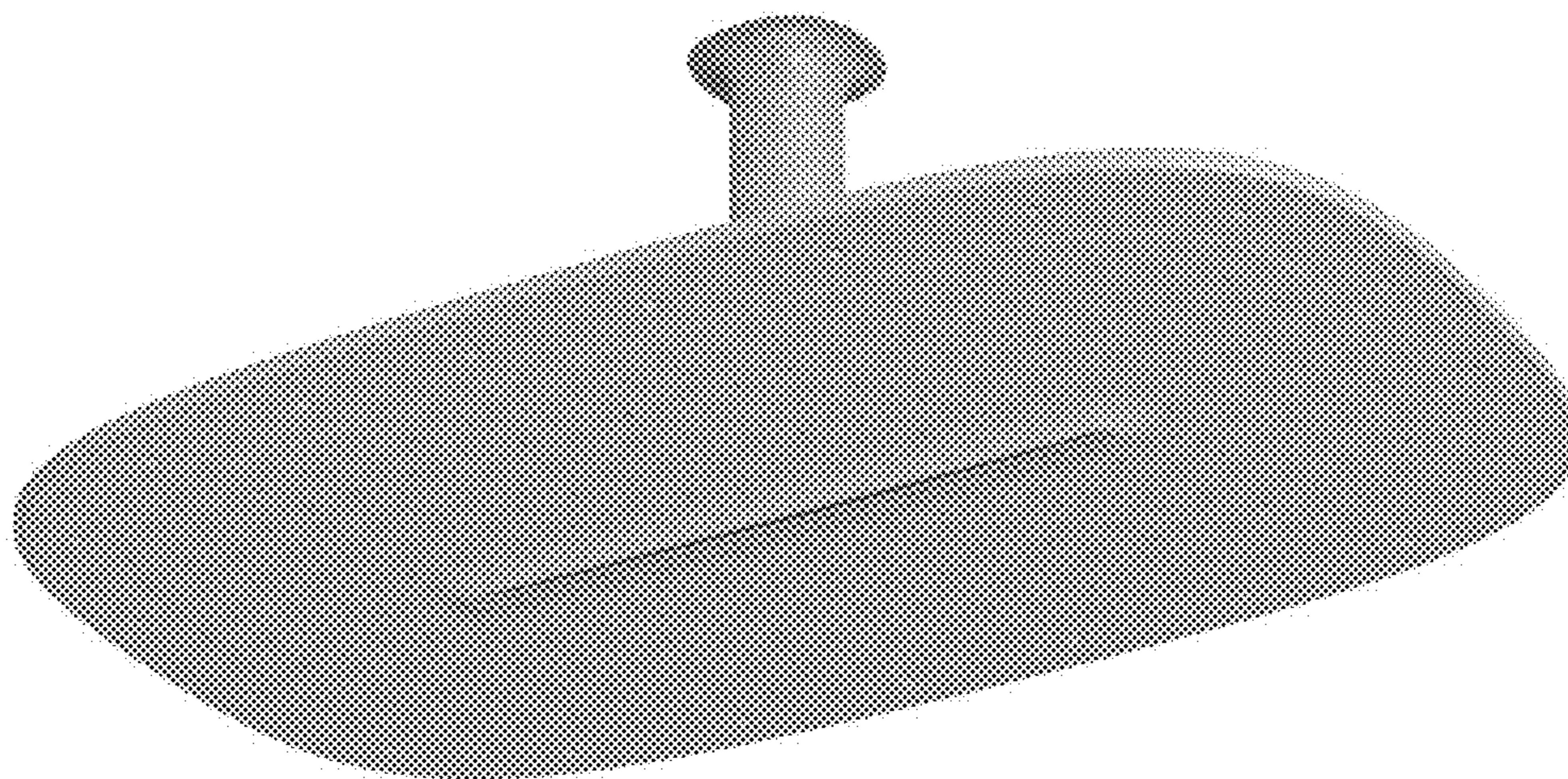


FIG. 2

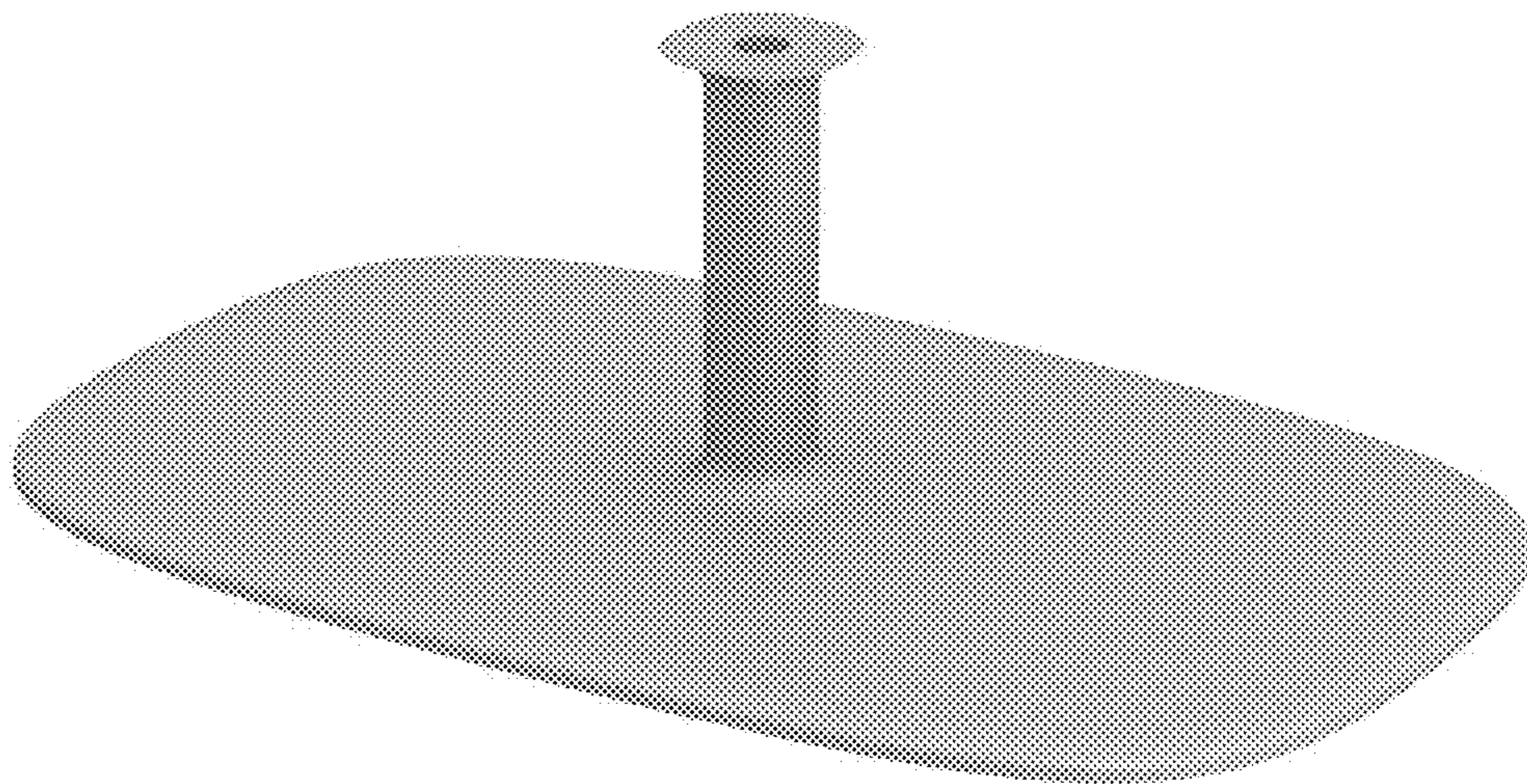


FIG. 3

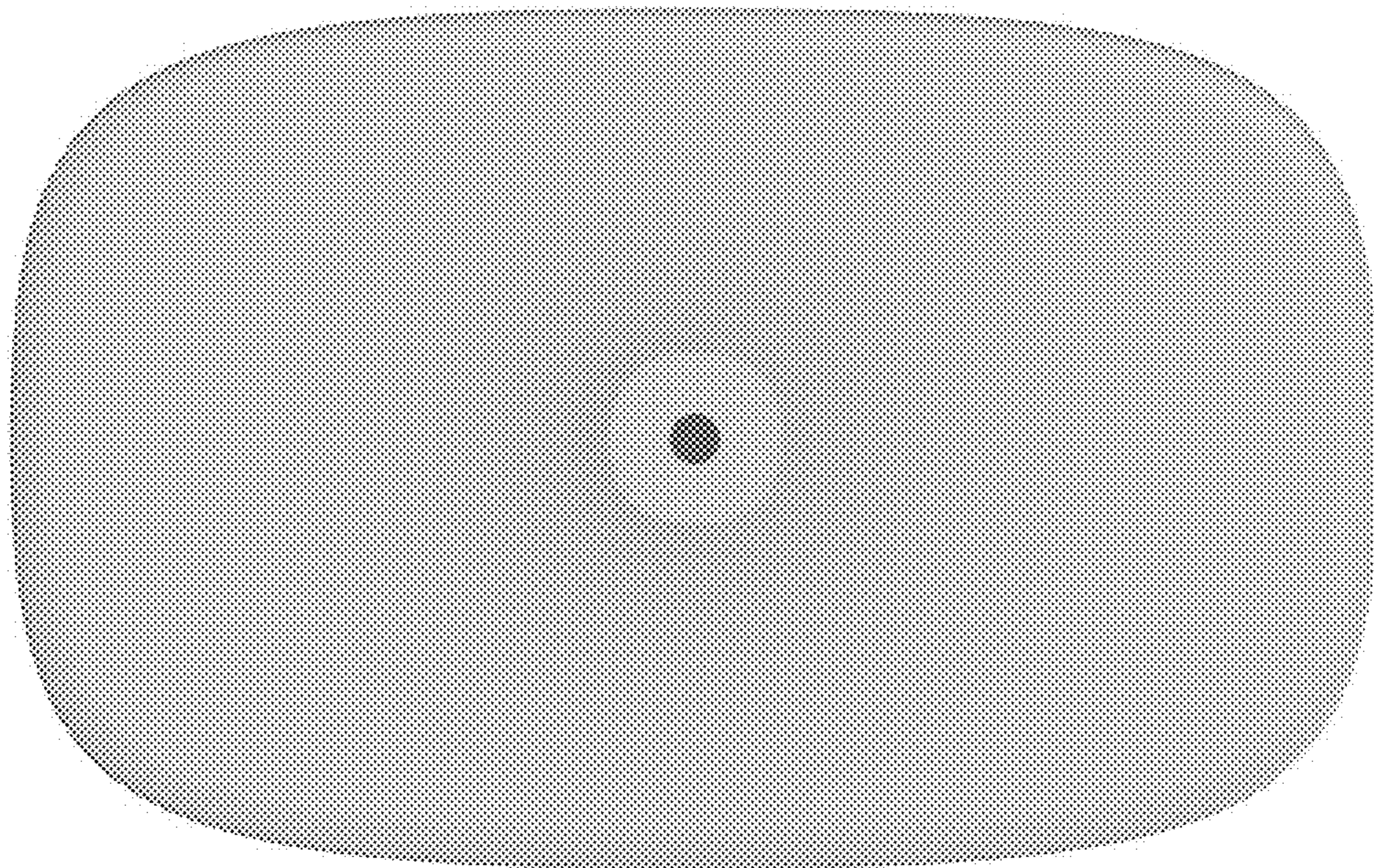


FIG. 4

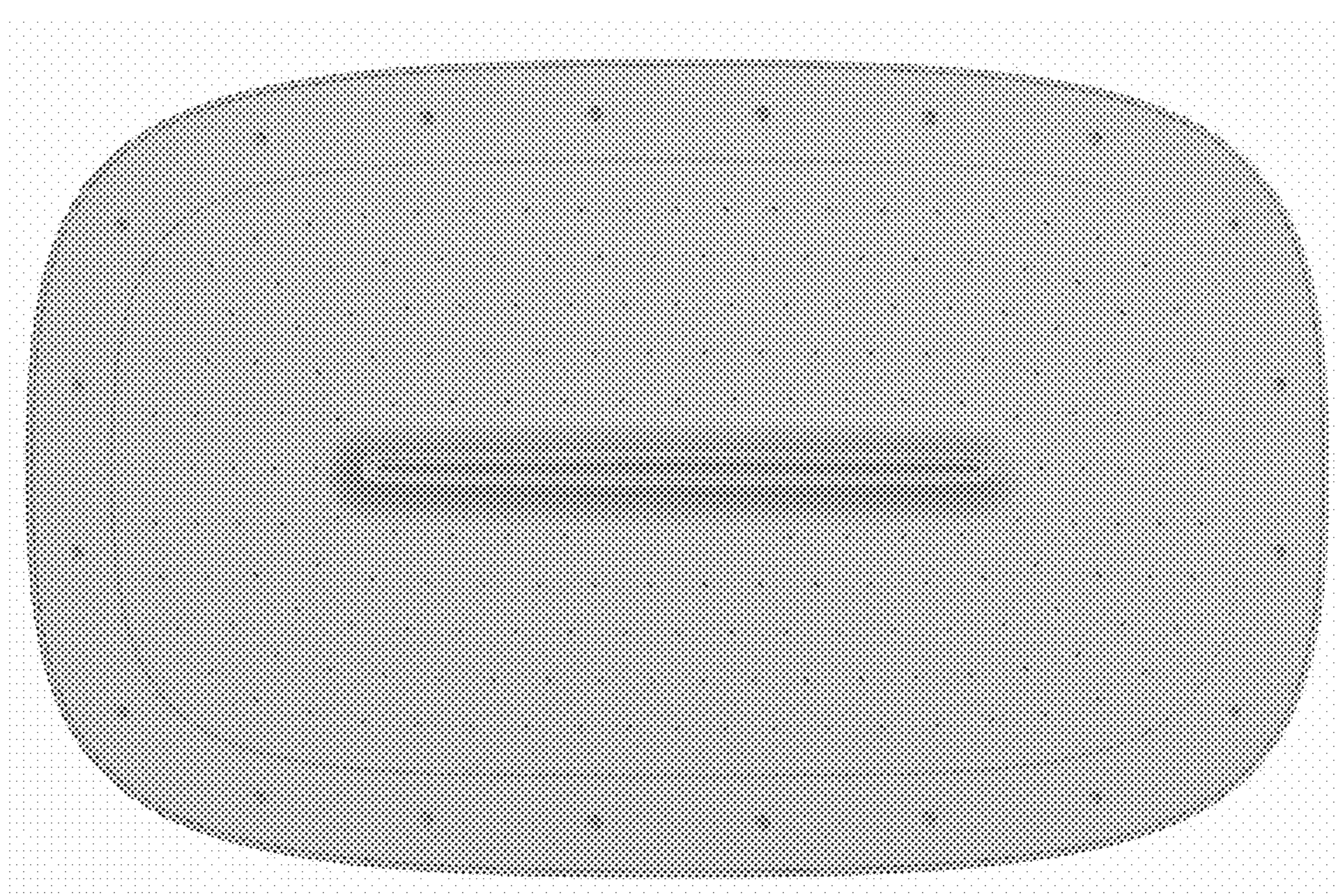


FIG. 5

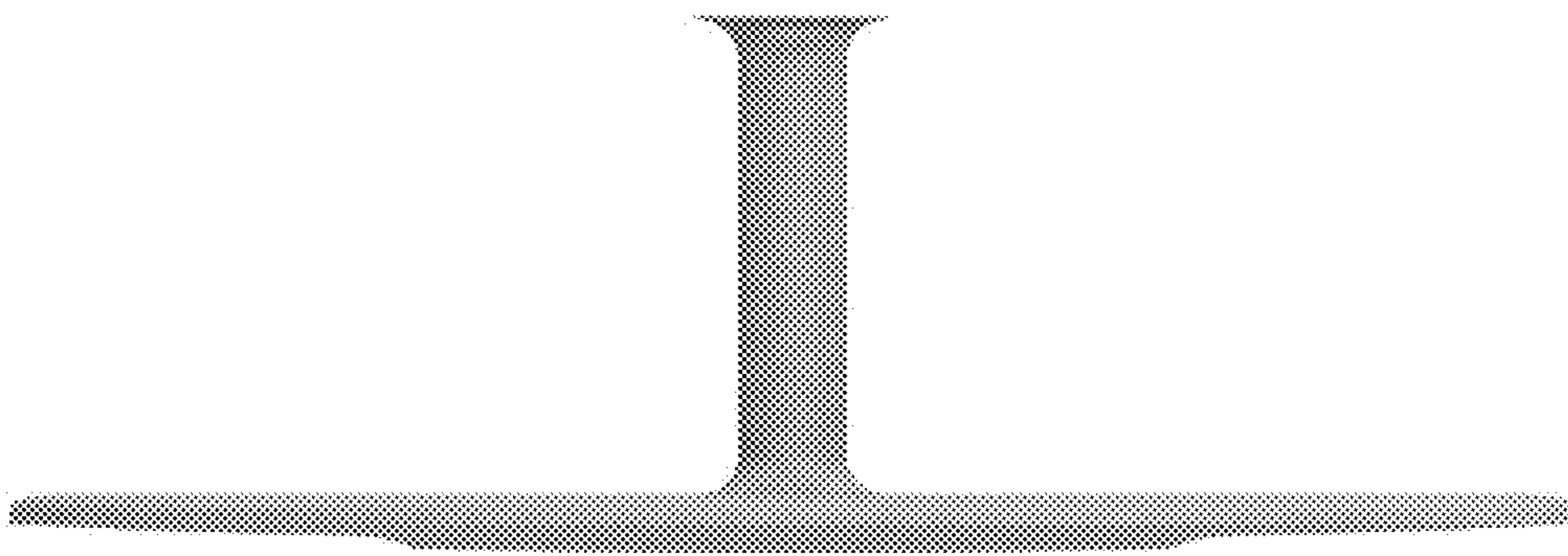


FIG. 6

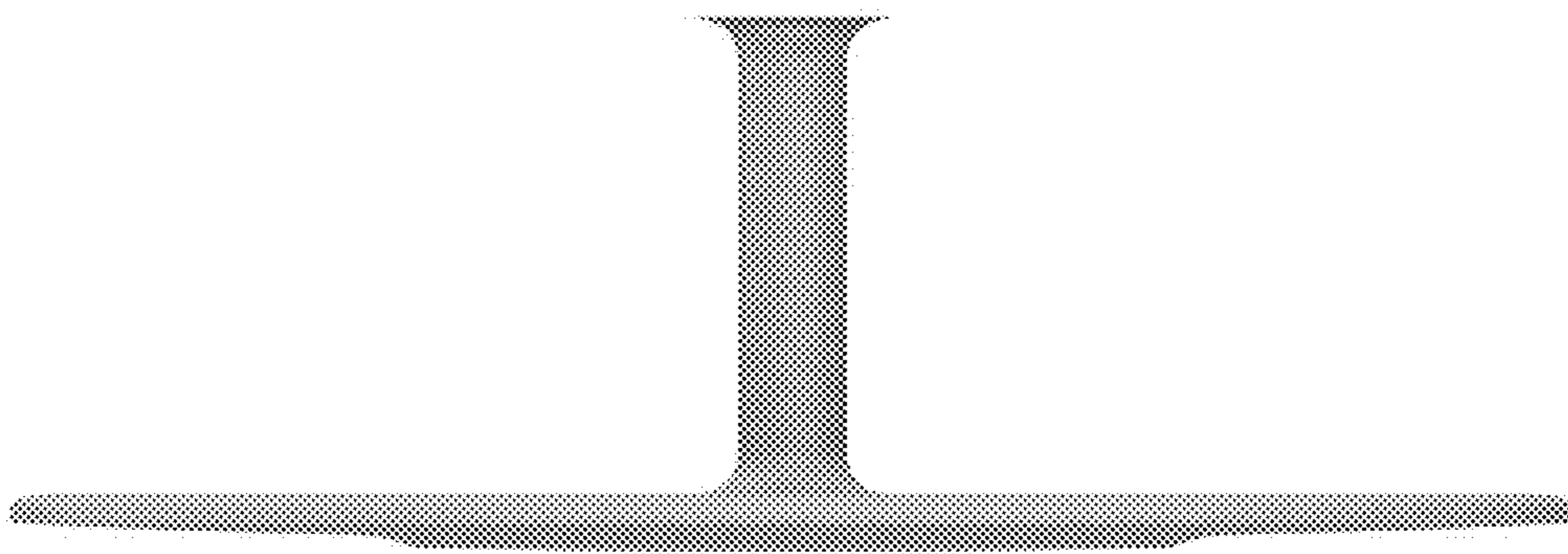


FIG. 7

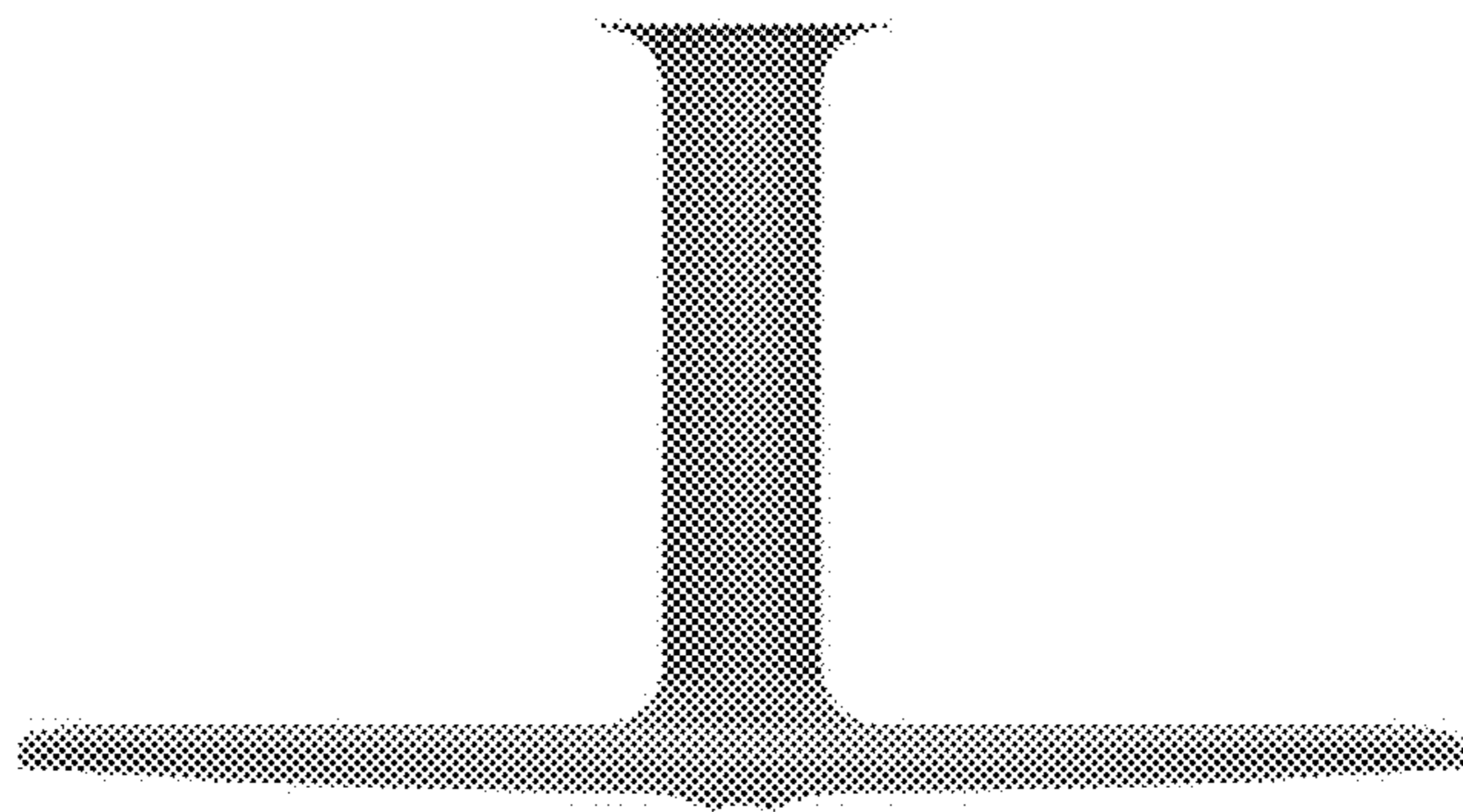


FIG. 8

