



US00D926287S

(12) **United States Design Patent** (10) **Patent No.:** **US D926,287 S**
Cocks et al. (45) **Date of Patent:** **** Jul. 27, 2021**

(54) **SHOWER HEAD**

(71) Applicant: **Phoenix Industries Pty Ltd**, Bayswater (AU)

(72) Inventors: **Andrew John Cocks**, Bayswater (AU);
Ban Hsi Liu, Bayswater (AU)

(73) Assignee: **Phoenix Industries Pty Ltd**, Bayswater (AU)

(**) Term: **15 Years**

(21) Appl. No.: **29/702,662**

(22) Filed: **Aug. 21, 2019**

(30) **Foreign Application Priority Data**

Feb. 22, 2019 (AU) 201910957

(51) **LOC (13) Cl.** **23-01**

(52) **U.S. Cl.**
USPC **D23/213**

(58) **Field of Classification Search**
USPC D23/207, 213, 214, 215, 223, 224, 226,
D23/229, 230
CPC A61H 9/0021; A61H 33/00; B05B 1/00;
B05B 1/14; B05B 1/185; B05B 1/08;
B05B 1/02; B05B 1/26; B05B 12/002;
B05B 1/18; B05B 9/01

See application file for complete search history.

(56) **References Cited**

U.S. PATENT DOCUMENTS

D487,498 S 3/2004 Blomstrom
D496,987 S 10/2004 Glunk
D498,514 S * 11/2004 Haug D23/223
D508,730 S 8/2005 Blomstrom
D512,120 S * 11/2005 Haug D23/213
D513,525 S * 1/2006 Haug D23/223

(Continued)

FOREIGN PATENT DOCUMENTS

AU 308198 7/2006
AU 308199 7/2006

(Continued)

OTHER PUBLICATIONS

Methven Aio Wall Mount Handheld Shower Head, Amazon, retrieved on [Aug. 28, 2019] https://www.amazon.com/Methven-Aio-Handheld-Shower-Chrome/dp/B075M4GYXR/ref=sr_1_5?dchild=1&keywords=Methven+Aio+Retrofit+Shower+Head+Handpiece&qid=1598665550&s=hi&sr=1-5 (Year: 2017).*

(Continued)

Primary Examiner — Jack Reickel

Assistant Examiner — Keith J Wilson

(74) *Attorney, Agent, or Firm* — Womble Bond Dickinson (US) LLP

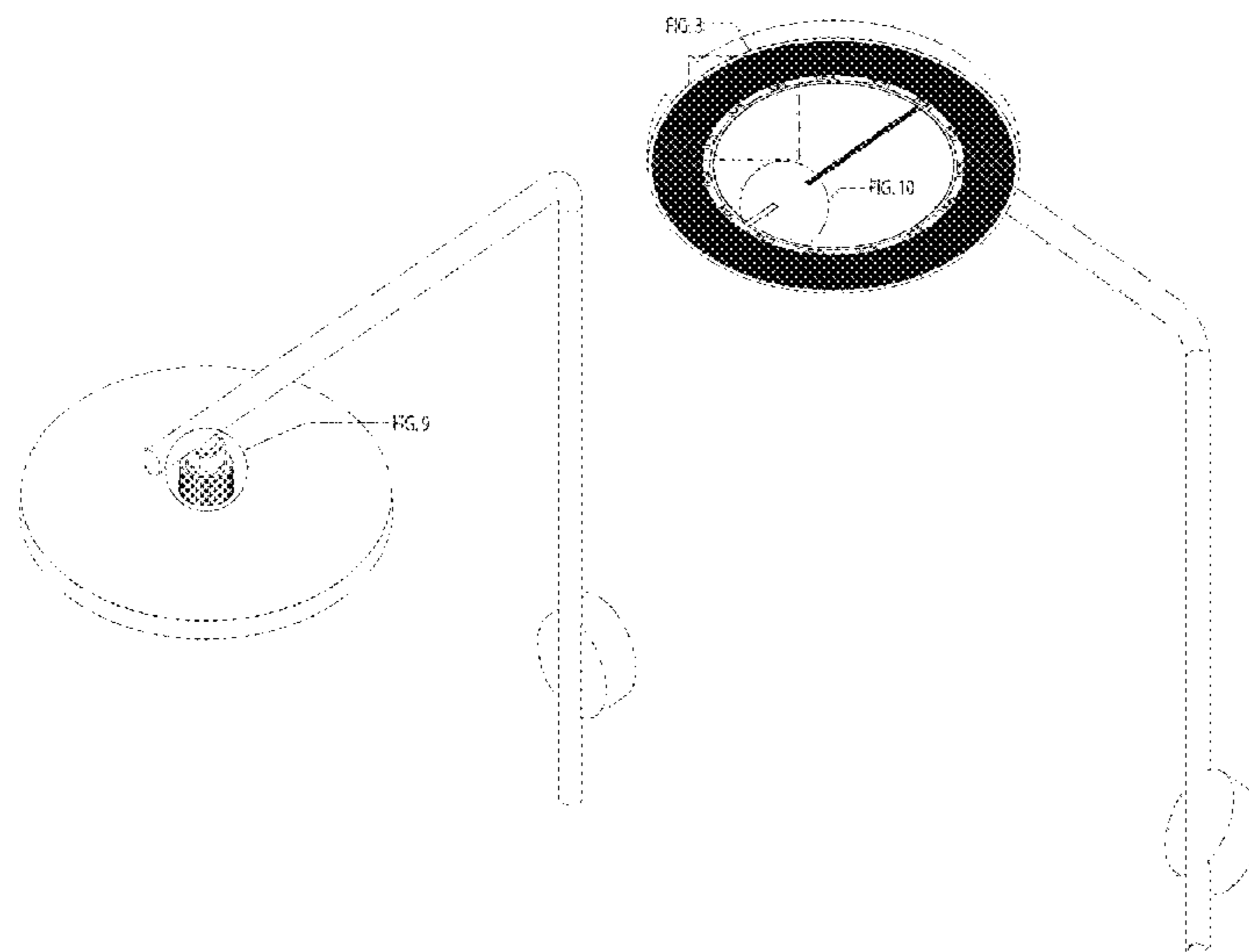
(57) **CLAIM**

The ornamental design for a shower head, as shown and described.

DESCRIPTION

FIG. 1 is a top isometric view of a shower head according to our new design;
FIG. 2 is a bottom isometric view thereof;
FIG. 3 is a view of an enlarged section of the bottom isometric view of FIG. 2;
FIG. 4 is a bottom view thereof;
FIG. 5 is a view of an enlarged section of the bottom view of FIG. 4;
FIG. 6 is a top view thereof;
FIG. 7 is a front view thereof;
FIG. 8 is a side view thereof, the opposite side view being identical;
FIG. 9 is a view of an enlarged section of the top isometric view of FIG. 1; and,
FIG. 10 is a view of an enlarged section of the bottom isometric view of FIG. 2.

1 Claim, 10 Drawing Sheets



(56)

References Cited

U.S. PATENT DOCUMENTS

D519,187 S * 4/2006 Tse D23/213
 D524,406 S 7/2006 Hoernig
 D524,412 S 7/2006 Blomstrom
 D540,427 S 4/2007 Bouroullec
 D556,855 S 12/2007 Mullenmeister
 D562,937 S 2/2008 Schonherr
 D564,066 S * 3/2008 Lammel D23/223
 D565,703 S * 4/2008 Lammel D23/223
 D566,228 S 4/2008 Neagoe
 D566,231 S * 4/2008 Lammel D23/223
 D590,917 S 4/2009 Schoenherr
 D593,640 S 6/2009 Schoenherr
 D604,802 S 11/2009 Schoenherr
 D613,370 S 4/2010 Allard
 D622,809 S 8/2010 Montgomery
 D624,155 S 9/2010 Yokoyama
 D634,401 S 3/2011 Flowers
 D637,266 S 5/2011 Flowers
 D639,382 S 6/2011 Flowers
 D649,623 S 11/2011 Flowers
 D654,983 S 2/2012 Schoenherr
 D655,386 S 3/2012 Schoenherr
 D655,783 S 3/2012 Schoenherr
 D656,582 S 3/2012 Flowers
 D659,167 S 5/2012 Cocks
 D659,794 S 5/2012 Flowers
 D665,479 S 8/2012 Cocks
 D669,156 S 10/2012 Schoenherr
 D669,962 S 10/2012 Schoenherr
 D672,010 S 12/2012 Verdeflor
 D680,619 S 4/2013 Zhadanov
 D681,776 S 5/2013 Cutler
 D681,781 S 5/2013 Cutler
 D687,924 S * 8/2013 Newson D23/213
 D694,357 S 11/2013 Brodey
 D694,358 S 11/2013 Schoenherr
 D694,359 S 11/2013 Schoenherr
 D694,361 S 11/2013 Schoenherr
 D694,856 S 12/2013 Madsen
 D697,177 S * 1/2014 Schoenherr D23/223
 D707,328 S 6/2014 Schoenherr
 D707,330 S 6/2014 Schoenherr
 D710,973 S 8/2014 Madsen
 D713,004 S 9/2014 Schoenherr
 D713,496 S 9/2014 Schoenherr
 D713,498 S 9/2014 Schoenherr
 D714,421 S 9/2014 Flowers
 8,851,398 B2 10/2014 Li
 D718,418 S 11/2014 Georgeson
 8,991,432 B2 3/2015 Zhou
 D730,493 S 5/2015 Sehl
 9,027,857 B2 5/2015 Kull
 D733,258 S 6/2015 Sandee
 9,046,261 B2 6/2015 Zhang
 D736,347 S 8/2015 Tan
 D736,348 S 8/2015 Tan
 D737,931 S 9/2015 Schoenherr
 D737,932 S 9/2015 Nikles
 D738,991 S 9/2015 Brodey
 D743,507 S 11/2015 Georgeson
 D746,955 S 1/2016 Corder
 D749,694 S 2/2016 Madsen
 D751,174 S 3/2016 Schoenherr
 D751,175 S 3/2016 Schoenherr
 D751,176 S 3/2016 Schoenherr
 D752,711 S 3/2016 Georgeson
 D757,894 S 5/2016 Schoenherr
 D757,895 S 5/2016 Schoenherr
 D758,532 S 6/2016 Schoenherr
 9,387,495 B2 7/2016 Schumacher
 D778,402 S 2/2017 Schoenherr
 D778,404 S 2/2017 Schoenherr
 D779,038 S 2/2017 Hanna
 D779,039 S 2/2017 Hanna
 D785,131 S 4/2017 Cimino

D787,458 S 5/2017 Kim
 D791,277 S 7/2017 Eads
 D793,527 S 8/2017 Zanger
 D801,475 S 10/2017 Naslund
 D803,350 S 11/2017 Tian
 D808,499 S 1/2018 Naslund
 D809,094 S 1/2018 Naslund
 D810,233 S 2/2018 Winter
 D810,234 S * 2/2018 Winter D23/213
 D810,861 S 2/2018 Weaver
 D811,524 S 2/2018 Bossini
 D813,348 S 3/2018 Bossini
 D820,388 S 6/2018 Seum
 D820,949 S 6/2018 Reinnecker
 D821,542 S 6/2018 Reinnecker
 D822,157 S 7/2018 L'Henaff
 D824,485 S 7/2018 Montoya
 D828,491 S 9/2018 Schoenherr
 D828,511 S 9/2018 Liu et al.
 D828,512 S 9/2018 Liu et al.
 D828,516 S 9/2018 Liu et al.
 D828,909 S 9/2018 Liu et al.
 D832,398 S * 10/2018 Lin D23/223
 D833,575 S 11/2018 Soulier
 D839,384 S 1/2019 Svendsen
 D840,503 S 2/2019 Stein
 D841,121 S 2/2019 Kiefer
 D841,125 S 2/2019 Lai
 D841,126 S * 2/2019 Lai D23/223
 D842,429 S 3/2019 Huang
 D842,430 S 3/2019 Huang
 D842,431 S 3/2019 Cacka
 D842,967 S 3/2019 Farley
 D844,749 S 4/2019 Cocks et al.
 D846,077 S 4/2019 Liu
 D846,701 S 4/2019 Liu
 D846,702 S 4/2019 Liu
 D847,302 S 4/2019 Cocks et al.
 D849,191 S 5/2019 Cocks et al.
 D849,696 S 5/2019 Adenau
 D851,207 S 6/2019 Cocks et al.
 D855,759 S * 8/2019 Winter D23/223
 D855,760 S * 8/2019 Lee D23/223
 D856,475 S 8/2019 Gessi
 D861,830 S * 10/2019 Quinn D23/223
 D865,132 S 10/2019 Hoogendoorn et al.
 D865,133 S 10/2019 Hoogendoorn et al.
 D866,715 S 11/2019 Liu et al.
 D868,213 S 11/2019 Hoogendoorn et al.
 D881,340 S * 4/2020 Winter D23/213
 D888,195 S 6/2020 Cocks et al.
 10,792,678 B2 * 10/2020 Lu B05B 1/083
 D901,625 S * 11/2020 Garland D23/213
 D902,346 S * 11/2020 Cocks D23/213
 D903,050 S * 11/2020 Ando D23/213
 10,882,061 B2 * 1/2021 Nikles E03C 1/0409
 2016/0265201 A1 9/2016 Hoogendoorn et al.
 2020/0324305 A1 * 10/2020 Malcolm B05B 1/18
 2020/0406275 A1 * 12/2020 Tu B05B 1/16

FOREIGN PATENT DOCUMENTS

AU 308201 7/2006
 AU 308202 7/2006
 AU 314560 6/2007
 AU 314563 6/2007
 AU 321286 10/2008
 AU 328364 11/2009
 AU 328365 11/2009
 AU 334096 12/2010
 AU 336356 5/2011
 AU 336357 5/2011
 AU 337781 7/2011
 AU 337782 7/2011
 AU 344493 9/2012
 AU 344494 9/2012
 AU 350490 8/2013
 AU 355991 6/2014
 AU 355992 6/2014

(56)

References Cited

FOREIGN PATENT DOCUMENTS

AU	355993	6/2014
AU	355994	6/2014
AU	357542	9/2014
AU	357840	9/2014
AU	357842	9/2014
AU	357843	9/2014

OTHER PUBLICATIONS

High Sierra's 2.0 GPM "Reflections X" Low Flow Shower Head and Fogless Shaving Mirror In One, Jul. 8, 2019, Amazon.com, site visited Mar. 25, 2021: URL https://www.amazon.com/dp/B07V31PGWP/ref=sbl_dp_x_B01N06478Q_0 (Year: 2019).*

Amazon; *8 Inch Rainfall Shower Head*; WaterPoint; available at https://www.amazon.com/Inch-Rainfall-Shower-Head-WaterPoint/dp/B07R62JT94/ref=sr_1_1_75?keywords=showerhead&qid=1566490142&s=gateway&sr=8-75; available prior to Aug. 21, 2019. TOI Basin Mixer, Phoenix Tapware, Showers & Accessories, <http://www.phoenixtapware.com.au/products/toi-basin-mixer>, known at least as early as Oct. 25, 2016, 3 pgs.

TOI Wall Basin/Bath Mixer Set, <http://www.phoenixtapware.com.au/toi-wall-basin-mixer-set180mm>, known at least as early as Oct. 25, 2016, 3 pgs.

TOI Sink Mixer Squareline, Phoenix Tapware, Showers & Accessories, <http://www.phoenixtapware.com.au/toi-sink-mixer-180mm-squareline>, known at least as early as Oct. 25, 2016, 3 pgs.

* cited by examiner

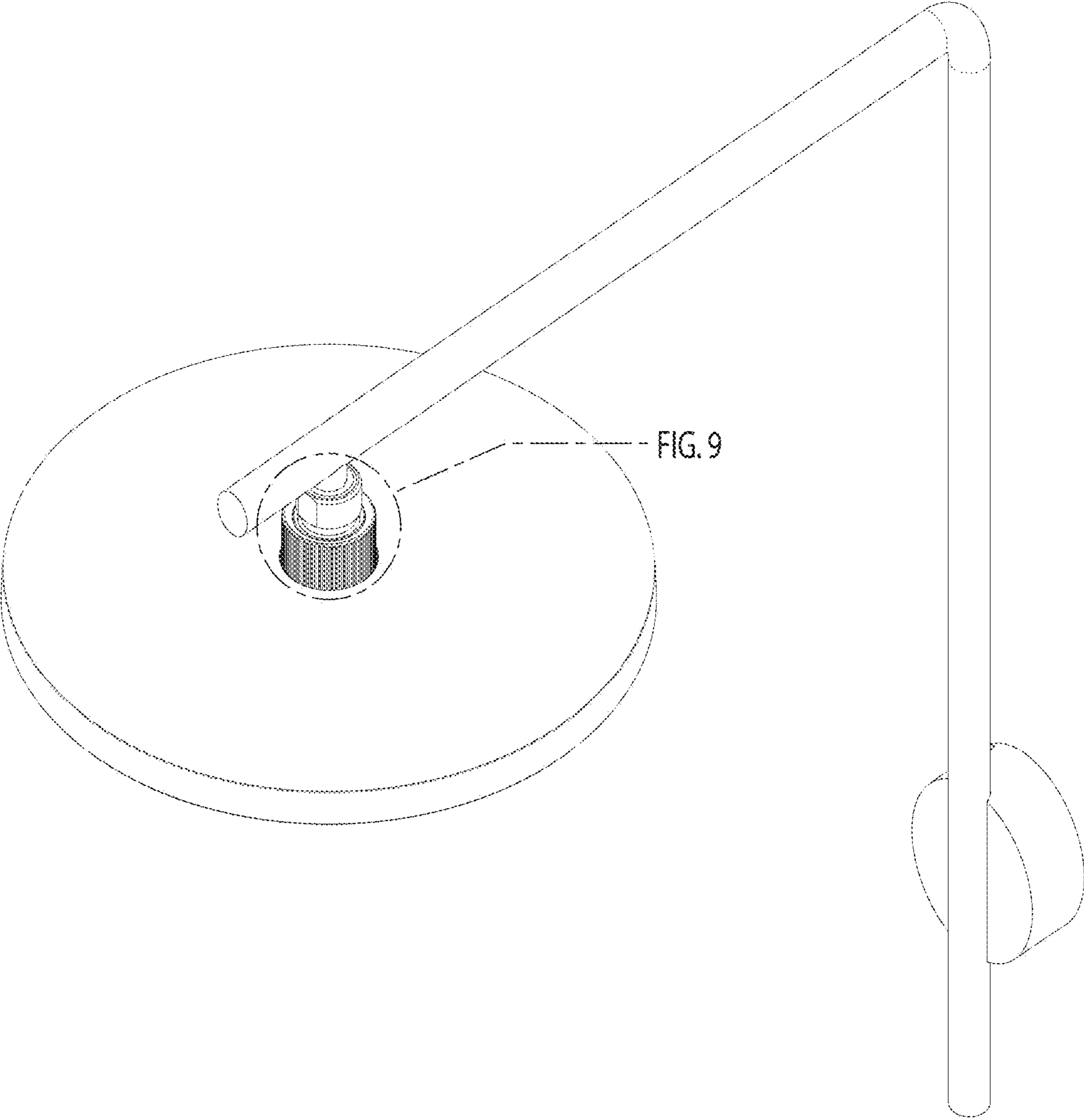


FIG. 1

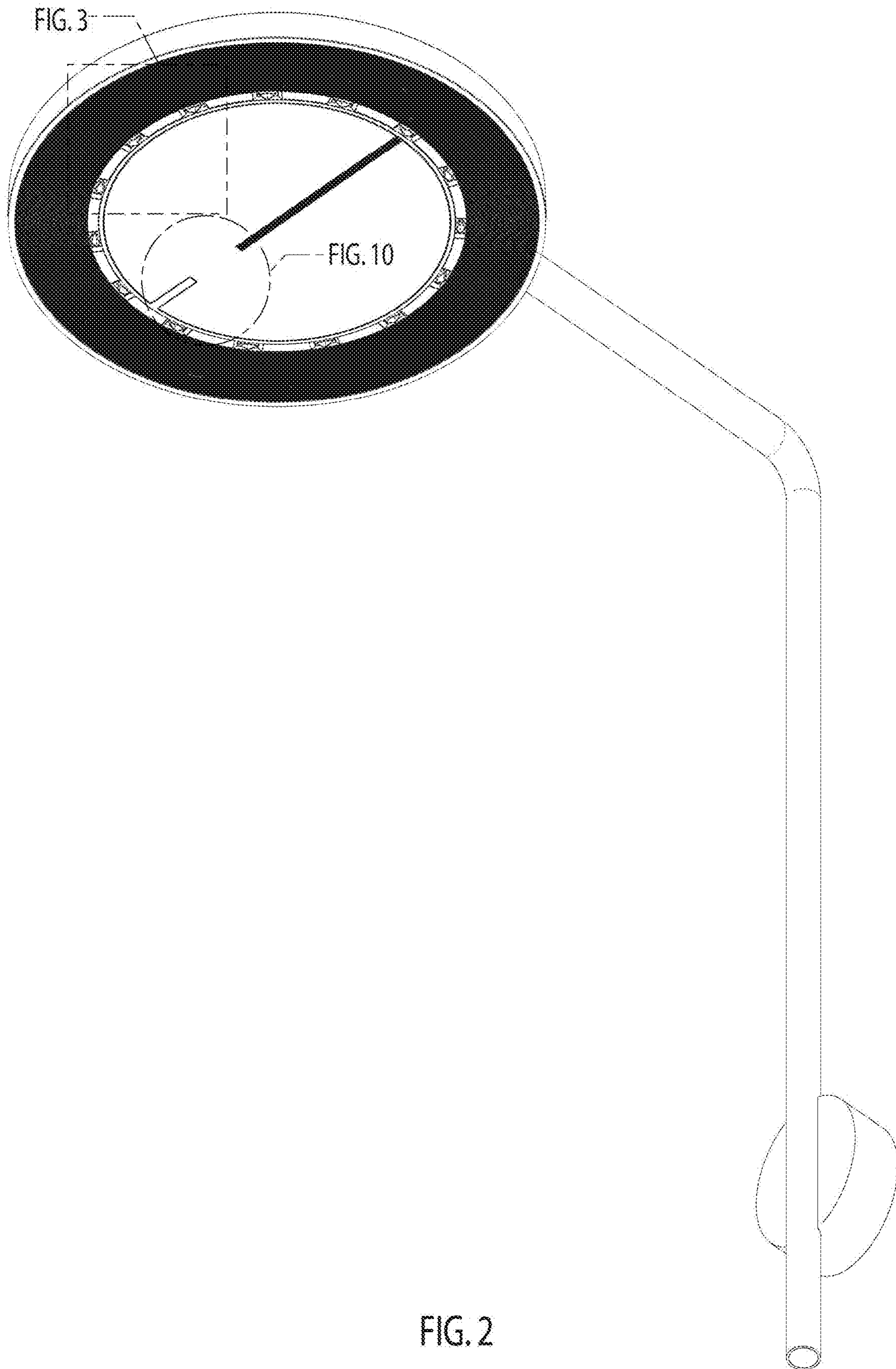


FIG. 2

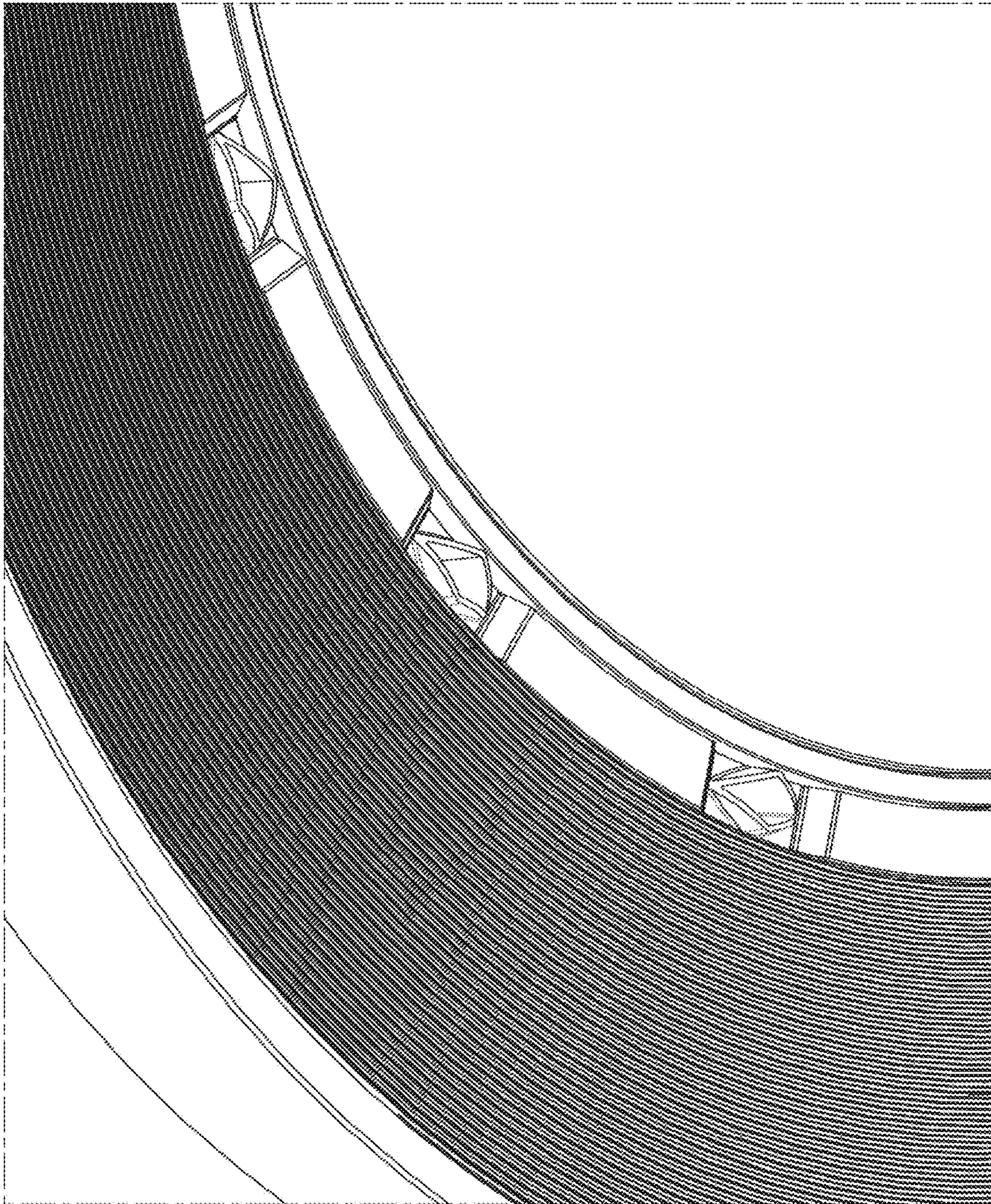


FIG. 3

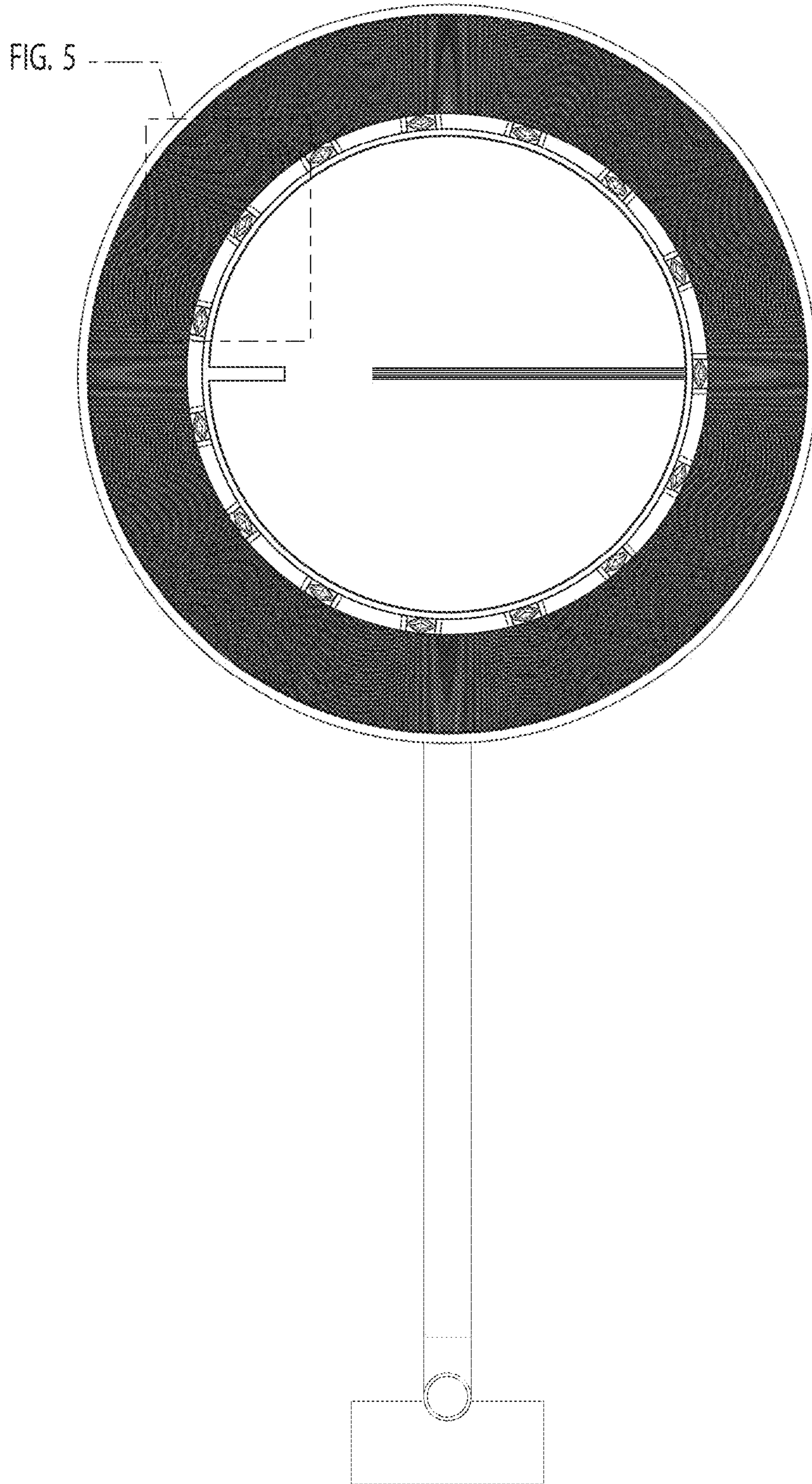


FIG. 5

FIG. 4

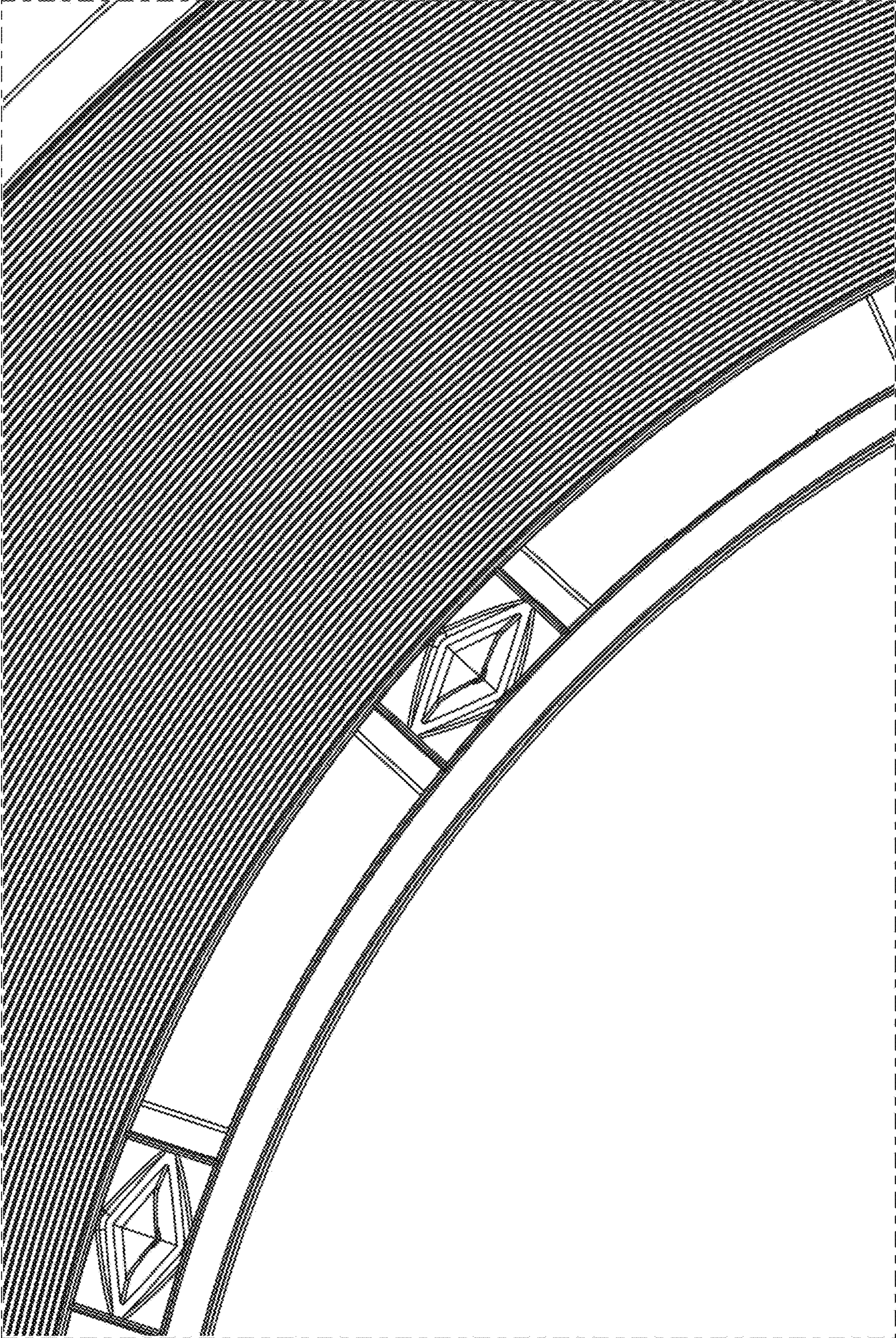


FIG. 5

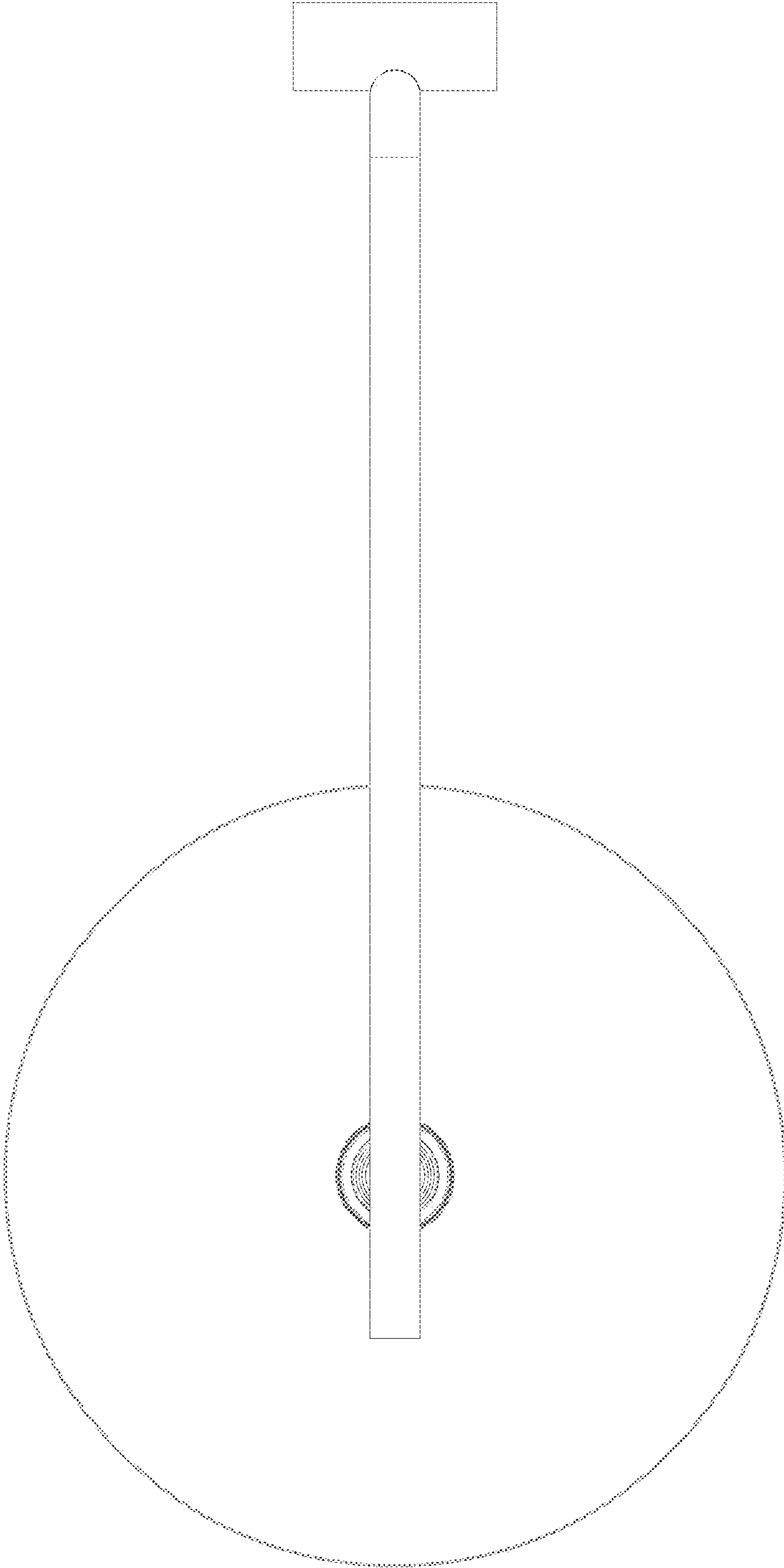


FIG. 6

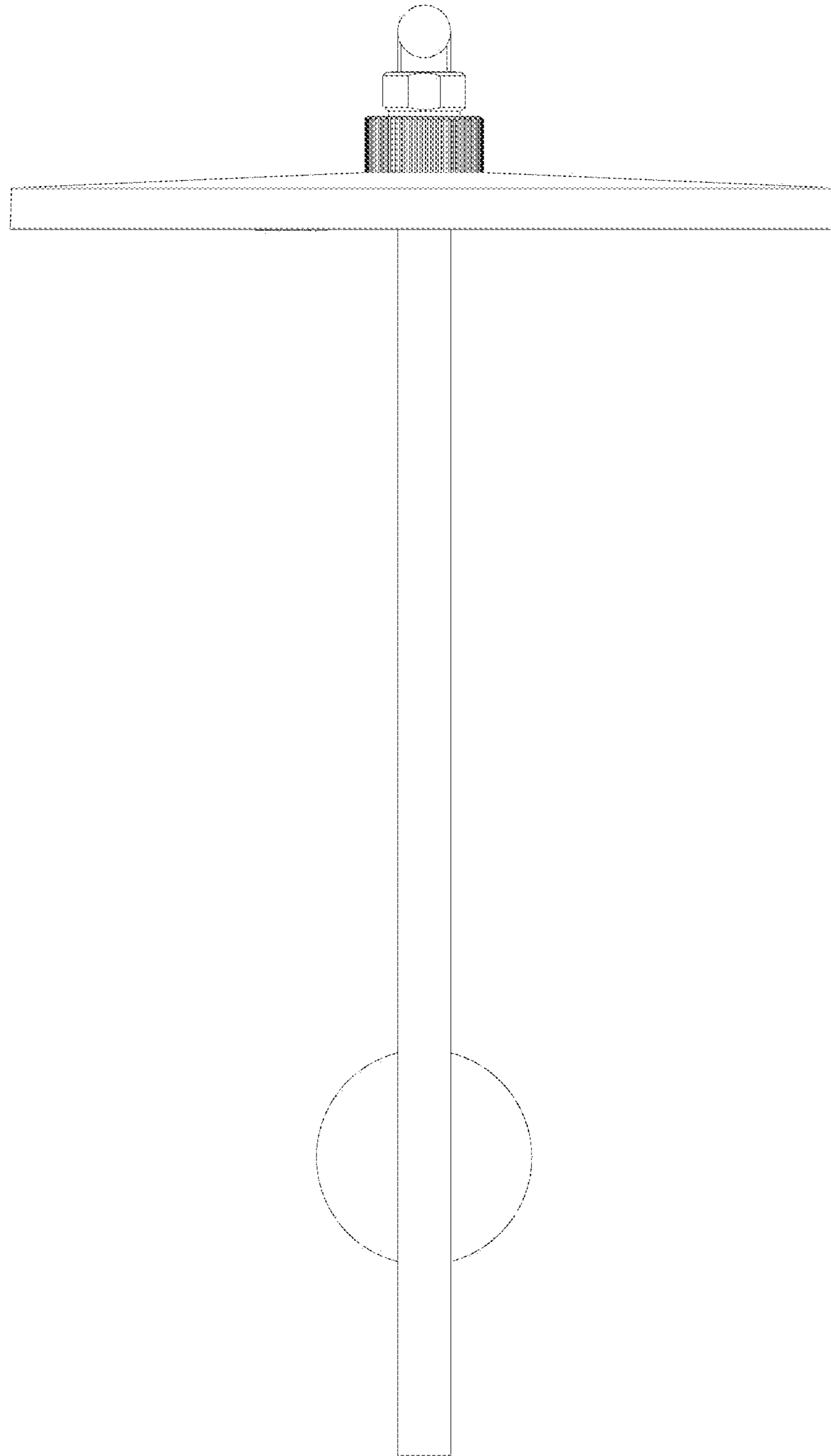


FIG. 7

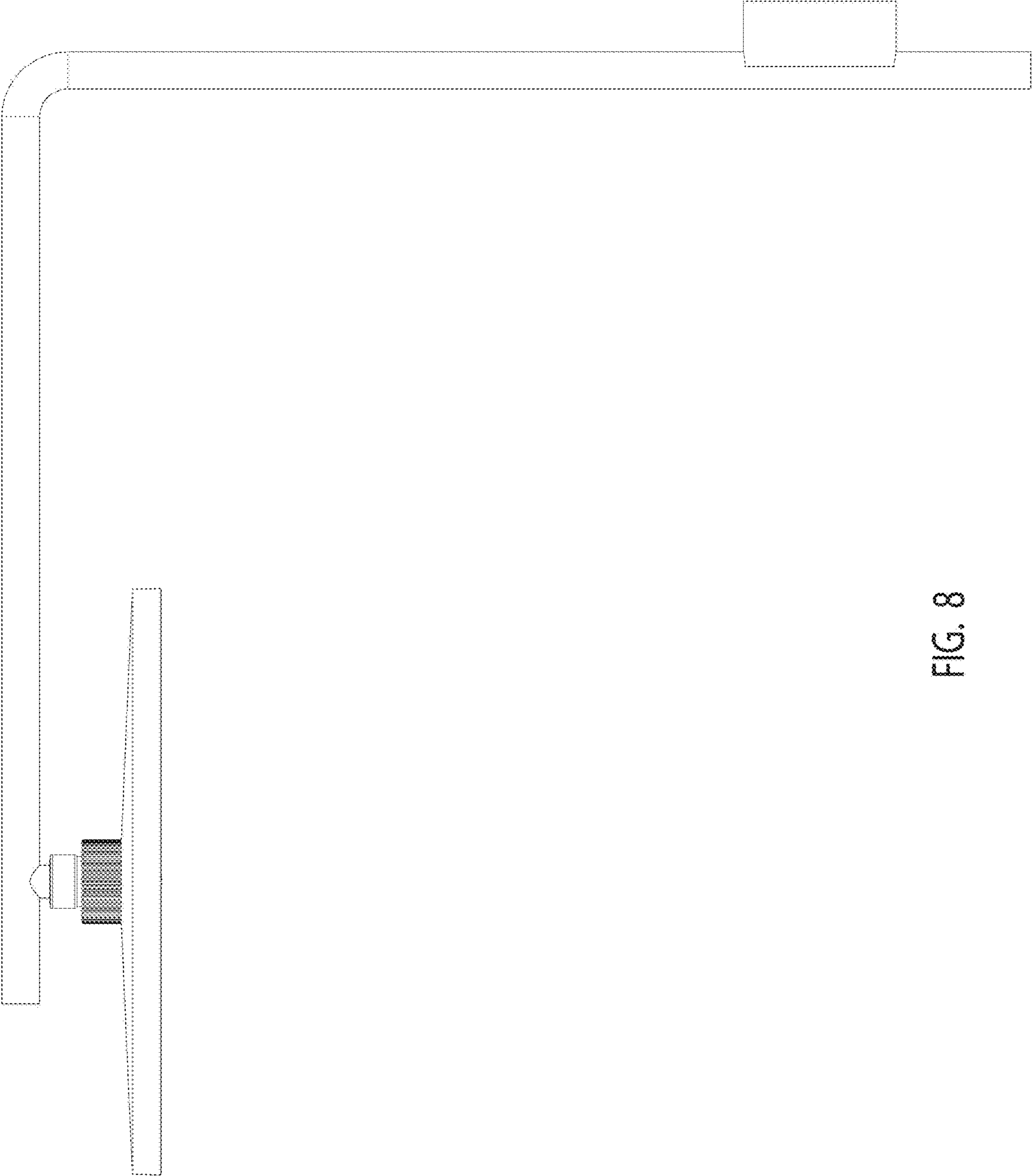


FIG. 8

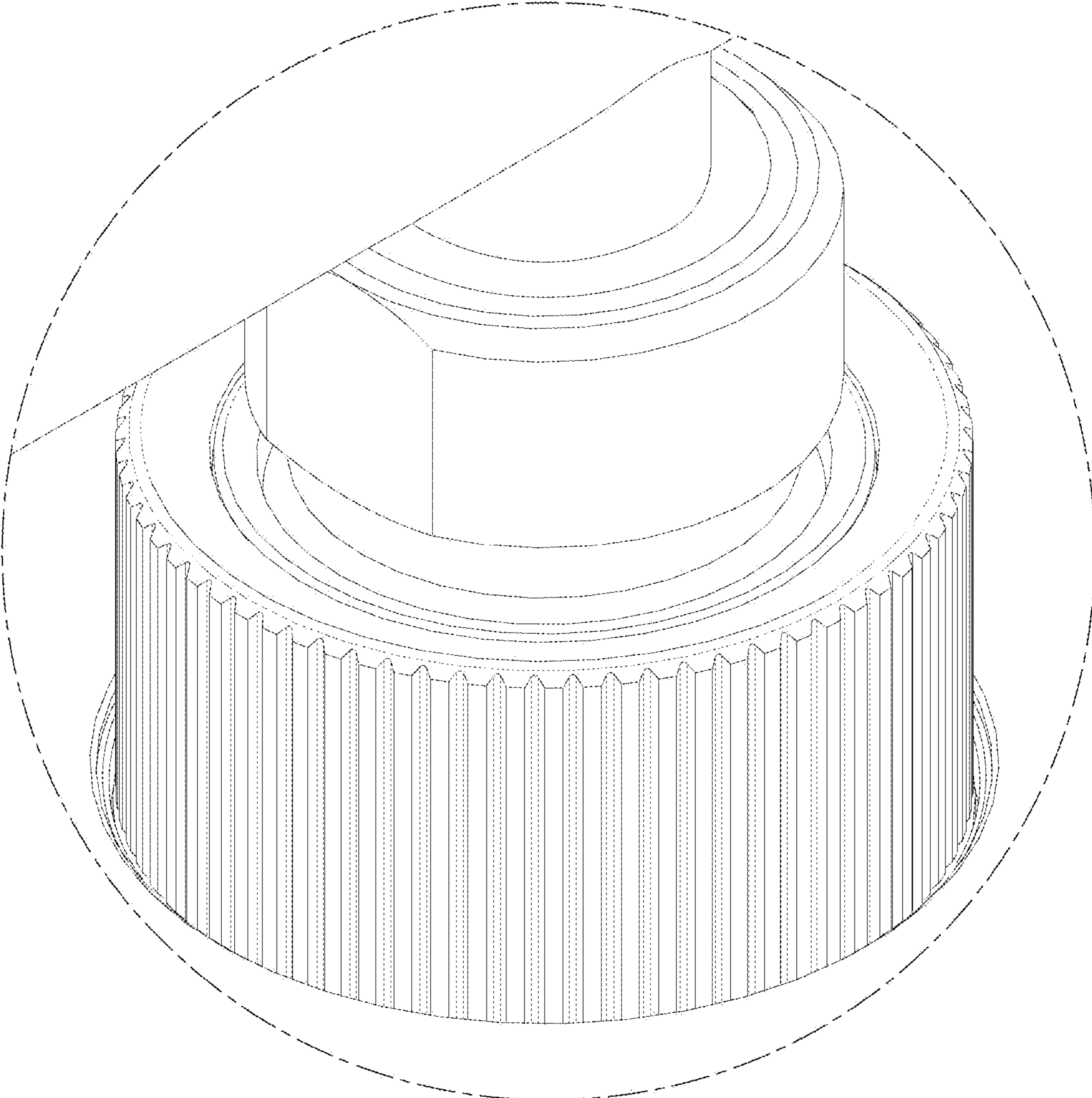


FIG. 9

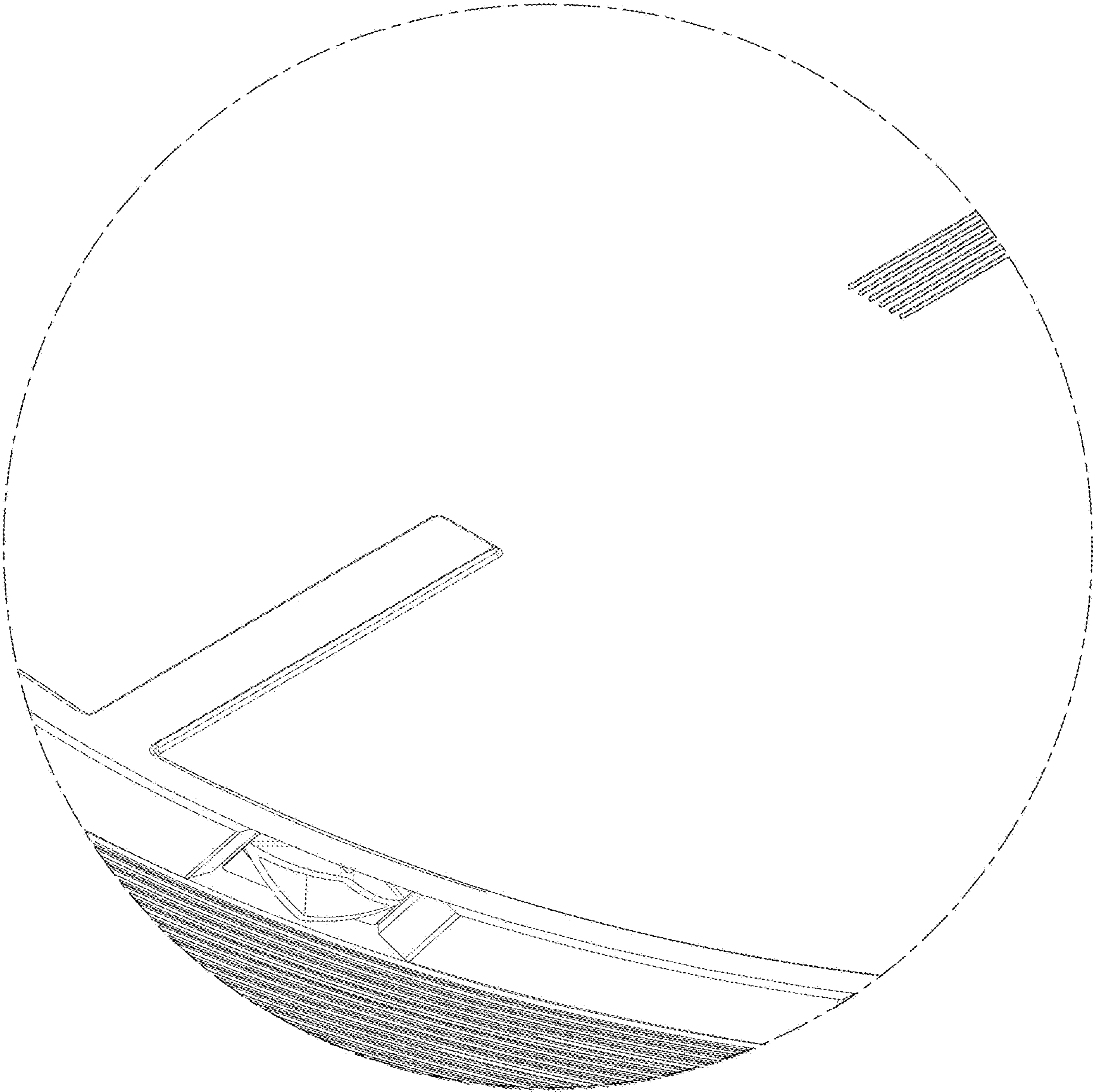


FIG. 10