



US00D926286S

(12) **United States Design Patent** (10) **Patent No.:** **US D926,286 S**  
**Hellman et al.** (45) **Date of Patent:** **\*\* Jul. 27, 2021**

(54) **OIL FILTER** 4,560,477 A 12/1985 Moldow  
4,681,189 A 7/1987 Krisiloff  
(71) Applicant: **Briggs & Stratton, LLC**, Wauwatosa, WI (US) 4,724,806 A 2/1988 Hartwig  
(Continued)

(72) Inventors: **Adam J. Hellman**, Bayside, WI (US);  
**John Schneiker**, Muskego, WI (US)

(73) Assignee: **Briggs & Stratton, LLC**, Wauwatosa, WI (US)

(\*\*) Term: **15 Years**

(21) Appl. No.: **29/694,882**

(22) Filed: **Jun. 13, 2019**

**FOREIGN PATENT DOCUMENTS**

CN 304666145 \* 1/2018  
DE 10 2006 017 924 A1 10/2007  
(Continued)

**OTHER PUBLICATIONS**

Mann-Filter, announced Oct. 10, 2007[online], [site visited Dec. 30, 2020]. Available from internet, URL:<<https://www.amazon.com/Mann-Filter-WK-853-Fuel-Filter/dp/B000CB9558>> (Year: 2007).  
(Continued)

**Related U.S. Application Data**

(62) Division of application No. 29/617,887, filed on Sep. 15, 2017, now Pat. No. Des. 854,650.

(51) **LOC (13) Cl.** ..... **23-01**

(52) **U.S. Cl.**  
USPC ..... **D23/209**

(58) **Field of Classification Search**  
USPC ..... D23/207–210, 365  
CPC ..... B01D 35/00; B01D 27/00; B01D 39/18  
See application file for complete search history.

(56) **References Cited**

**U.S. PATENT DOCUMENTS**

2,106,218 A 1/1938 Kriek  
2,134,161 A 10/1938 Watson  
2,322,463 A 6/1943 McDonald  
2,621,796 A 12/1952 Wilkinson  
D181,664 S \* 12/1957 Muller ..... D23/209  
3,417,562 A 12/1968 Morris  
3,950,251 A 4/1976 Hiller  
4,151,823 A 5/1979 Grosse et al.  
4,353,163 A 10/1982 Overbury et al.

*Primary Examiner* — Barbara Fox

*Assistant Examiner* — Jamaal Rasheed

(74) *Attorney, Agent, or Firm* — Foley & Lardner LLP

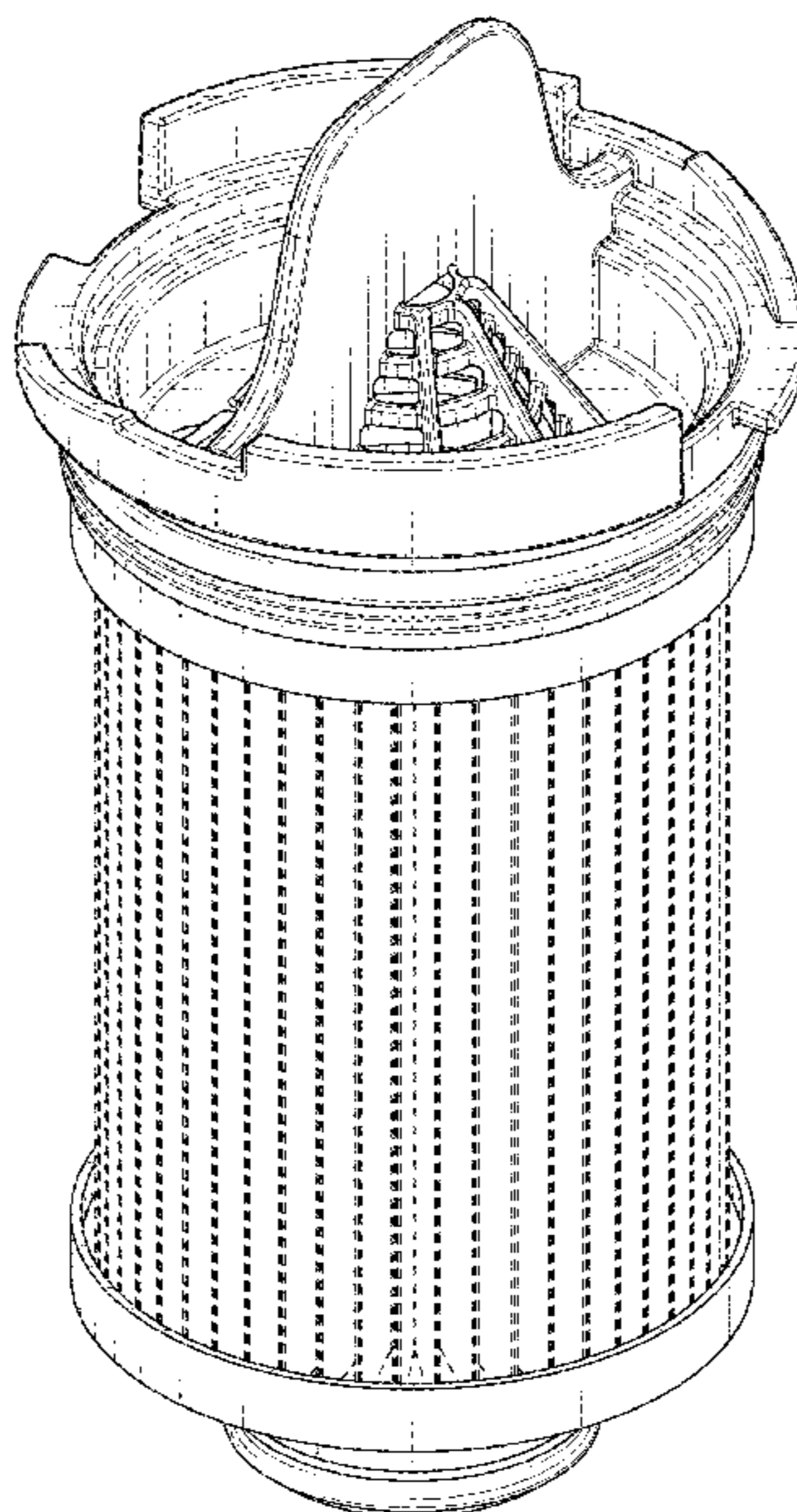
(57) **CLAIM**

We claim the ornamental design for an oil filter, as shown and described.

**DESCRIPTION**

FIG. 1 is a front perspective view from above of an oil filter, according to the claimed design;  
FIG. 2 is a front perspective view from below of the claimed design of FIG. 1;  
FIG. 3 is a front view of the claimed design of FIG. 1;  
FIG. 4 is a rear view of the claimed design of FIG. 1;  
FIG. 5 is a right side view of the claimed design of FIG. 1;  
FIG. 6 is a left side view of the claimed design of FIG. 1;  
FIG. 7 is a top view of the claimed design of FIG. 1; and,  
FIG. 8 is a bottom view of the claimed design of FIG. 1.  
The broken lines shown in the drawings depict portions of the oil filter that form no part of the claimed design.

**1 Claim, 7 Drawing Sheets**



(56)

References Cited

U.S. PATENT DOCUMENTS

RE32,620 E 3/1988 Iwai  
 4,750,456 A 6/1988 Ladrach  
 4,903,654 A 2/1990 Sato et al.  
 D317,040 S 5/1991 Petrucci et al.  
 5,031,591 A 7/1991 Shinoda et al.  
 5,035,797 A 7/1991 Janik  
 5,112,476 A 5/1992 Cote et al.  
 5,568,842 A 10/1996 Otani  
 5,634,832 A 6/1997 Nakase et al.  
 5,753,071 A \* 5/1998 Spencer ..... B01D 29/21  
 156/446  
 5,755,194 A 5/1998 Moorman et al.  
 D403,740 S 1/1999 Kott et al.  
 5,979,392 A 11/1999 Moorman et al.  
 6,032,635 A 3/2000 Moorman et al.  
 6,048,455 A 4/2000 Janik  
 6,167,990 B1 1/2001 Peng  
 6,230,680 B1 5/2001 Pirone  
 6,305,342 B1 10/2001 Narita et al.  
 D455,194 S 4/2002 Kurth et al.  
 6,459,995 B1 10/2002 Collister  
 D466,969 S 12/2002 Druga  
 6,524,149 B1 2/2003 Hattori  
 6,679,692 B1 1/2004 Fueling  
 6,874,593 B2 4/2005 Abend et al.  
 7,017,546 B1 3/2006 Patel et al.  
 D521,137 S \* 5/2006 Khalil ..... A47L 5/24  
 D23/365  
 7,162,991 B2 1/2007 White et al.  
 7,174,876 B2 2/2007 Suzuki et al.  
 7,188,601 B1 3/2007 Trease  
 7,219,645 B2 5/2007 Lamb et al.  
 7,290,995 B2 11/2007 Ohnishi et al.  
 7,648,565 B2 1/2010 Jiang  
 D626,204 S \* 10/2010 Morgan ..... D23/365  
 7,967,981 B2 6/2011 Talamali  
 D646,750 S \* 10/2011 Salvador ..... D23/209  
 D647,594 S \* 10/2011 Bridges ..... D23/209  
 8,028,672 B2 10/2011 Prior et al.  
 D648,565 S 11/2011 Frinier  
 D648,822 S 11/2011 Salvador et al.  
 D717,912 S 11/2014 Huda et al.  
 8,910,610 B2 12/2014 Thayer

9,333,448 B2 5/2016 Braunheim et al.  
 9,469,551 B2 10/2016 Sherman et al.  
 9,567,616 B2 2/2017 Ujihara et al.  
 D782,000 S \* 3/2017 Morris ..... D23/209  
 9,597,616 B2 3/2017 Blunt et al.  
 9,624,797 B2 4/2017 Bonde et al.  
 D825,029 S \* 8/2018 Goldman ..... D23/209  
 D854,650 S \* 7/2019 Hellman ..... D23/209  
 D855,755 S \* 8/2019 Coelho ..... D23/209  
 D882,038 S \* 4/2020 Loepfe ..... D23/209  
 10,612,258 B2 \* 4/2020 Coelho ..... B01D 35/306  
 2001/0015182 A1 8/2001 Moorman et al.  
 2006/0096809 A1 5/2006 Evans  
 2007/0181481 A1 \* 8/2007 Reynolds ..... B01D 35/147  
 210/304  
 2008/0115488 A1 5/2008 Iida et al.  
 2008/0179139 A1 7/2008 Montgomery  
 2009/0173580 A1 7/2009 Papas  
 2013/0048088 A1 2/2013 Miller  
 2017/0138232 A1 5/2017 Hellman et al.  
 2018/0334934 A1 11/2018 Hellman et al.

FOREIGN PATENT DOCUMENTS

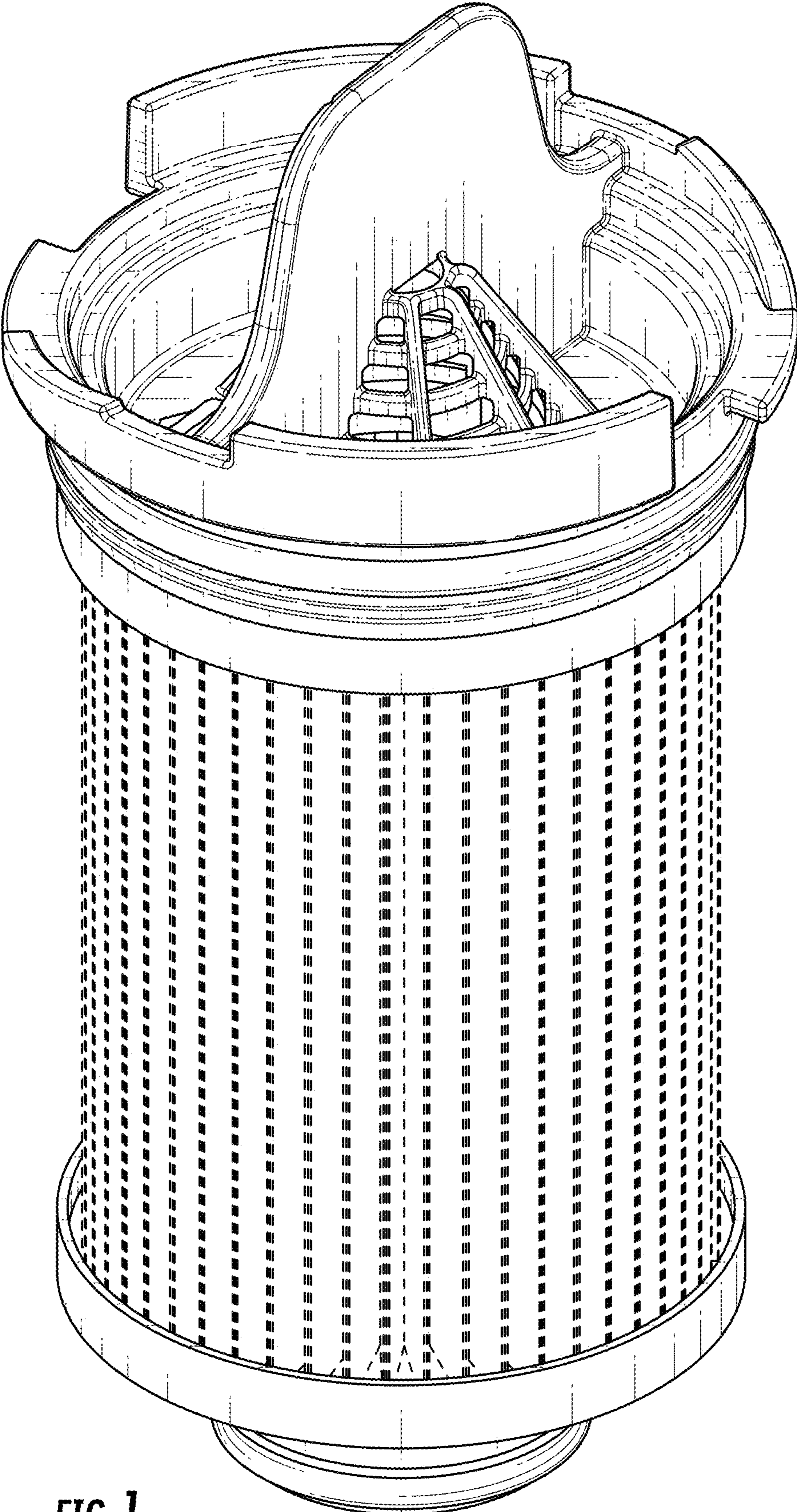
EM 000113261-0004 \* 12/2003  
 EP 0 638 708 A1 2/1995  
 EP 0 752 518 A1 1/1997  
 EP 1 199 447 A1 4/2002  
 EP 1 201 883 A2 5/2002  
 JP 62-165016 A 7/1987  
 JP 2008-115727 A 5/2008  
 KR 300837385.0000 \* 12/2014  
 WO WO-95/20099 A1 7/1995  
 WO WO-2017/083101 A1 5/2017

OTHER PUBLICATIONS

PG Oil Filter, announced May 14, 2018[online], [site visited Dec. 30, 2002]. Available from internet, URL:<<https://www.amazon.com/Premium-Guard-PG99139-2016-2018-Chevrolet/dp/B07D2GQ2L4>> (Year: 2018).  
 International Search Report and Written Opinion, PCT/US2016/058909, Briggs & Stratton Corporation, 12 pages dated Jan. 31, 2017.

\* cited by examiner





**FIG. 1**

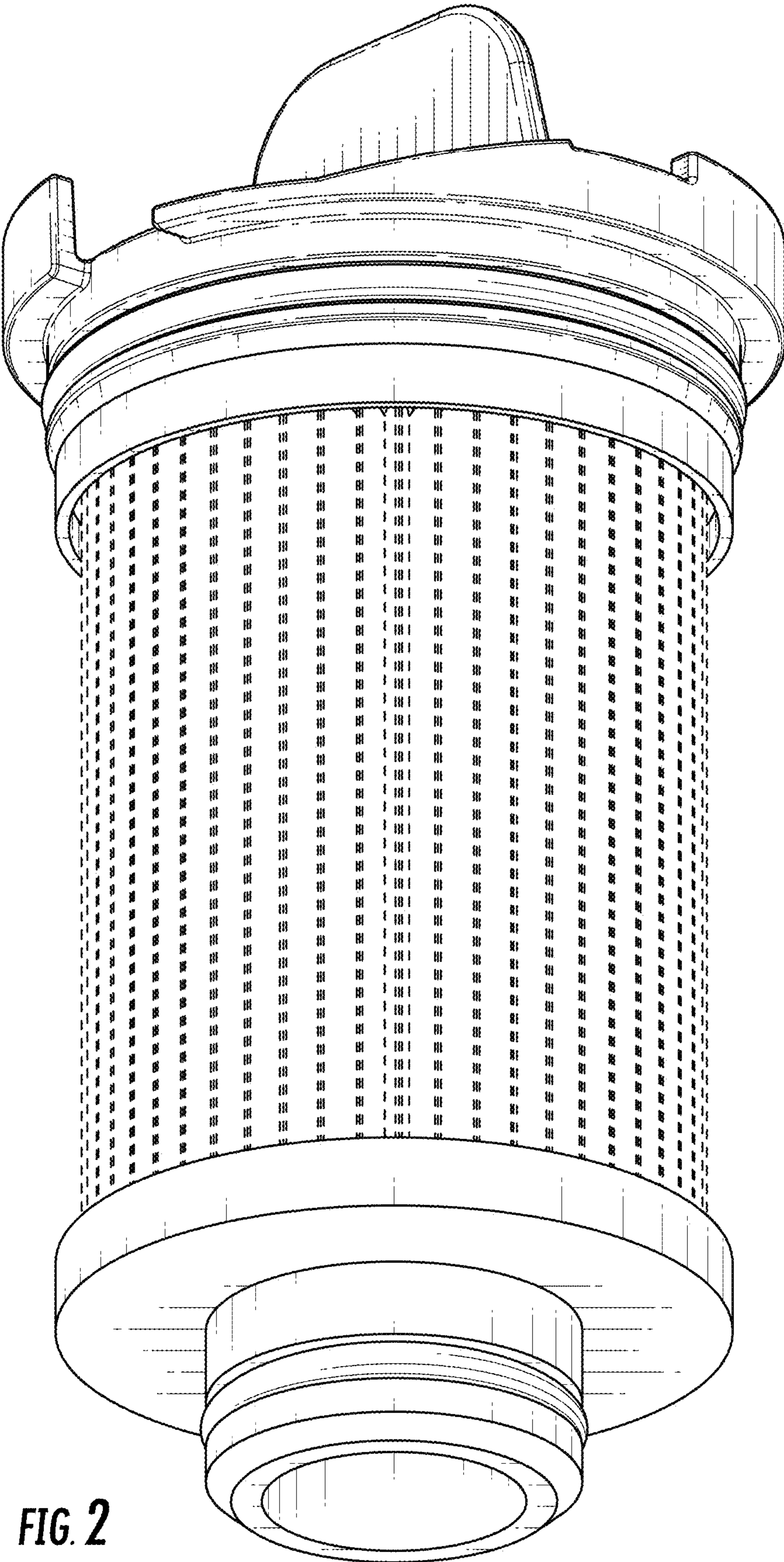
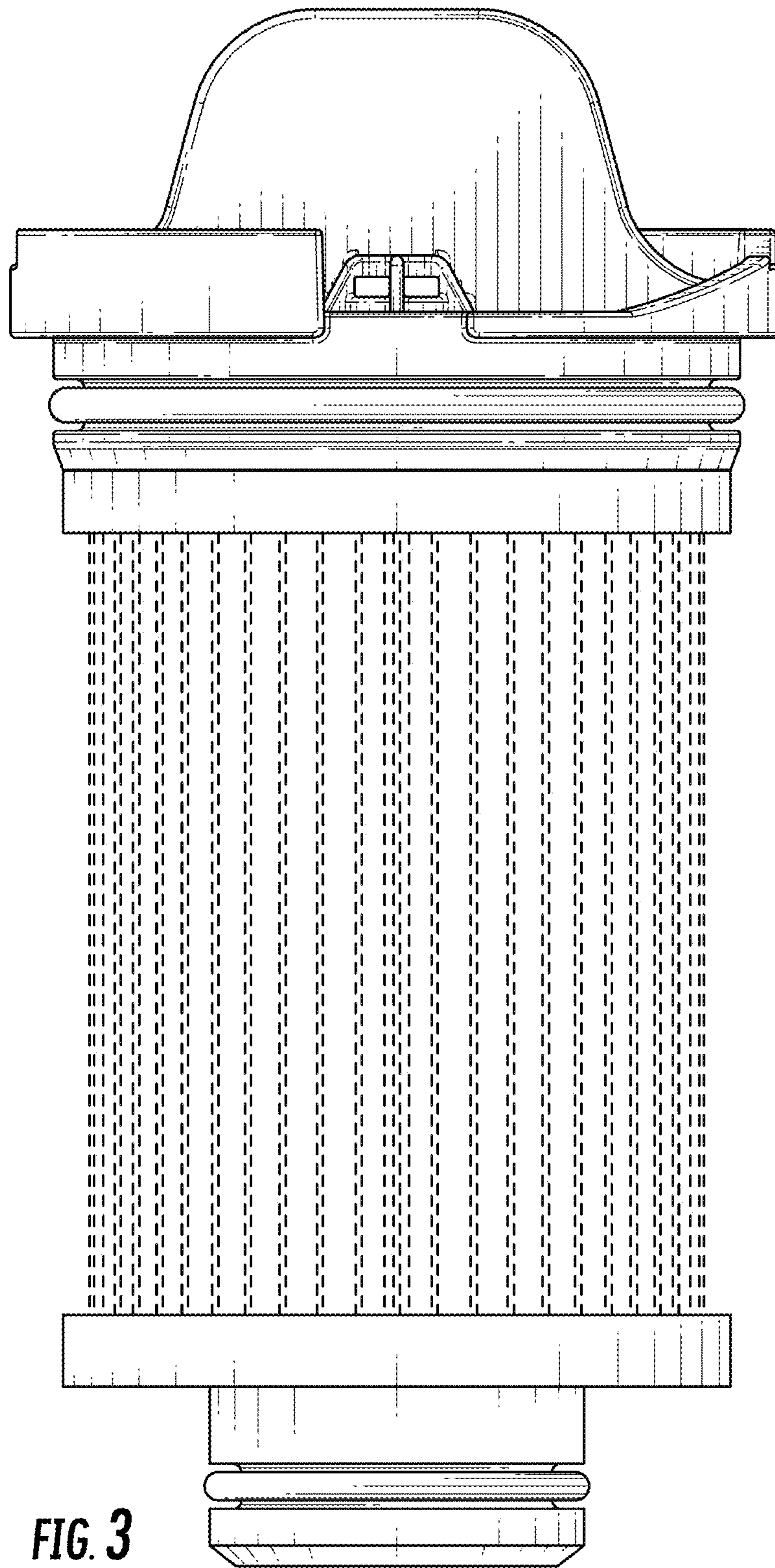
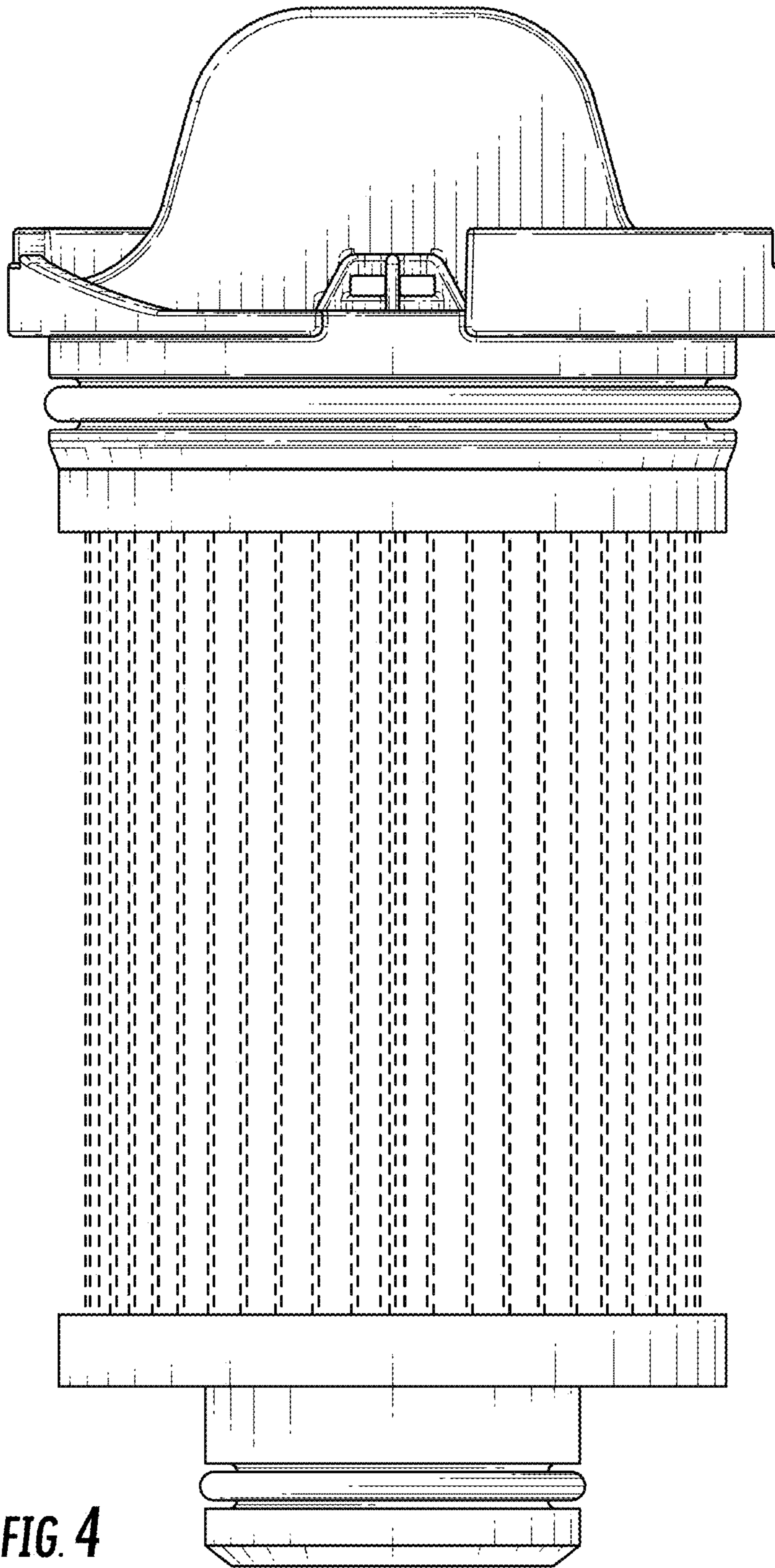


FIG. 2

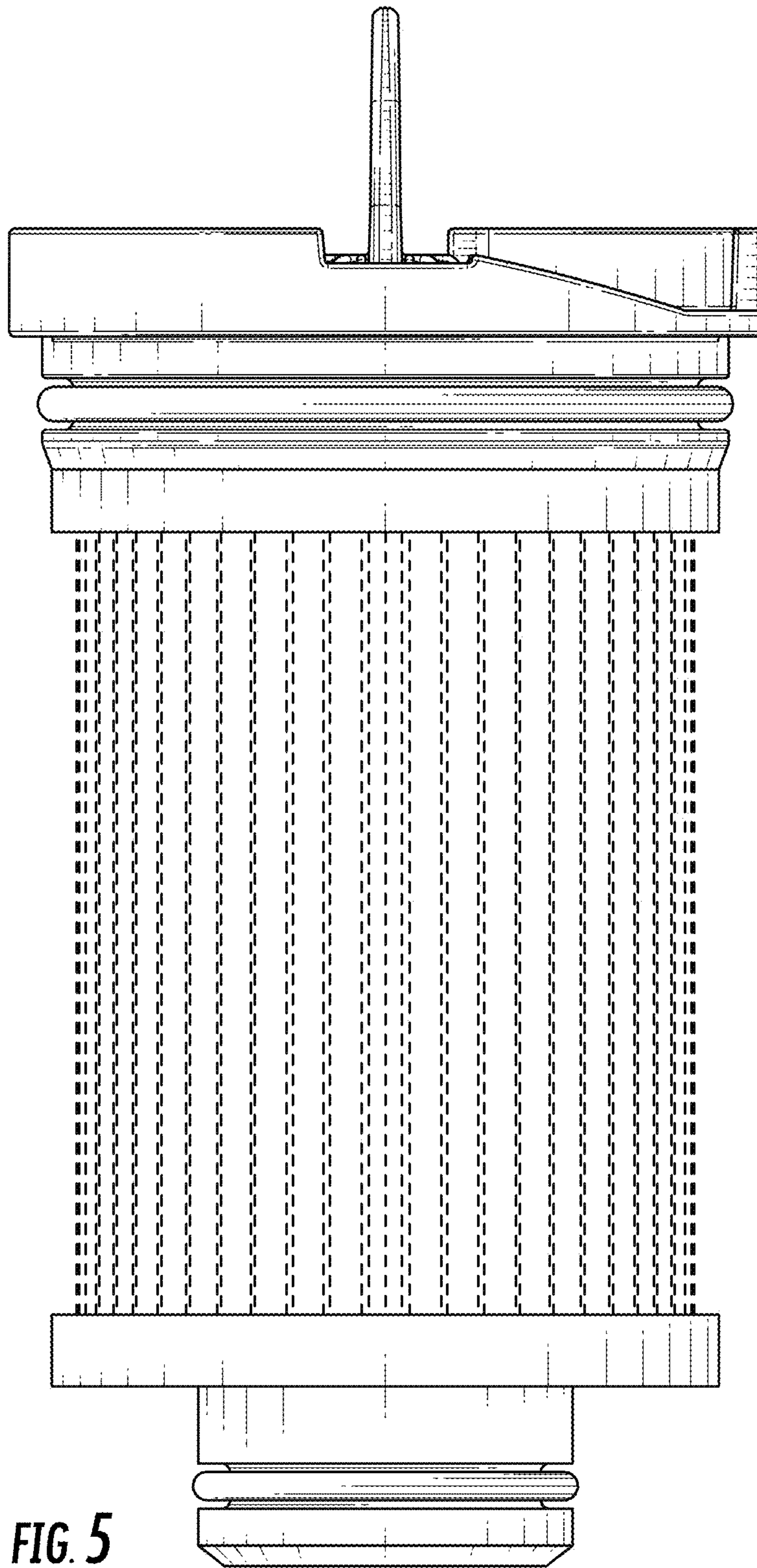




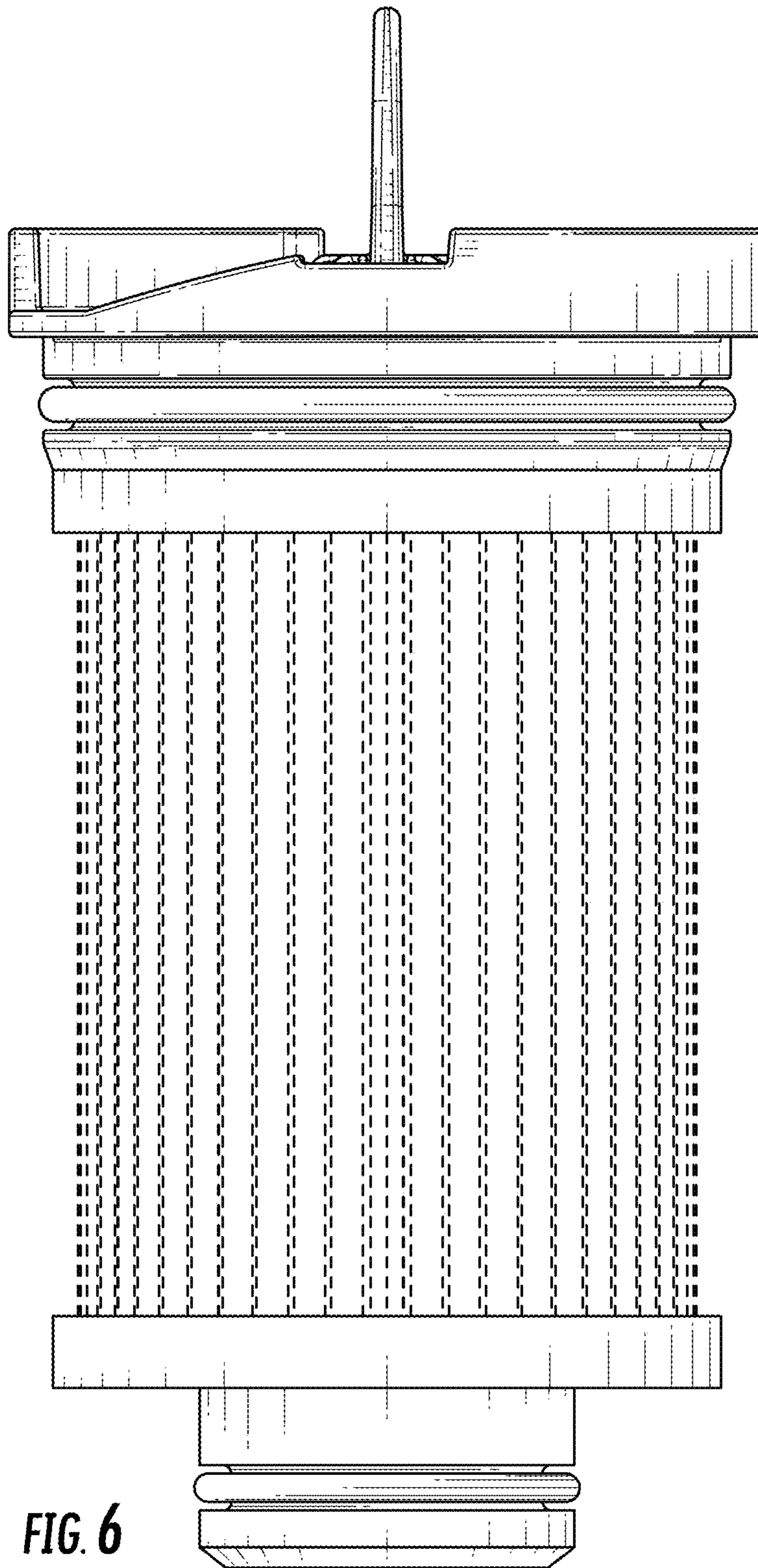
**FIG. 3**



**FIG. 4**

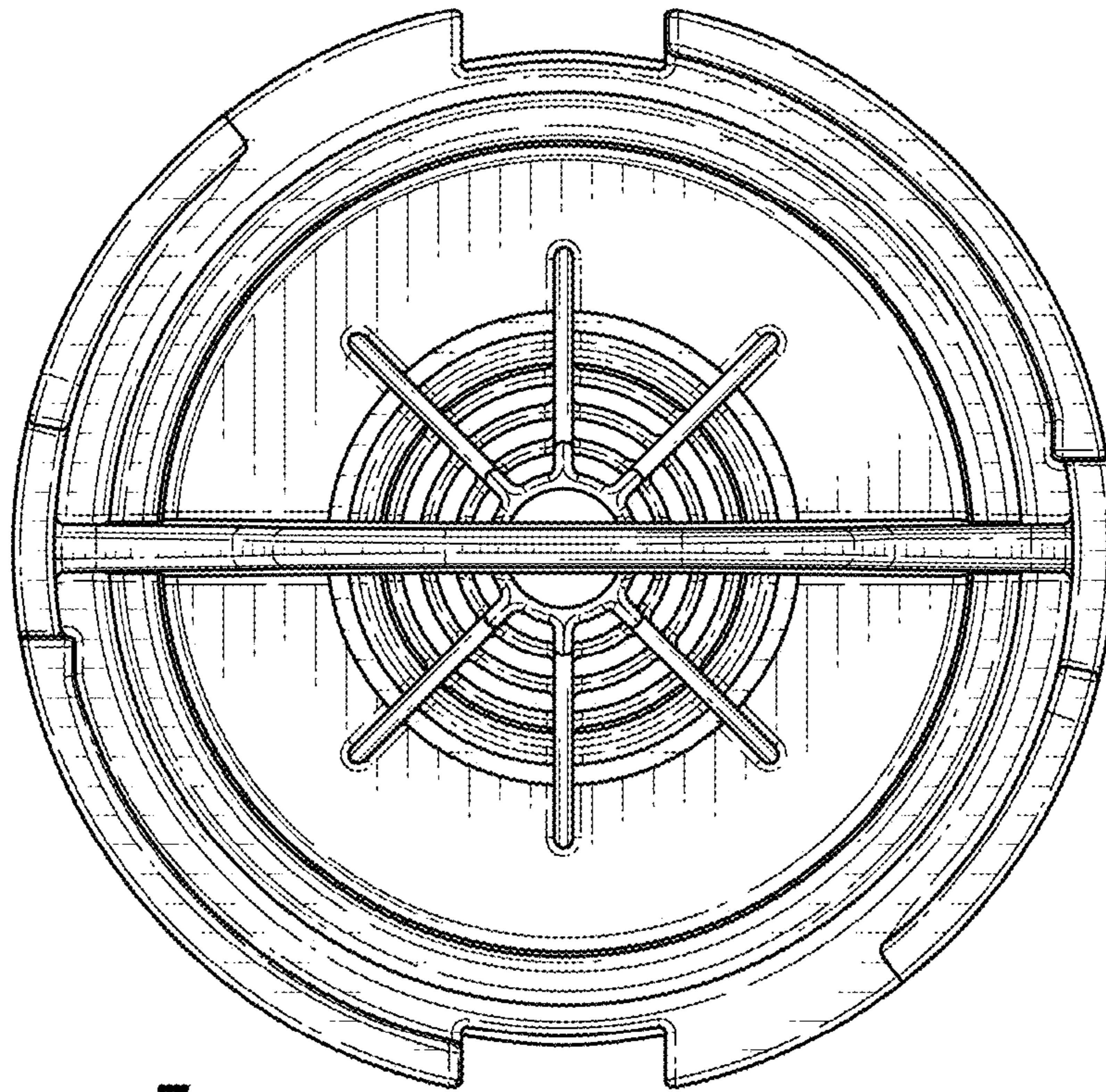


**FIG. 5**

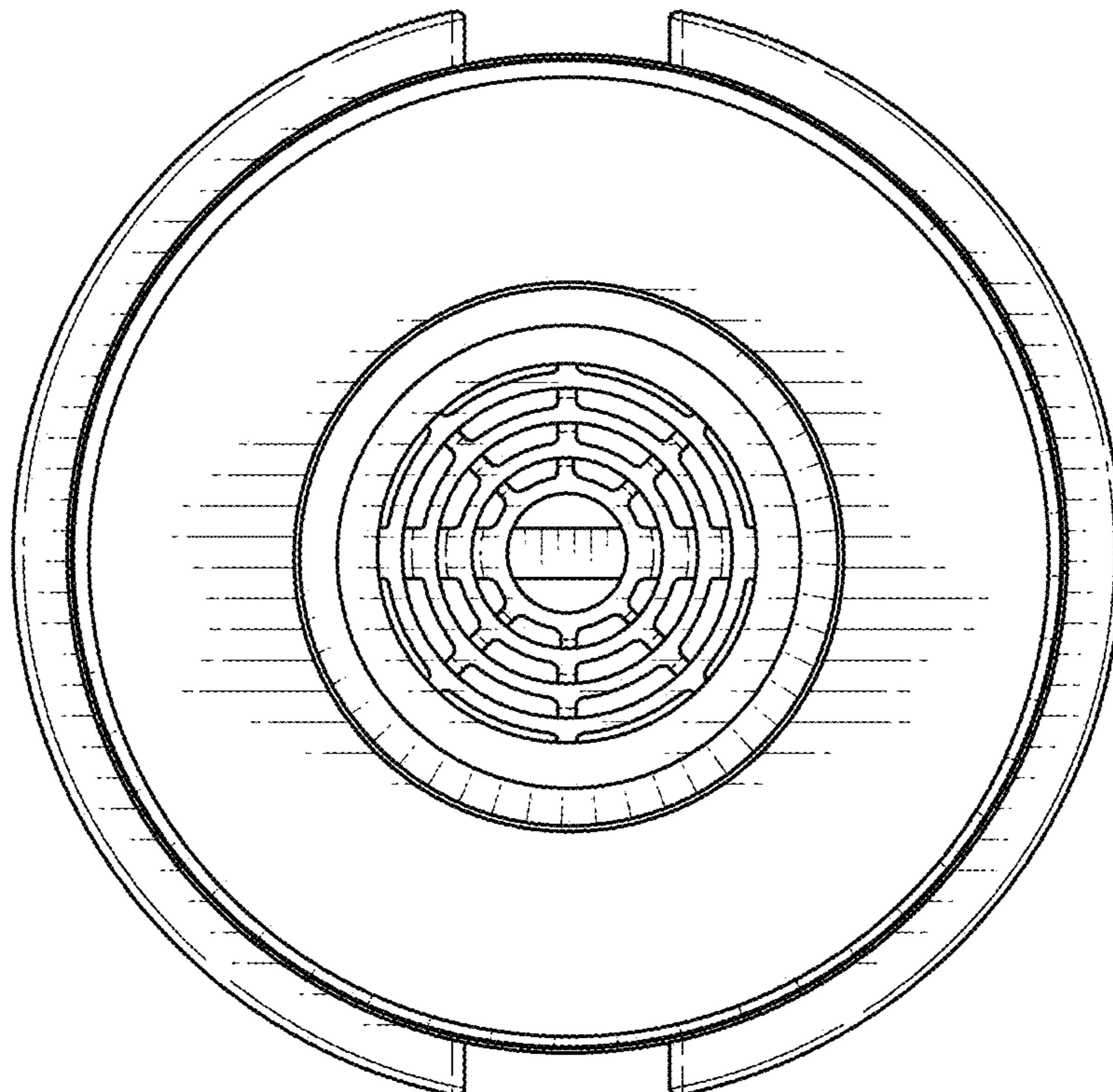


**FIG. 6**





**FIG. 7**



**FIG. 8**