



US00D926285S

(12) **United States Design Patent** (10) **Patent No.:** **US D926,285 S**  
**Park** (45) **Date of Patent:** **\*\* Jul. 27, 2021**

(54) **WATER PURIFIER**

(71) Applicant: **Cuckoo Homesys Co., Ltd., Siheung-si (KR)**

(72) Inventor: **Seo Jun Park, Siheung-si (KR)**

(73) Assignee: **CUCKOO HOMESYS CO., LTD., Siheung-si (KR)**

(\*\*) Term: **15 Years**

(21) Appl. No.: **29/729,490**

(22) Filed: **Mar. 26, 2020**

(30) **Foreign Application Priority Data**

Oct. 11, 2019 (KR) ..... 30-2019-0048610

(51) **LOC (13) Cl.** ..... **23-01**

(52) **U.S. Cl.**  
USPC ..... **D23/207**

(58) **Field of Classification Search**  
USPC ..... D23/202, 203, 204, 205, 207;  
D7/306-308  
CPC ..... B65D 88/027; B65D 88/08; B65D 88/12;  
B65D 88/128-129; B65D 90/0033; B65D  
90/24; B65D 2590/0091; F17C 2201/035;  
F17C 2223/0153; C02F 1/002; C02F  
1/003

See application file for complete search history.

(56) **References Cited**

**U.S. PATENT DOCUMENTS**

D717,911 S \* 11/2014 Moon ..... D23/207  
D805,601 S \* 12/2017 Roh ..... D23/207  
D822,154 S \* 7/2018 Lee ..... D23/207  
D825,243 S \* 8/2018 Yoon ..... D7/308  
D842,428 S \* 3/2019 Choi ..... D23/207  
D842,966 S \* 3/2019 Shin ..... D23/207  
D853,772 S \* 7/2019 Park ..... D7/307

D876,147 S \* 2/2020 Rubin ..... D7/308  
D882,037 S \* 4/2020 Roh ..... D23/207  
D888,485 S \* 6/2020 Kim ..... D7/306  
D907,174 S \* 1/2021 Park ..... D23/207  
D913,412 S \* 3/2021 Lee ..... D23/207  
2019/0389740 A1\* 12/2019 Choi ..... B01D 35/30

**OTHER PUBLICATIONS**

Drinkpod 2000 Series Countertop Water Purifier, Oct. 6, 2017, allergybuyersclub.com, Jun. 3, 2021. URL: [https://www.allergybuyersclub.com/drinkpod\\_2000\\_series\\_countertop\\_water\\_purifier.html](https://www.allergybuyersclub.com/drinkpod_2000_series_countertop_water_purifier.html) (Year: 2017).\*

(Continued)

*Primary Examiner* — Jack Reickel

*Assistant Examiner* — Keith J Wilson

(74) *Attorney, Agent, or Firm* — STIP Law Group, LLC

(57) **CLAIM**

The ornamental design for water purifier, as shown and described.

**DESCRIPTION**

FIG. 1 is a perspective view of the water purifier, showing the present design.

FIG. 2 is a front view thereof.

FIG. 3 is a rear view thereof.

FIG. 4 is a left side view thereof.

FIG. 5 is a right side view thereof.

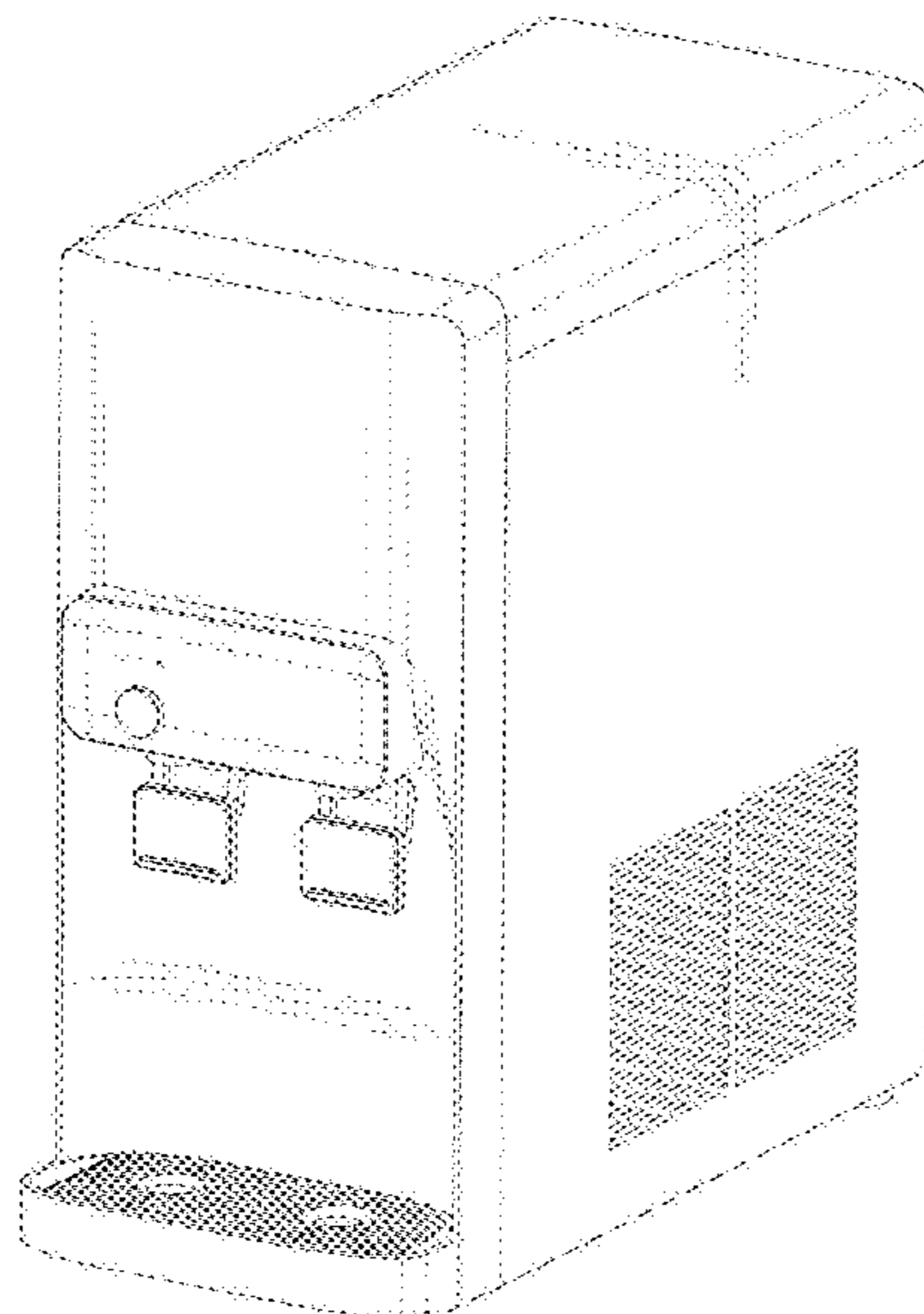
FIG. 6 is a top view of thereof.

FIG. 7 is a bottom view of thereof.

FIG. 8 is a sectional view taken along the line A-A' in the front view, which is enlarged figure of front control panel part; and,

FIG. 9 is a sectional view taken along the line B-B' in the front view, which is enlarged figure of front control panel part.

**1 Claim, 9 Drawing Sheets**



(56)

**References Cited**

## OTHER PUBLICATIONS

Avalon A8CTBOTTLELESSWHT Countertop Self Cleaning Touchless Bottleless Cooler Dispenser Hot & Cold Water, NSF Certified Filter, Apr. 21, 2017, Amazon.com, Jun. 7, 2021.URL: <https://www.amazon.com/Avalon-Countertop-Cleaning-Bottleless-Dispenser/dp/B0727KNZGL> (Year: 2017).\*

Geekpure 3-Stage Countertop Reverse Osmosis Drinking Water Dispenser, Feb. 18, 2020, Amazon.com Jun. 7, 2021.URL: <https://www.amazon.com/dp/B084FYNT2P> (Year: 2020).\*

Avalaon A9 Purifier, Aug. 8, 2019, Amazon.com, Jun. 7, 2021.URL: <https://www.amazon.com/Avalon-A9-Bottleless-Dispenser-3-Temperatures/dp/B084Q4ZGY3>, (Year: 2019).\*

Bottleless Countertop Water Dispenser, Mar. 1, 2018, Amazon.com Jun. 7, 2021.URL: <https://www.amazon.com/Bottleless-Countertop-Water-Dispenser-Only/dp/B01M1OUUQW> (Year: 2018).\*

Amay Desktop Water Cooler Dispenser, Oct. 22, 2019, Amazon.com Jun. 7, 2021.URL: <https://www.amazon.com/Amay-Desktop-Dispenser-Drinking-Fountain/dp/B07ZF9ZWQQ> (Year: 2019).\*

Hot And Cold Water Dispensers Top Loading, Mini Countertop, May 24, 2019. Amazon.com, Jun. 7, 2019.URL: <https://www.amazon.com/Hot-Dispensers-Countertop-Bottleless-Dispenser/dp/B07SDL4VMV> (Year: 2019).\*

\* cited by examiner

FIG. 1

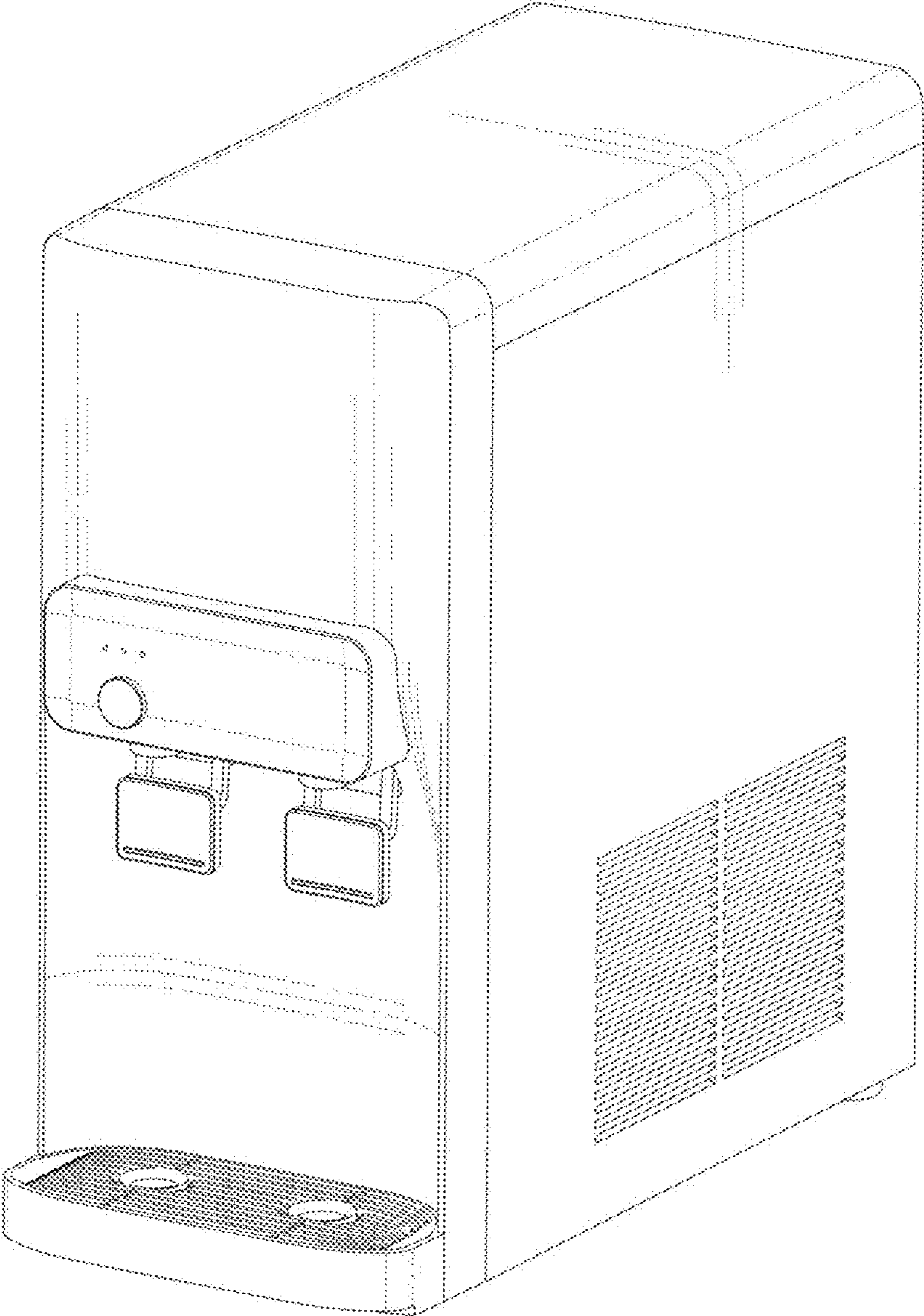


FIG. 2

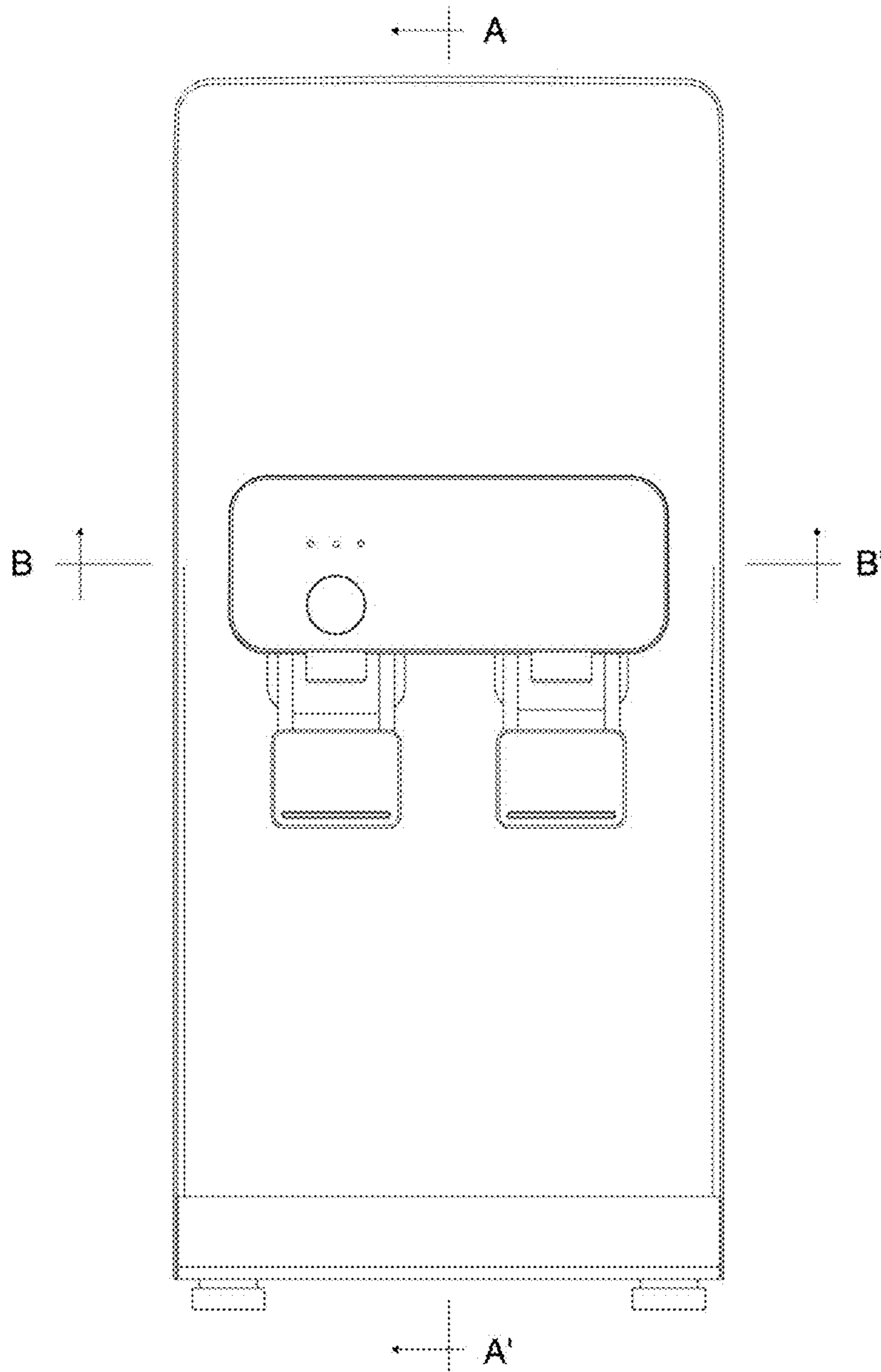


FIG. 3

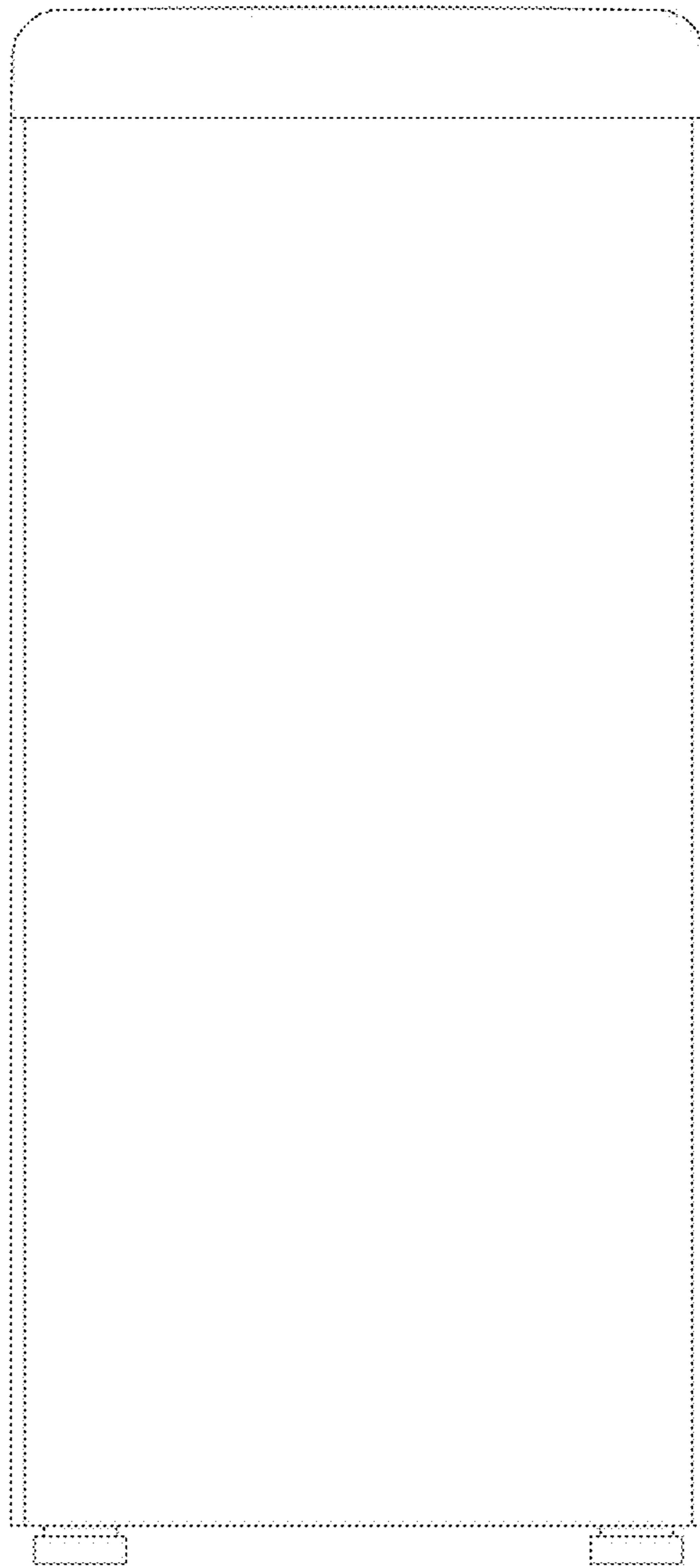


FIG. 4

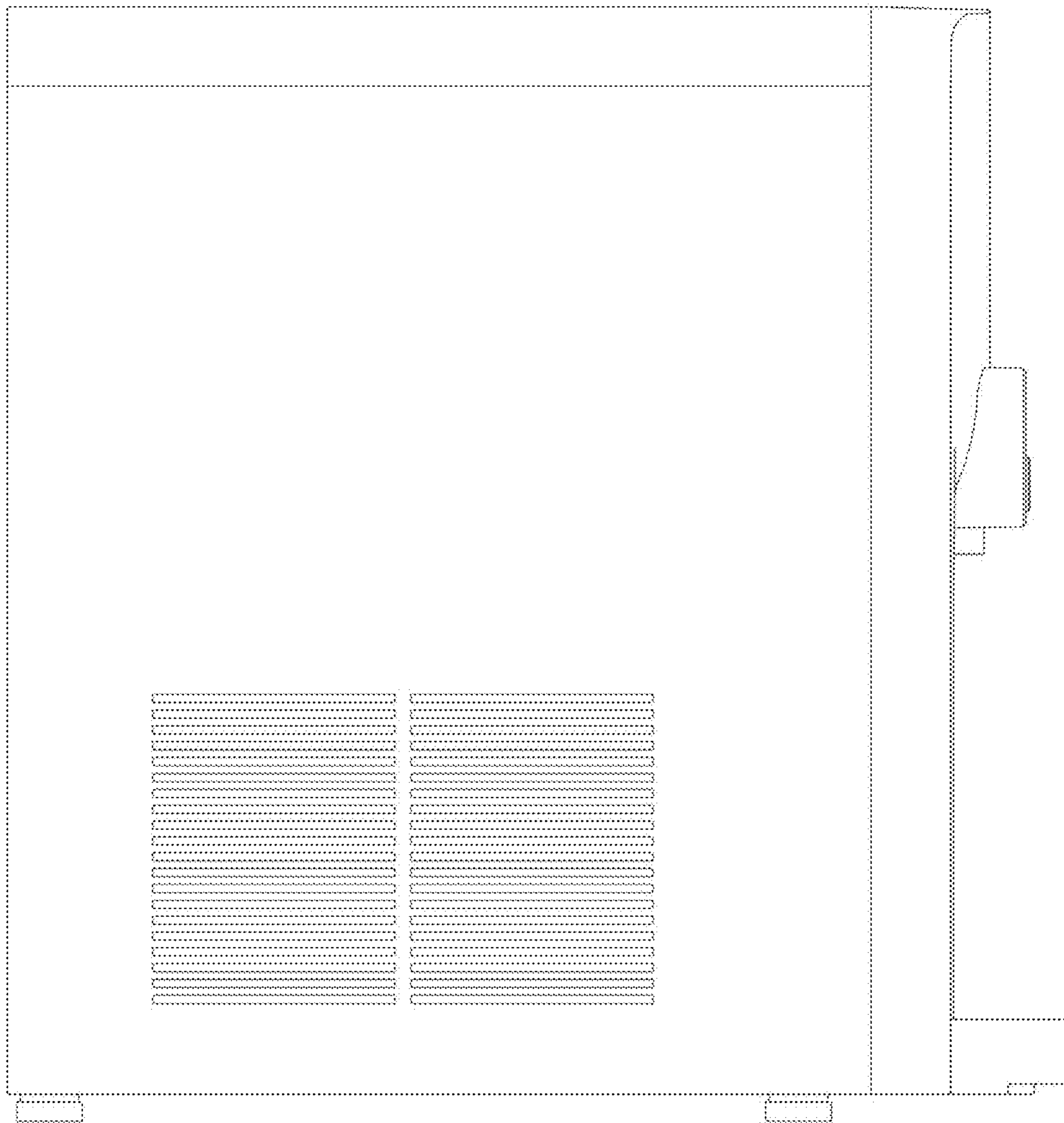


FIG. 5

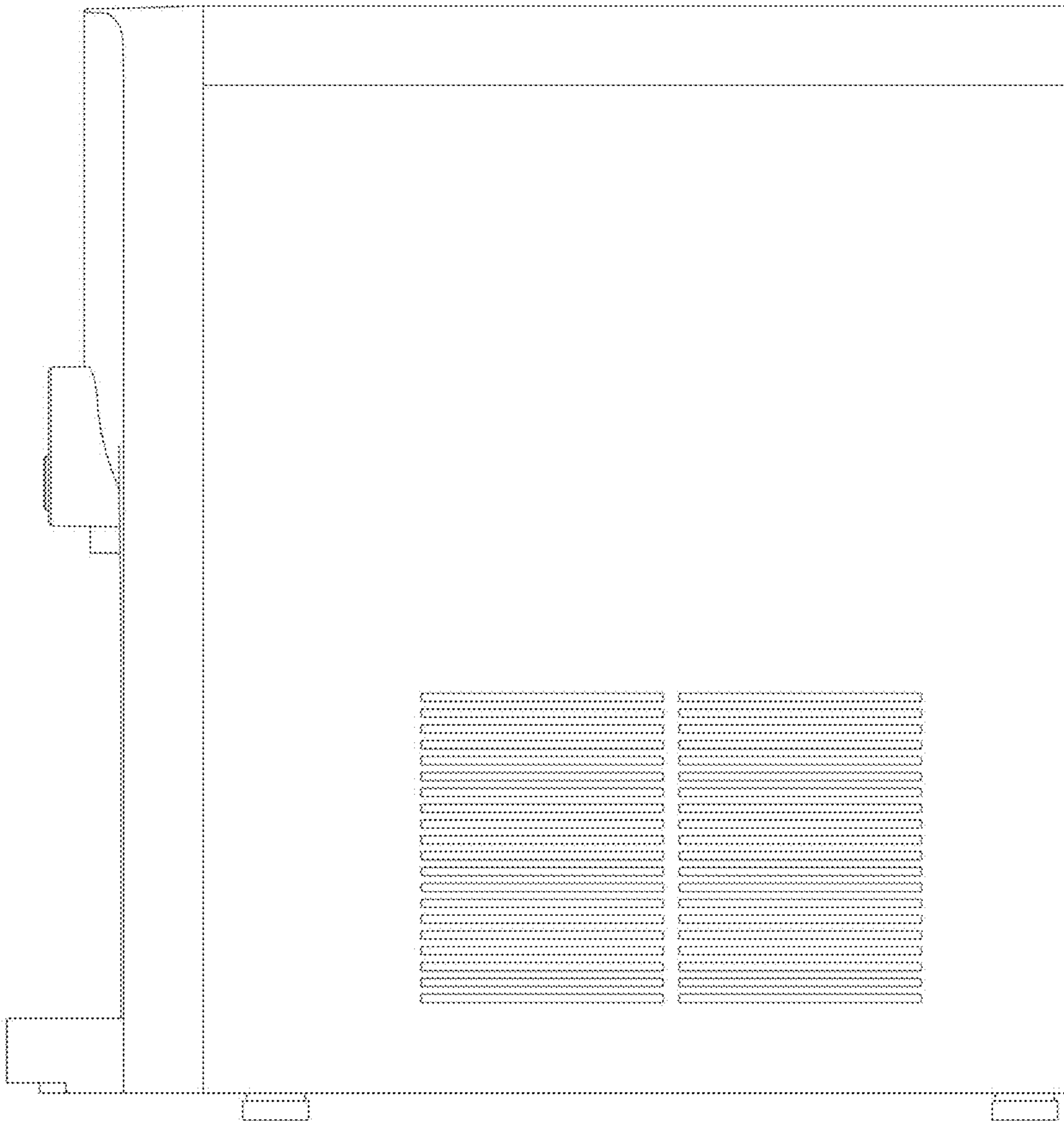


FIG. 6

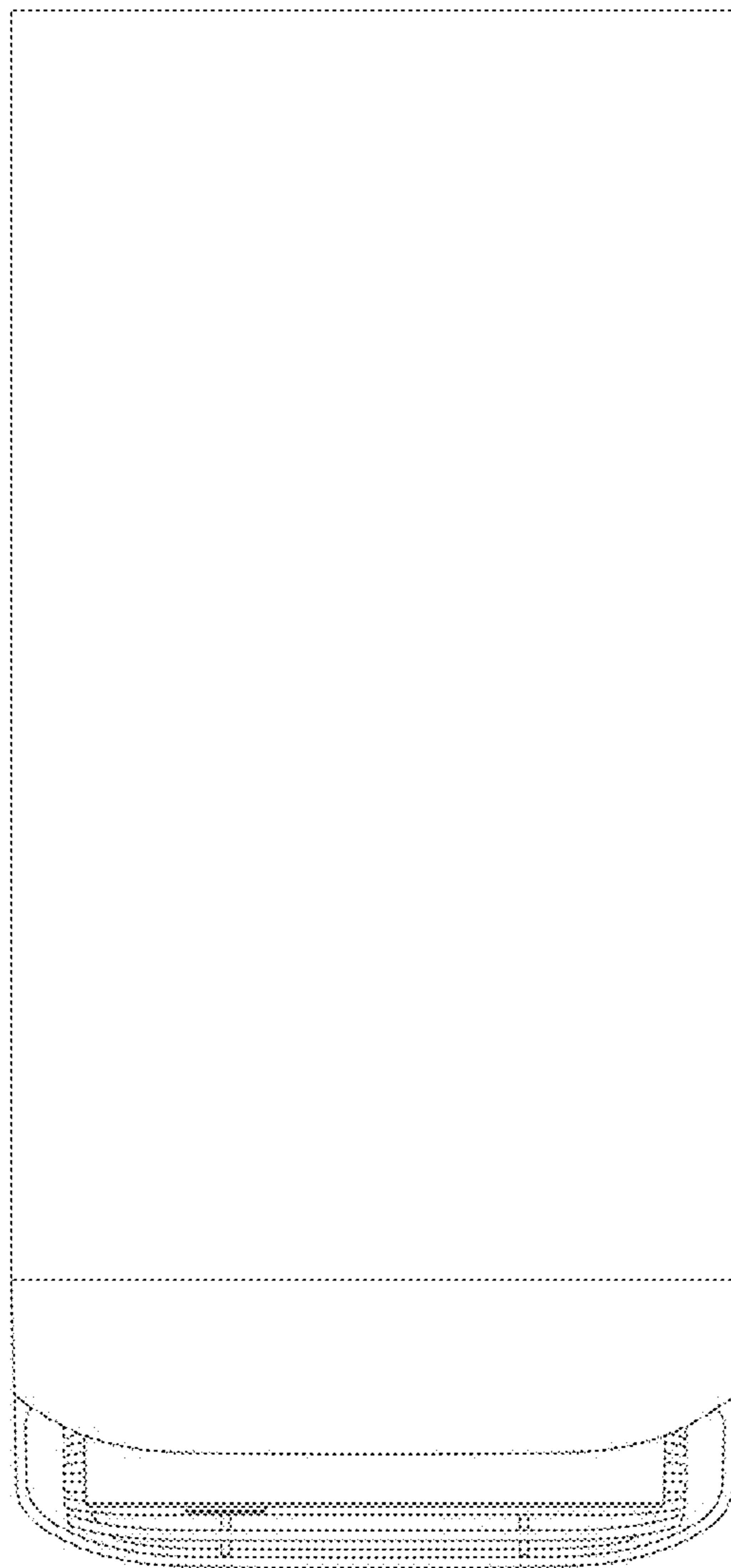




FIG. 7

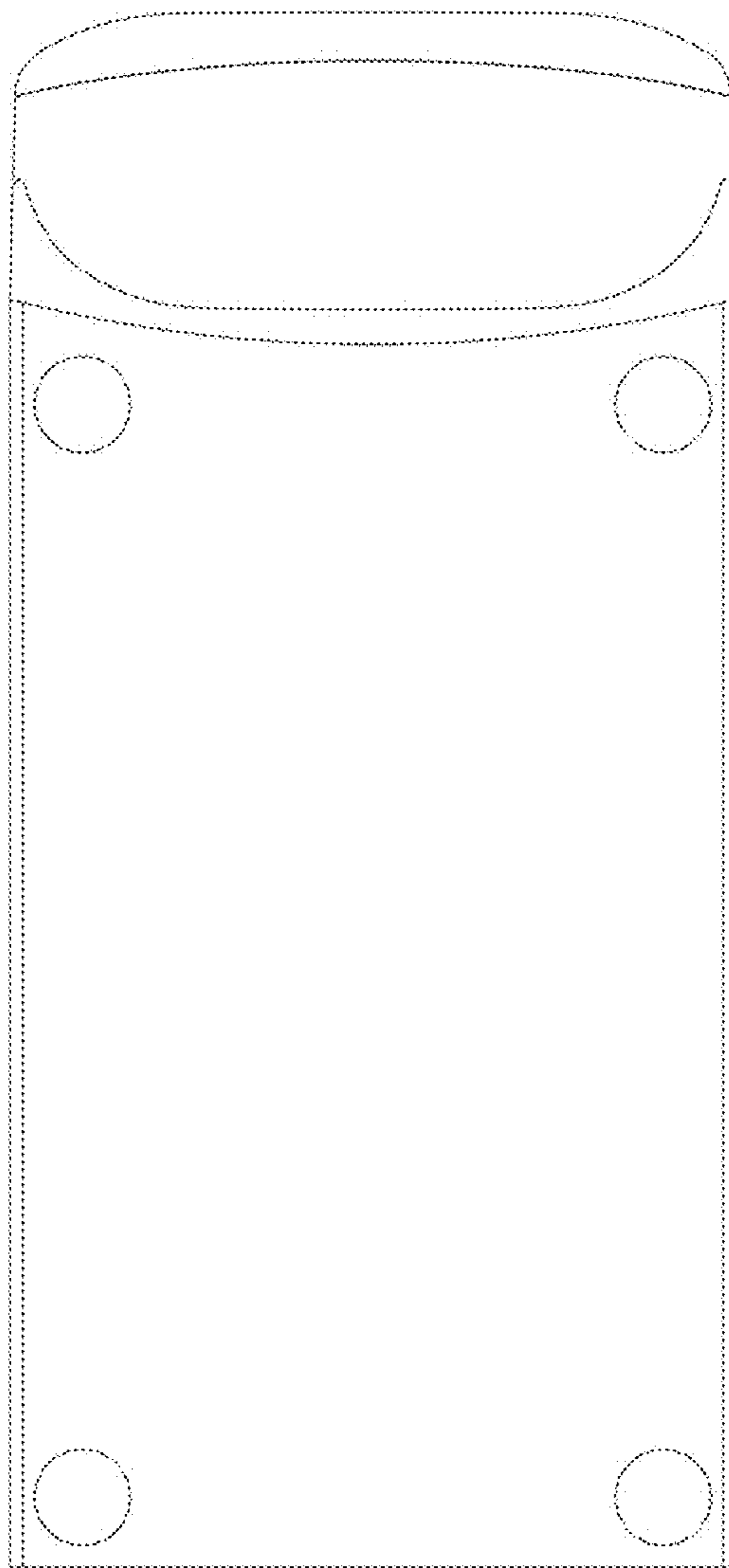


FIG. 8

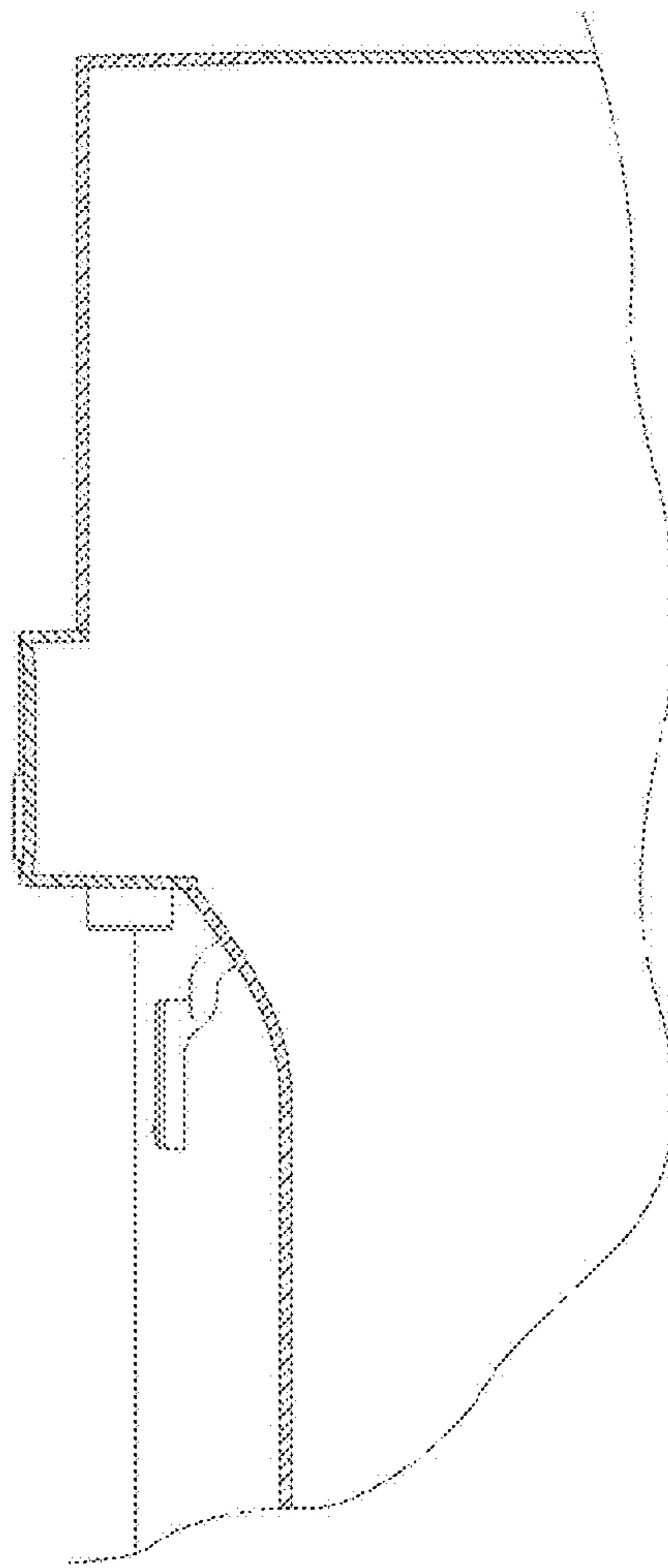


FIG. 9

