



US00D926283S

(12) **United States Design Patent**
Wang

(10) **Patent No.:** **US D926,283 S**

(45) **Date of Patent:** **** Jul. 27, 2021**

(54) **GUN RACK**

(71) Applicant: **Yixia Wang**, Shenzhen (CN)

(72) Inventor: **Yixia Wang**, Shenzhen (CN)

(**) Term: **15 Years**

(21) Appl. No.: **29/763,581**

(22) Filed: **Dec. 23, 2020**

(51) **LOC (13) Cl.** **22-01**

(52) **U.S. Cl.**
USPC **D22/108**

(58) **Field of Classification Search**
USPC D12/159; D22/114, 199; D6/368, 552
CPC ... F41C 27/00; B60R 7/14; B60R 5/04; B60R
11/00; F41A 23/10; F41A 23/18; F41A
17/44; F41A 23/16; F41A 29/00
See application file for complete search history.

(56) **References Cited**

U.S. PATENT DOCUMENTS

| | | | |
|----------------|---------|-----------|-----------|
| D276,196 S | 11/1984 | Padgett | |
| D276,197 S | 11/1984 | Padgett | |
| D365,715 S | 1/1996 | Zebbedies | |
| D397,403 S | 8/1998 | Zebbedies | |
| D459,625 S | 7/2002 | Zebbedies | |
| D491,007 S | 6/2004 | Erneston | |
| D654,782 S * | 2/2012 | Peng | D8/367 |
| D719,375 S | 12/2014 | Cox | |
| 9,175,923 B2 * | 11/2015 | Ruby | F41A 9/64 |
| D759,463 S * | 6/2016 | Metzler | D8/349 |

| | | | |
|-----------------|---------|-----------|-----------|
| D759,464 S * | 6/2016 | West | D8/349 |
| D775,859 S | 1/2017 | Dehart | |
| D824,754 S * | 8/2018 | Minkovich | D8/380 |
| 10,094,634 B2 * | 10/2018 | Sims | A63F 9/02 |
| D839,721 S * | 2/2019 | Downey | D8/367 |
| D845,746 S * | 4/2019 | Ningulkar | D8/367 |
| D897,825 S * | 10/2020 | Eads | D8/367 |

* cited by examiner

Primary Examiner — Michael A. Pratt

(74) *Attorney, Agent, or Firm* — Law Offices of Steven W. Weinrieb

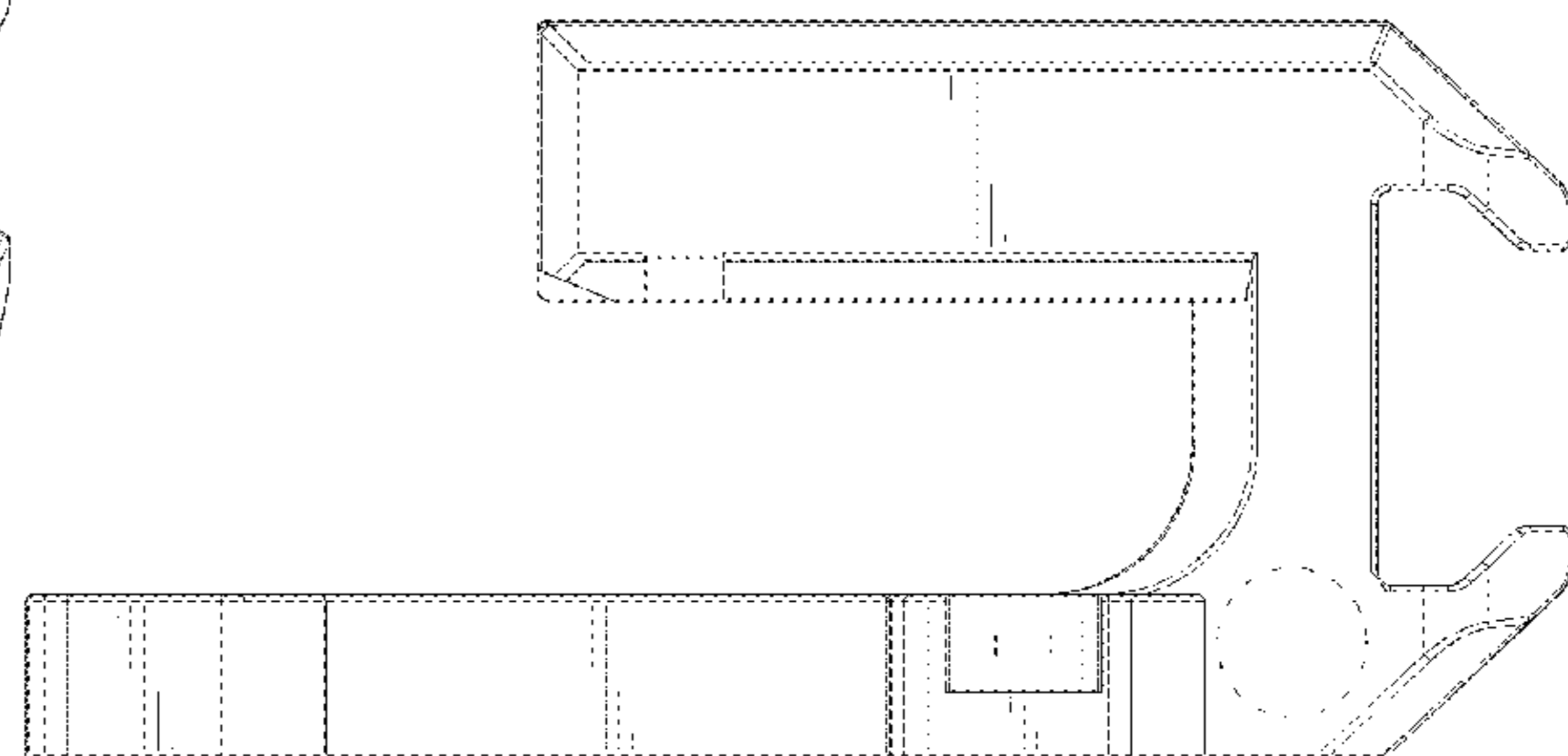
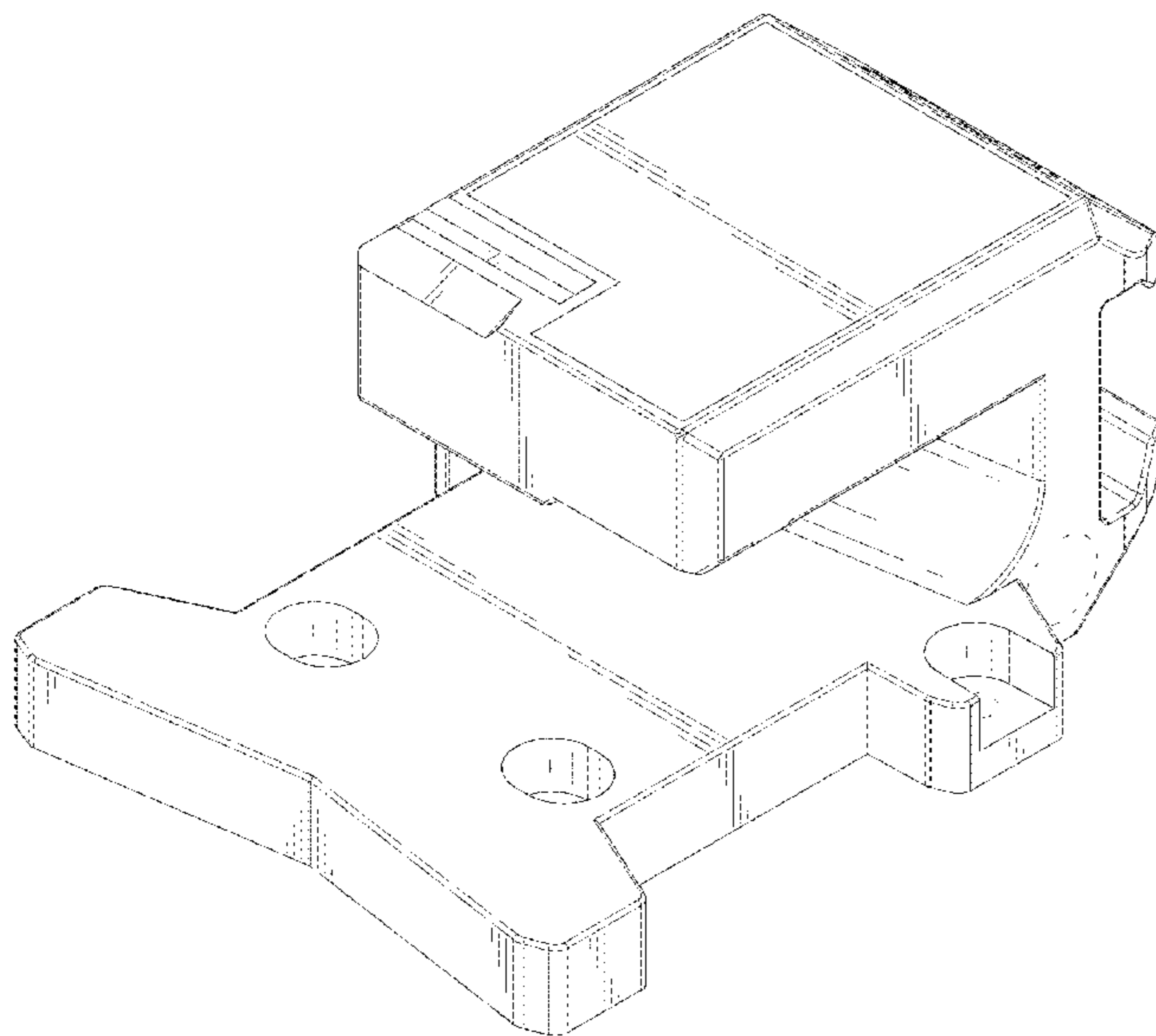
(57) **CLAIM**

The ornamental design for a gun rack, as shown and described.

DESCRIPTION

FIG. 1 is a front, right side, top perspective view of a gun rack showing my new design;
FIG. 2 is a rear, right side, top perspective view thereof;
FIG. 3 is a front elevational view thereof;
FIG. 4 is a rear elevational view thereof;
FIG. 5 is a left side elevational view thereof;
FIG. 6 is a right side elevational view thereof;
FIG. 7 is a top plan view thereof; and,
FIG. 8 is a bottom plan view thereof.
The broken lines depict portions of the gun rack that form no part of the claimed design.

1 Claim, 8 Drawing Sheets



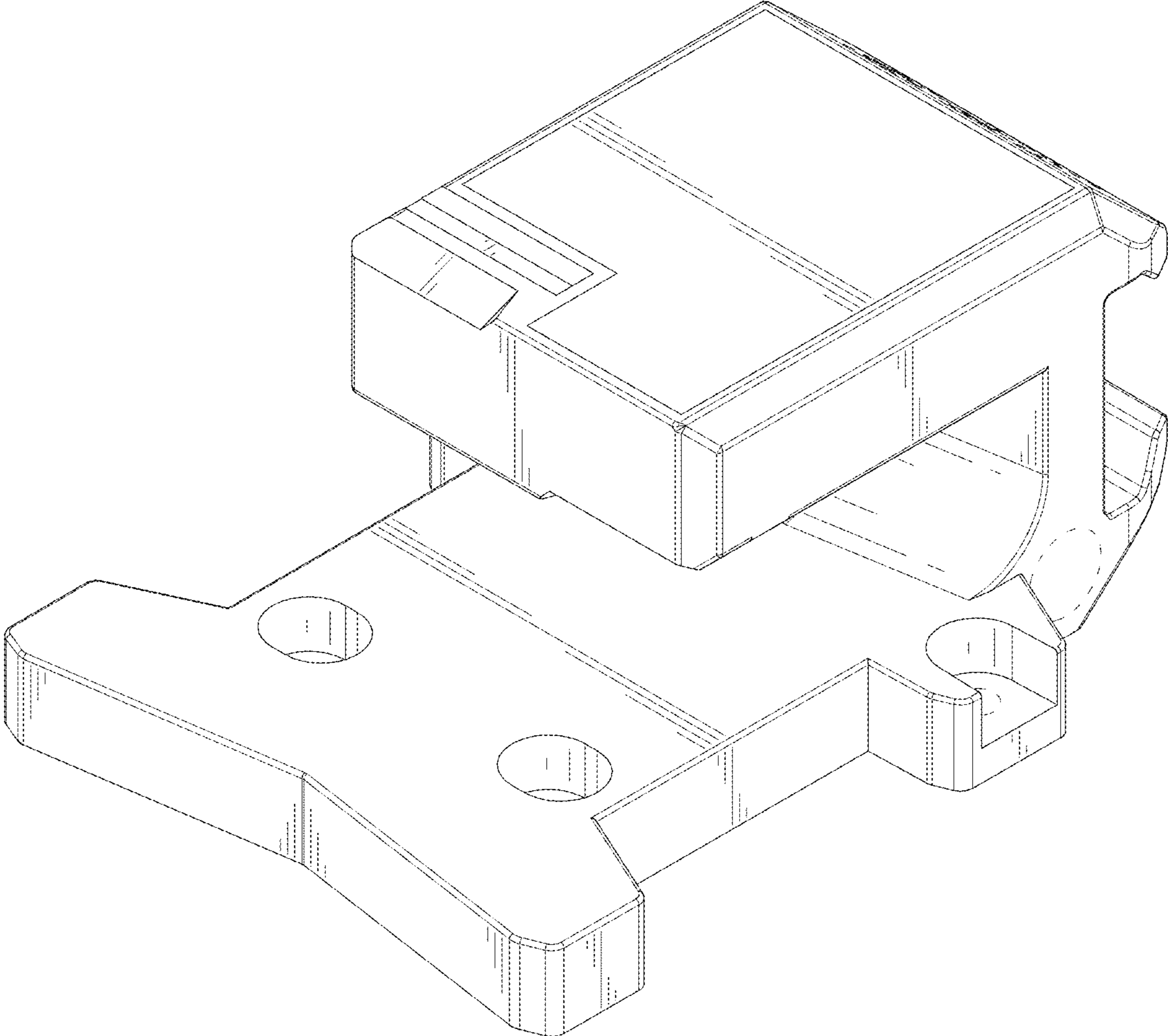


FIG.1

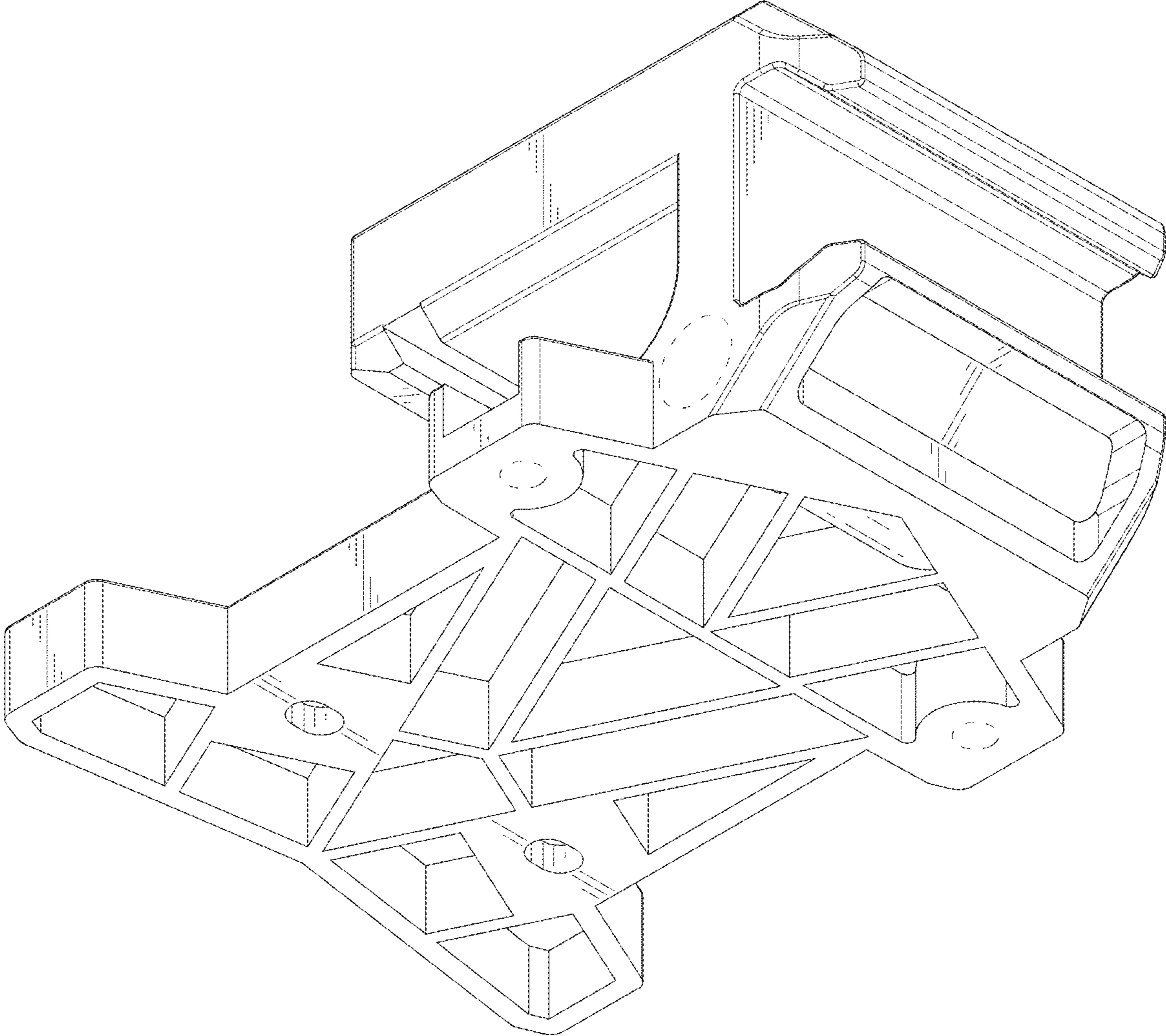


FIG.2

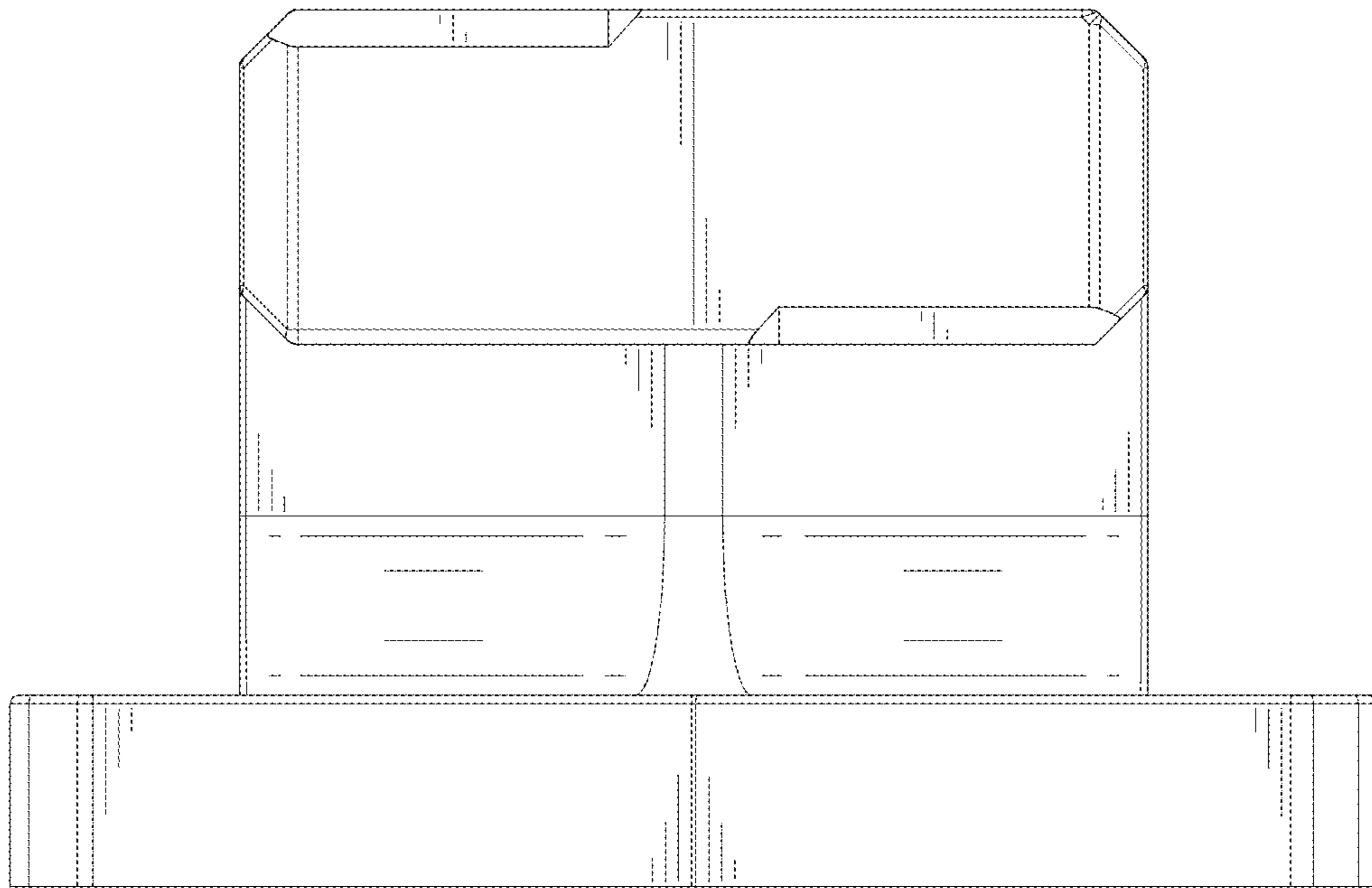


FIG.3

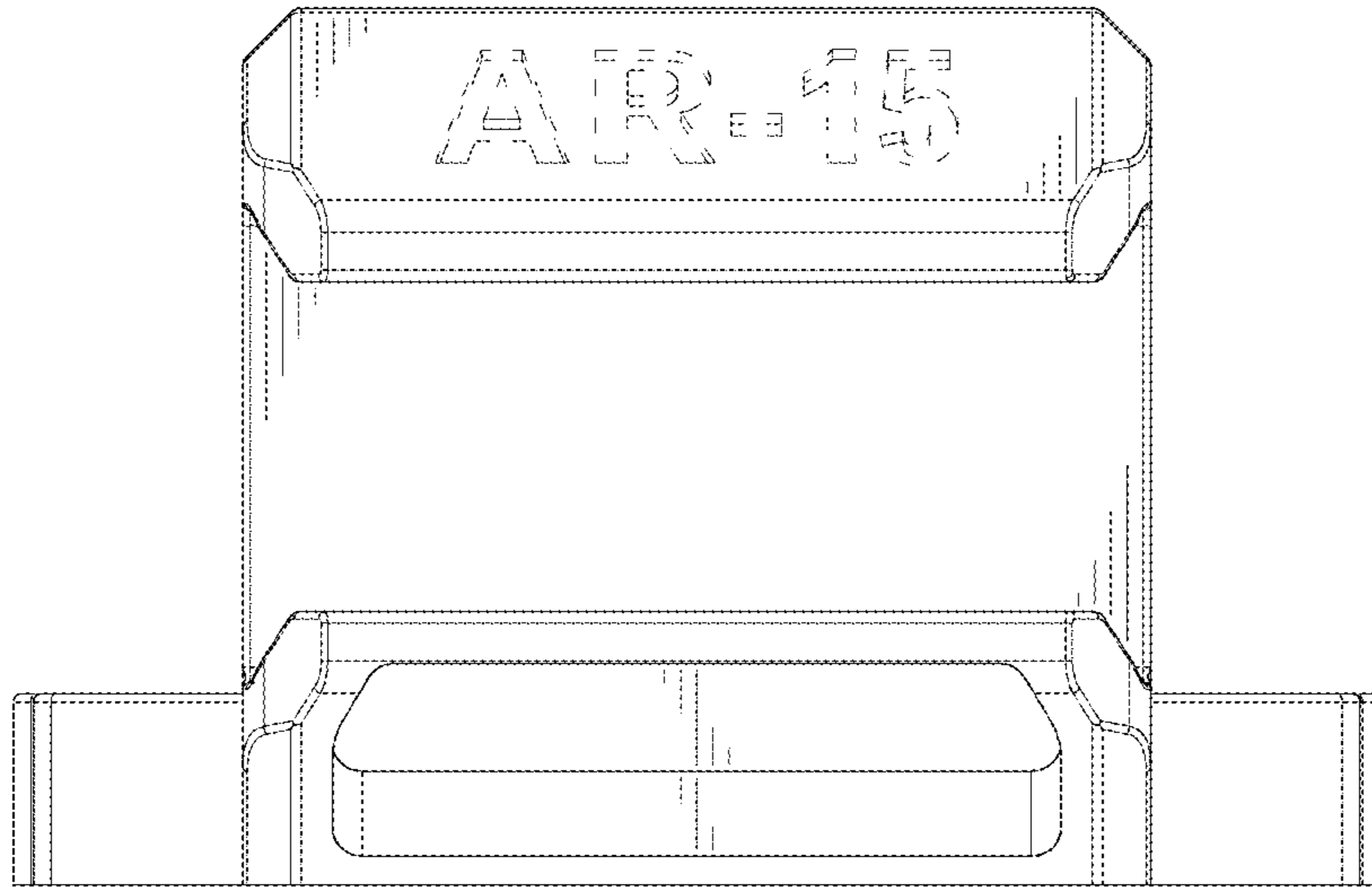


FIG.4

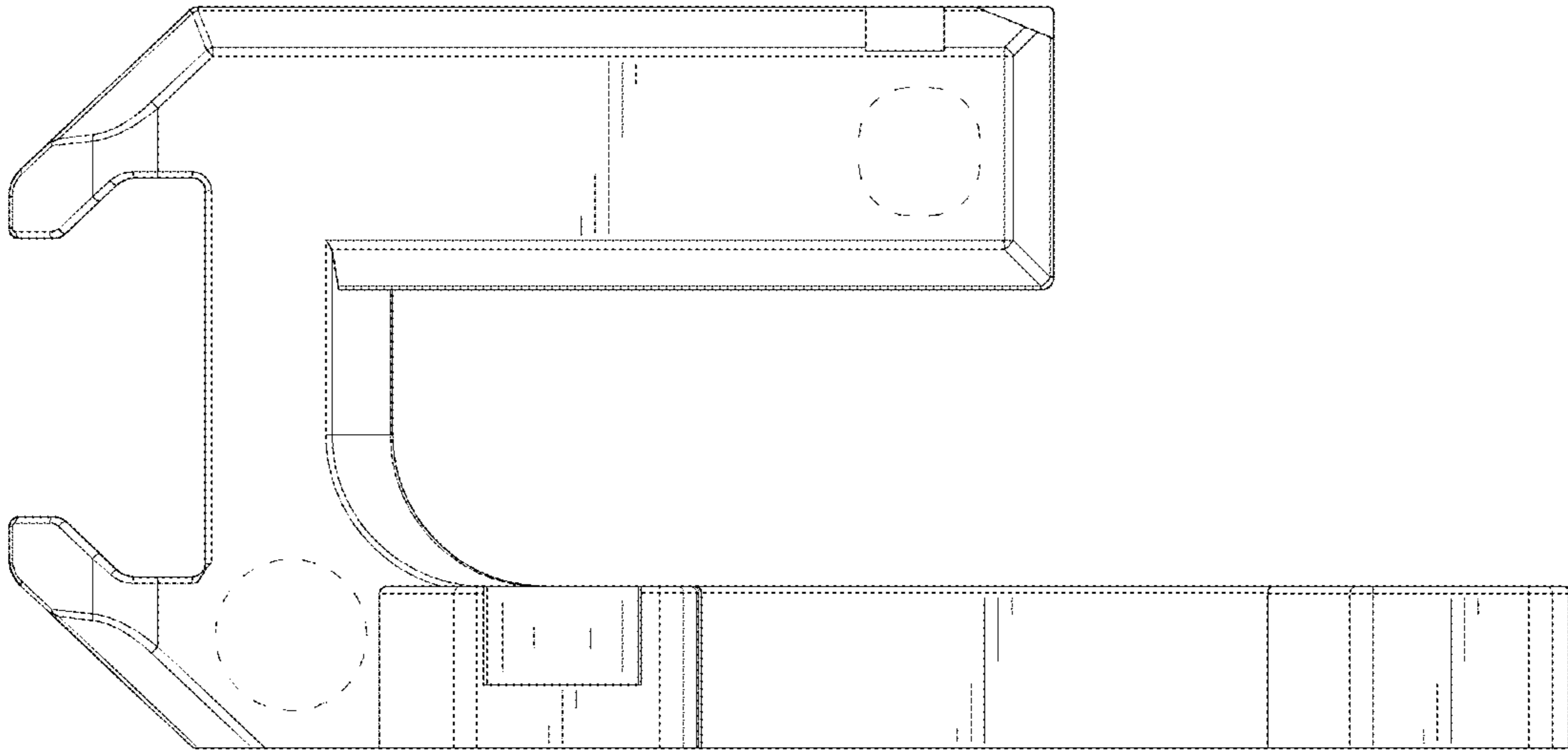


FIG.5

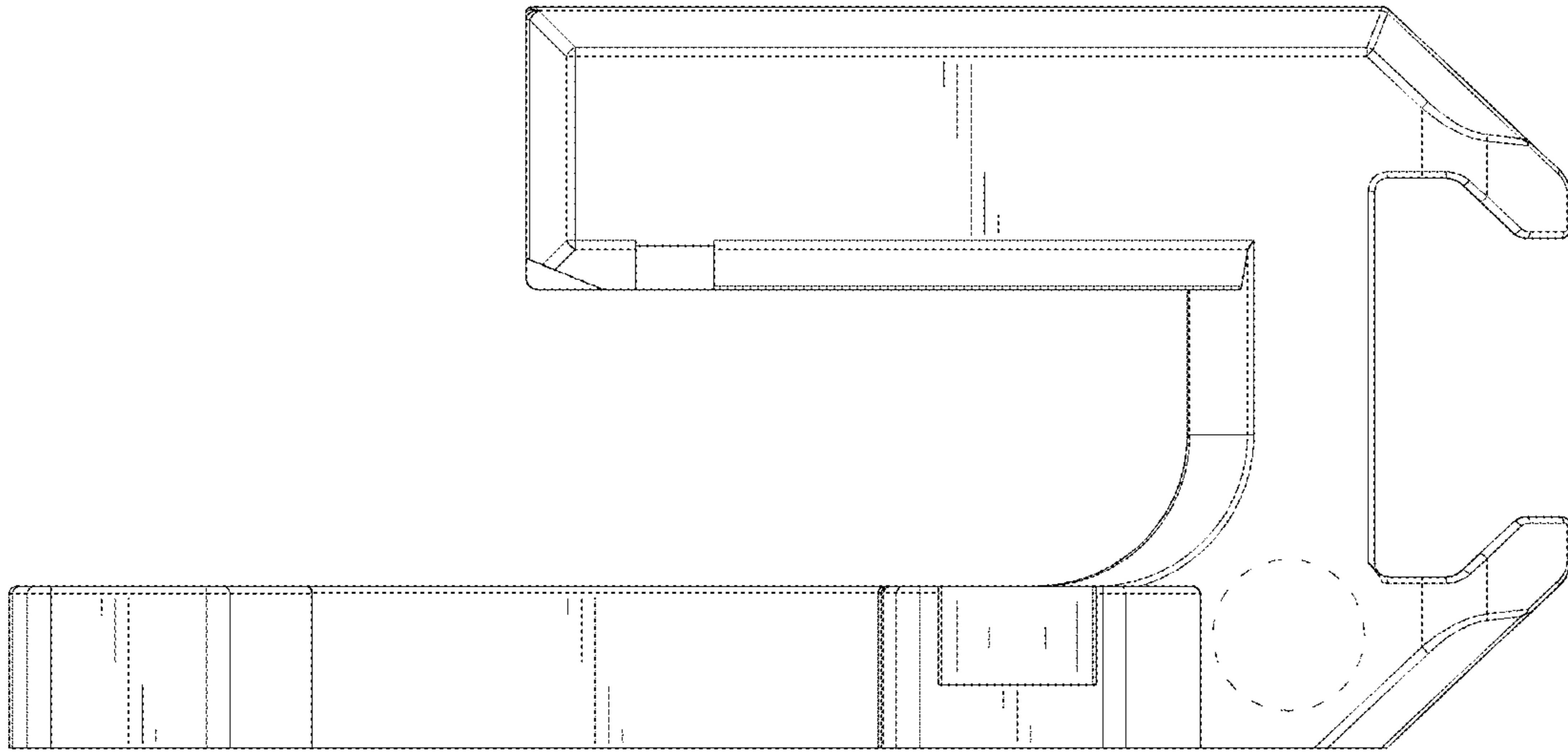


FIG.6

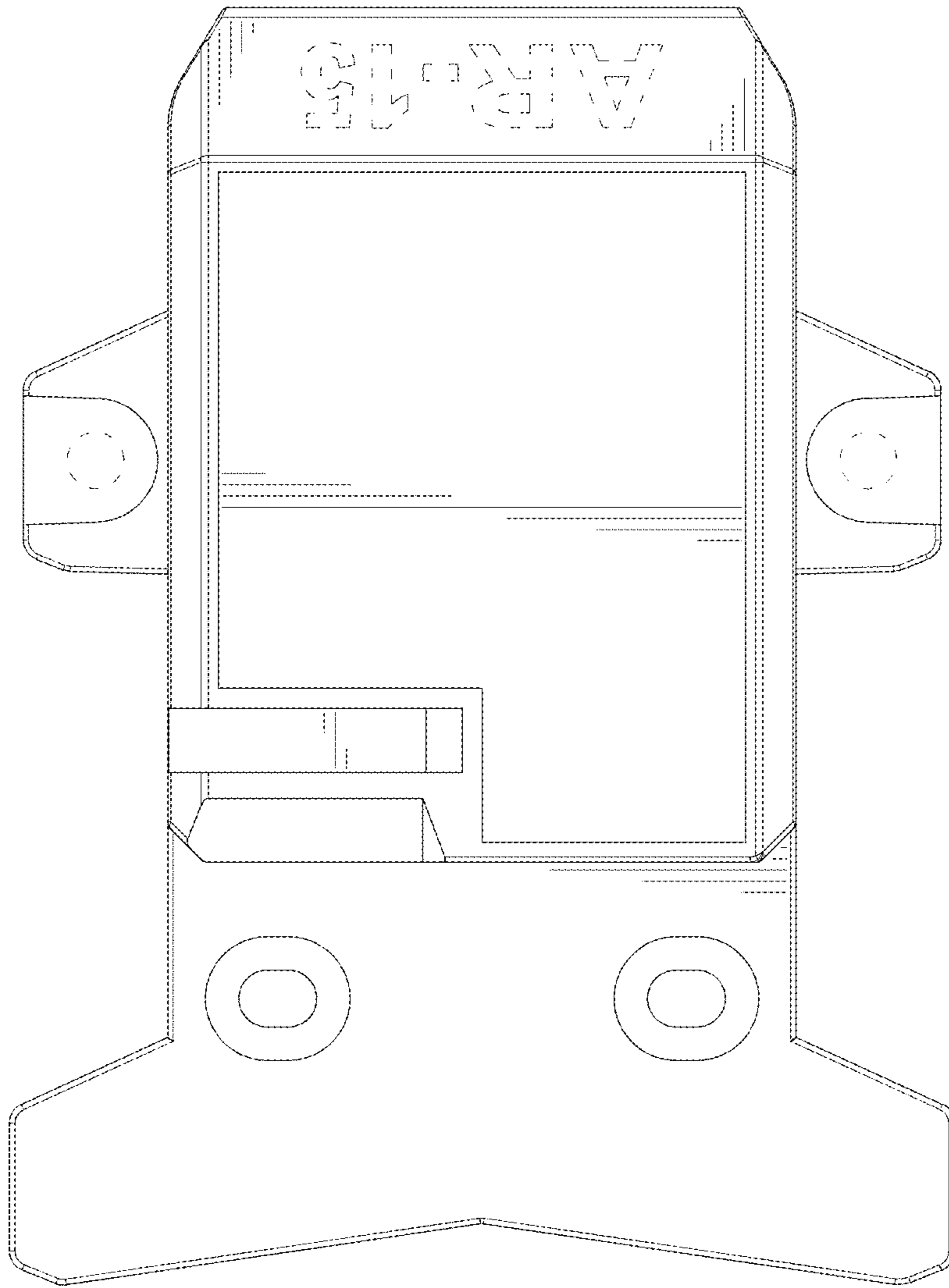


FIG.7

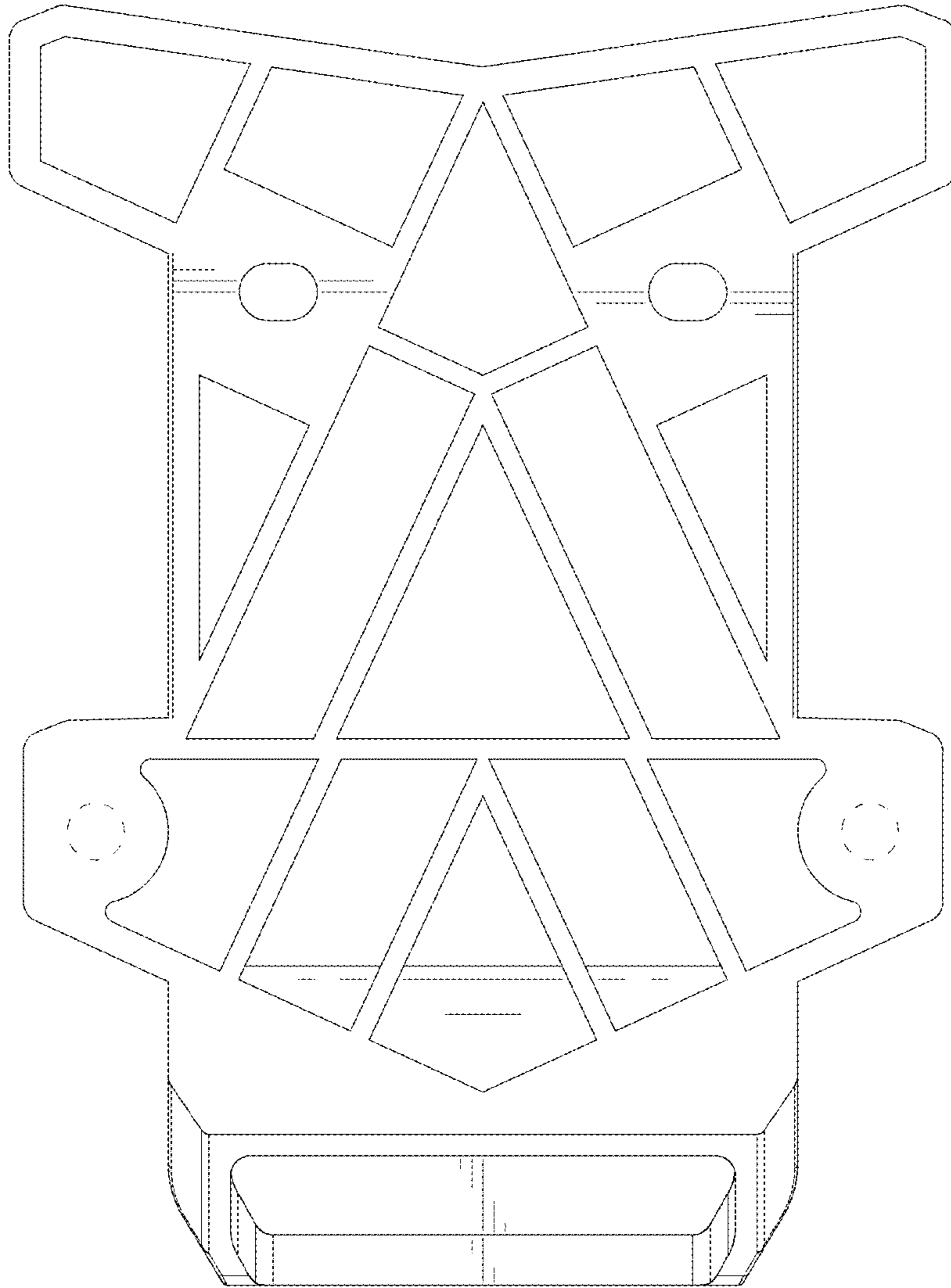


FIG.8