



US00D926282S

(12) **United States Design Patent**
Wang

(10) **Patent No.:** **US D926,282 S**
(45) **Date of Patent:** **** Jul. 27, 2021**

(54) **FOLDABLE GUN RACK**
(71) Applicant: **Yixia Wang**, Shenzhen (CN)
(72) Inventor: **Yixia Wang**, Shenzhen (CN)
(**) Term: **15 Years**
(21) Appl. No.: **29/763,578**
(22) Filed: **Dec. 23, 2020**
(51) **LOC (13) Cl.** **22-01**
(52) **U.S. Cl.**
USPC **D22/108**
(58) **Field of Classification Search**
USPC D22/114, 199; D6/368, 552; D8/349,
D8/367, 373, 380-381
CPC ... F41C 27/00; B60R 7/14; B60R 5/04; B60R
11/00; F41A 23/10; F41A 23/18; F41A
17/44; F41A 23/16; F41A 29/00; A47G
25/32; A47G 1/20; A47G 25/06; F16B
45/00
See application file for complete search history.

D719,375 S 12/2014 Cox
D746,127 S * 12/2015 Cohen D8/367
D775,859 S 1/2017 Dehart
D858,258 S * 9/2019 Forsythe D8/356
D867,862 S * 11/2019 Veilleux D8/367
D871,897 S * 1/2020 Wellington D8/367

* cited by examiner

Primary Examiner — Michael A. Pratt
(74) *Attorney, Agent, or Firm* — Law Offices of Steven W. Weinrieb

(57) **CLAIM**

The ornamental design for a foldable gun rack, as shown and described.

DESCRIPTION

FIG. 1 is a front, right side, top perspective view of a foldable gun rack showing my new design; FIG. 2 is a front elevational view thereof; FIG. 3 is a rear elevational view thereof; FIG. 4 is a left side elevational view thereof; FIG. 5 is a right side elevational view thereof; FIG. 6 is a top plan view thereof; FIG. 7 is a bottom plan view thereof; FIG. 8 is a front, right side, top perspective view thereof with the upper folding part of the foldable gun rack being shown in a forwardly pivoted position such that the foldable gun rack is disposed in a partially closed state; and, FIG. 9 is a front, right side, top perspective view thereof with the upper folding part of the foldable gun rack being shown in a forwardly pivoted position such that the foldable gun rack is disposed in a partially closed and completely folded state.

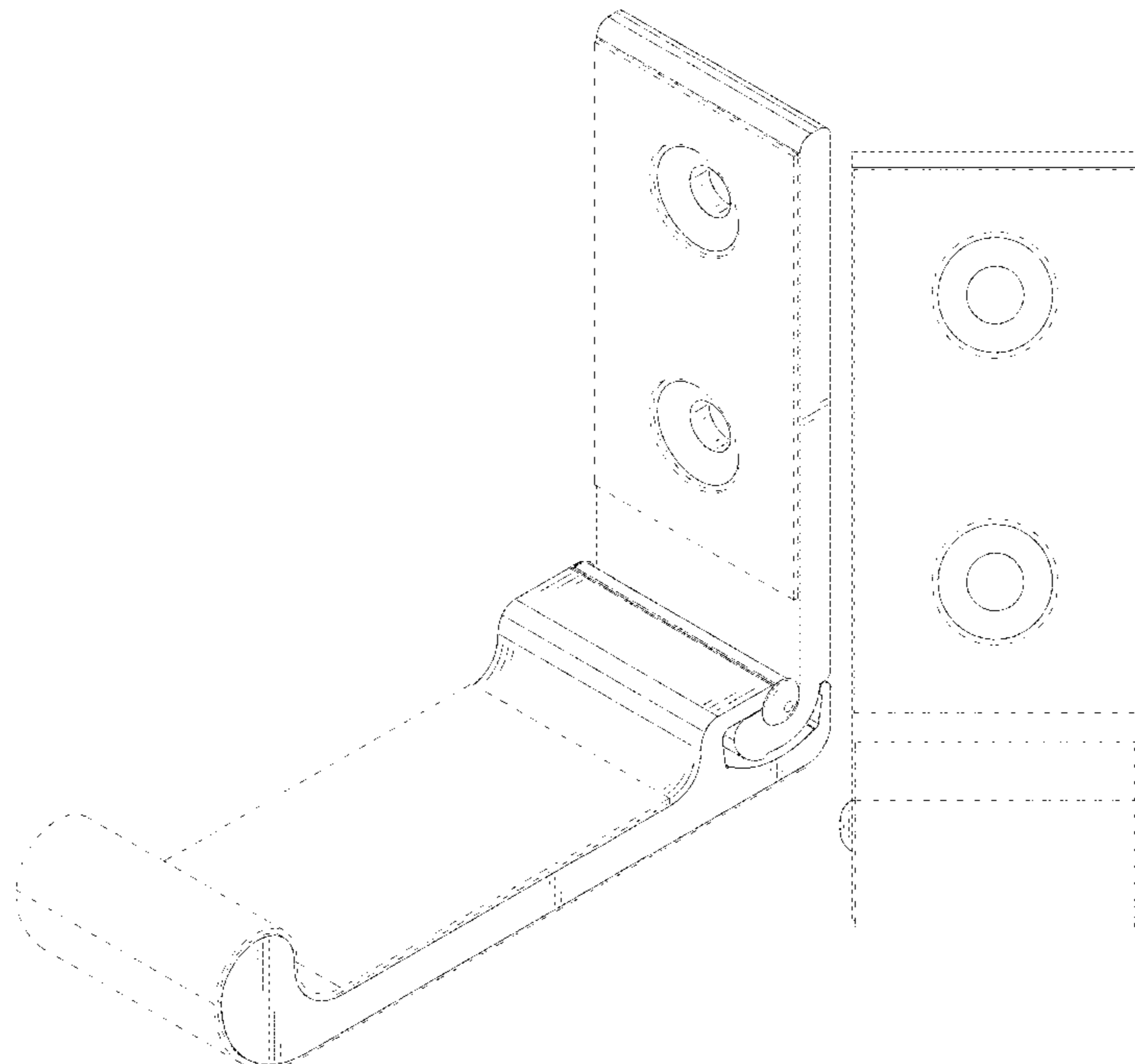
The broken lines depict portions of the foldable gun rack that form no part of the claimed design.

(56) **References Cited**

U.S. PATENT DOCUMENTS

1,625,662 A * 4/1927 Kast A47G 25/0685
248/294.1
D276,196 S 11/1984 Padgett
D276,197 S 11/1984 Padgett
D365,715 S 1/1996 Zebbedies
D397,403 S 8/1998 Zebbedies
D459,625 S 7/2002 Zebbedies
D478,499 S * 8/2003 Winig D8/367
D491,007 S 6/2004 Erneston
D601,880 S * 10/2009 Veilleux D8/367
7,992,833 B1 * 8/2011 Goodman A47G 25/0614
248/298.1

1 Claim, 9 Drawing Sheets



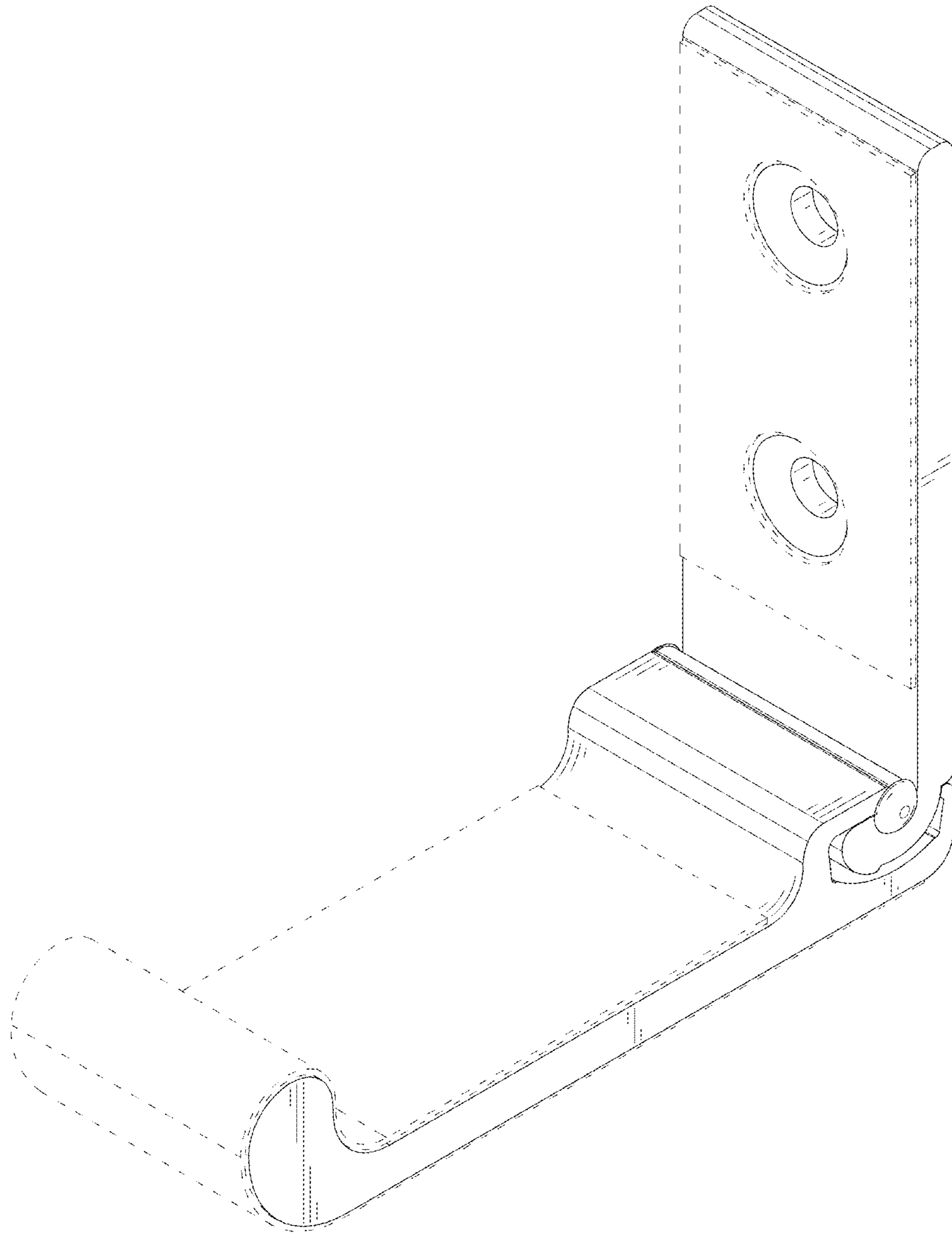


FIG.1

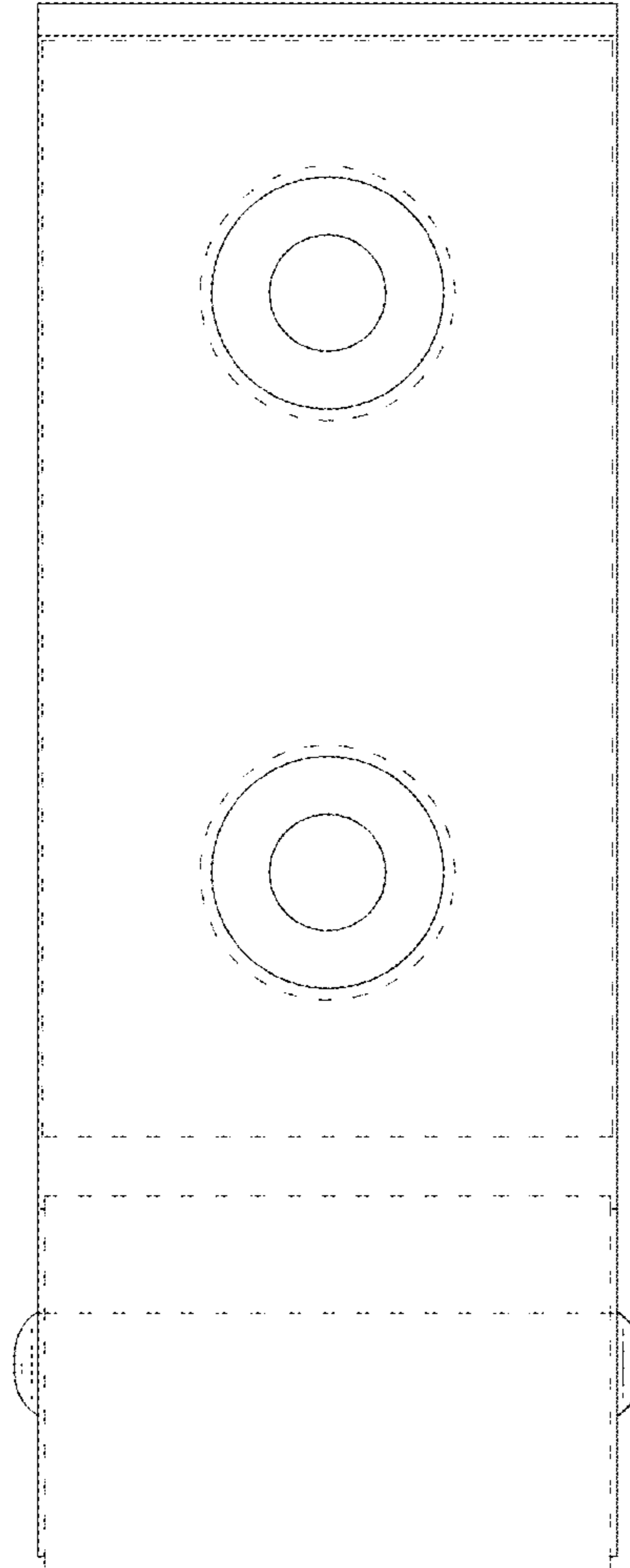


FIG.2

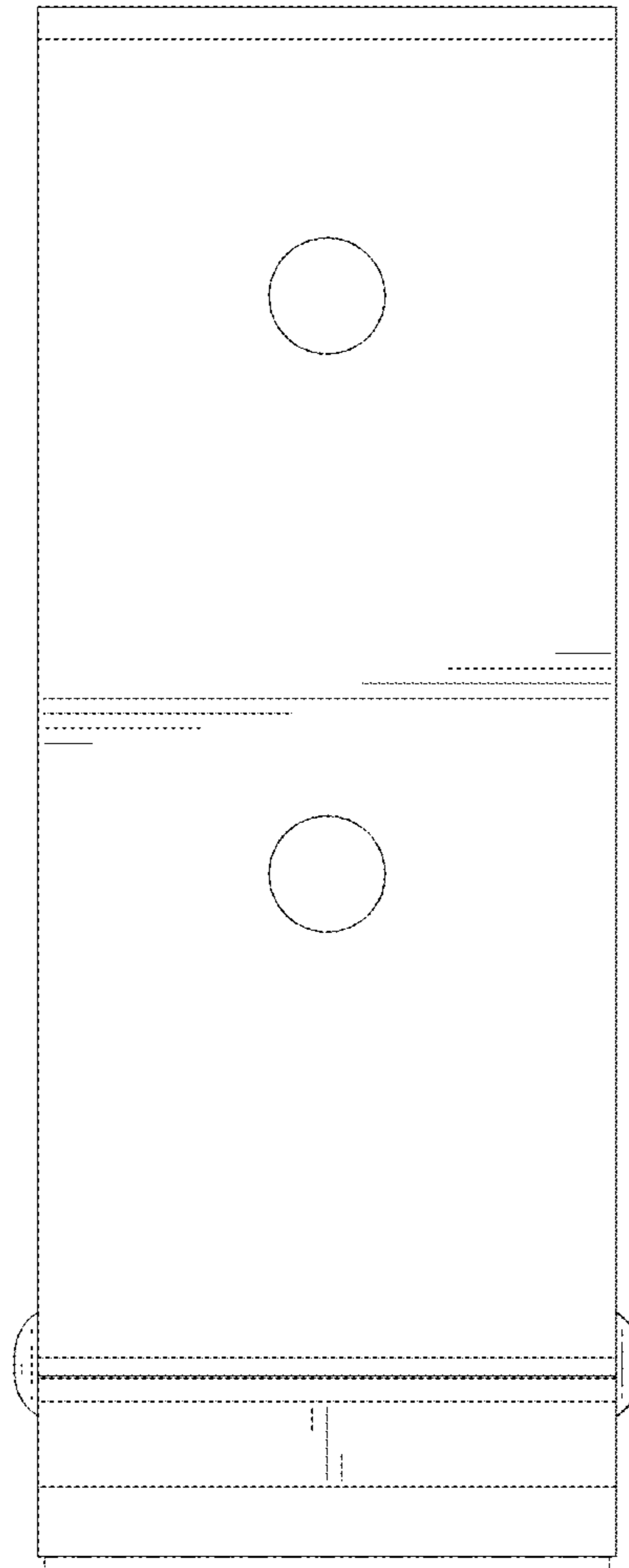


FIG.3

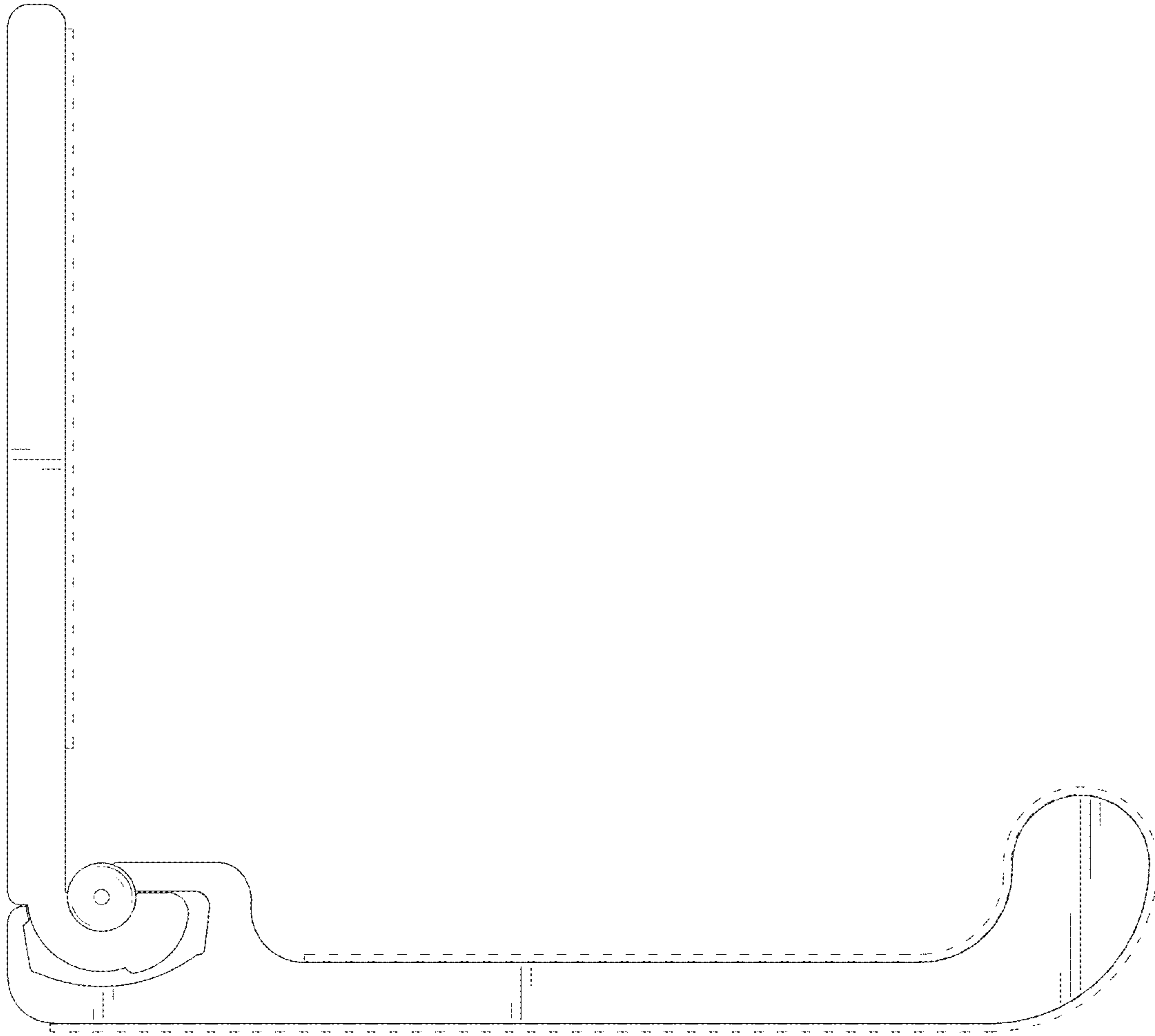


FIG. 4

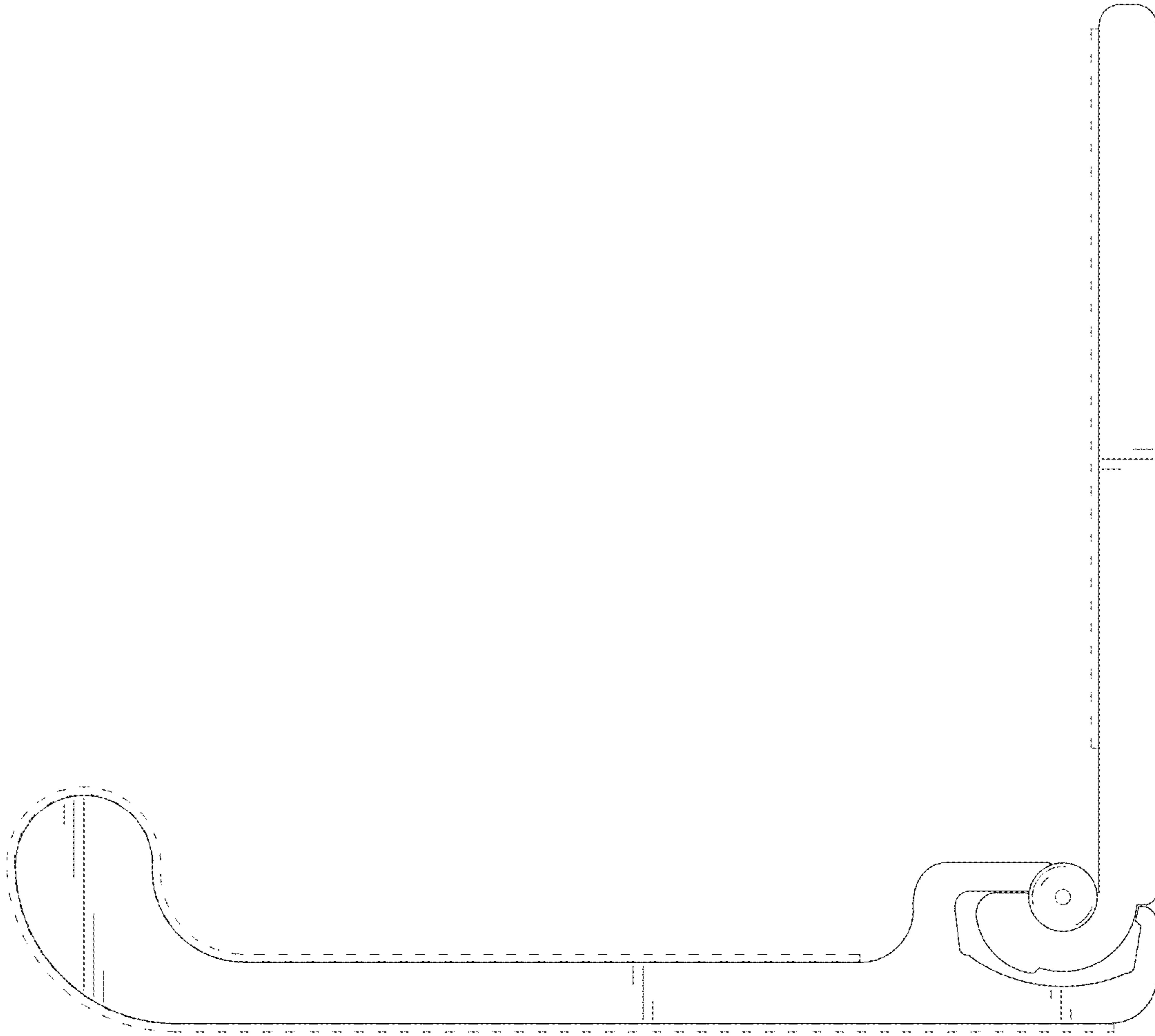


FIG. 5

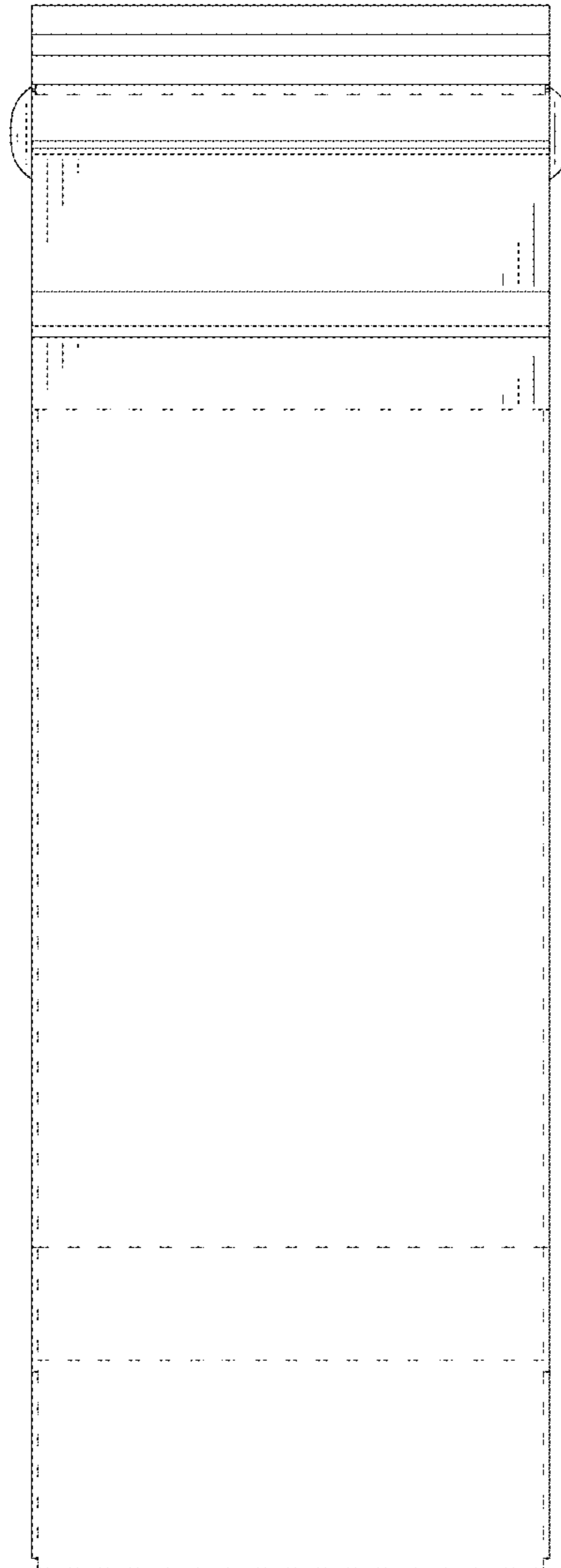


FIG.6

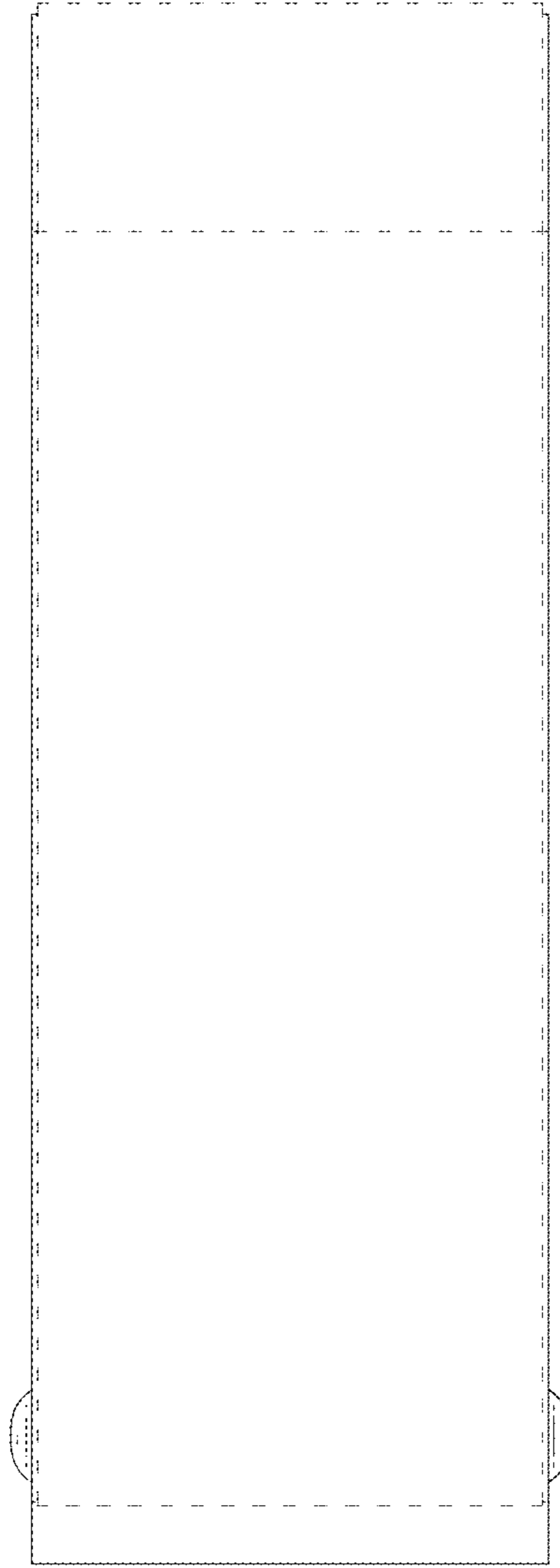


FIG.7

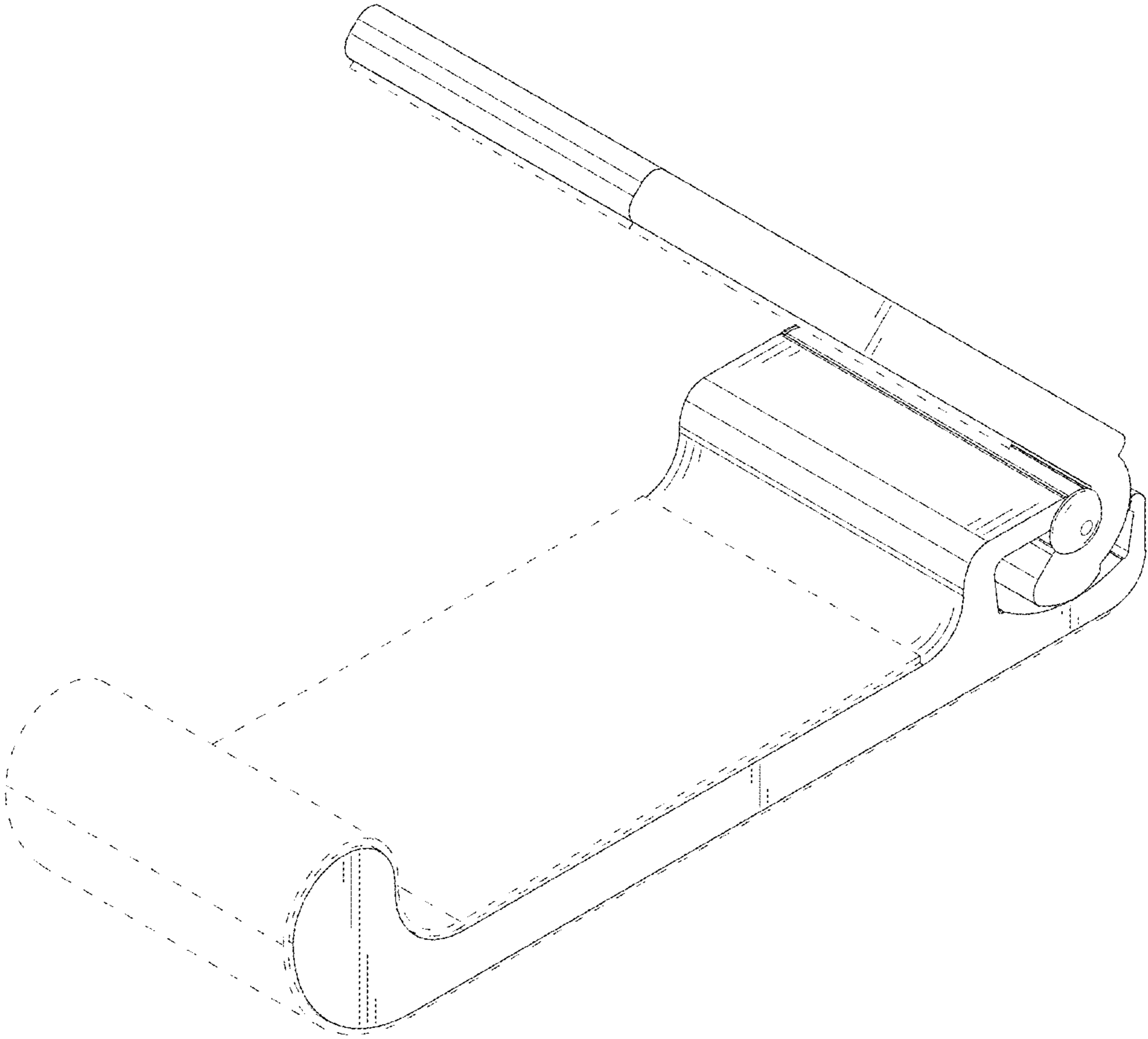


FIG.8

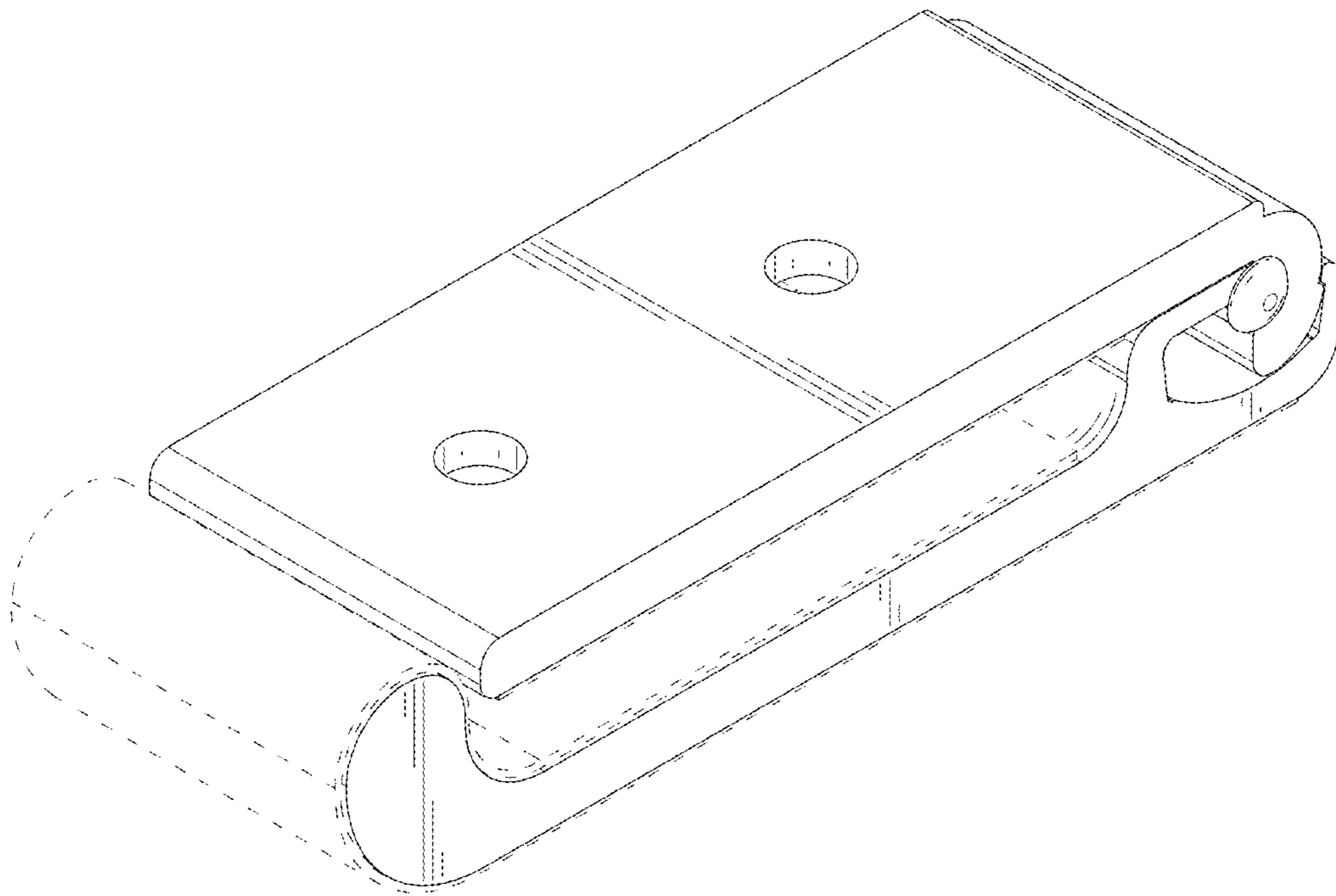


FIG.9