



US00D926280S

(12) **United States Design Patent** (10) **Patent No.:** **US D926,280 S**  
**Muska** (45) **Date of Patent:** **\*\* Jul. 27, 2021**

(54) **SHOTGUN**  
(71) Applicant: **Smith & Wesson Inc.**, Springfield, MA (US)  
(72) Inventor: **Simon M. Muska**, Enfield, CT (US)  
(73) Assignee: **Smith & Wesson Inc.**, Springfield, MA (US)  
(\*\*) Term: **15 Years**

D715,882 S † 10/2014 Jonker ..... D22/10  
D719,631 S † 12/2014 Ferko ..... D22/10  
D723,128 S † 2/2015 Hu ..... D22/10  
D729,893 S † 5/2015 Foster ..... D22/103  
D745,102 S † 12/2015 Young ..... D22/10  
D745,103 S \* 12/2015 Corsi ..... D22/103  
D745,943 S † 12/2015 Geissele ..... D22/10  
D749,181 S † 2/2016 Hu ..... D22/10  
D750,722 S † 3/2016 Young ..... D22/10  
D769,394 S † 10/2016 Young ..... D22/10  
9,534,861 B1 † 1/2017 Kellgren ..... F41A 21/48  
(Continued)

(21) Appl. No.: **29/765,459**  
(22) Filed: **Jan. 8, 2021**

**Related U.S. Application Data**

(62) Division of application No. 29/717,342, filed on Dec. 17, 2019.  
(51) **LOC (13) Cl.** ..... **22-01**  
(52) **U.S. Cl.**  
USPC ..... **D22/103; D22/108**  
(58) **Field of Classification Search**  
USPC ..... D22/100, 101, 103, 104, 105, 108;  
D21/567, 570, 573, 574, 575  
CPC ..... F41C 3/00; F41C 7/00  
See application file for complete search history.

(56) **References Cited**

**U.S. PATENT DOCUMENTS**

D251,979 S † 5/1979 Hance ..... D22/10  
D285,234 S † 8/1986 Swearngen ..... D22/10  
D290,153 S † 6/1987 Reaume ..... D21/57  
D303,418 S † 9/1989 Miller ..... D22/10  
D547,818 S † 7/2007 Wolfe ..... D22/10  
7,299,737 B2 † 11/2007 Hajjar ..... F41A 3/46  
89/180  
D611,111 S † 3/2010 Hajjar ..... D22/10  
D615,142 S \* 5/2010 Bentley ..... D22/108  
D665,042 S \* 8/2012 Kellgren ..... D22/103  
D672,838 S \* 12/2012 Mayberry ..... D22/108  
D693,420 S † 11/2013 Abbott ..... D22/10

**OTHER PUBLICATIONS**

“The Best Shorty Shotguns” [online]. Joseph Albanese, Tom McHale, and T. Logan Metesh. [Published on Mar. 30, 2020]. Retrieved from the Internet: <<https://www.range365.com/best-new-shorty-shotguns-firearms-from-shot-show-2019-no-tax-stamp-required/>>.\*

(Continued)

*Primary Examiner* — Mojtaba Tehrani

(74) *Attorney, Agent, or Firm* — John A. Chionchio, Esq.; Ballard Spahr LLP

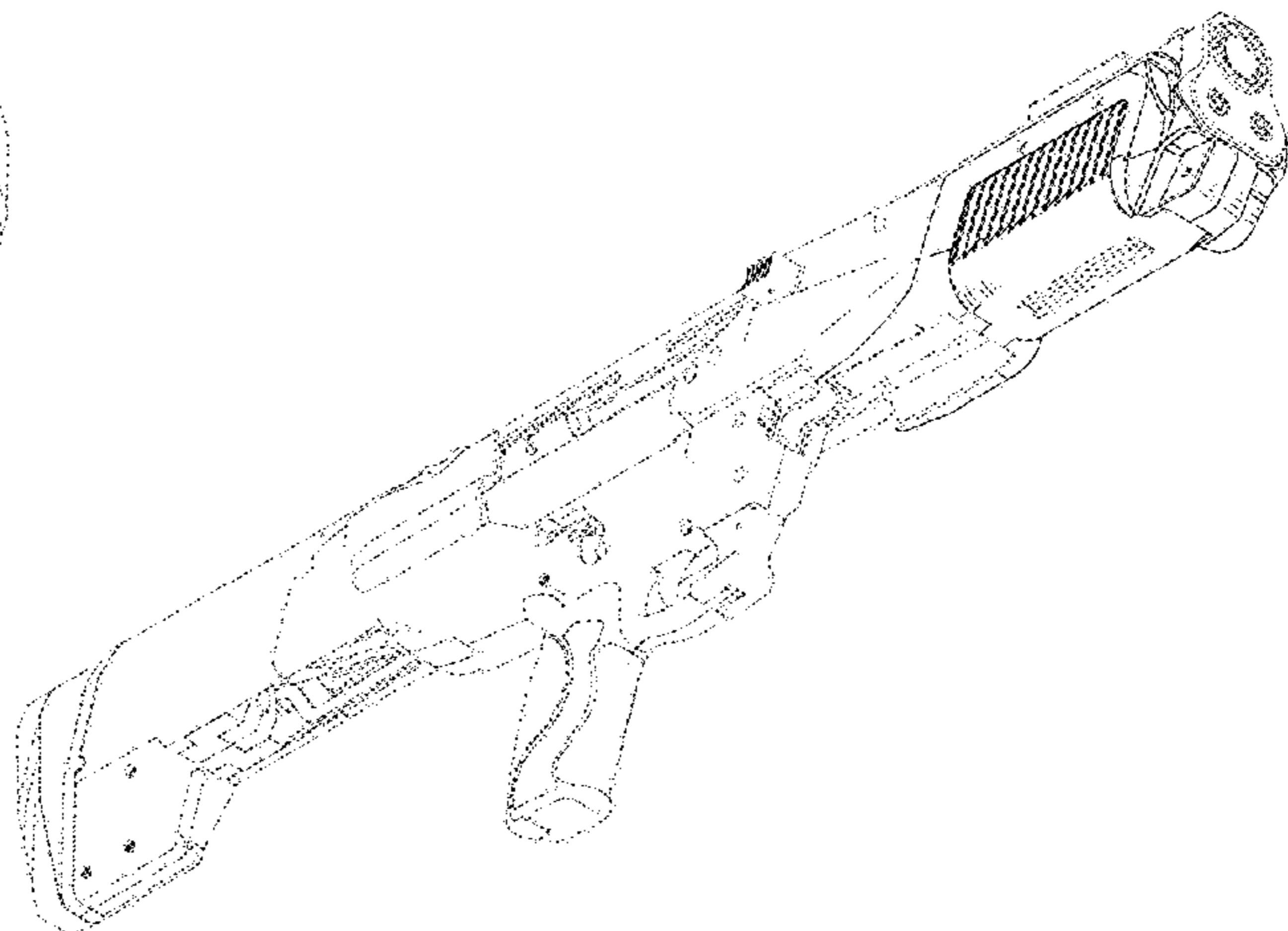
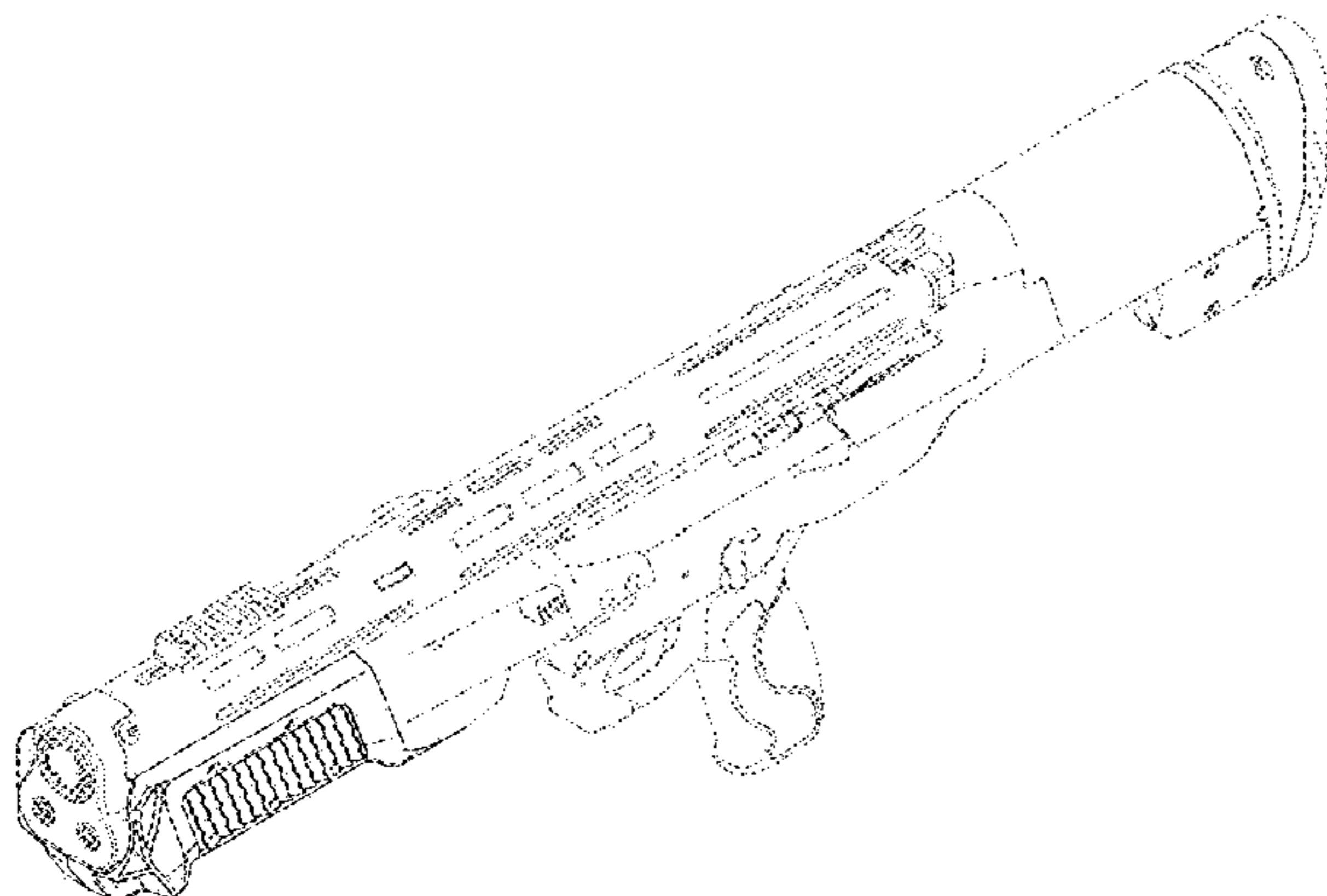
(57) **CLAIM**

I claim the ornamental design for a shotgun, as shown and described.

**DESCRIPTION**

FIG. 1 is a left side isometric view, from above, of a shotgun showing my new design;  
FIG. 2 is a top view thereof;  
FIG. 3 is a bottom view thereof;  
FIG. 4 is a left side view thereof;  
FIG. 5 is a right side view thereof;  
FIG. 6 is a front view thereof;  
FIG. 7 is a rear view thereof; and,  
FIG. 8 is a right side isometric view thereof from below.  
The broken lines in the figures form no part of the claimed design.

**1 Claim, 6 Drawing Sheets**



(56)

**References Cited**

U.S. PATENT DOCUMENTS

D779,012	S	*	2/2017	Abbott	.....	D22/103
D787,619	S	‡	5/2017	Young	.....	D22/10
D814,591	S	‡	4/2018	Kocgur	.....	D22/10
D879,880	S	*	3/2020	Abe	.....	D21/333
D892,964	S	*	8/2020	Williams	.....	D22/108
D906,562	S	*	12/2020	Hawk	.....	D26/60
2020/0378709	A1	*	12/2020	Muska	.....	F41A 19/45
2021/0025666	A1	*	1/2021	Muska	.....	F41A 9/72
2021/0041208	A1	*	2/2021	Muska	.....	F41A 17/34
2021/0048261	A1	*	2/2021	Muska	.....	F41A 3/72
2021/0048262	A1	*	2/2021	Muska	.....	F41C 23/04

OTHER PUBLICATIONS

“G&P M870 P.T.E. High Power Airsoft Tactical RIS Entry Shotgun (Color: Black)” [online]. Evike.com. [Retrieved on Mar. 13, 2021].

Retrieved from the Internet: <<https://www.evike.com/products/61974/>>.\*

“Bullpup shotgun shootout: UTAS UTS15 vs. Keltec KSG” [online]. Oleg Volk. [Published on Jul. 22, 2013]. Retrieved from the Internet: &lt;<https://www.alloutdoor.com/2013/07/22/uts15-vs-ksg/>&gt;‡

“DP-12—Double-Barrel Bullpup Shotgun by LAV” [online]. Nathan S. [Published on Oct. 5, 2015]. Retrieved from the Internet: &lt;<https://www.thefirearmblog.com/blog/2015/10/05/dp-12-double-barrel-bullpup-shotgun-by-lav/>&gt;‡

Oleg Volk; Bullpup Shotgun Shootout: UTAS UTS15 vs. Keltec KSG (online); Published Jul. 22, 2013; Retrieved from [https://www.alloutdoor.com/2013/07/22/uts\\_15-bs-ksg/](https://www.alloutdoor.com/2013/07/22/uts_15-bs-ksg/).

Nathan S.; DP-12-Double-Barrel Bullpup Shotgun by LAV (online); Published Oct. 5, 2015; Retrieved from <https://www.thefirearmblog.com/blog/2015/10/05/dp-12-double-barrel-bullpup-shotgun-by-law>.

\* cited by examiner

‡ imported from a related application

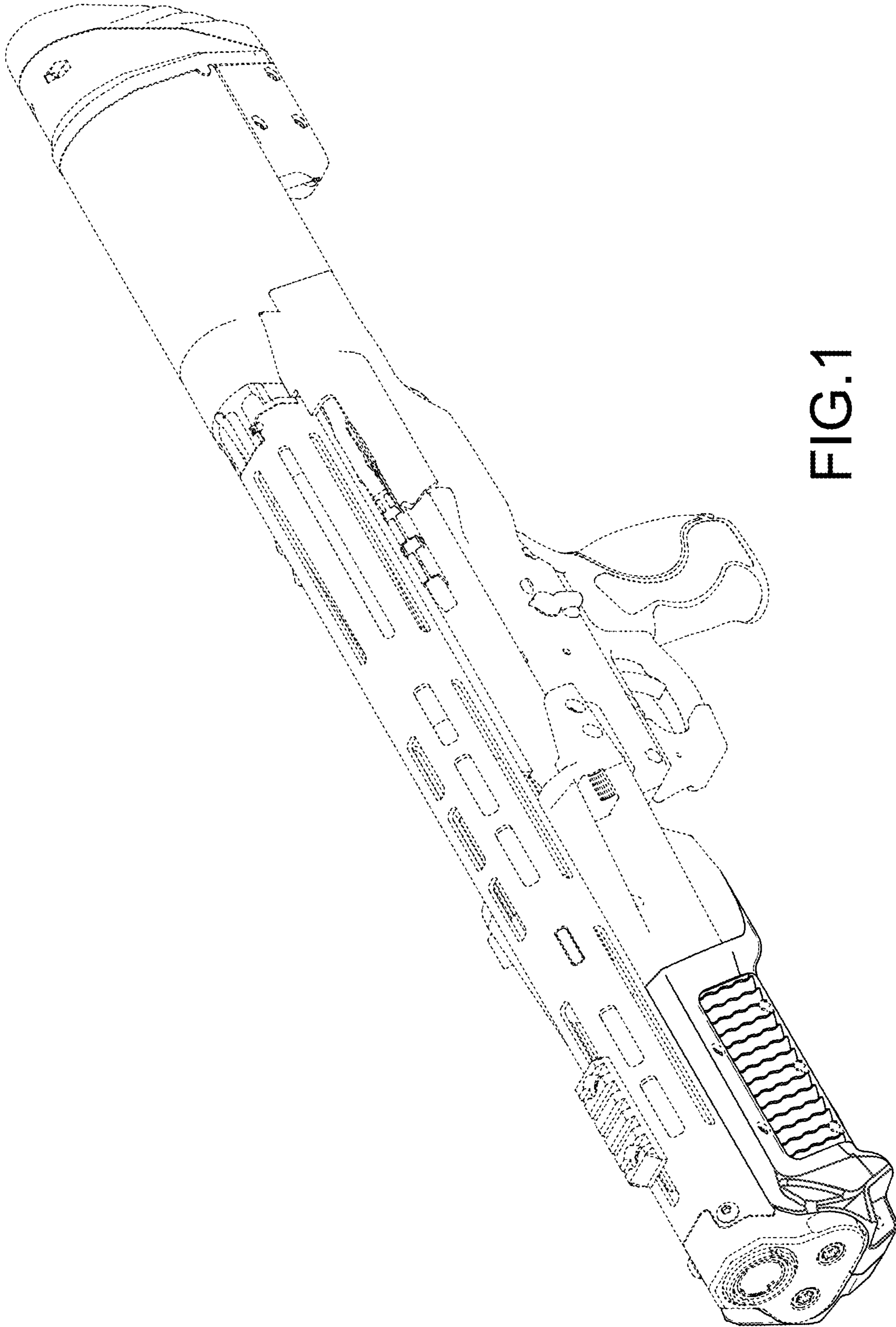
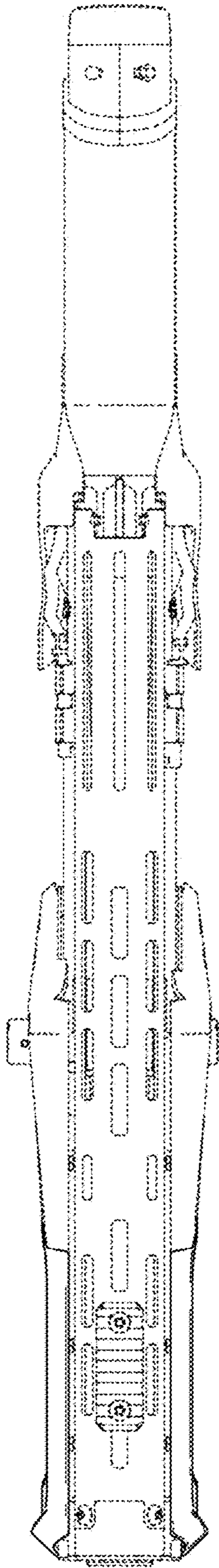
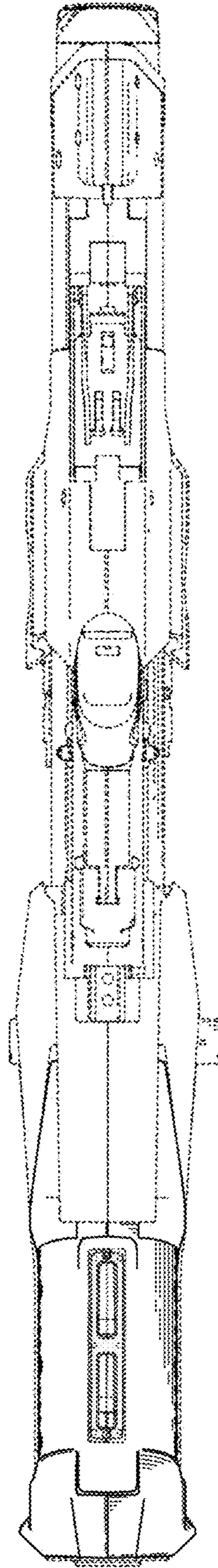


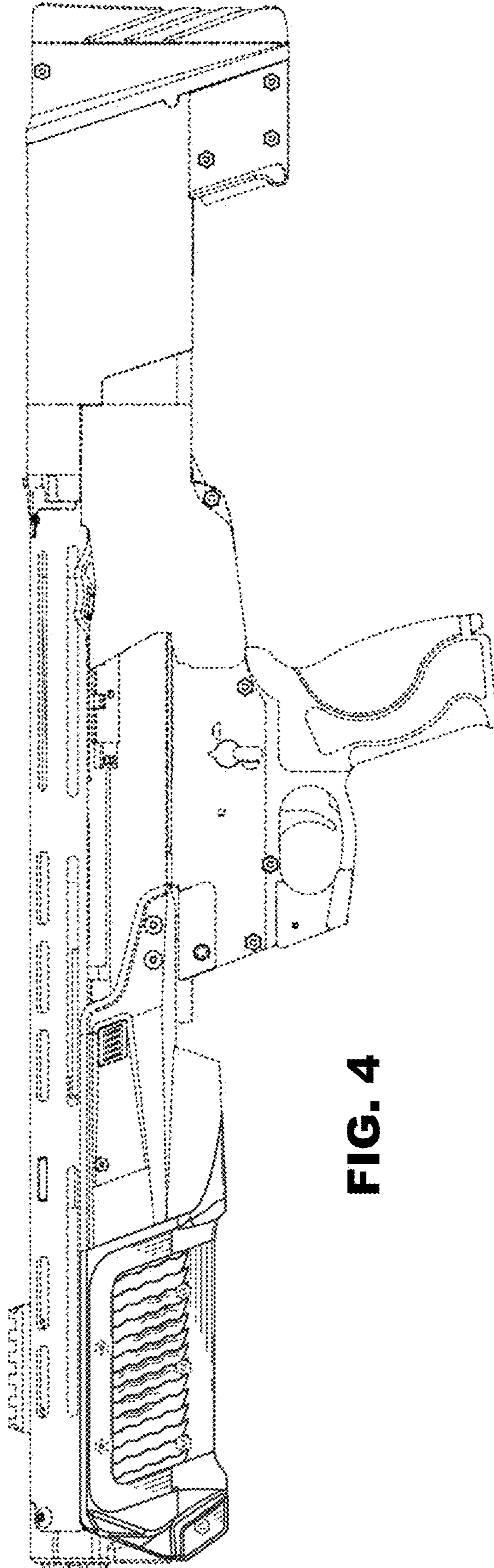
FIG.1



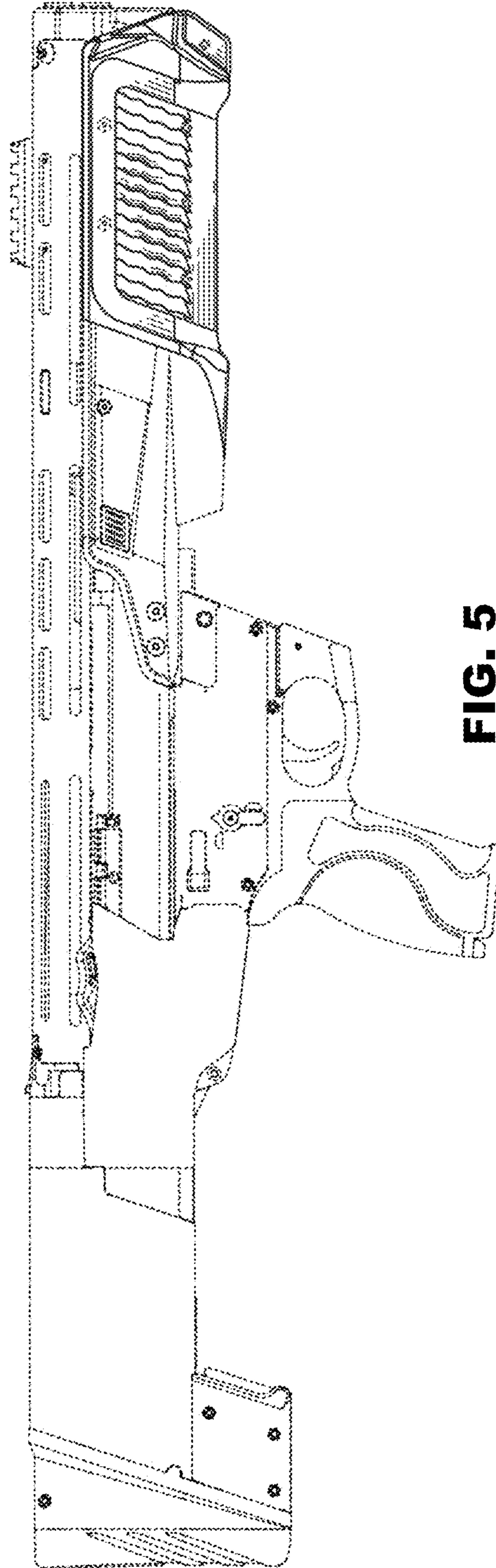
**FIG. 2**



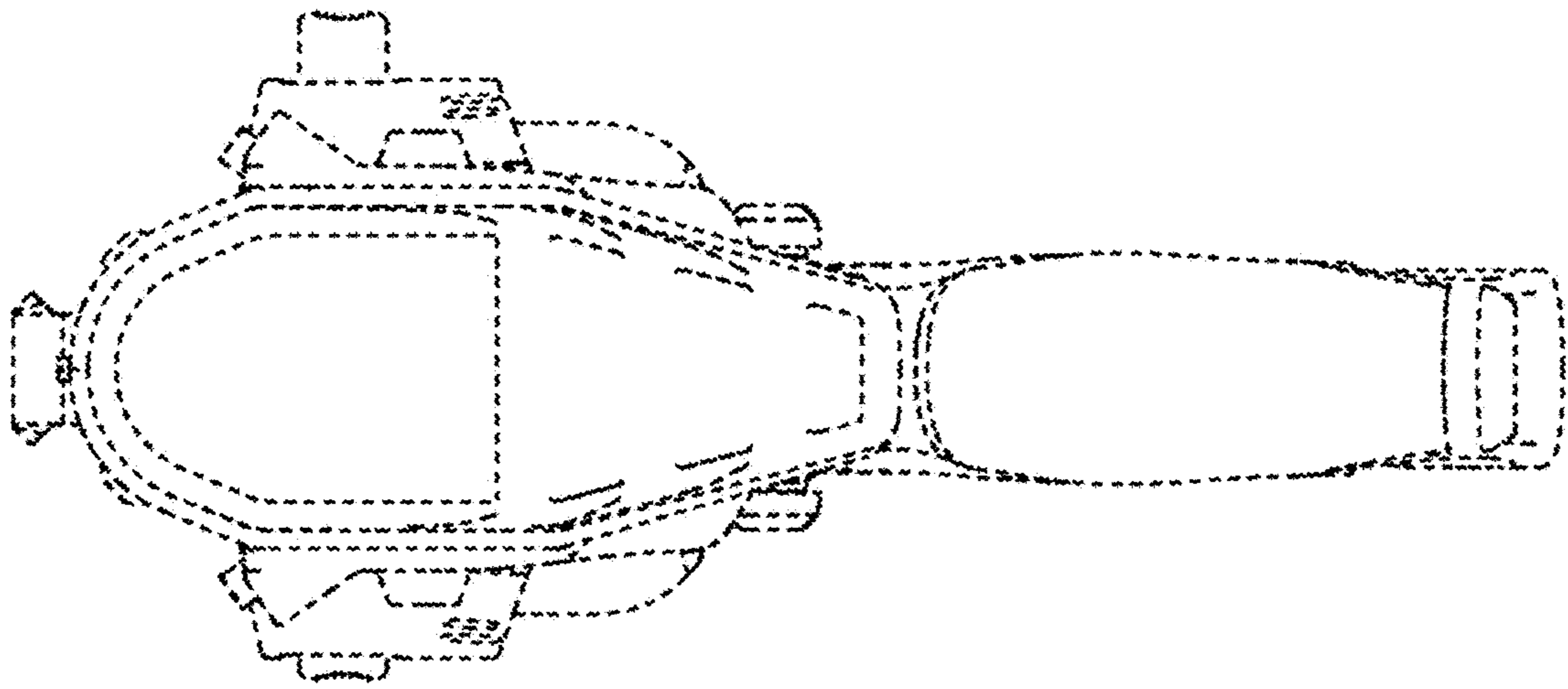
**FIG. 3**



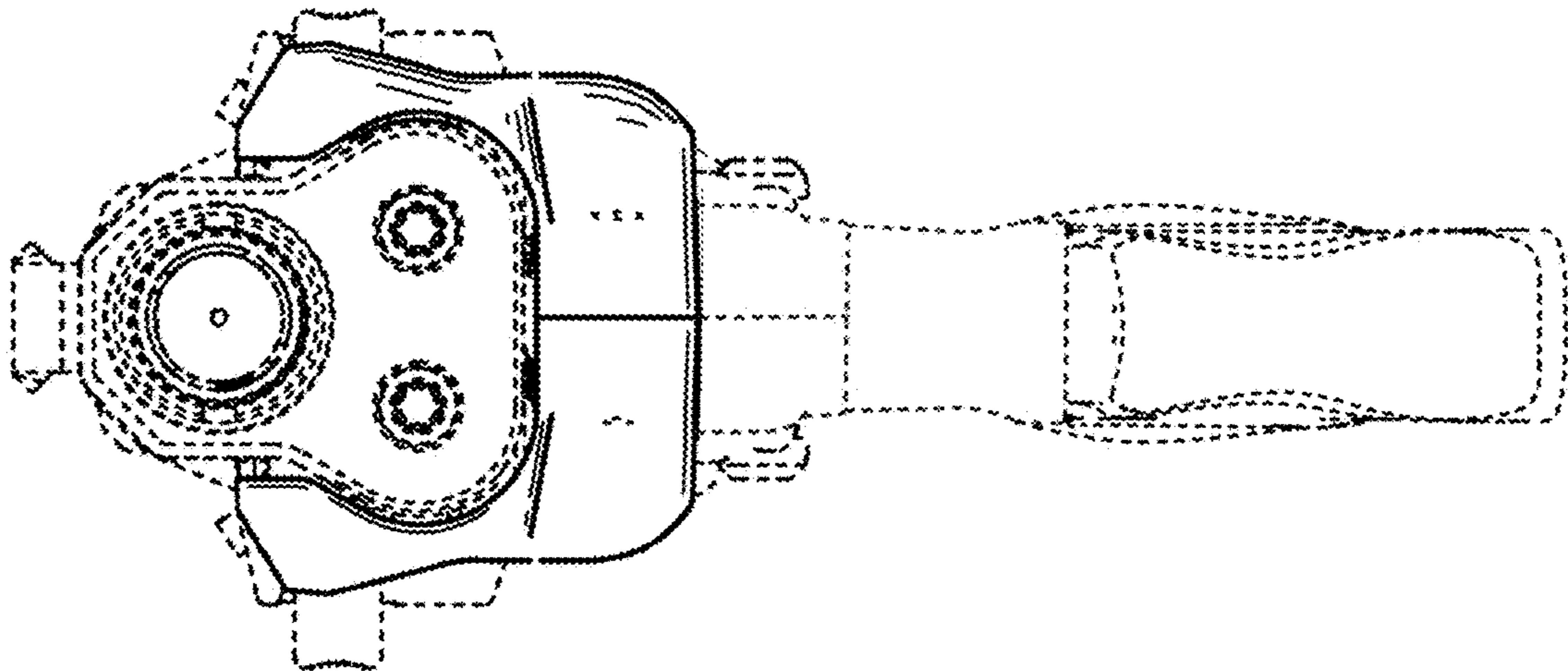
**FIG. 4**



**FIG. 5**



**FIG. 7**



**FIG. 6**

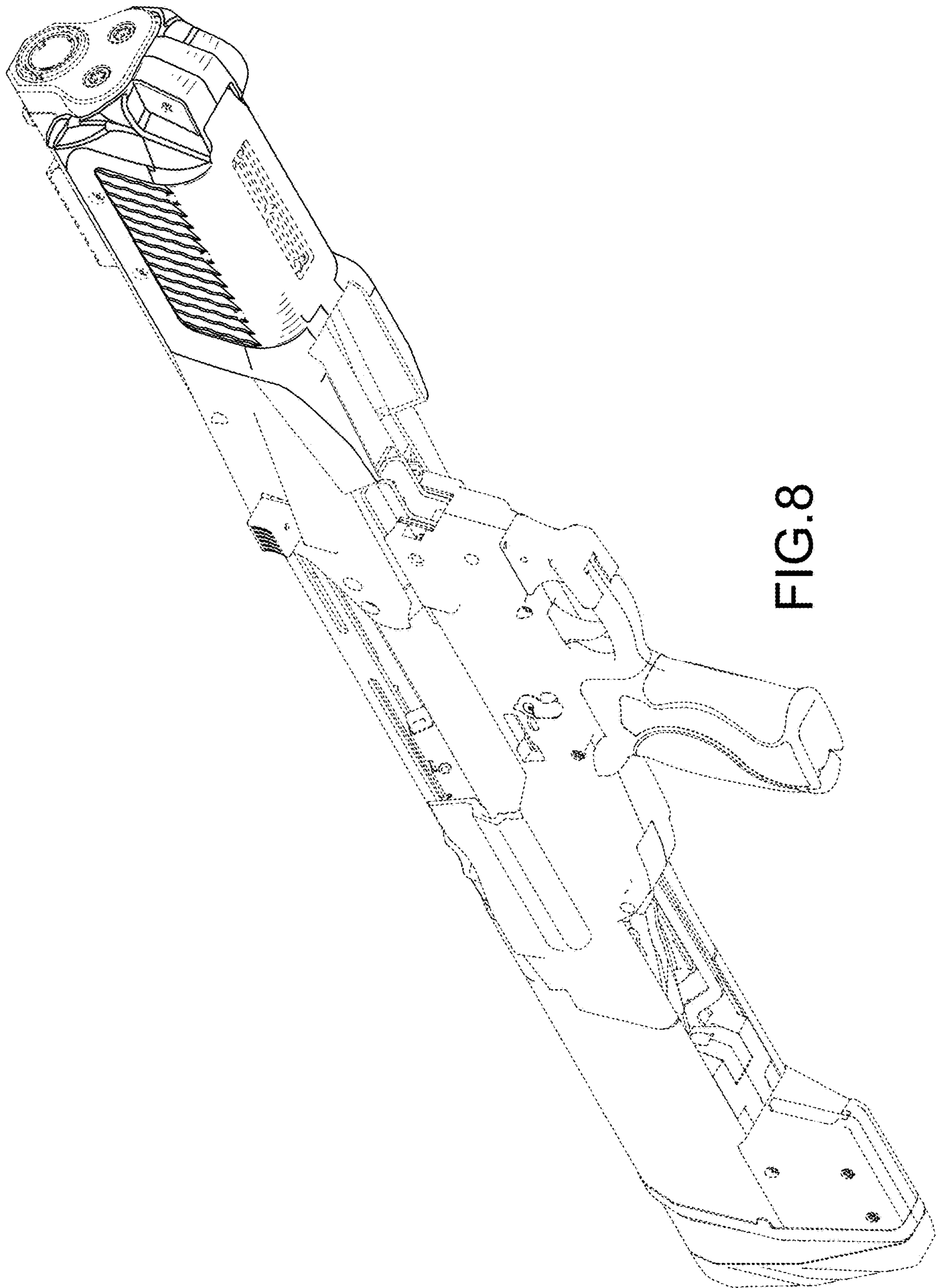


FIG.8