



US00D926277S

(12) **United States Design Patent**
Muska

(10) **Patent No.:** **US D926,277 S**

(45) **Date of Patent:** **** Jul. 27, 2021**

(54) **SHOTGUN**

(71) Applicant: **Smith & Wesson Inc.**, Springfield, MA (US)

(72) Inventor: **Simon M. Muska**, Enfield, CT (US)

(73) Assignee: **Smith & Wesson Inc.**, Springfield, MA (US)

(**) Term: **15 Years**

(21) Appl. No.: **29/765,454**

(22) Filed: **Jan. 8, 2021**

Related U.S. Application Data

(62) Division of application No. 29/717,342, filed on Dec. 17, 2019.

(51) **LOC (13) Cl.** **22-01**

(52) **U.S. Cl.**
USPC **D22/103**

(58) **Field of Classification Search**
USPC D22/100, 101, 103, 104, 105, 108;
D21/567, 570, 573, 574, 575
CPC F41C 3/00; F41C 7/00
See application file for complete search history.

(56) **References Cited**

U.S. PATENT DOCUMENTS

D251,979 S †	5/1979	Hance	D22/10
D285,234 S †	8/1986	Swearngen	D22/10
D290,153 S †	6/1987	Reaume	D22/10
D303,418 S †	9/1989	Miller	D22/10
D547,818 S †	7/2007	Wolfe	D22/10
7,299,737 B2 †	11/2007	Hajjar	F41A 3/46 89/180
D611,111 S †	3/2010	Hajjar	D22/10
D615,142 S *	5/2010	Bentley	D22/108
D665,042 S *	8/2012	Kellgren	D22/103
D672,838 S *	12/2012	Mayberry	D22/108

D693,420 S †	11/2013	Abbott	D22/10
D715,882 S †	10/2014	Jonker	D22/10
D719,631 S †	12/2014	Ferko	D22/10
D723,128 S †	2/2015	Hu	D22/10
D729,893 S †	5/2015	Foster	D22/103
D745,102 S †	12/2015	Young	D22/10
D745,103 S *	12/2015	Corsi	D22/103
D745,943 S †	12/2015	Geissele	D22/10
D749,181 S †	2/2016	Hu	D22/10

(Continued)

OTHER PUBLICATIONS

“The Best Shorty Shotguns” [online]. Joseph Albanese, Tom McHale, and T. Logan Metesh. [Published on Mar. 30, 2020]. Retrieved from the Internet: <<https://www.range365.com/best-new-shorty-shotguns-firearms-from-shot-show-2019-no-tax-stamp-required/>>.*

(Continued)

Primary Examiner — Mojtaba Tehrani

(74) *Attorney, Agent, or Firm* — John A. Chionchio, Esq.; Ballard Spahr LLP

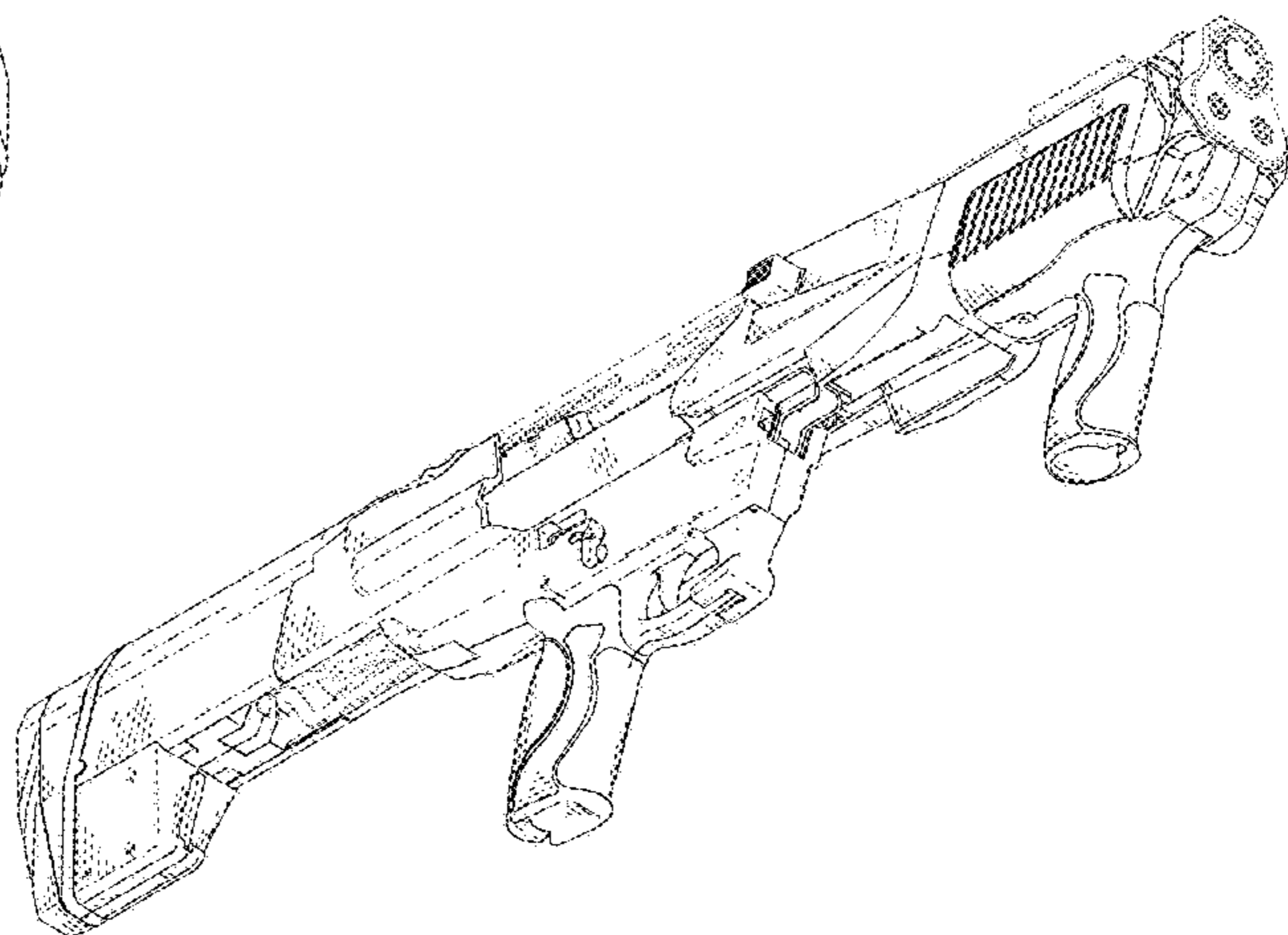
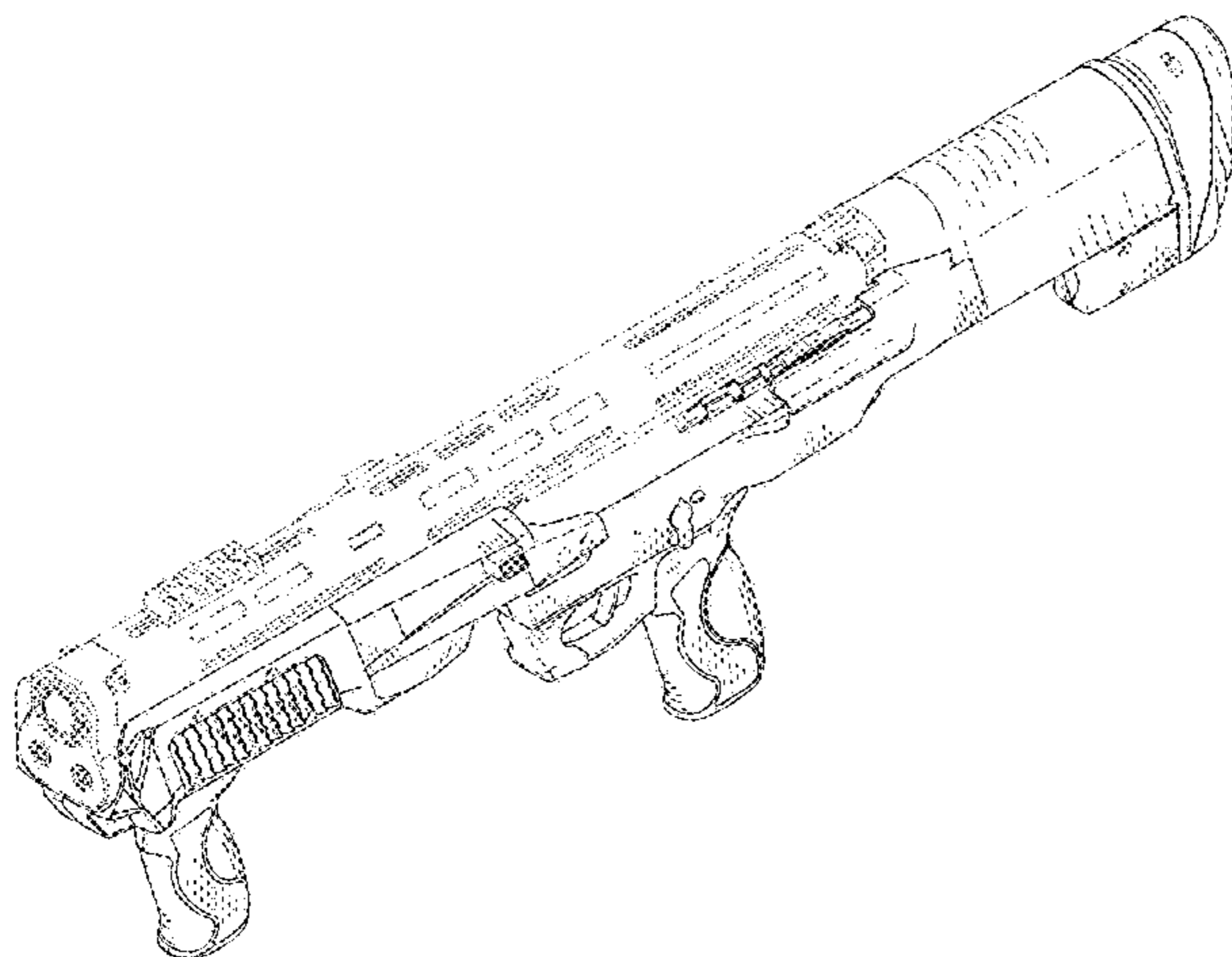
(57) **CLAIM**

I claim the ornamental design for a shotgun, as shown and described.

DESCRIPTION

FIG. 1 is a left side isometric view, from above, of a shotgun showing my new design;
FIG. 2 is a top view thereof;
FIG. 3 is a bottom view thereof;
FIG. 4 is a left side view thereof;
FIG. 5 is a right side view thereof;
FIG. 6 is a front view thereof;
FIG. 7 is a rear view thereof; and,
FIG. 8 is a right side isometric view thereof from below.
The broken lines in the figures form no part of the claimed design.

1 Claim, 6 Drawing Sheets



(56)

References Cited

U.S. PATENT DOCUMENTS

D750,722	S	‡	3/2016	Young	D22/10
D769,394	S	‡	10/2016	Young	D22/10
9,534,861	B1	‡	1/2017	Kellgren	F41A 21/48
D779,012	S	*	2/2017	Abbott	D22/103
D787,619	S	‡	5/2017	Young	D22/10
D814,591	S	‡	4/2018	Kocgu	D22/10
D879,880	S	*	3/2020	Abe	D21/333
D892,964	S	*	8/2020	Williams	D22/108
D906,562	S	*	12/2020	Hawk	D26/60
2020/0378709	A1	*	12/2020	Muska	F41A 19/45
2021/0025666	A1	*	1/2021	Muska	F41A 9/72
2021/0041208	A1	*	2/2021	Muska	F41A 17/34
2021/0048261	A1	*	2/2021	Muska	F41A 3/72
2021/0048262	A1	*	2/2021	Muska	F41C 23/04

OTHER PUBLICATIONS

“G&P M870 P.T.E. High Power Airsoft Tactical RIS Entry Shotgun (Color: Black)” [online]. Evike.com. [Retrieved on Mar. 13, 2021].

Retrieved from the Internet: <<https://www.evike.com/products/61974/>>.*

“Bullpup shotgun shootout: UTAS UTS15 vs. Keltec KSG” [online]. Oleg Volk. [Published on Jul. 22, 2013]. Retrieved from the Internet: <<https://www.alloutdoor.com/2013/07/22/uts15-vs-ksg/>>‡.

“DP-12—Double-Barrel Bullpup Shotgun by LAV” [online]. Nathan S. [Published on Oct. 5, 2015]. Retrieved from the Internet: <<https://www.thefirearmblog.com/blog/2015/10/05/dp-12-double-barrel-bullpup-shotgun-by-lav/>>‡.

“DP-12—Double-Barrel Bullpup Shotgun by LAV” [online]. Nathan S. [Published on Oct. 5, 2015]. Retrieved from the Internet: <<https://www.thefirearmblog.com/blog/2018/10/05/dp-12-double-barrel-bullpup-shotgun-by-lav/>>‡.

Oleg Volk; Bullpup Shotgun Shootout: UTAS UTS15 vs. Keltec KSG (online); Published Jul. 22, 2013; Retrieved from https://www.alloutdoor.com/2013/07/22/uts_15-bs-ksg/.

Nathan S.; DP-12—Double-Barrel Bullpup Shotgun by LAV (online); Published Oct. 5, 2015; Retrieved from <https://www.thefirearmblog.com/blog/2015/10/05/dp-12-double-barrel-bullpup-shotgun-by-law>.

* cited by examiner

‡ imported from a related application

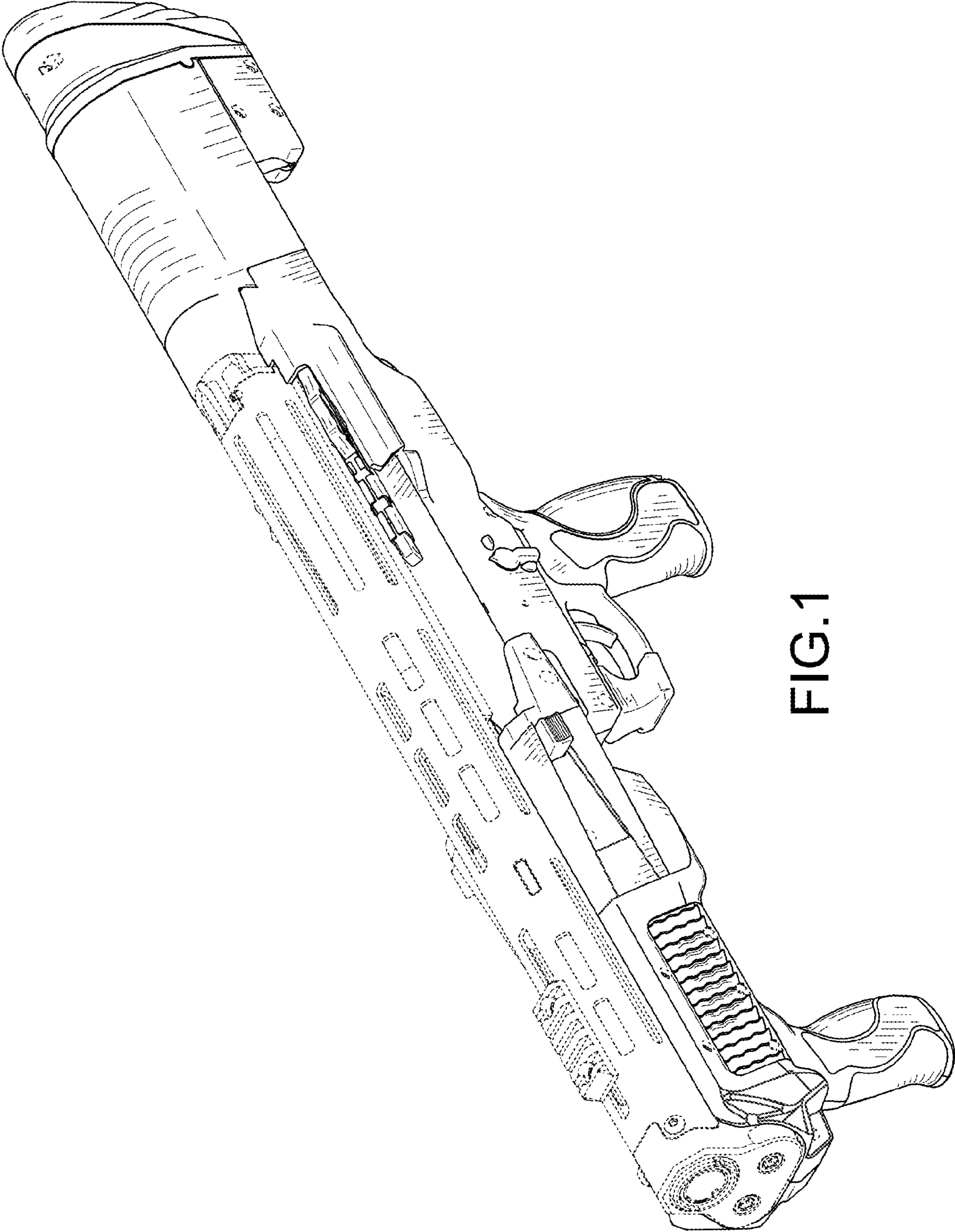


FIG.1

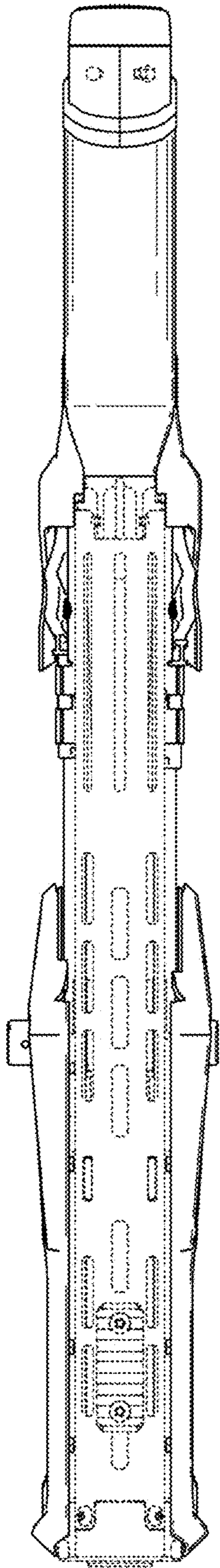


FIG. 2

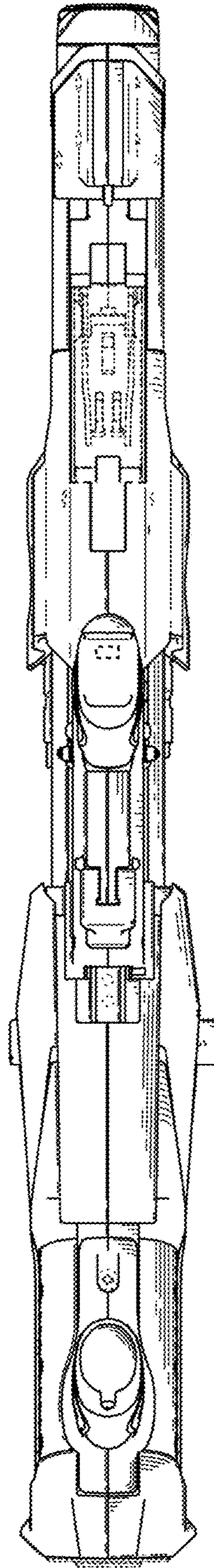


FIG. 3

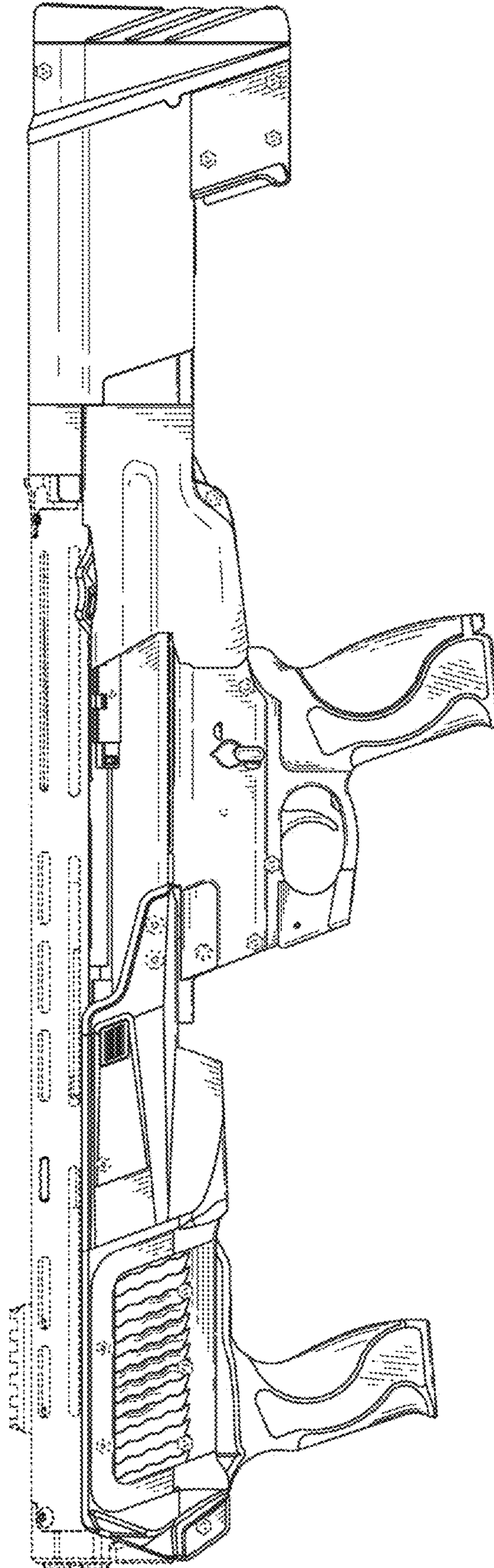


FIG. 4

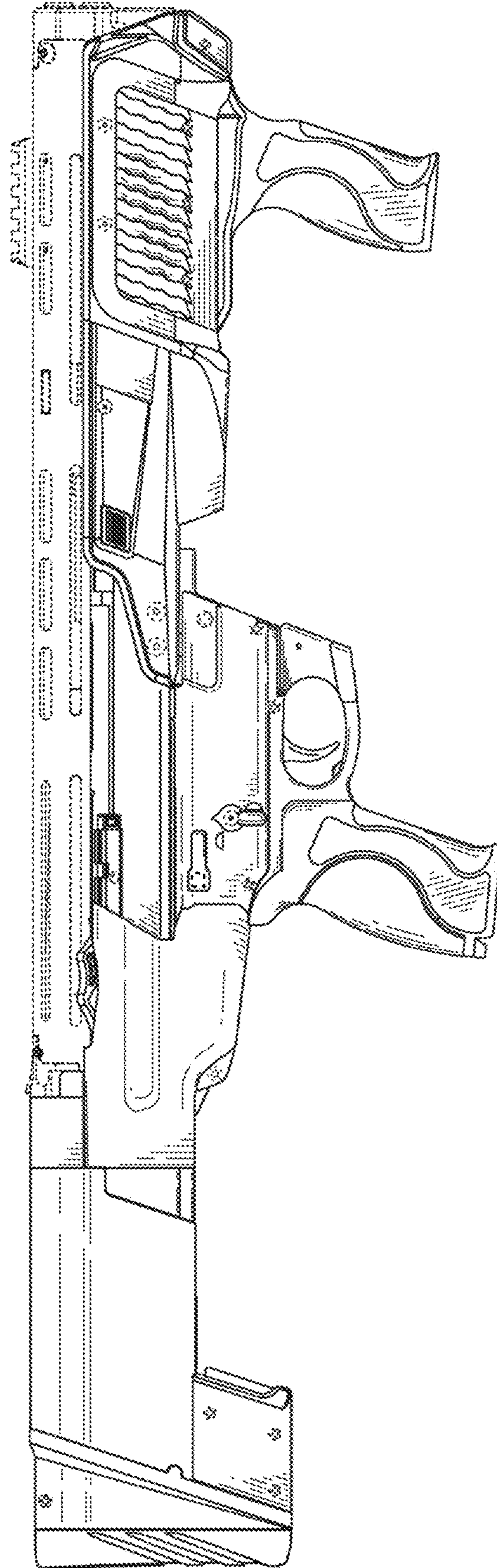


FIG. 5

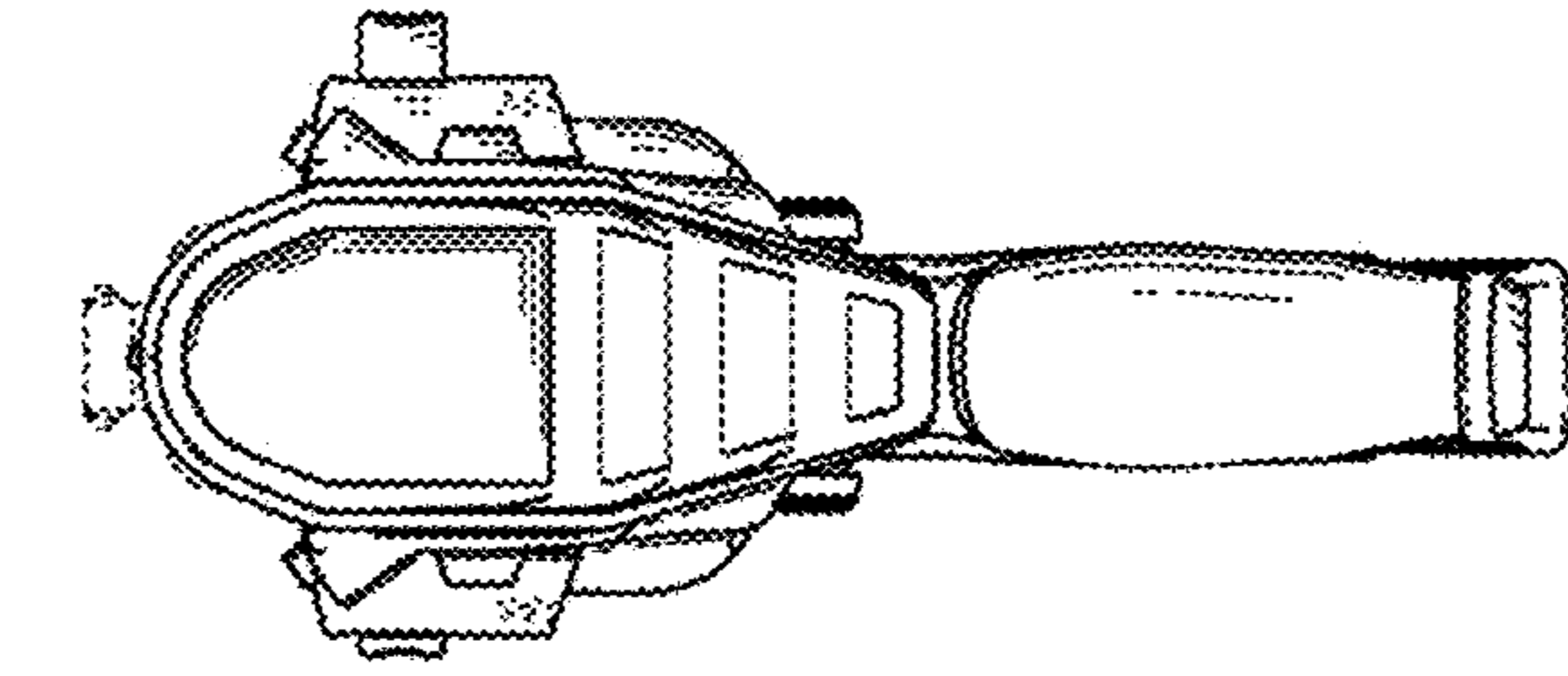


FIG. 7

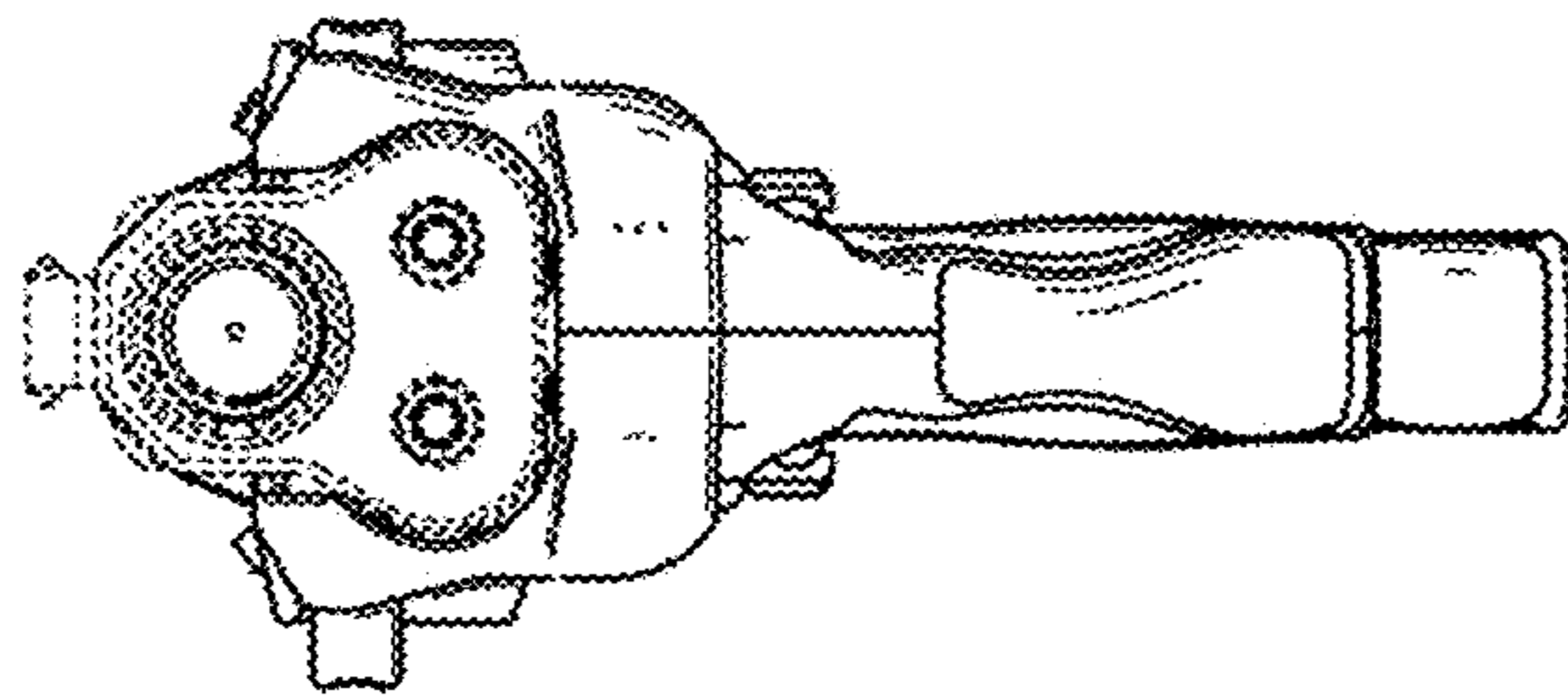


FIG. 6

