



US00D926276S

(12) **United States Design Patent**  
**Kärkkäinen**

(10) **Patent No.:** **US D926,276 S**  
(45) **Date of Patent:** **\*\* Jul. 27, 2021**

(54) **FLOATING RECREATIONAL PLATFORM**

4,750,894 A \* 6/1988 Nealey ..... B63C 9/04  
441/40  
D646,738 S \* 10/2011 Checkley ..... D21/769  
D766,239 S \* 9/2016 Goetgeluk ..... D14/388

(71) Applicant: **AuroraHut Oy**, Ylivieska (FI)

(72) Inventor: **Juha Kärkkäinen**, Ylivieska (FI)

(73) Assignee: **AuroraHut Oy**, Ylivieska (FI)

(\*\*) Term: **15 Years**

(21) Appl. No.: **29/702,499**

(22) Filed: **Aug. 20, 2019**

(30) **Foreign Application Priority Data**

Feb. 25, 2019 (EM) ..... 006266045-0002

(51) **LOC (13) Cl.** ..... **21-02**

(52) **U.S. Cl.**  
USPC ..... **D21/803**

(58) **Field of Classification Search**  
USPC ..... D21/399, 412, 760, 769, 815, 801, 803,  
D21/804, 808, 809, 810, 839; 441/35,  
441/40, 41, 65, 66, 67, 72, 73, 74, 80, 87,  
441/88, 129, 130, 131, 132, 136; D12/1,  
D12/2, 6, 300, 316, 317, 318; D25/1, 13,  
D25/32, 199

CPC ..... A63B 31/00  
See application file for complete search history.

(56) **References Cited**

**U.S. PATENT DOCUMENTS**

3,045,264 A \* 7/1962 Smith ..... B63B 1/041  
441/67  
D226,633 S \* 4/1973 Beck ..... D21/769  
4,067,285 A \* 1/1978 Jones ..... B63B 35/4413  
114/266  
D271,096 S \* 10/1983 Nurmi ..... D12/316

**OTHER PUBLICATIONS**

“AuroraHut” available Aug. 14, 2019, [online], [site visited Sep. 21, 2020], Retrieved from Internet, URL:https://www.youtube.com/watch?v=ooZCYoelQMA (Year: 2020).\*

“AuroraHut facebook” available May 17, 2019, [online], [site visited Sep. 21, 2020], Retrieved from Internet, URL:https://www.facebook.com/AuroraHutcom/photos/a.2279980155603387/2280599605541442/ (Year: 2019).\*

\* cited by examiner

*Primary Examiner* — Michael C Stout

*Assistant Examiner* — Katrina N Gonzalez

(74) *Attorney, Agent, or Firm* — Merchant & Gould P.C.

(57) **CLAIM**

The ornamental design for a floating recreational platform, as shown and described.

**DESCRIPTION**

FIG. 1 is a top perspective view of the floating recreational platform, showing my new design.

FIG. 2 is a bottom perspective view thereof;

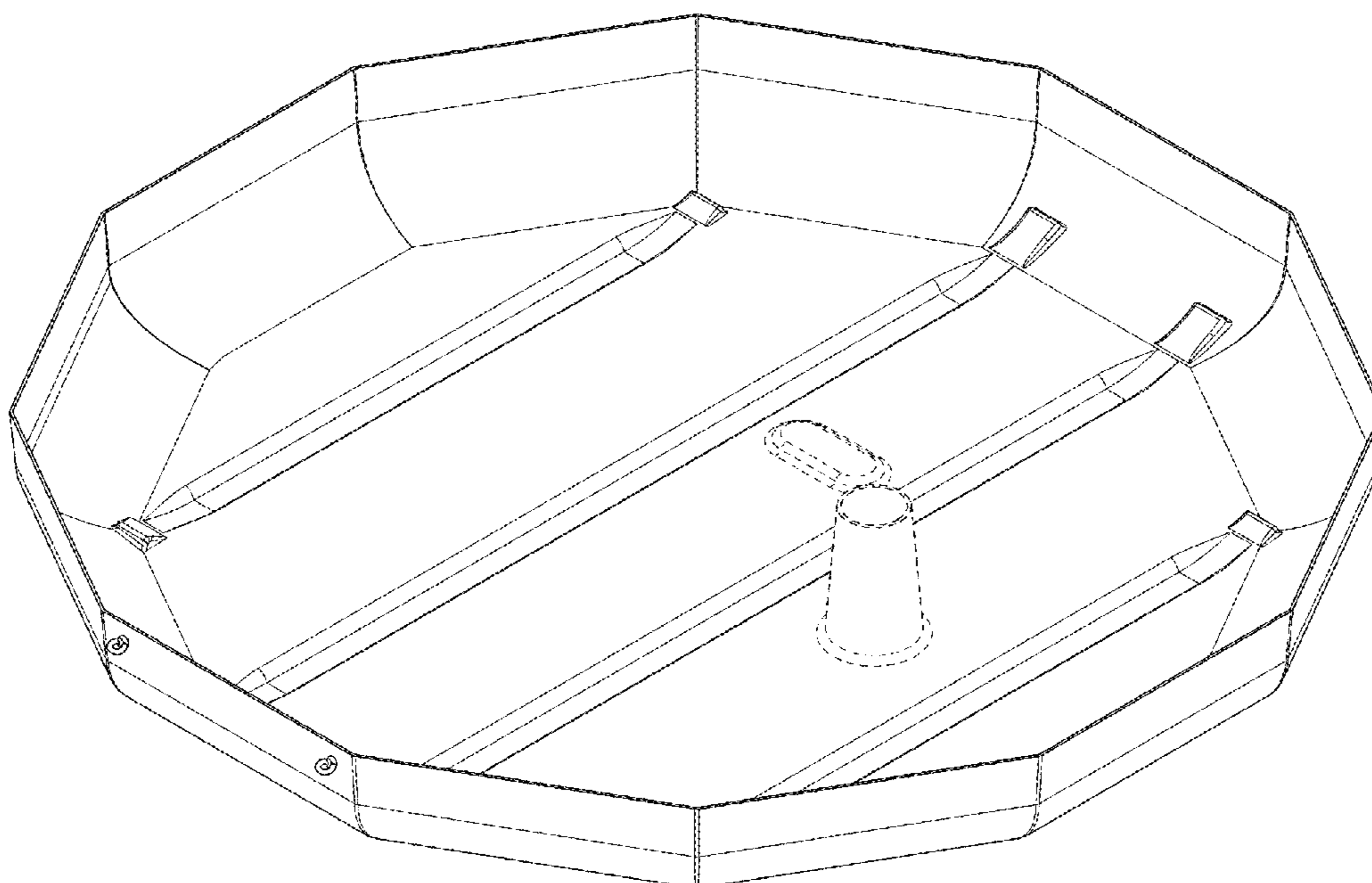
FIG. 3 is a side elevation view thereof;

FIG. 4 is a top plan view thereof; and,

FIG. 5 is a bottom plan view thereof.

The broken lines illustrate portions of the floating recreational platform that form no part of the claimed design.

**1 Claim, 5 Drawing Sheets**



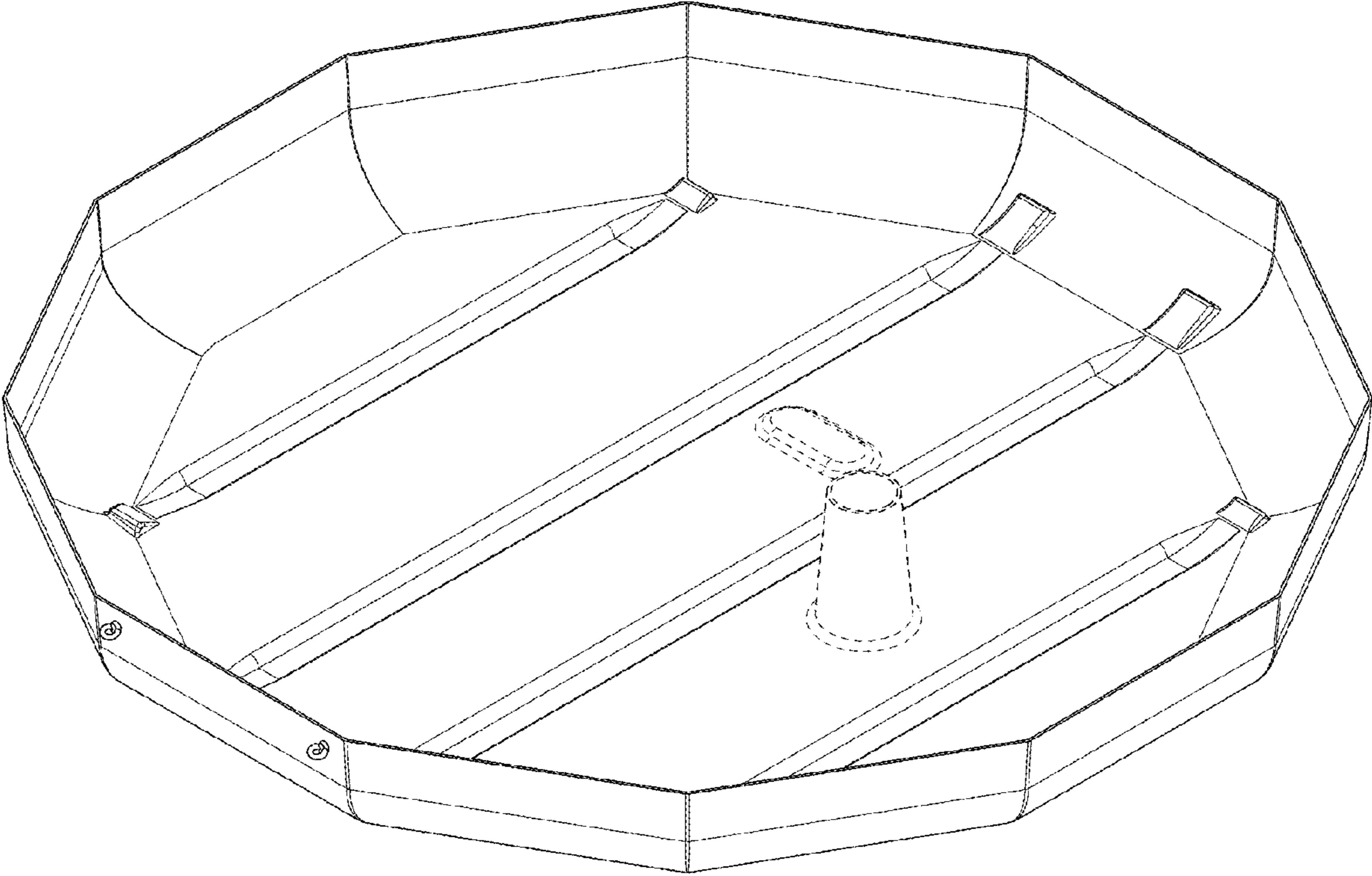


FIG. 1

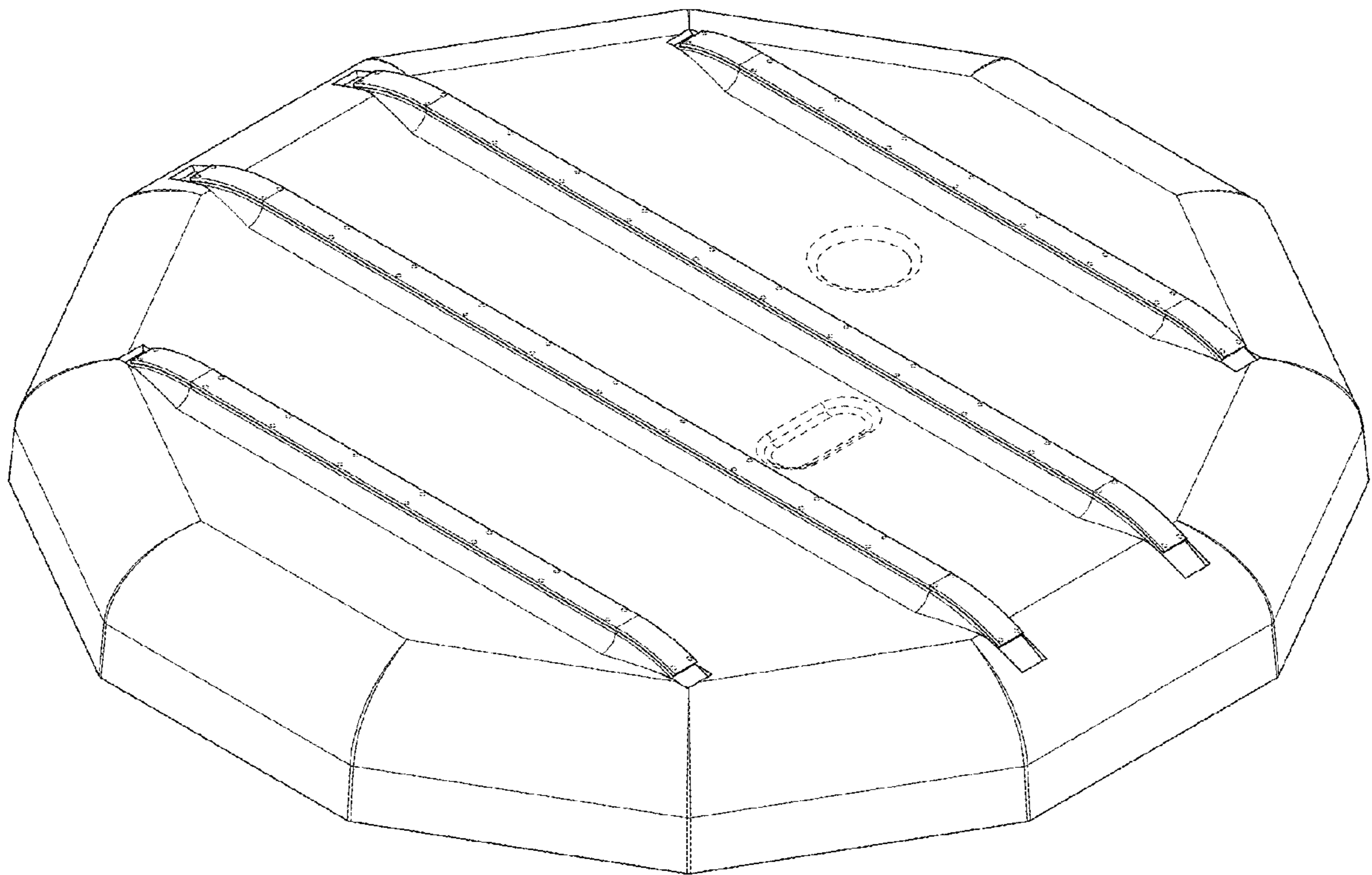


FIG. 2

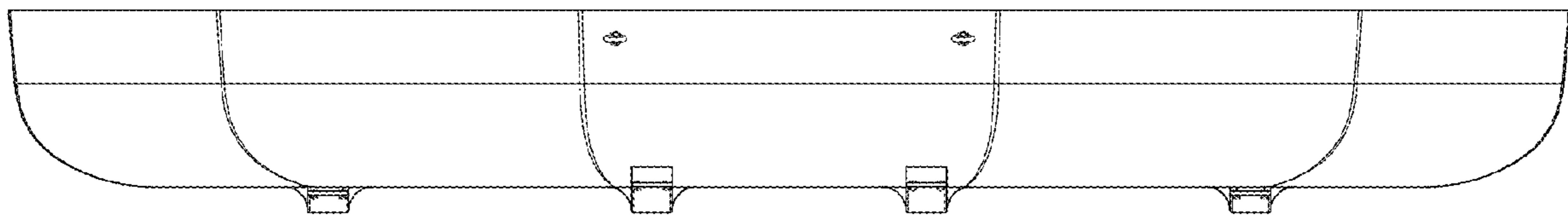


FIG. 3

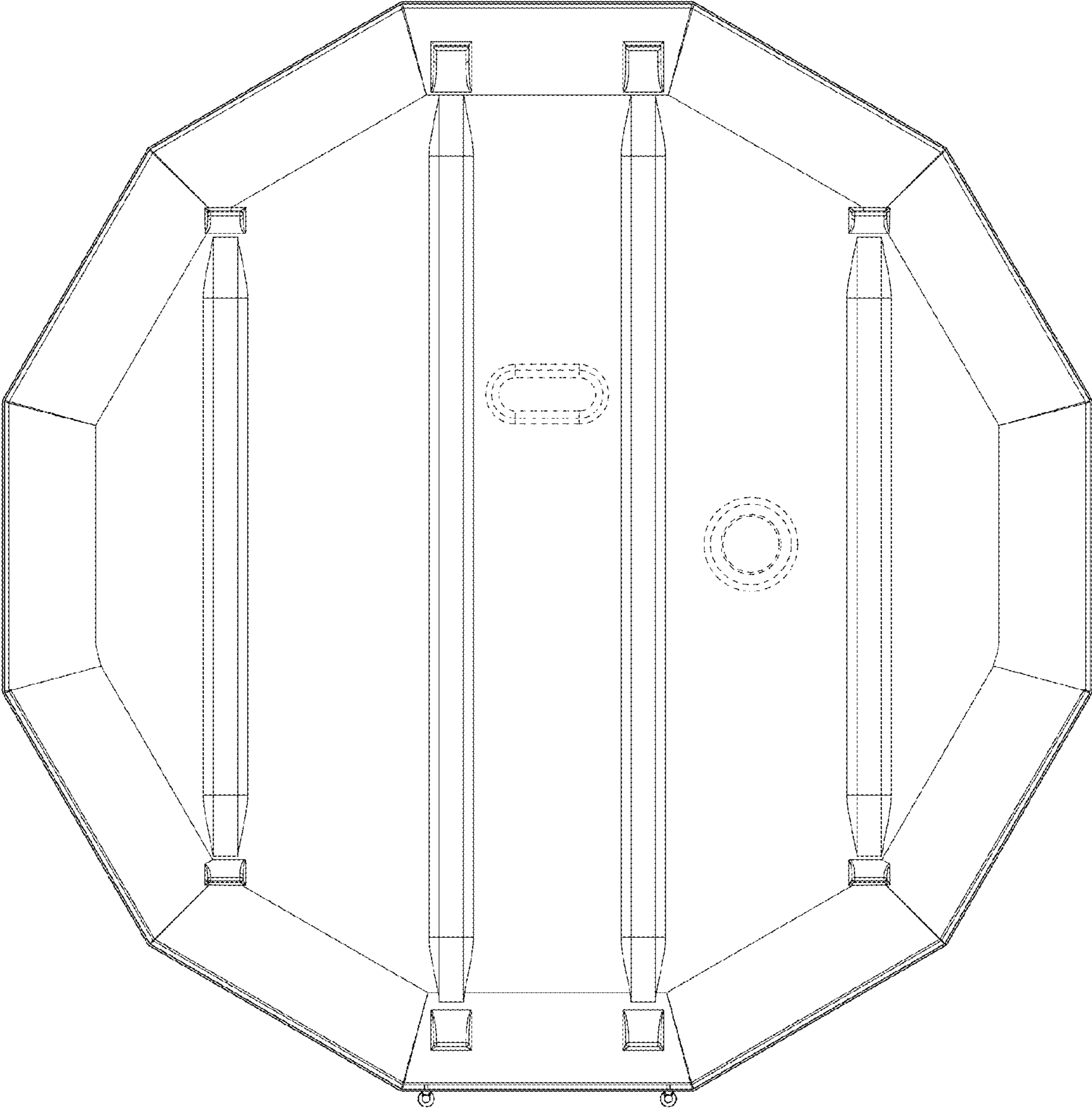


FIG. 4

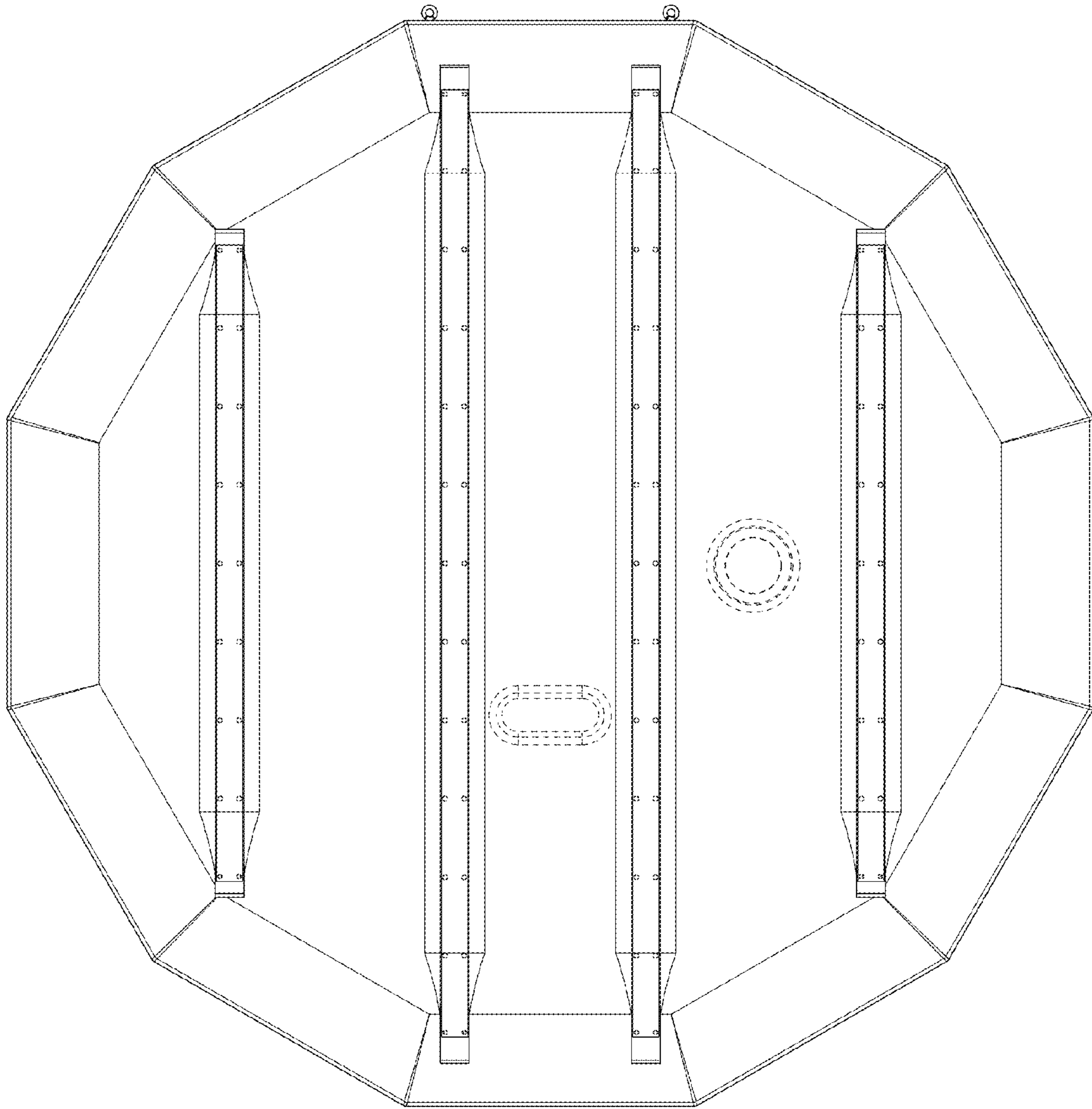


FIG. 5