



US00D926275S

(12) **United States Design Patent** (10) **Patent No.:** **US D926,275 S**  
**Agrella** (45) **Date of Patent:** **\*\* Jul. 27, 2021**

(54) **GOLF CLUB HEAD**  
(71) Applicant: **SUMITOMO RUBBER INDUSTRIES, LTD.**, Kobe (JP)  
(72) Inventor: **Alexandra Agrella**, Huntington Beach, CA (US)  
(73) Assignee: **SUMITOMO RUBBER INDUSTRIES, LTD.**, Kobe (JP)  
(\*\*) Term: **15 Years**  
(21) Appl. No.: **29/723,729**  
(22) Filed: **Feb. 10, 2020**  
(51) **LOC (13) Cl.** ..... **21-02**  
(52) **U.S. Cl.**  
USPC ..... **D21/759**  
(58) **Field of Classification Search**  
USPC ..... D21/747-751, 759  
CPC ..... A63B 53/00; A63B 53/02; A63B 53/04; A63B 53/047; A63B 53/0475; A63B 2053/0479; A63B 2053/0483; A63B 2053/0445; A63B 60/00; A63B 60/46  
See application file for complete search history.

(56) **References Cited**  
U.S. PATENT DOCUMENTS  
D614,710 S \* 4/2010 Kim ..... D21/747  
D618,293 S \* 6/2010 Foster ..... D21/747  
D707,772 S \* 6/2014 Oldknow ..... D21/759  
D746,926 S \* 1/2016 Parsons ..... D21/747  
D763,375 S \* 8/2016 Chun ..... D21/747  
D764,610 S \* 8/2016 Parsons ..... D21/747  
D765,804 S \* 9/2016 Oliveiro ..... D21/747  
D767,066 S \* 9/2016 Asazuma ..... D21/759  
D823,406 S \* 7/2018 Oyler ..... D21/747

D859,551 S \* 9/2019 Asatsuma ..... D21/759  
D861,812 S \* 10/2019 Asatsuma ..... D21/759  
D866,692 S \* 11/2019 Kitching, Jr. .... D21/747  
D867,499 S \* 11/2019 Kitching, Jr. .... D21/747  
D867,500 S \* 11/2019 Wolfe ..... D21/747  
D885,501 S \* 5/2020 Tsuchihashi ..... D21/748  
D895,039 S \* 9/2020 Wang ..... D21/747  
D900,261 S \* 10/2020 Chun ..... D21/747  
D902,333 S \* 11/2020 Clarke ..... D21/747  
D914,815 S \* 3/2021 Clarke ..... D21/747  
2016/0375320 A1\* 12/2016 Franz ..... A63B 60/02  
473/291  
2018/0085641 A1\* 3/2018 Breier ..... A63B 53/0475

\* cited by examiner

*Primary Examiner* — Mitchell I. Siegel  
(74) *Attorney, Agent, or Firm* — Birch, Stewart, Kolasch & Birch, LLP

(57) **CLAIM**

The ornamental design for a golf club head, as shown and described.

**DESCRIPTION**

FIG. 1 is a perspective view of a golf club head showing our new design;  
FIG. 2 is a front view thereof;  
FIG. 3 is a back view thereof;  
FIG. 4 is a top view thereof;  
FIG. 5 is a bottom view thereof;  
FIG. 6 is a right view thereof;  
FIG. 7 is a left view thereof; and,  
FIG. 8 is a cross-sectional view taken on line 8-8 of FIG. 3. The broken lines shown in the figures form no part of the claimed design. The dot-dash broken lines indicate a boundary line and form no part of the claimed design.

**1 Claim, 8 Drawing Sheets**

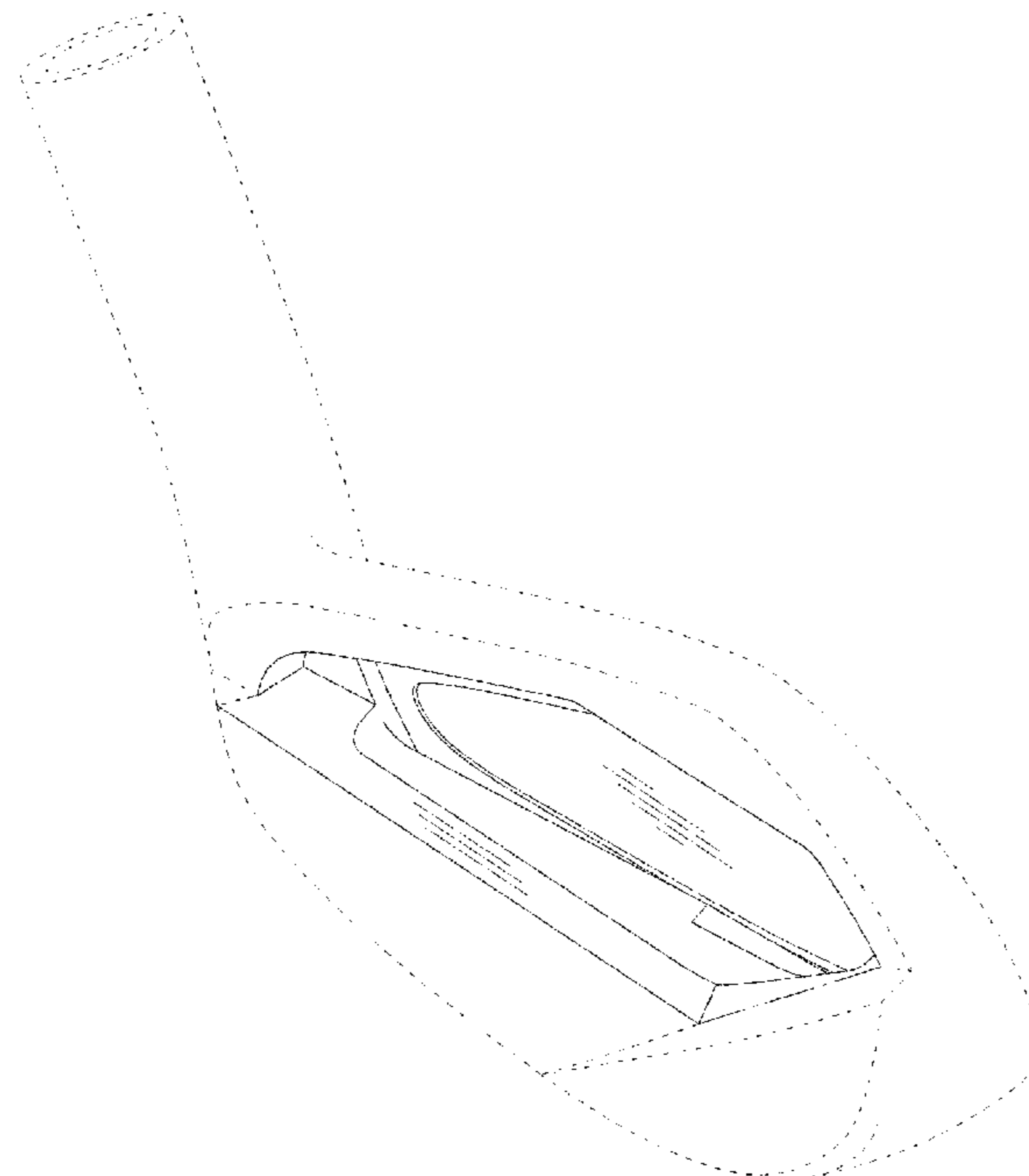


Fig. 1

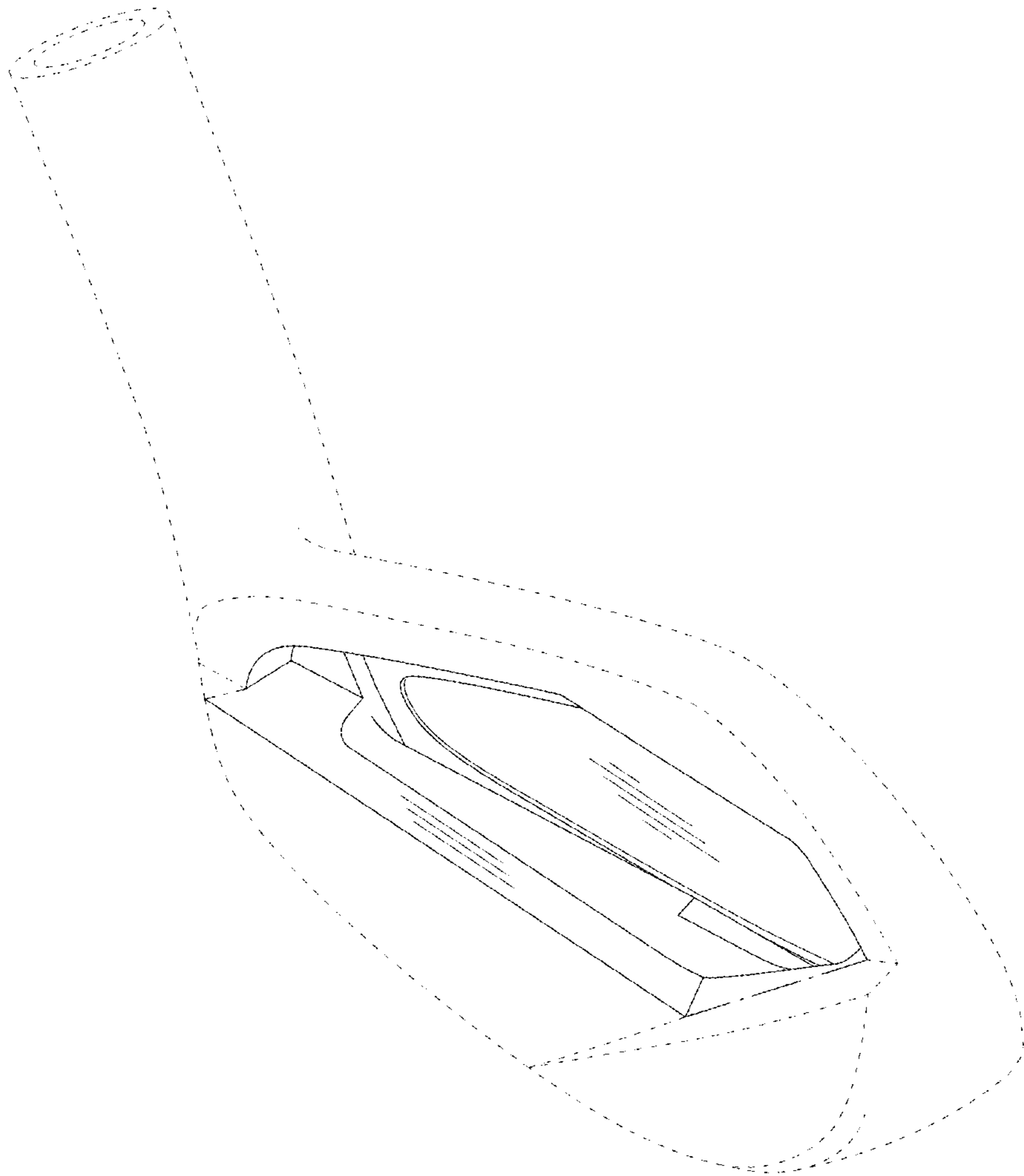


Fig. 2

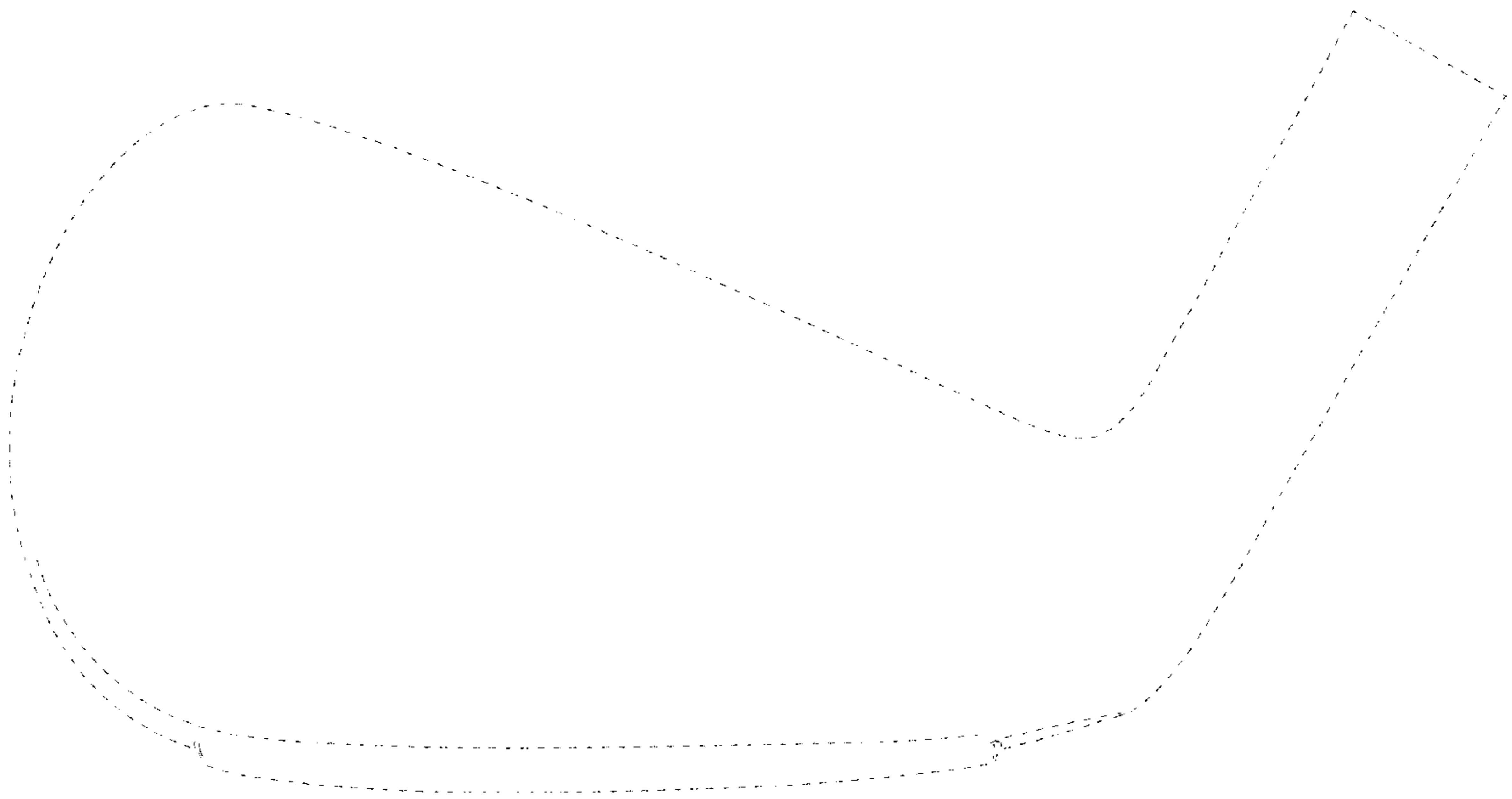


Fig. 3

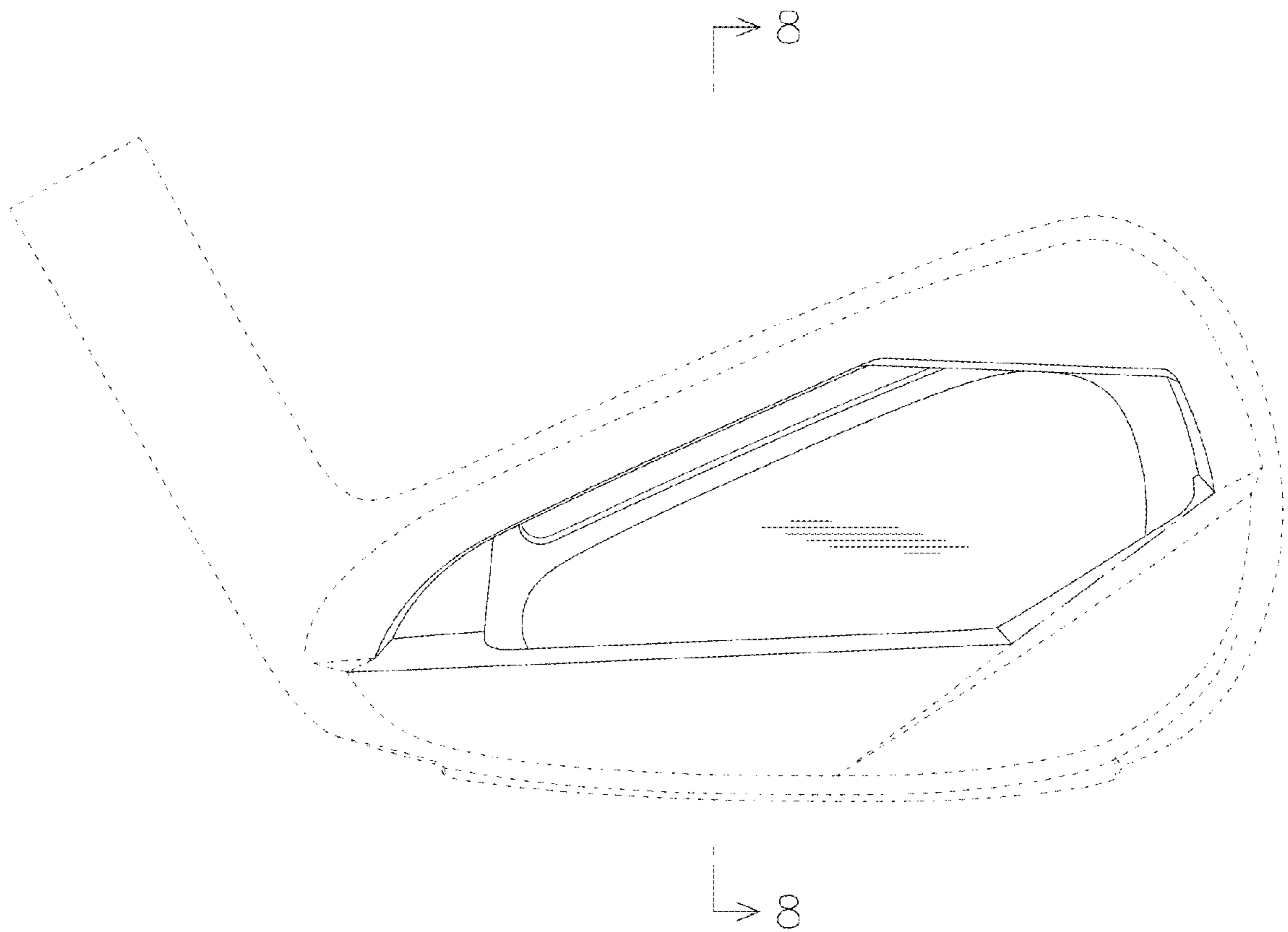


Fig. 4

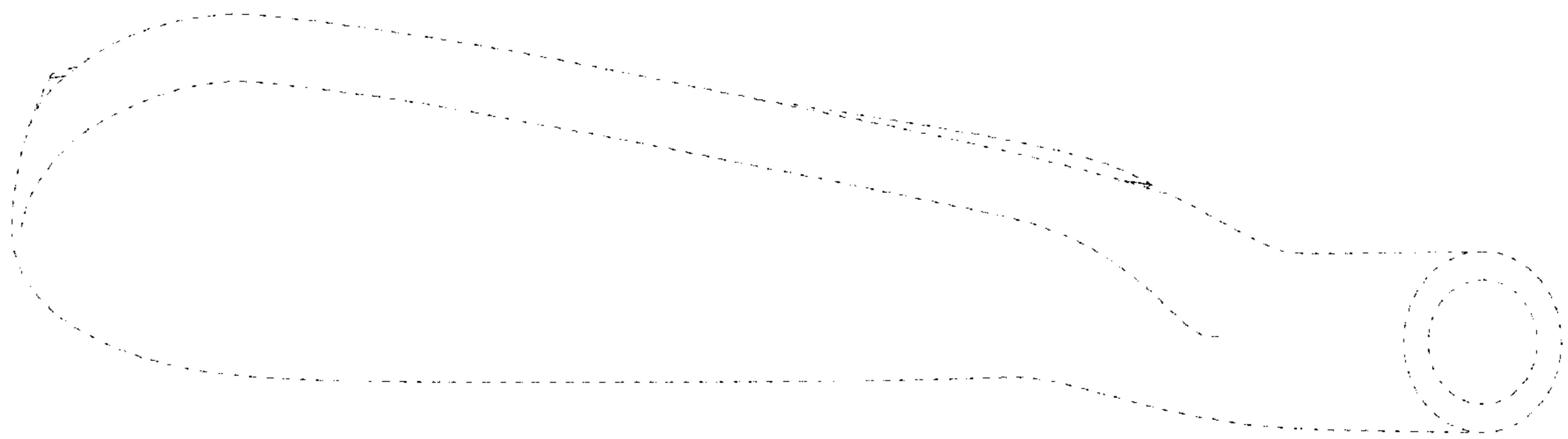


Fig. 5

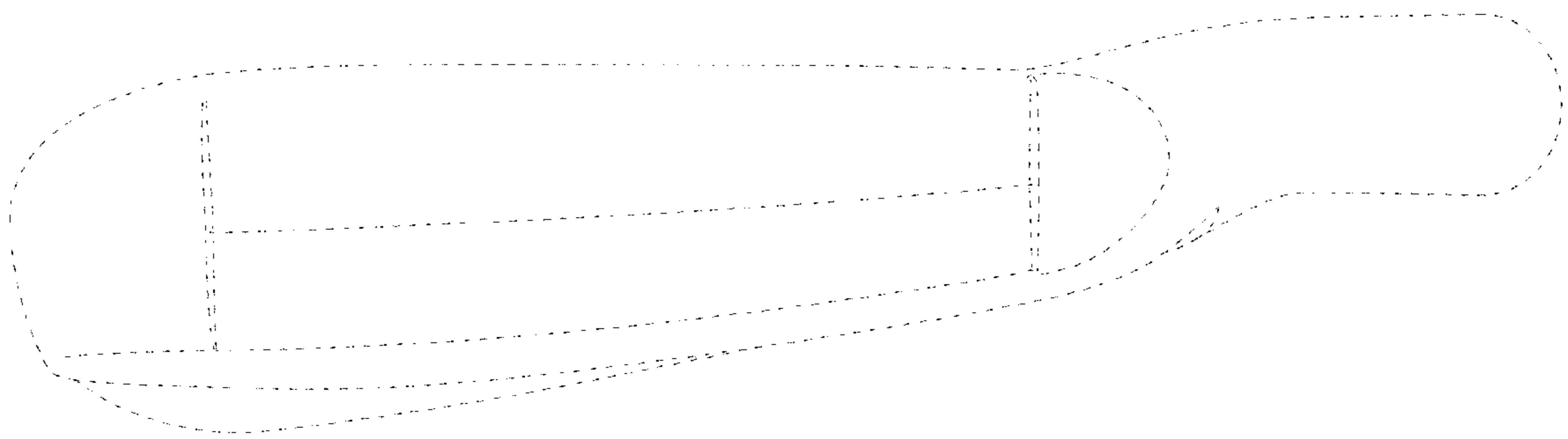


Fig. 6

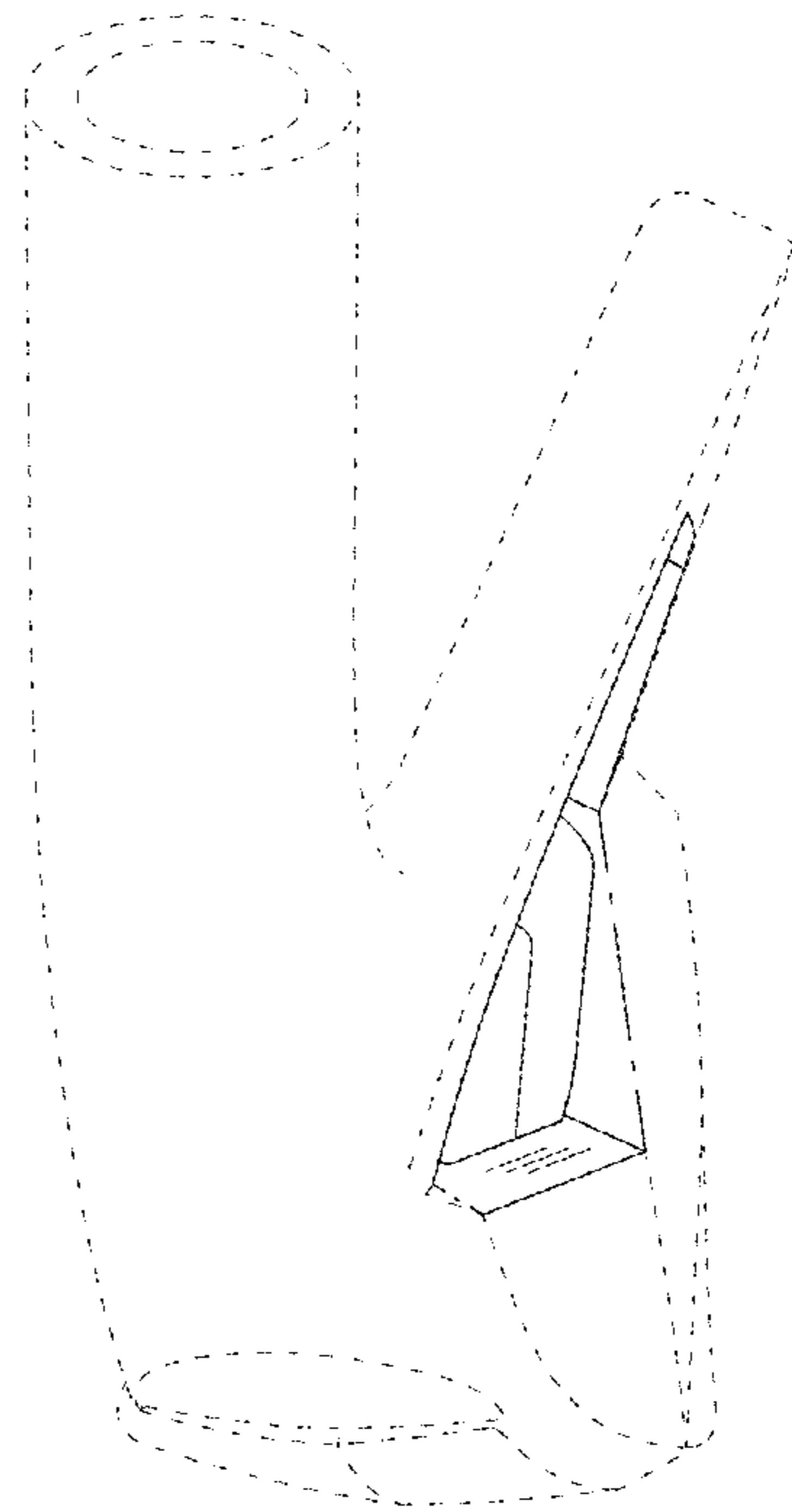


Fig. 7

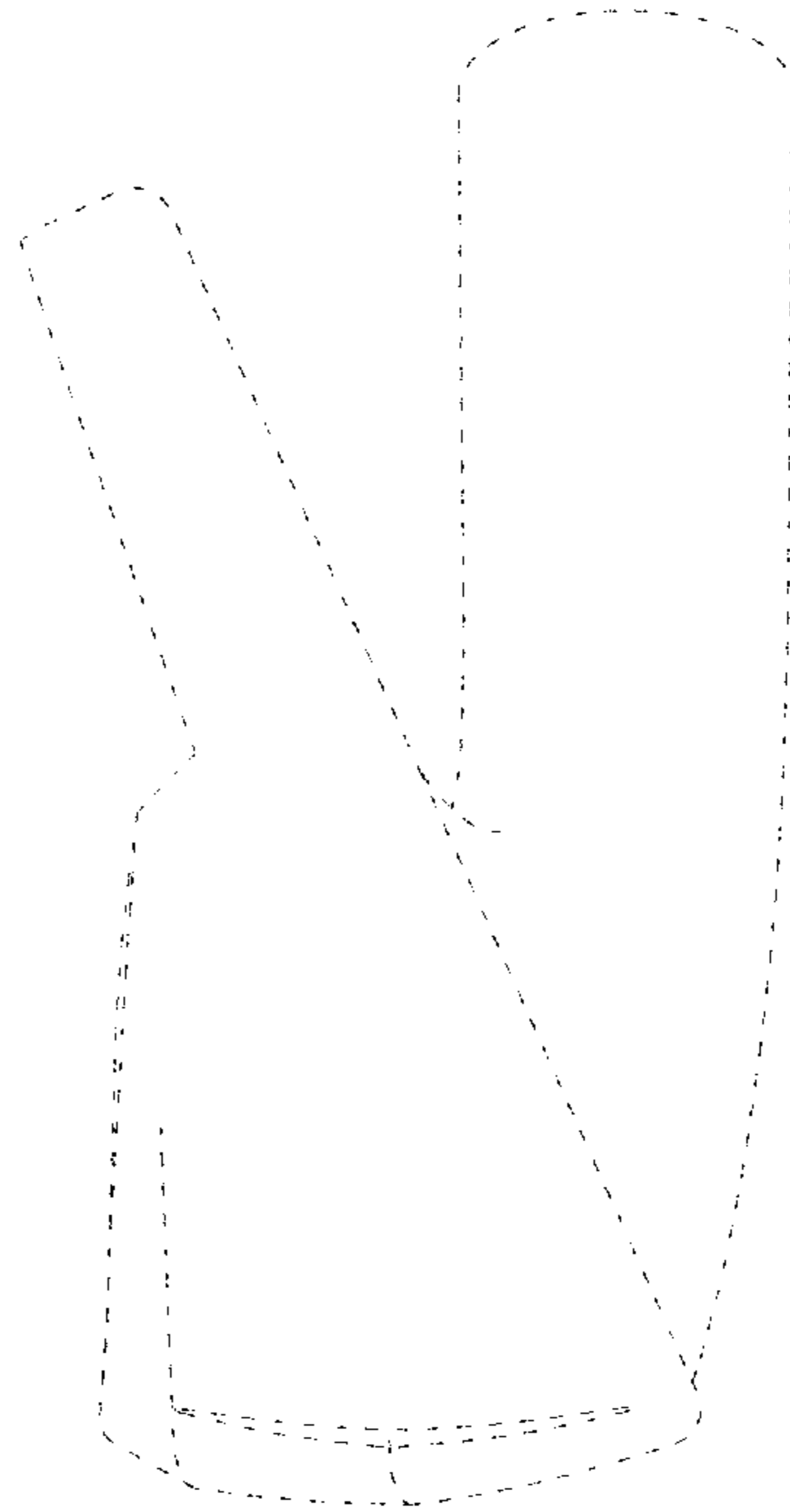




Fig. 8

