



US00D926273S

(12) **United States Design Patent**
Agrella

(10) **Patent No.:** **US D926,273 S**

(45) **Date of Patent:** **** Jul. 27, 2021**

- (54) **GOLF CLUB HEAD**
- (71) Applicant: **SUMITOMO RUBBER INDUSTRIES, LTD.**, Kobe (JP)
- (72) Inventor: **Alexandra Agrella**, Huntington Beach, CA (US)
- (73) Assignee: **SUMITOMO RUBBER INDUSTRIES, LTD.**, Kobe (JP)
- (**) Term: **15 Years**
- (21) Appl. No.: **29/723,731**
- (22) Filed: **Feb. 10, 2020**
- (51) **LOC (13) Cl.** **21-02**
- (52) **U.S. Cl.**
USPC **D21/747**
- (58) **Field of Classification Search**
USPC D21/747-751, 759
CPC A63B 53/00; A63B 53/02; A63B 53/04;
A63B 53/047; A63B 53/0475; A63B
2053/0479; A63B 2053/0483; A63B
2053/0445; A63B 60/00; A63B 60/46
See application file for complete search history.

D629,061 S *	12/2010	Llewellyn	D21/759
D645,103 S *	9/2011	Llewellyn	D21/759
D647,986 S *	11/2011	Atwell	D21/747
D682,960 S *	5/2013	Voshall	D21/747
D682,962 S *	5/2013	Llewellyn	D21/747
D715,881 S *	10/2014	Roche	D21/759
D746,926 S *	1/2016	Parsons	D21/747
D764,610 S *	8/2016	Parsons	D21/747
D767,066 S *	9/2016	Asazuma	D21/759
D823,406 S *	7/2018	Oyler	D21/747
D859,551 S *	9/2019	Asatsuma	D21/759
D861,812 S *	10/2019	Asatsuma	D21/759
D885,501 S *	5/2020	Tsuchihashi	D21/748
D895,039 S *	9/2020	Wang	D21/747
D902,333 S *	11/2020	Clarke	D21/747
D914,815 S *	3/2021	Clarke	D21/747

* cited by examiner

Primary Examiner — Mitchell I. Siegel

(74) *Attorney, Agent, or Firm* — Birch, Stewart, Kolasch & Birch, LLP

(57) **CLAIM**

The ornamental design for a golf club head, as shown and described.

DESCRIPTION

FIG. 1 is a perspective view of a golf club head showing our new design;
 FIG. 2 is a front view thereof;
 FIG. 3 is a back view thereof;
 FIG. 4 is a top view thereof;
 FIG. 5 is a bottom view thereof;
 FIG. 6 is a right view thereof;
 FIG. 7 is a left view thereof; and,
 FIG. 8 is a cross-sectional view taken on line 8-8 of FIG. 3.

1 Claim, 8 Drawing Sheets

(56) **References Cited**

U.S. PATENT DOCUMENTS

D353,644 S *	12/1994	Hirsch	D21/748
D394,290 S *	5/1998	Best	D21/748
D401,637 S *	11/1998	Best	D21/747
D469,140 S *	1/2003	Best	D21/759
D475,108 S *	5/2003	Madore	D21/759
D487,127 S *	2/2004	Madore	D21/747
D517,629 S *	3/2006	Madore	D21/759

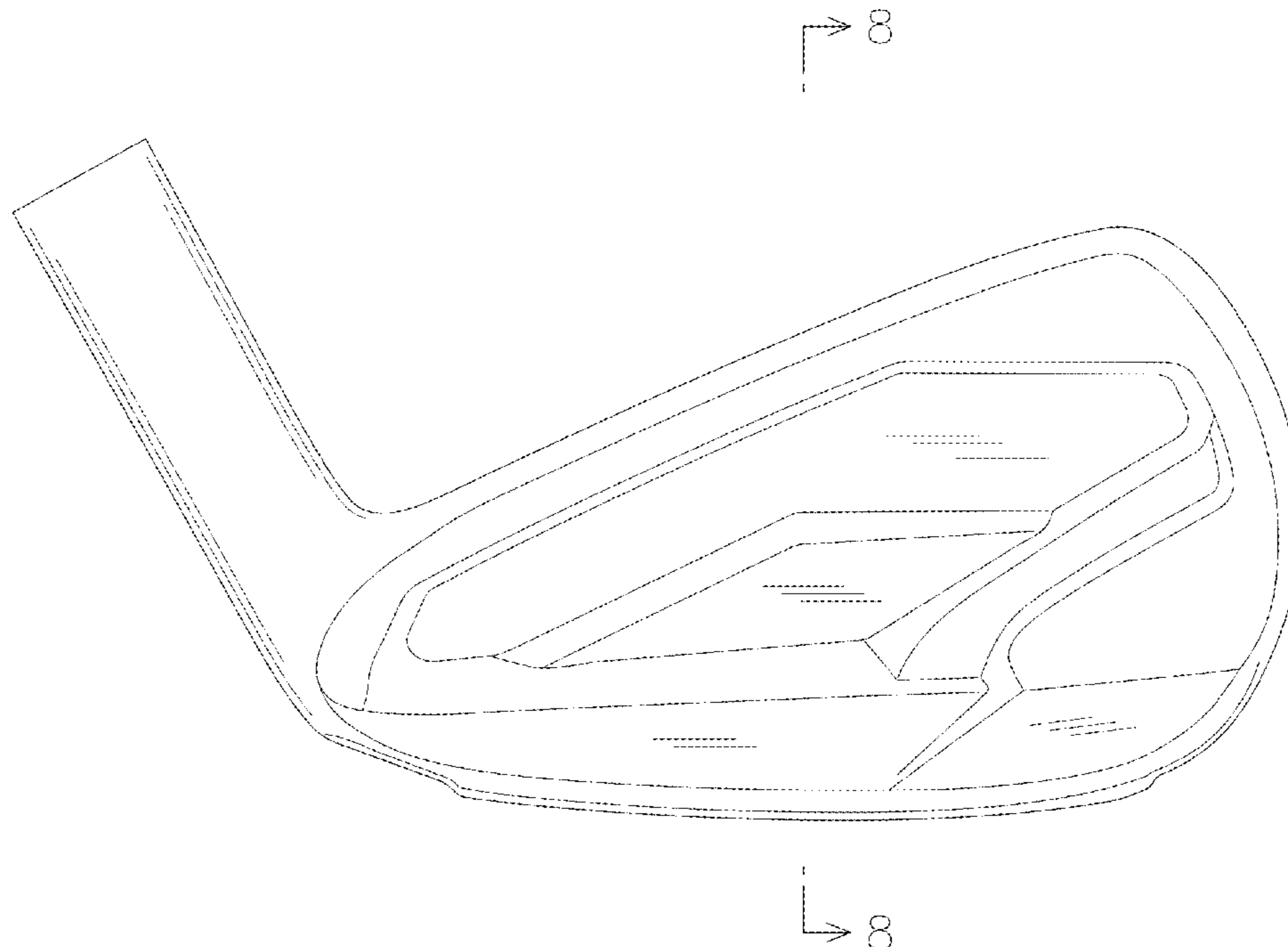


Fig. 1

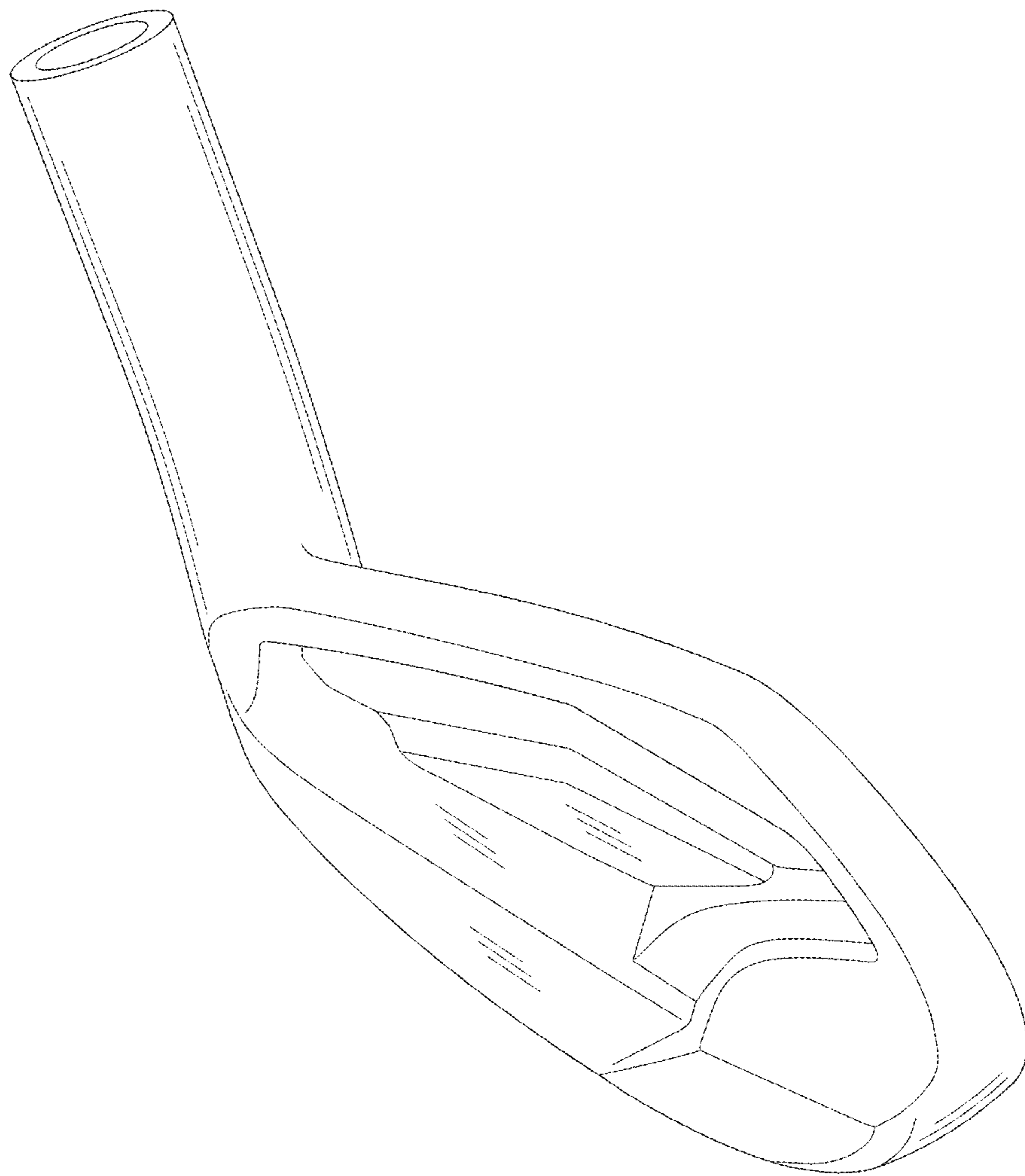


Fig. 2

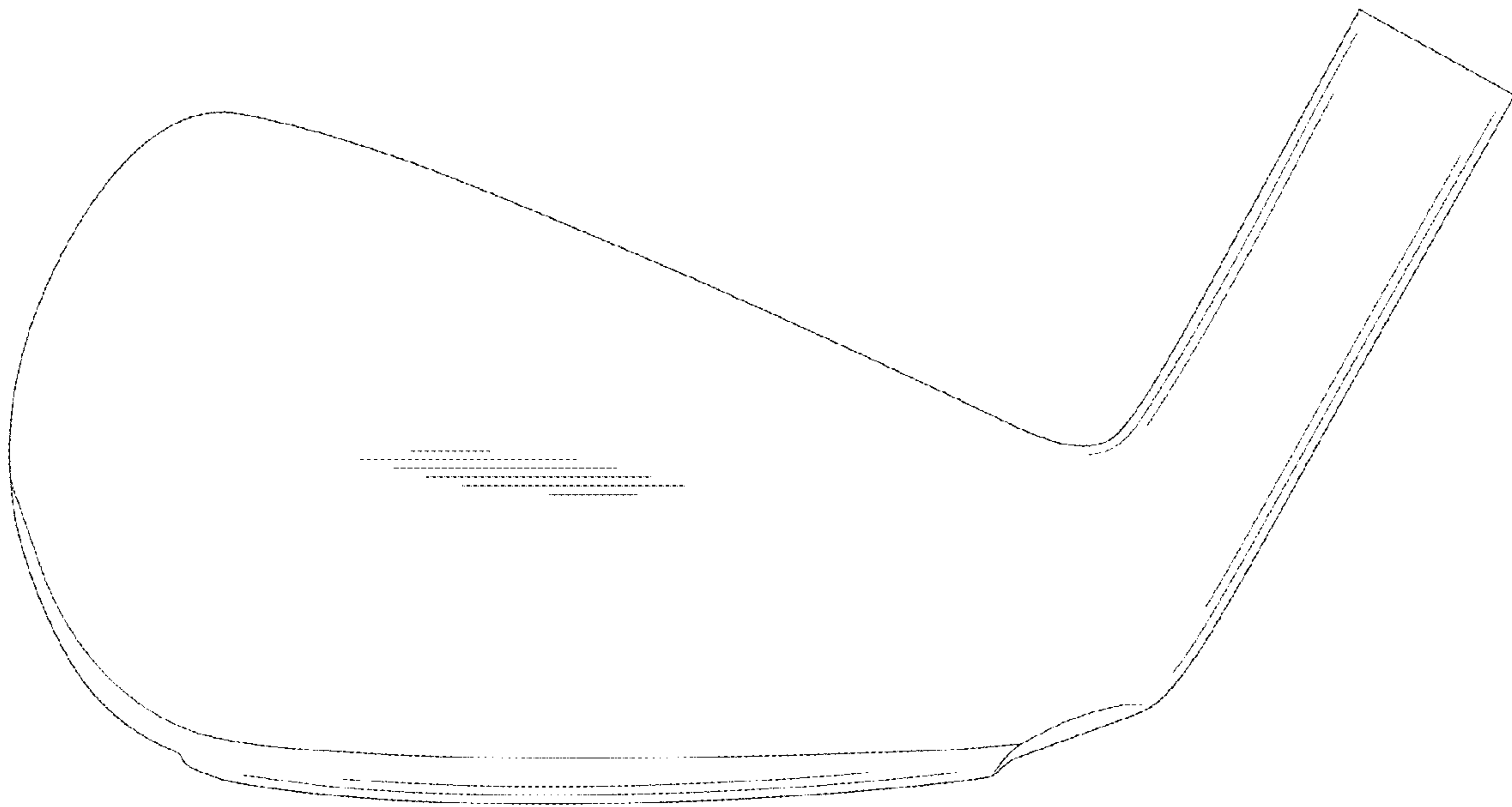


Fig. 3

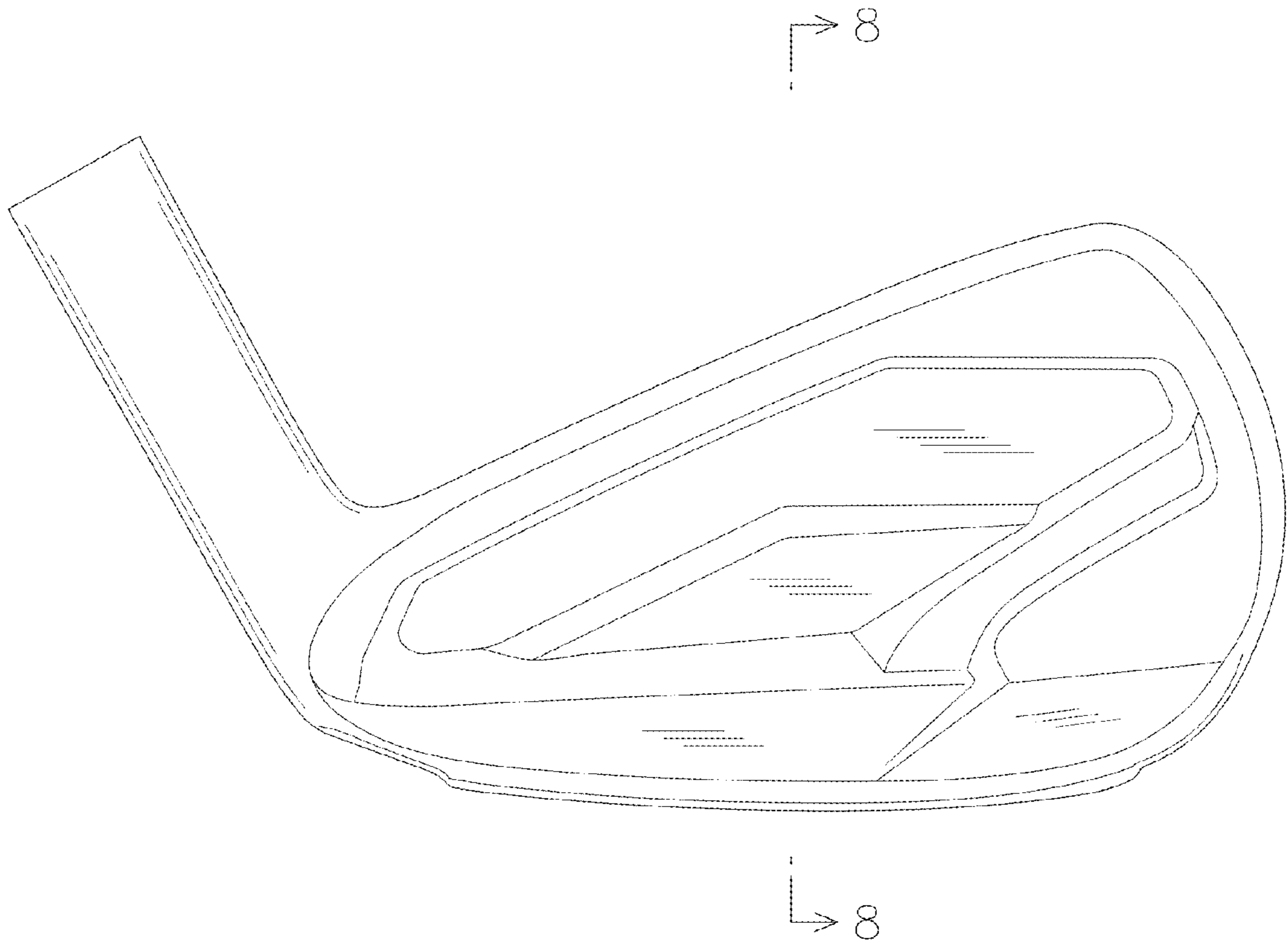


Fig. 4

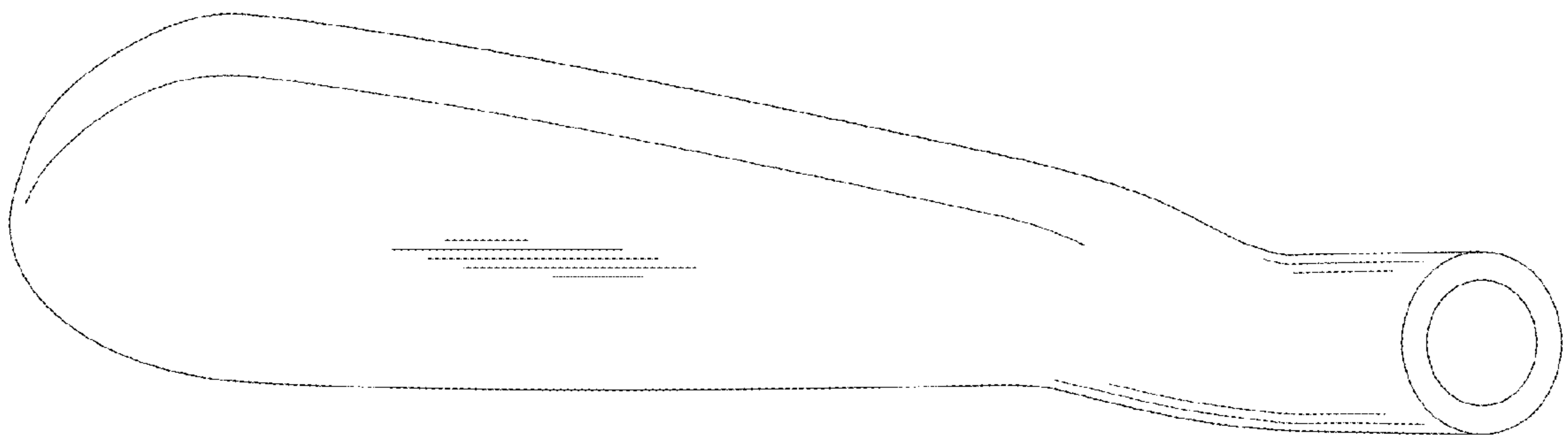


Fig. 5

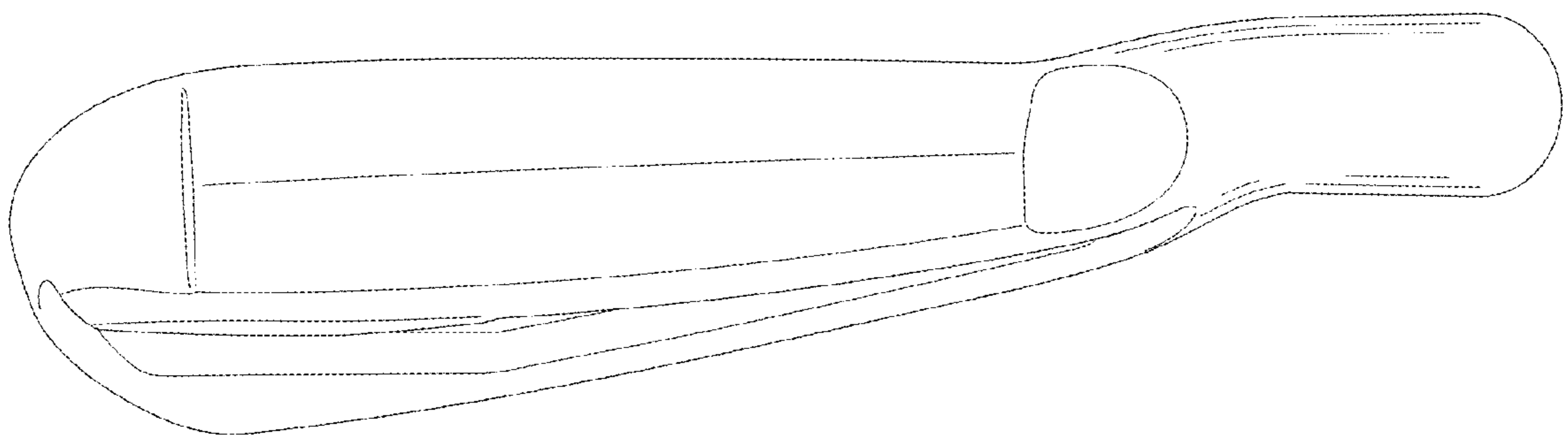


Fig. 6

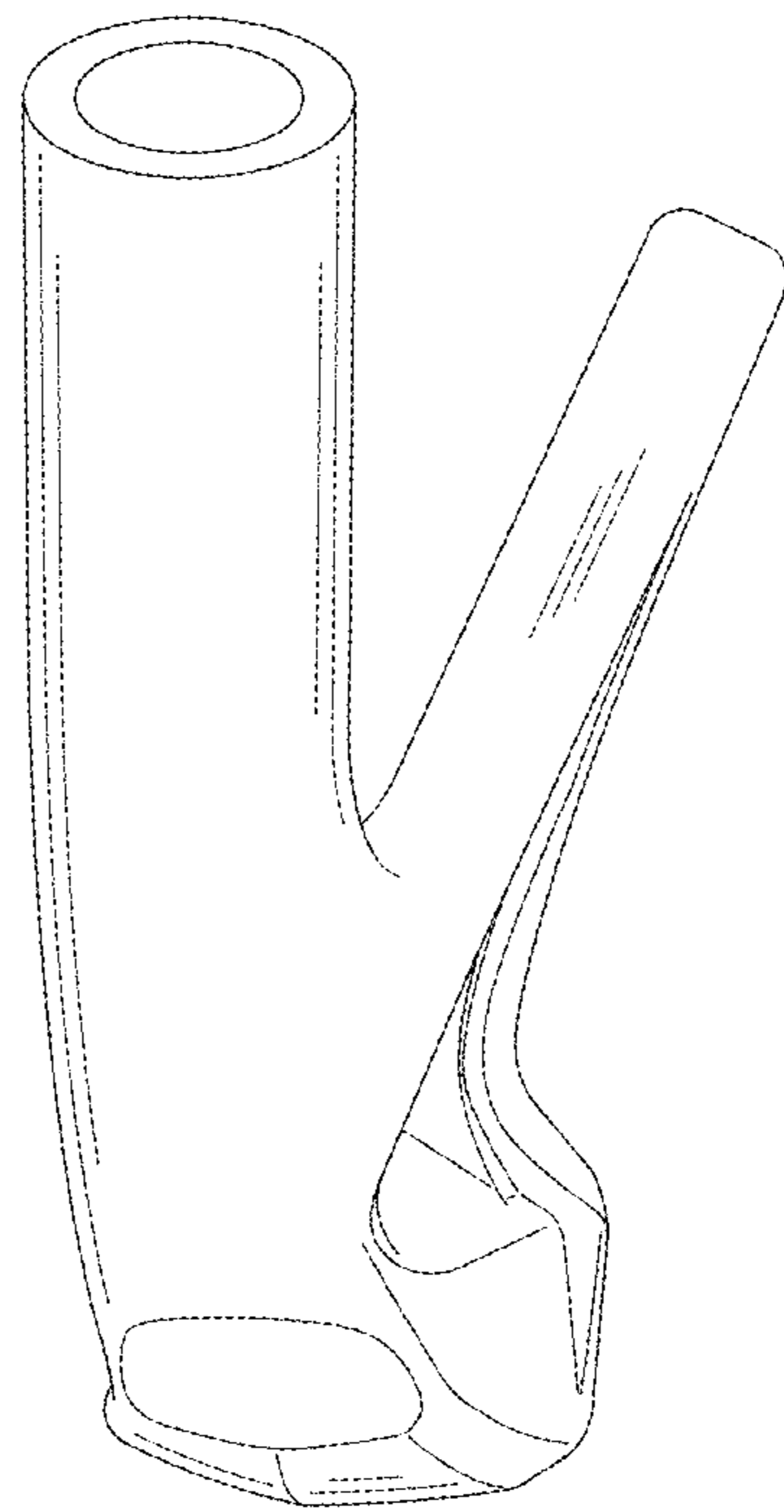


Fig. 7

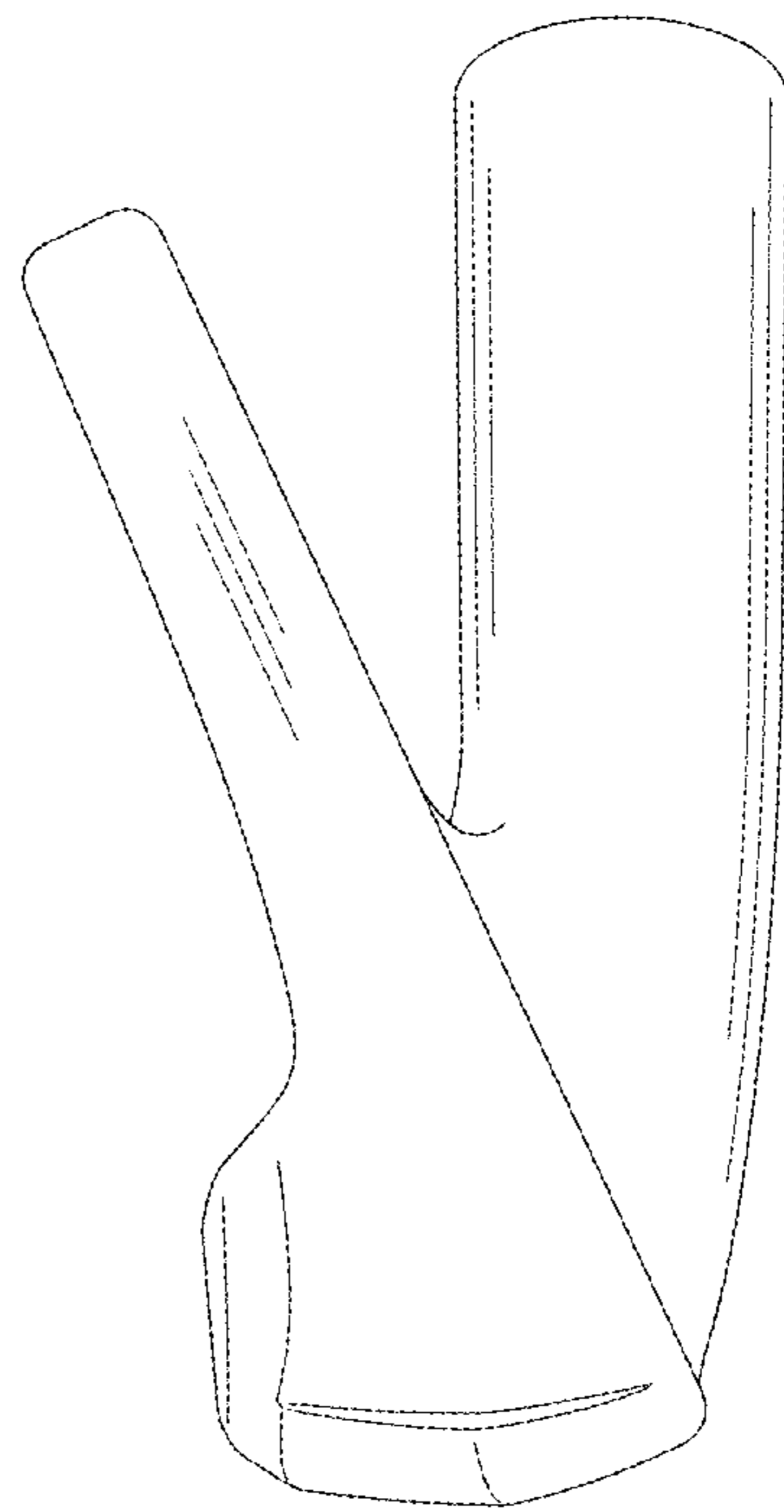


Fig. 8

