

US00D926270S

(12) **United States Design Patent**  
**Catalani**

(10) **Patent No.:** **US D926,270 S**  
(45) **Date of Patent:** **\*\* Jul. 27, 2021**

- (54) **MOBILE BARRE APPARATUS**
- (71) Applicant: **Allison Catalani**, Dallas, TX (US)
- (72) Inventor: **Allison Catalani**, Dallas, TX (US)
- (\*\*) Term: **15 Years**
- (21) Appl. No.: **29/686,297**
- (22) Filed: **Apr. 3, 2019**
- (51) **LOC (13) Cl.** ..... **21-02**
- (52) **U.S. Cl.**  
USPC ..... **D21/679**
- (58) **Field of Classification Search**  
USPC ..... D21/679, 682, 686, 694  
See application file for complete search history.

- 7,608,029 B2 10/2009 Weiss et al.
- D605,721 S \* 12/2009 Simpson ..... D21/797
- 8,628,334 B2 \* 1/2014 Kibby ..... A47D 15/003  
434/255
- 9,233,276 B1 1/2016 Foley et al.
- 9,295,866 B2 3/2016 Kwo
- D796,387 S \* 9/2017 Lee ..... D12/115
- 9,861,855 B2 1/2018 Foley et al.
- 10,010,735 B2 \* 7/2018 Kwo ..... A63B 17/04
- 10,777,092 B2 \* 9/2020 Mudarra ..... A63B 71/028
- 2009/0098987 A1 \* 4/2009 McBride ..... A63B 21/055  
482/133
- 2018/0126249 A1 5/2018 Consiglio et al.

\* cited by examiner

*Primary Examiner* — Michael C Stout  
*Assistant Examiner* — Melvin L Davis

(57) **CLAIM**

I claim the ornamental design for a mobile barre apparatus, as shown.

(56) **References Cited**

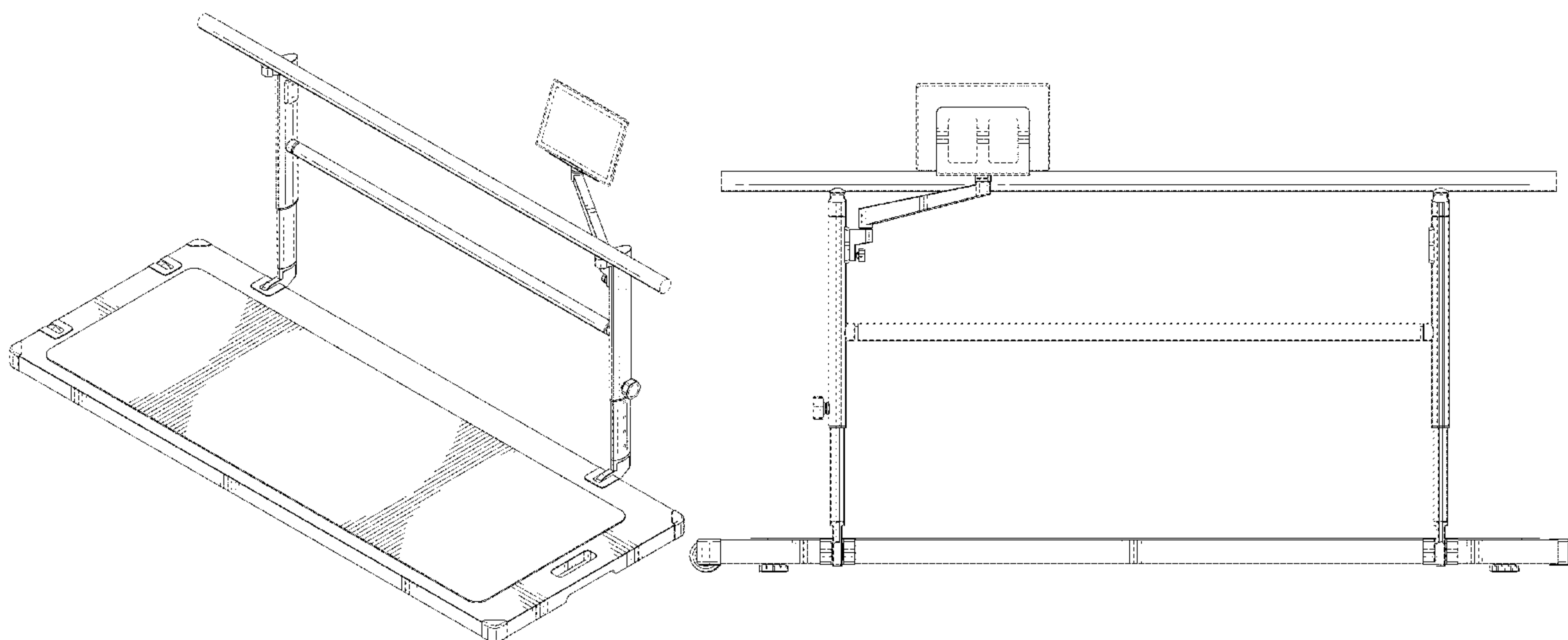
U.S. PATENT DOCUMENTS

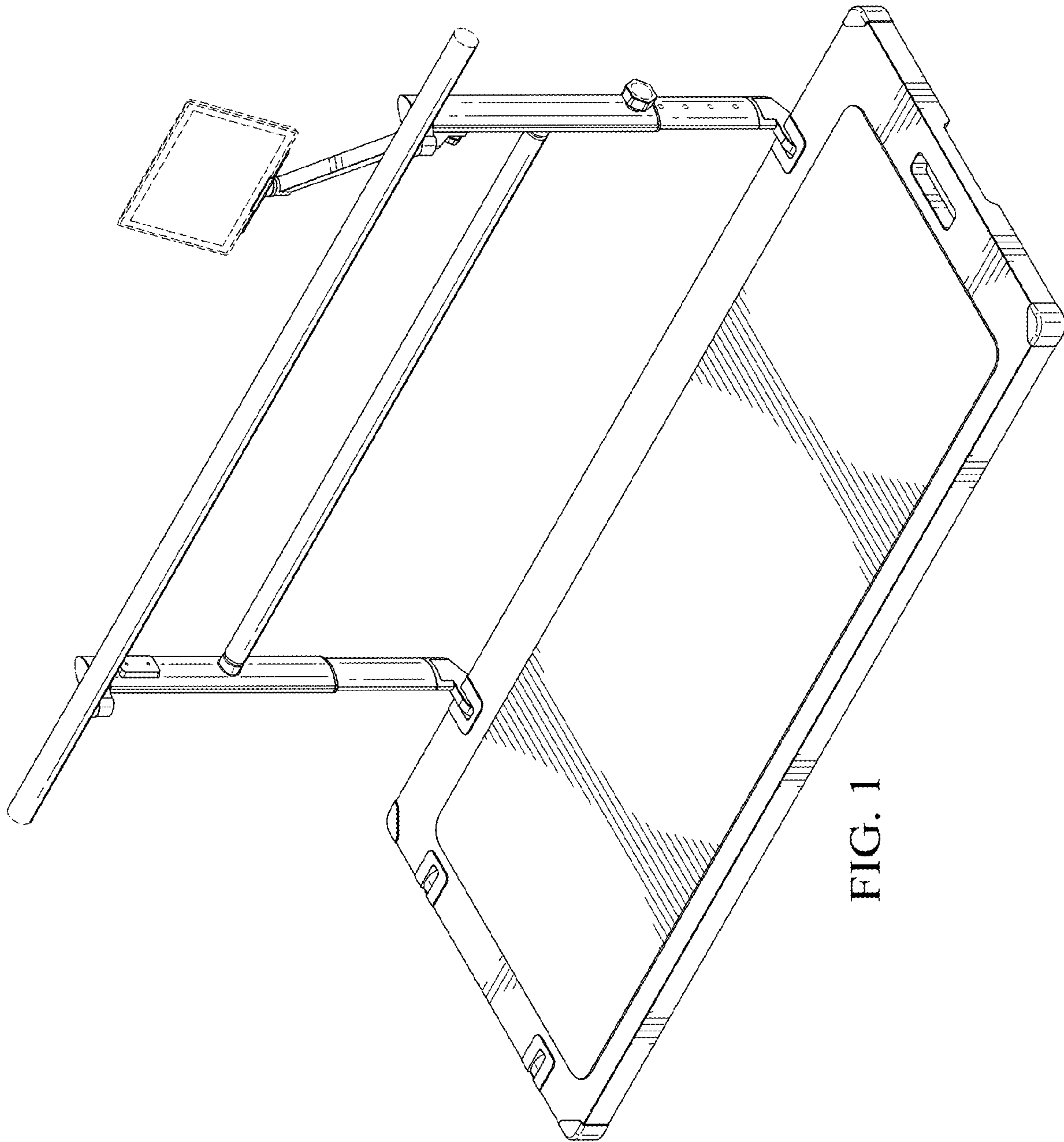
- 2,932,510 A \* 4/1960 Kravitz ..... A63B 3/00  
482/38
- D301,361 S \* 5/1989 Harlan ..... D21/691
- 4,902,000 A \* 2/1990 Starks ..... A63B 3/00  
434/255
- 5,720,697 A \* 2/1998 Winkel ..... A63B 3/00  
434/255
- D410,050 S \* 5/1999 Matte ..... D21/691
- 6,238,320 B1 \* 5/2001 Flanagan ..... A63B 3/00  
482/130
- 6,699,162 B2 \* 3/2004 Chen ..... A63B 21/4015  
482/140
- 6,743,152 B2 6/2004 Weiss
- 6,929,586 B2 \* 8/2005 Johnson ..... A63B 23/0464  
482/23

**DESCRIPTION**

FIG. 1 is a front view thereof;  
 FIG. 2 is a back view thereof;  
 FIG. 3 is a side view thereof;  
 FIG. 4 is a side view thereof, for the side opposite that of FIG. 3;  
 FIG. 5 is a top view thereof;  
 FIG. 6 is a bottom view thereof; and,  
 FIG. 7 is a perspective view thereof.  
 The broken lines shown in the drawings are only provided to illustrate the environment of the design, and form no part of the claimed design.

**1 Claim, 7 Drawing Sheets**





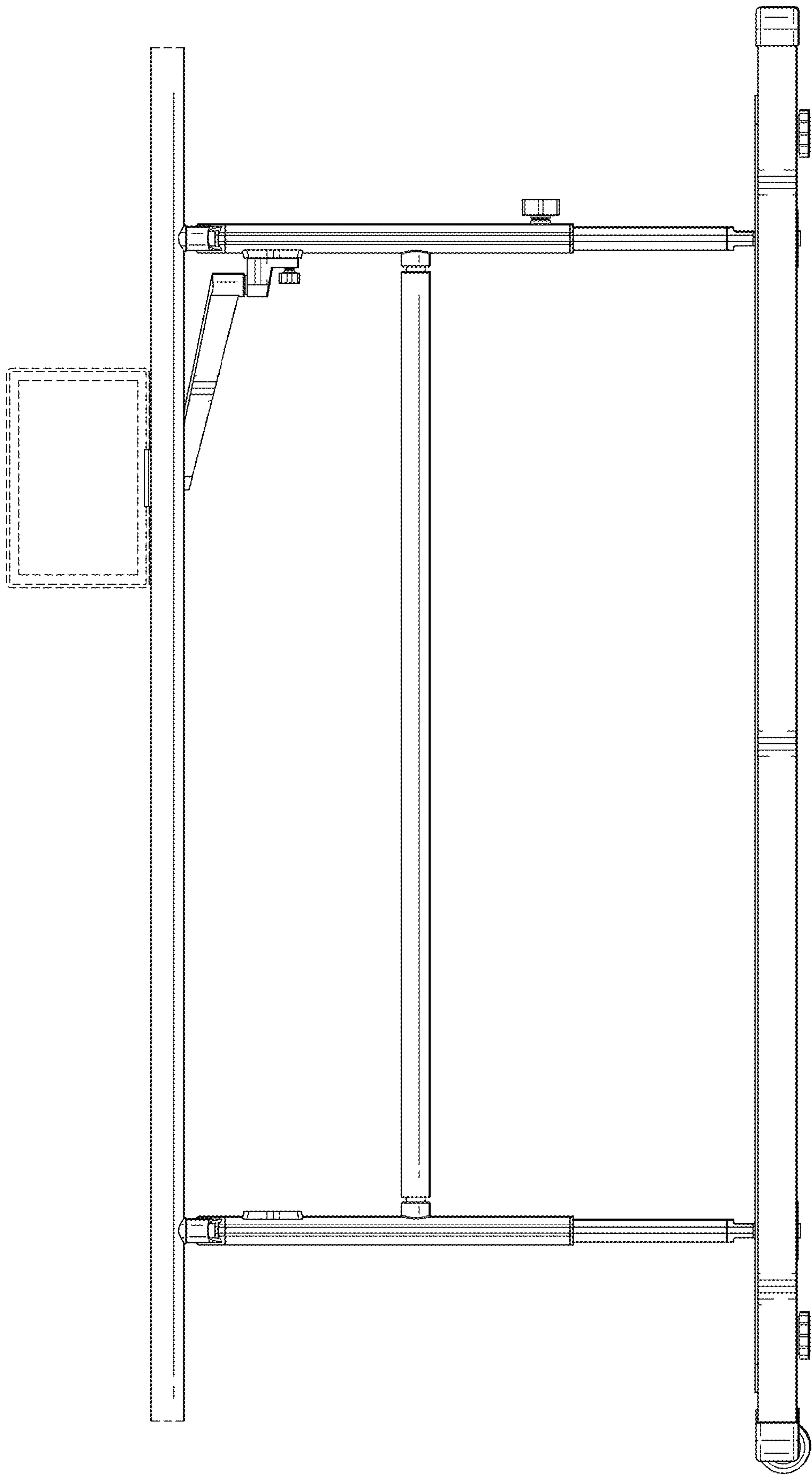


FIG. 2

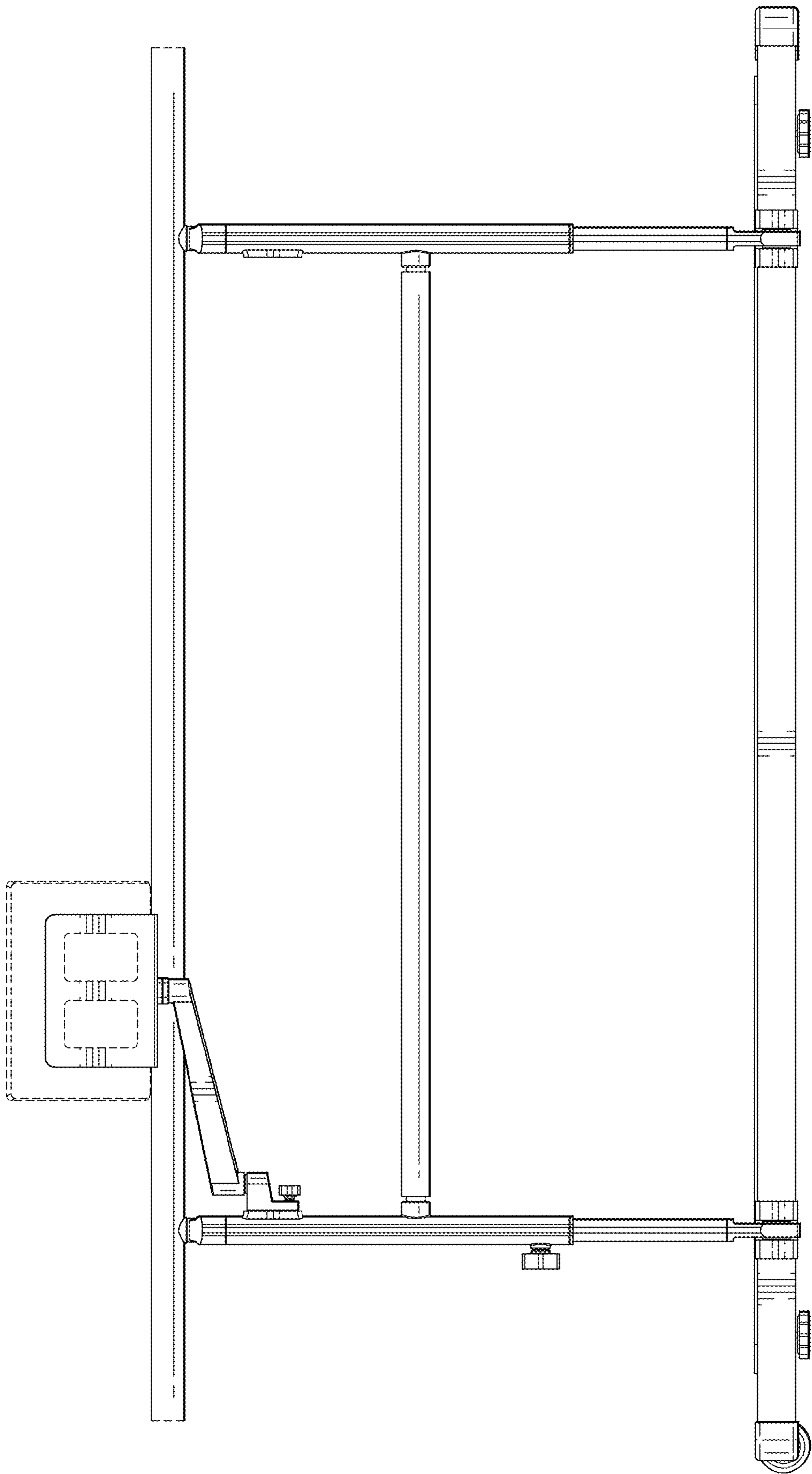


FIG. 3

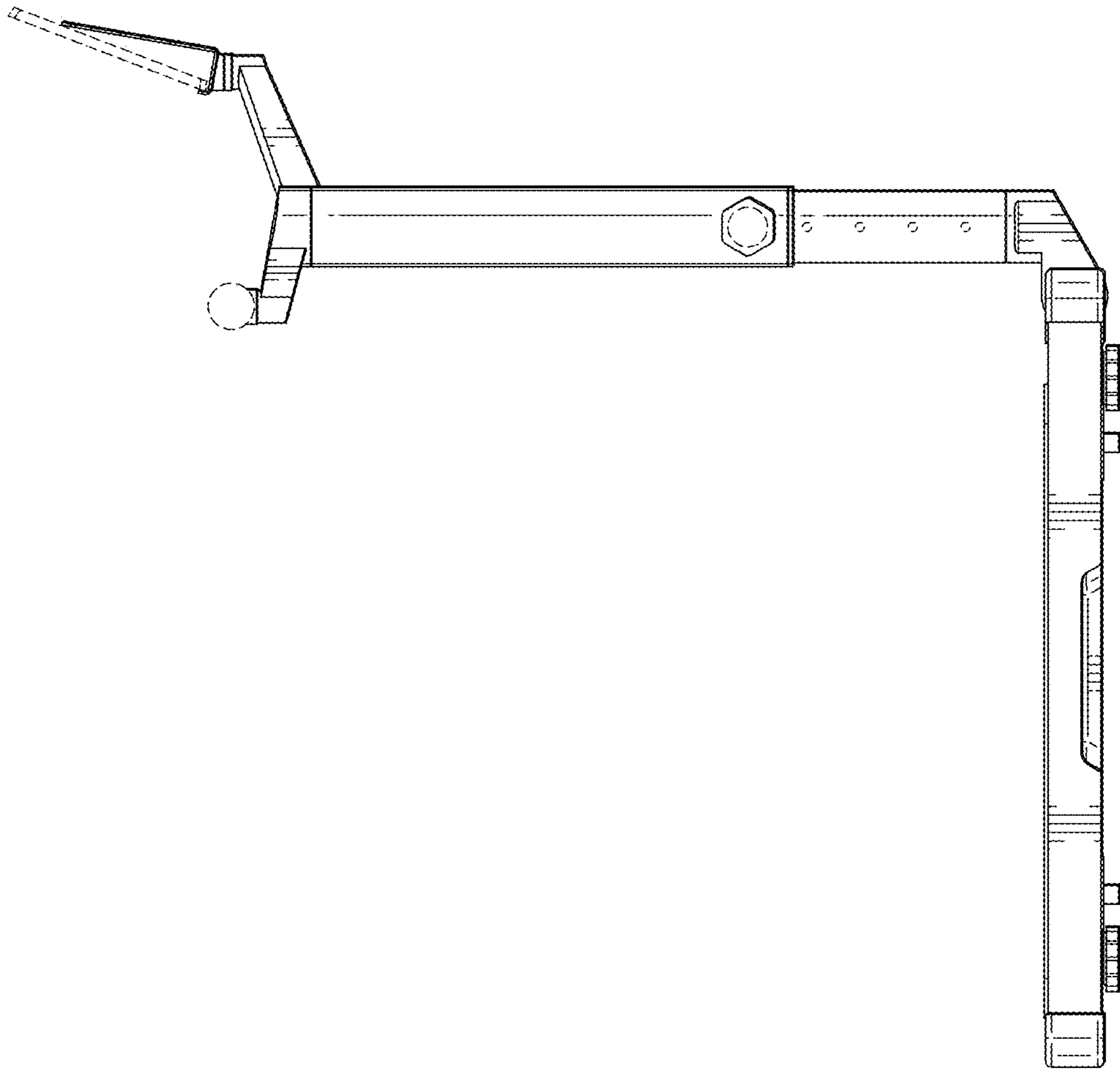


FIG. 4



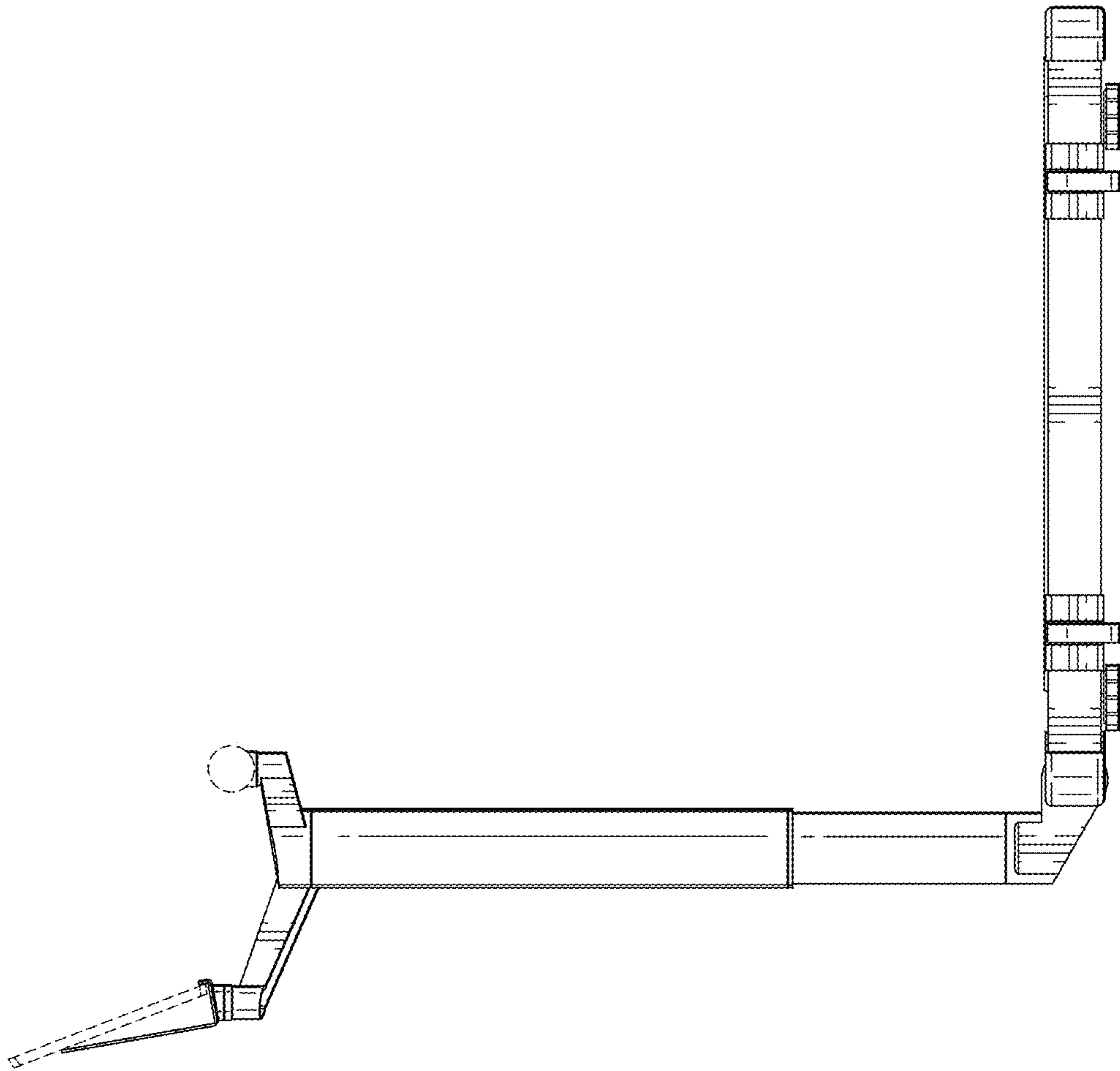


FIG. 5

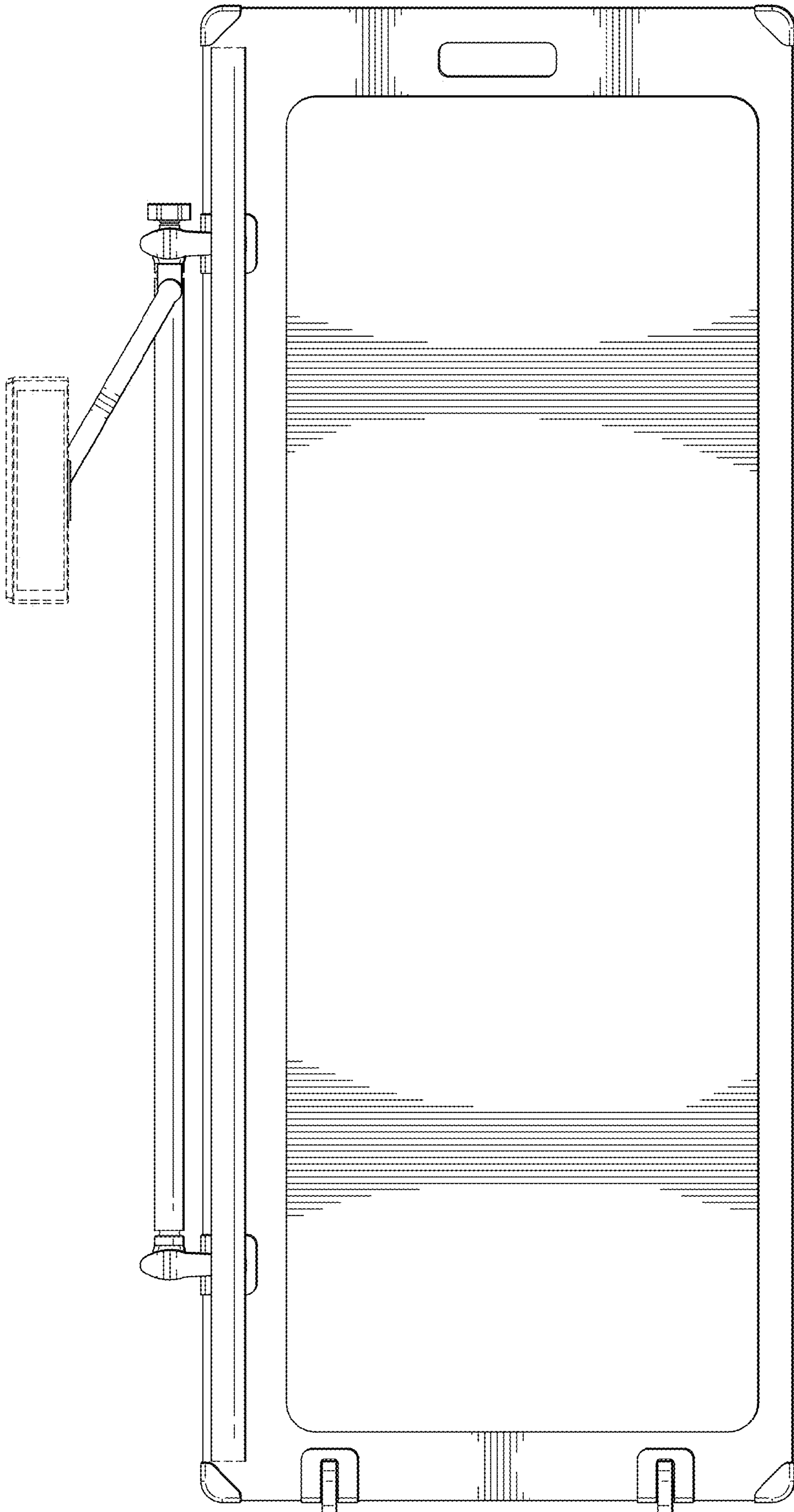


FIG. 6

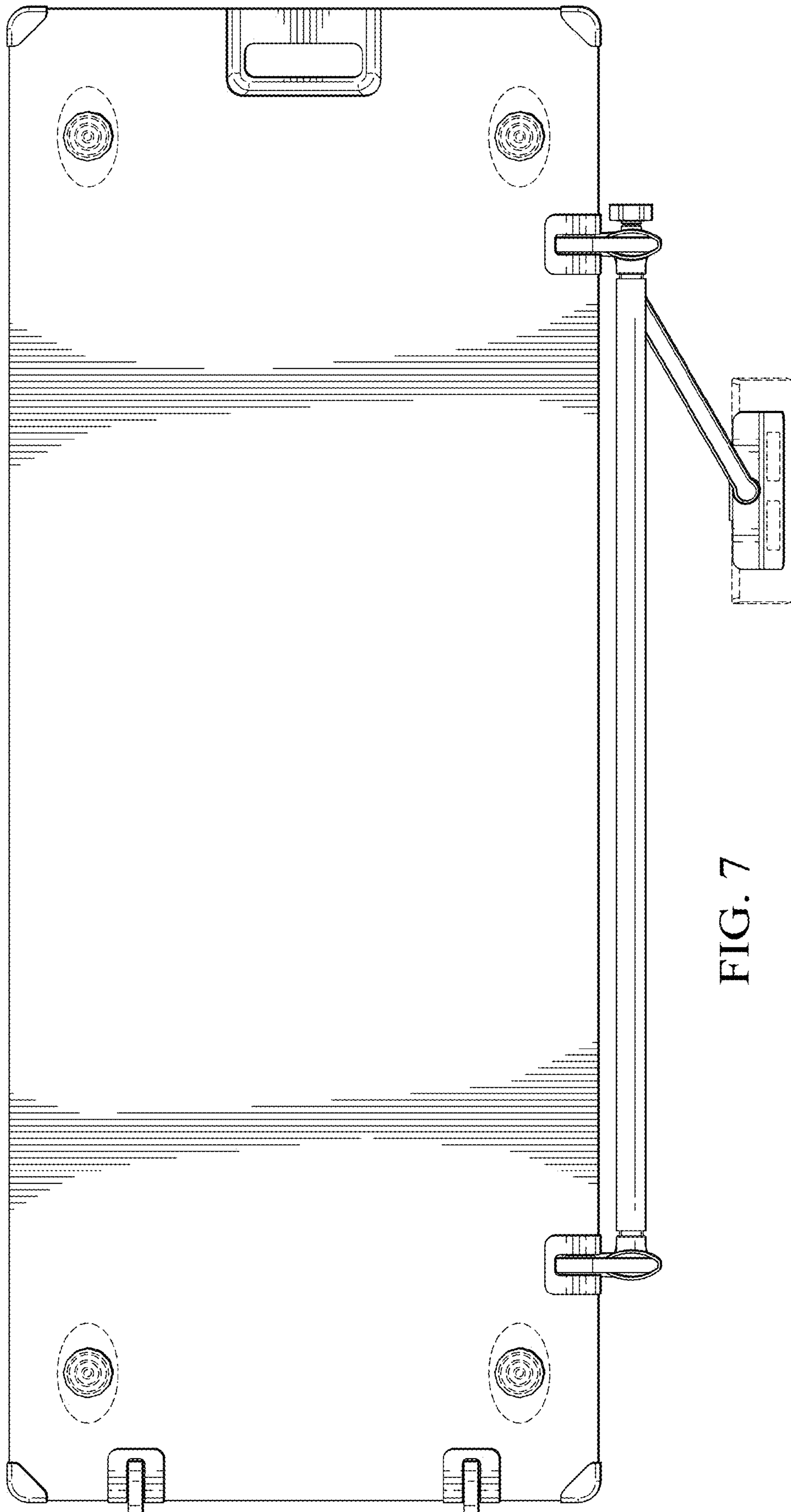


FIG. 7