



US00D926269S

(12) **United States Design Patent** (10) **Patent No.:** **US D926,269 S**  
**Chen** (45) **Date of Patent:** **\*\* Jul. 27, 2021**

(54) **TRAMPOLINE FRAME**  
(71) Applicant: **Samuel Chen**, Hong Kong (CN)  
(72) Inventor: **Samuel Chen**, Hong Kong (CN)  
(\*\*) Term: **15 Years**  
(21) Appl. No.: **29/723,445**  
(22) Filed: **Feb. 6, 2020**  
(51) **LOC (13) Cl.** ..... **21-02**  
(52) **U.S. Cl.**  
USPC ..... **D21/672**  
(58) **Field of Classification Search**  
USPC ..... D21/671, 672, 686, 797, 692, 693, 835  
CPC ..... A63B 71/00; A63B 71/022; A63B 5/11;  
A63B 71/0054; A63B 71/02  
See application file for complete search history.

2015/0051049 A1\* 2/2015 Andon ..... A63B 5/11  
482/29  
2017/0095685 A1\* 4/2017 Miller ..... A63B 71/0054  
2017/0173437 A1\* 6/2017 Chen ..... A63B 5/11  
2018/0147434 A1\* 5/2018 Ji ..... A63B 5/11  
2020/0206554 A1\* 7/2020 Wang ..... A63B 71/022  
2020/0324157 A1\* 10/2020 Wang ..... A63B 5/11  
2020/0384301 A1\* 12/2020 Zhou ..... F16B 7/1472

\* cited by examiner

*Primary Examiner* — Khawaja Anwar  
*Assistant Examiner* — Julice Seung Eun Oum  
(74) *Attorney, Agent, or Firm* — Clement Cheng

(57) **CLAIM**

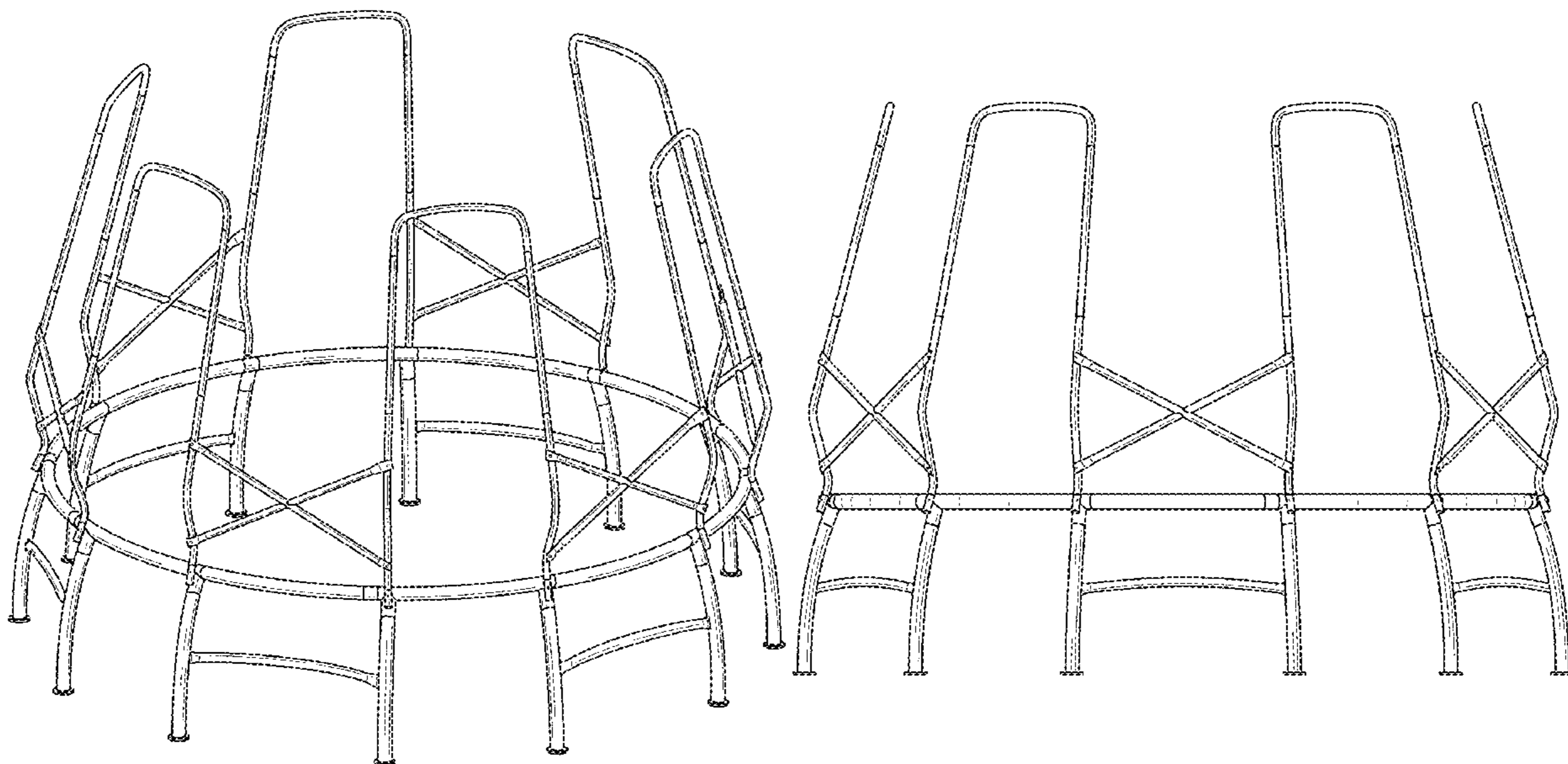
The ornamental design for a trampoline frame, as shown and described.

**DESCRIPTION**

FIG. 1 is a perspective view.  
FIG. 2 is a top view.  
FIG. 3 is a bottom view.  
FIG. 4 is a front view.  
FIG. 5 is a rear view.  
FIG. 6 is a left side view.  
FIG. 7 is a right side view.  
FIG. 8 is a bottom right perspective view; and,  
FIG. 9 is top right perspective view.

(56) **References Cited**  
U.S. PATENT DOCUMENTS  
D684,233 S \* 6/2013 Yang ..... D21/797  
D794,151 S \* 8/2017 Ji ..... D21/797  
D803,338 S \* 11/2017 Hsiang ..... D21/797  
D817,434 S \* 5/2018 Hsiang ..... D21/797  
D843,537 S \* 3/2019 Chen ..... D21/797  
D849,864 S \* 5/2019 Hsiang ..... D21/797  
2014/0080674 A1\* 3/2014 Chen ..... A63G 9/14  
482/29  
2014/0228176 A1\* 8/2014 Miller ..... A63B 21/026  
482/27

**1 Claim, 9 Drawing Sheets**



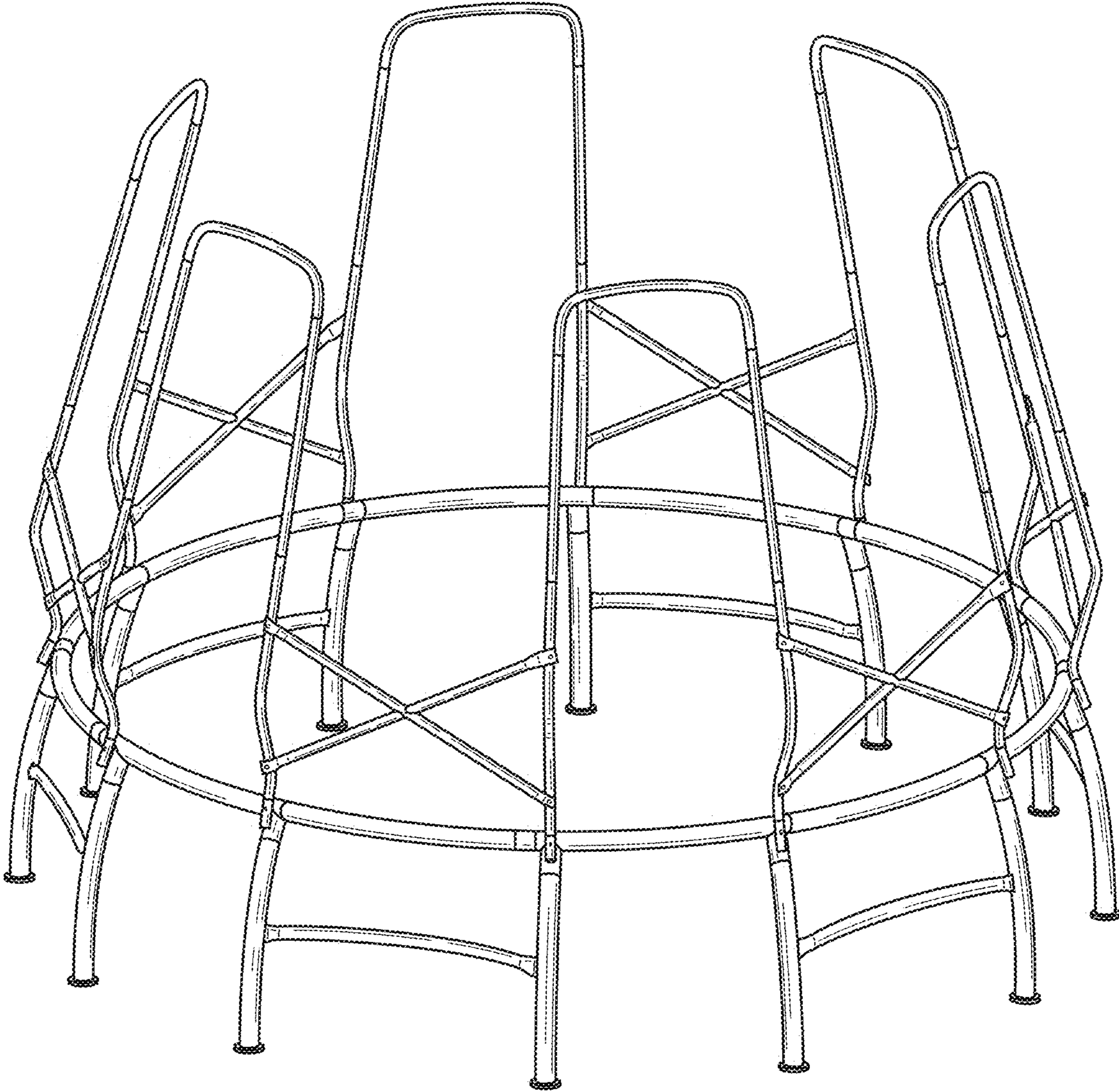


Fig. 1

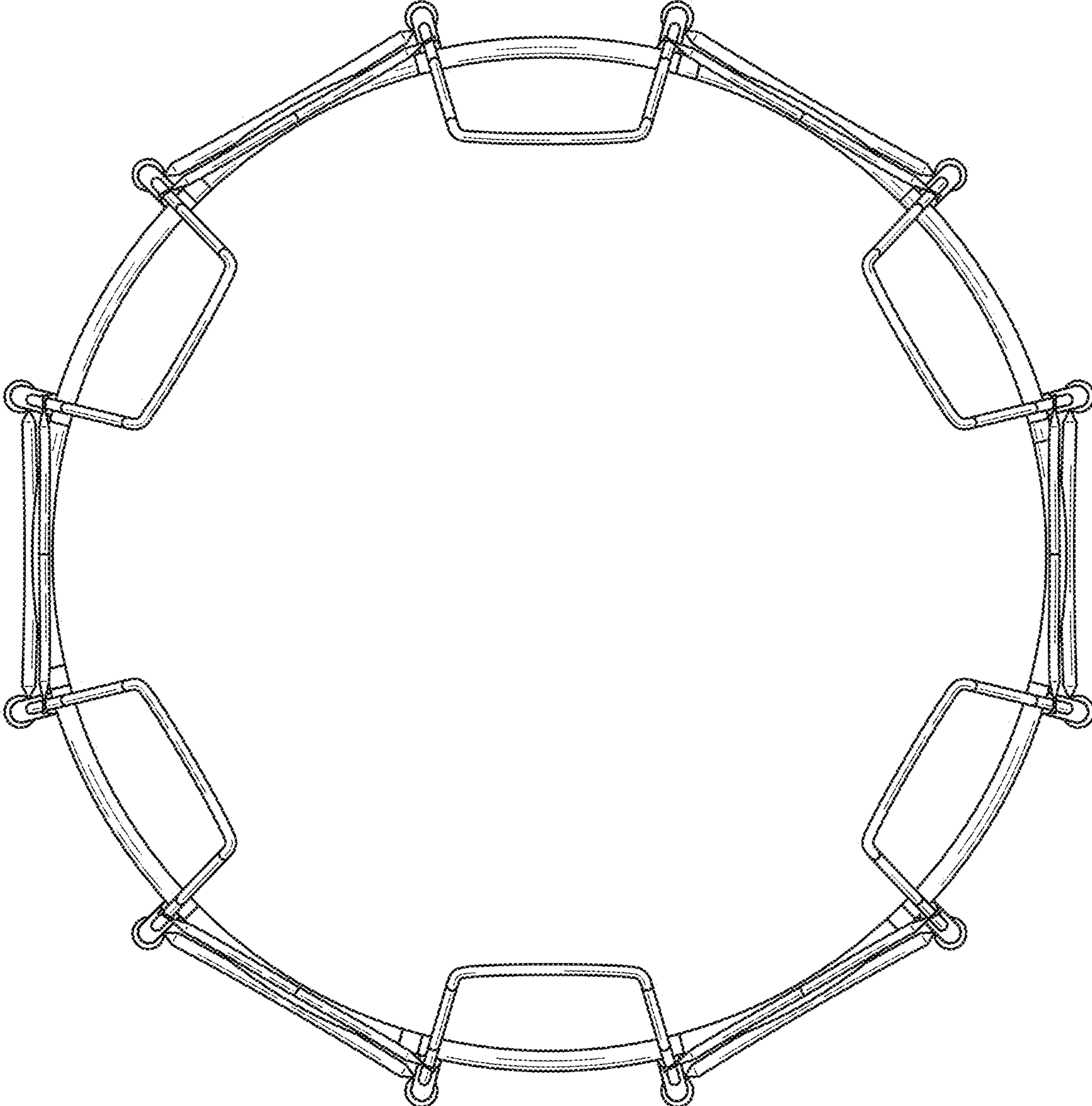


Fig. 2



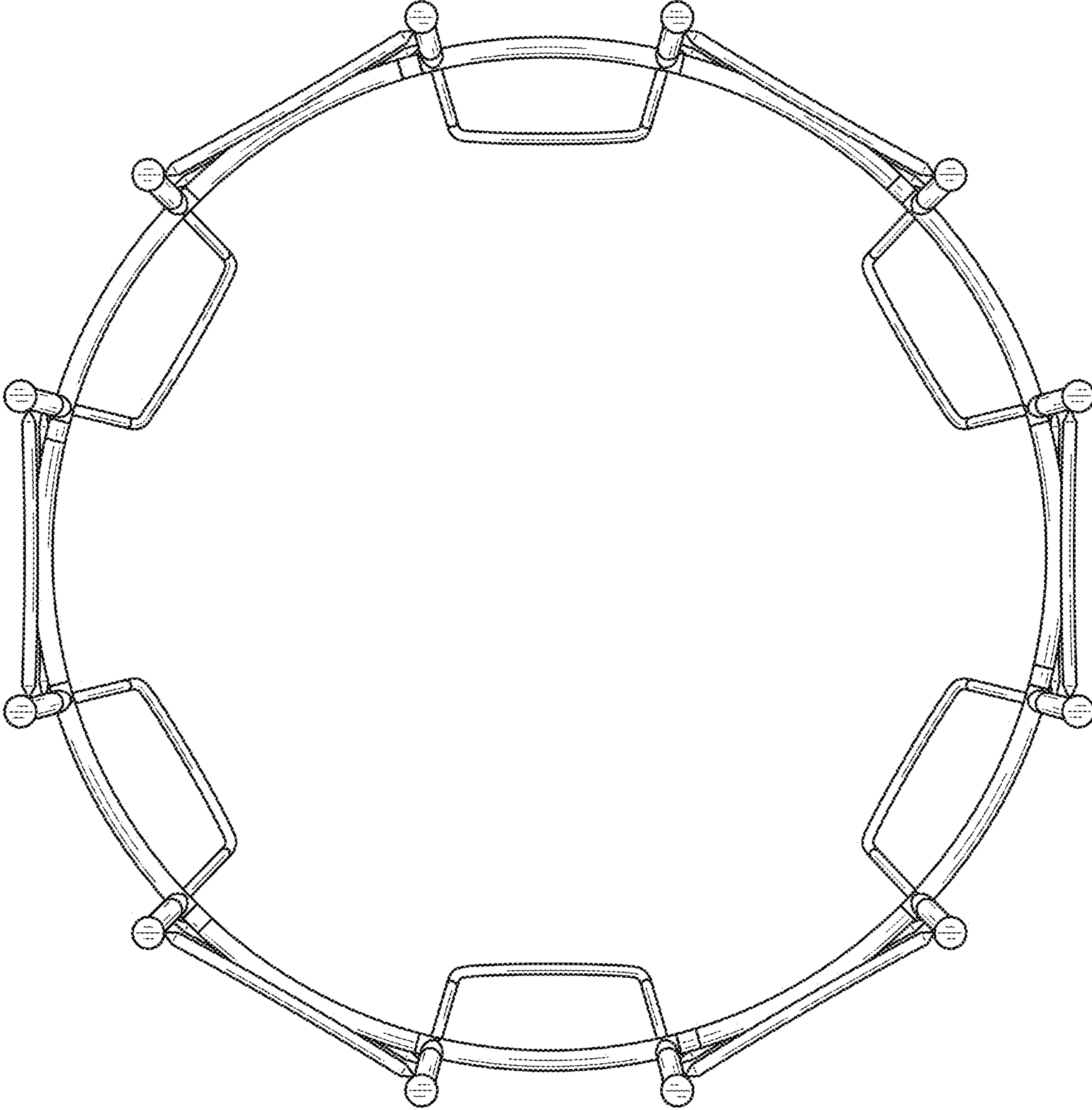


Fig. 3

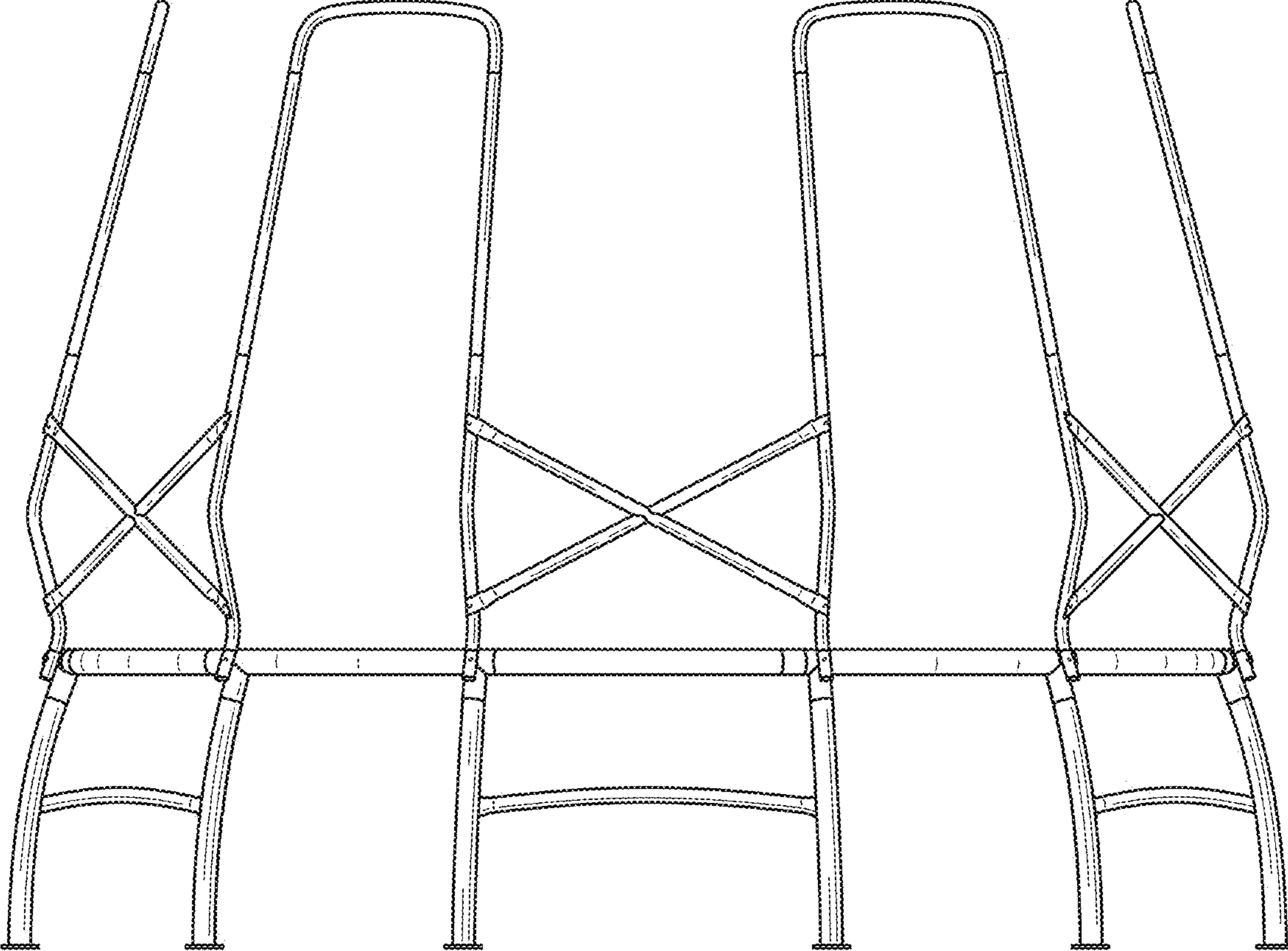


Fig. 4

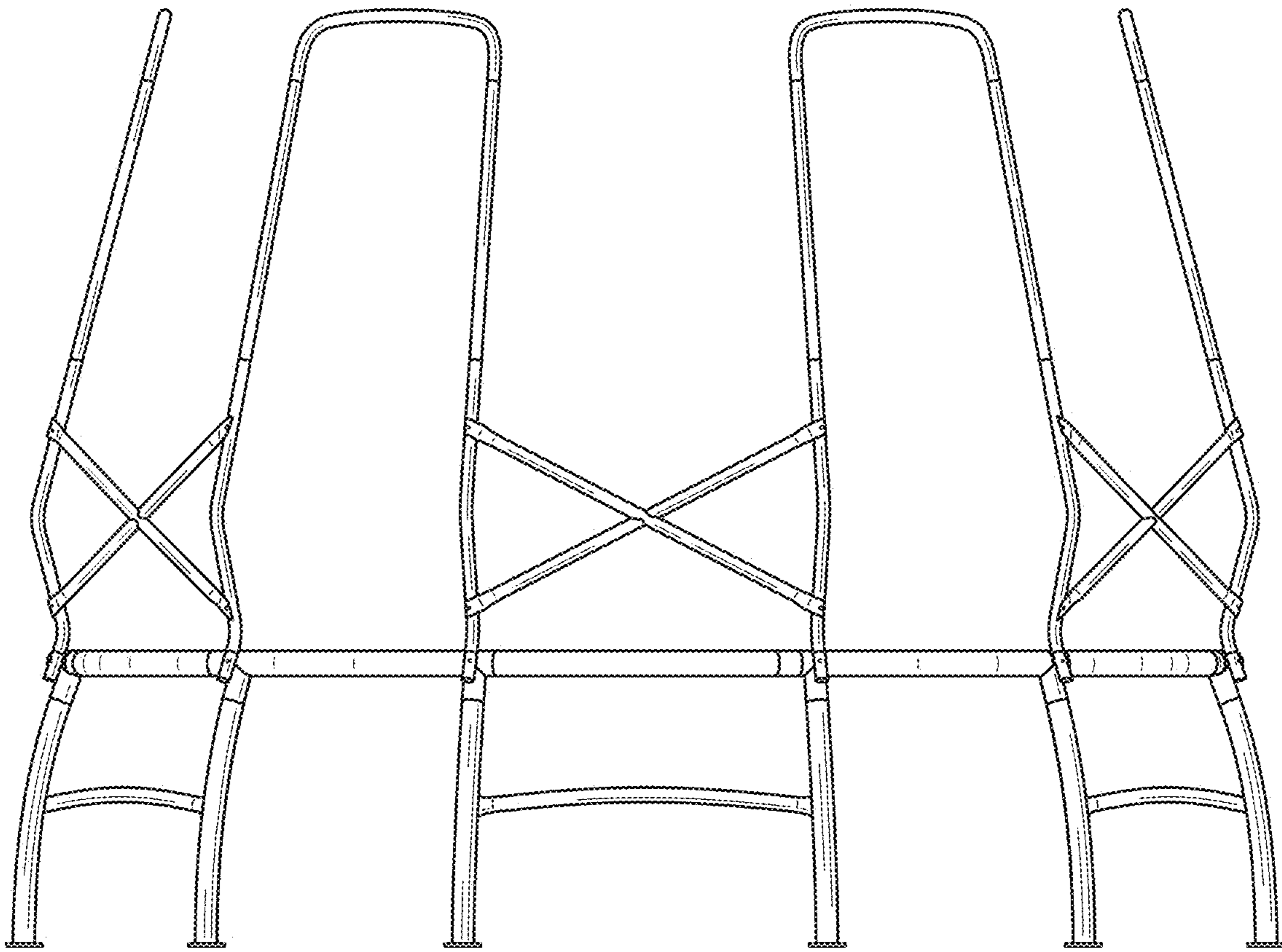


Fig. 5

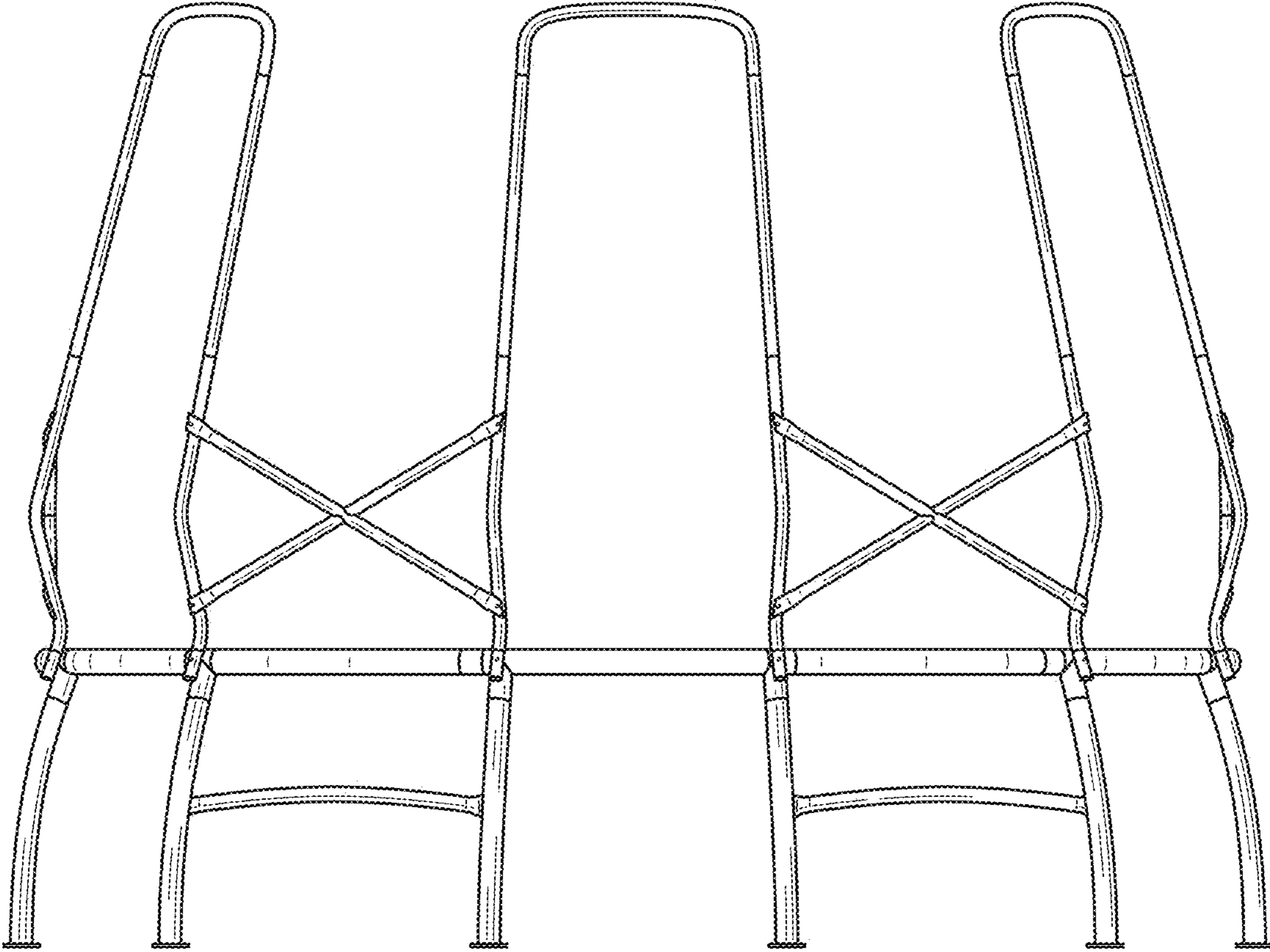


Fig. 6

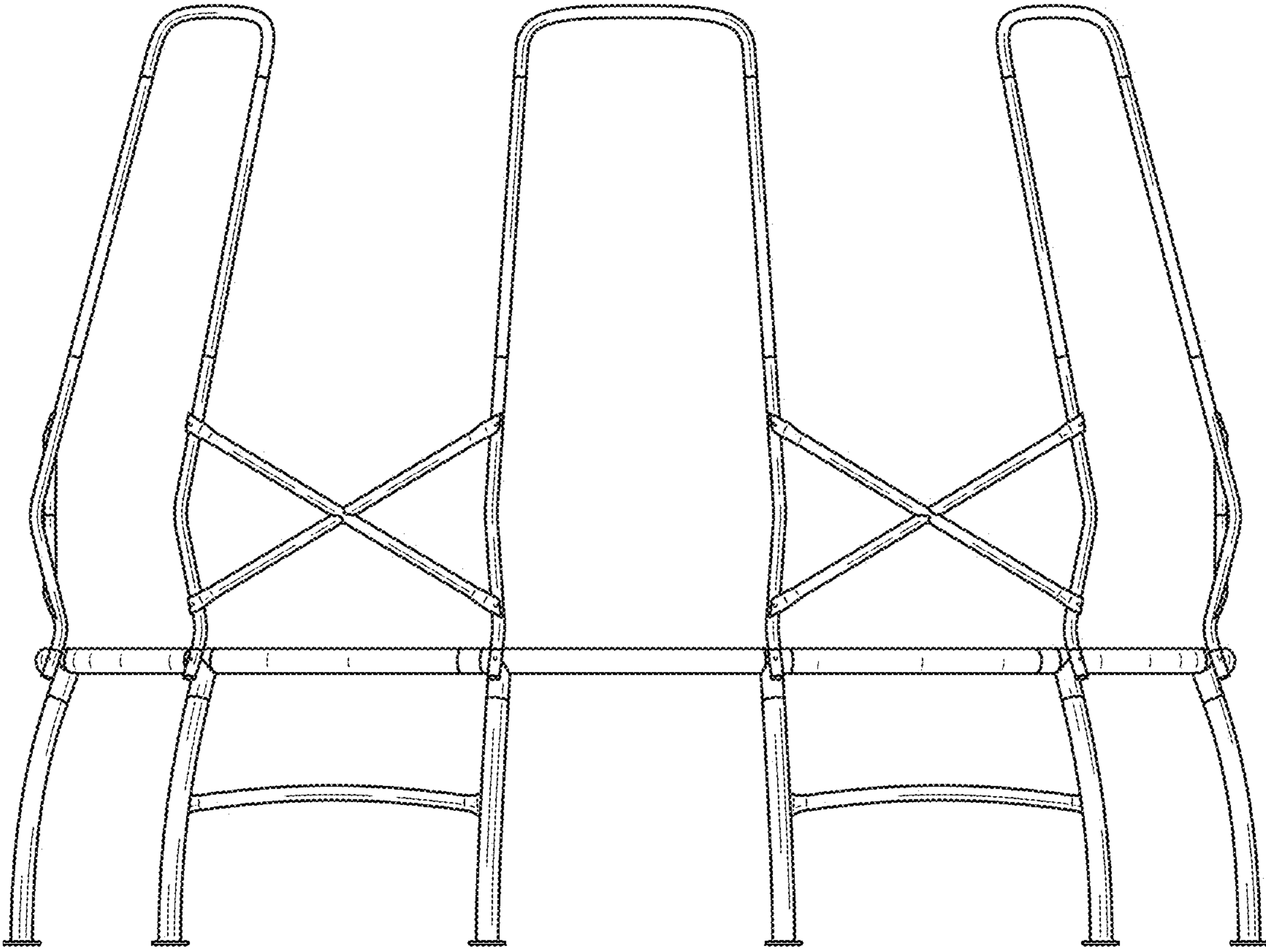


Fig. 7



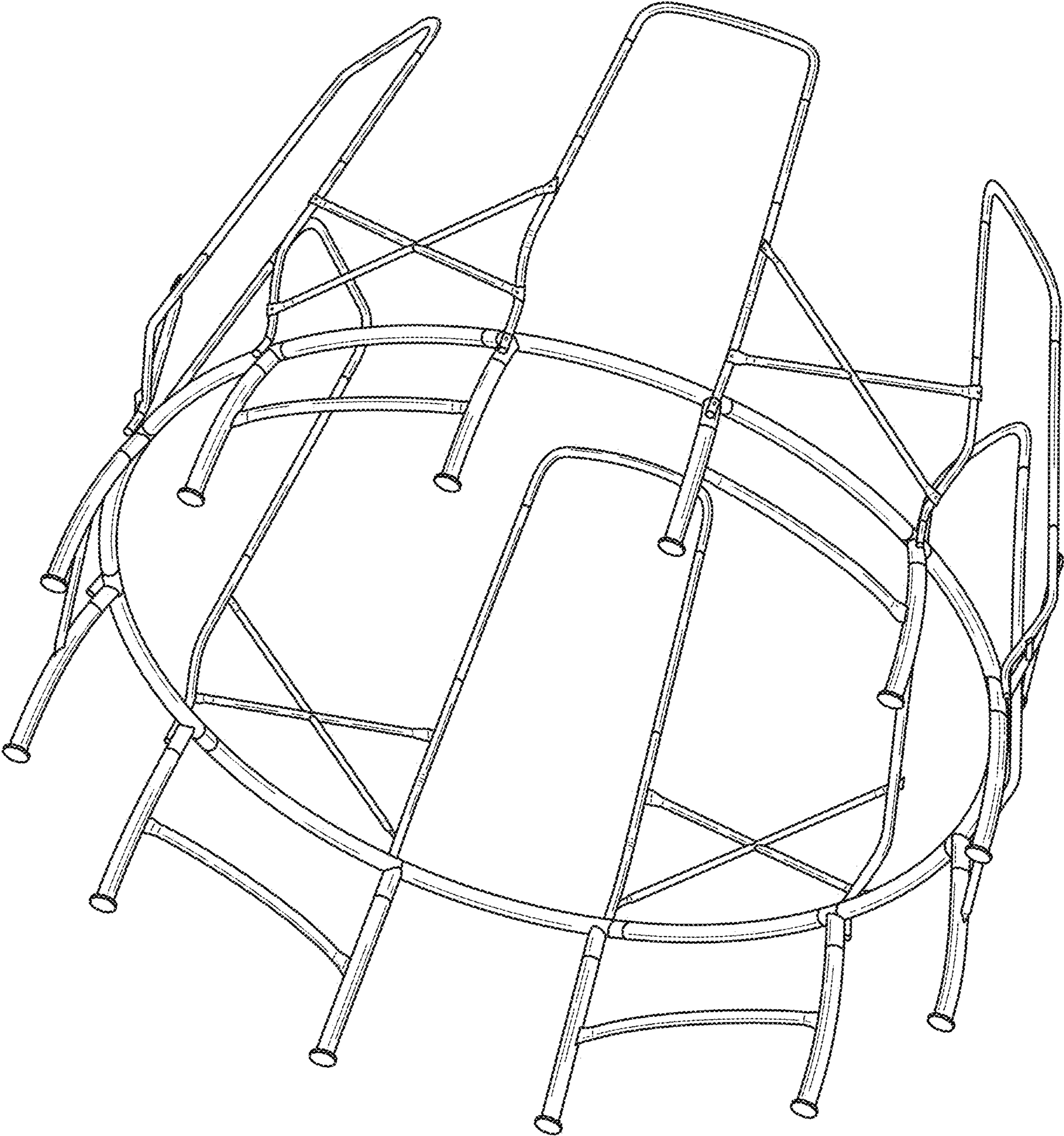


Fig. 8

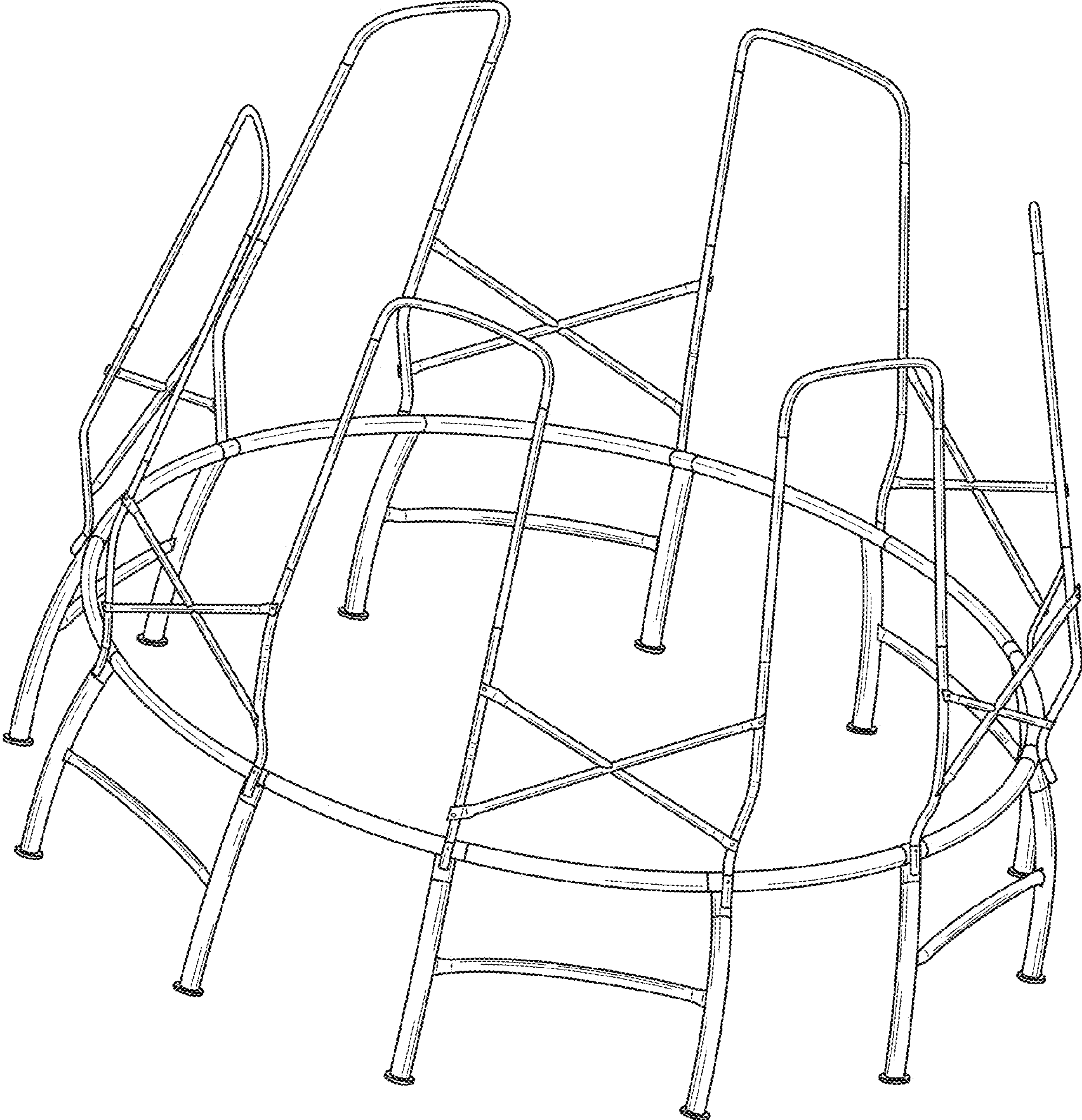


Fig. 9