



US00D926265S

(12) **United States Design Patent** (10) **Patent No.:** **US D926,265 S**  
**Ewing et al.** (45) **Date of Patent:** **\*\* Jul. 27, 2021**

(54) **WHEEL FOR A MODEL VEHICLE**

FOREIGN PATENT DOCUMENTS

(71) Applicant: **TRAXXAS LP**, McKinney, TX (US)

TW D114104 S 12/2006  
TW D141989 S 8/2011  
TW D143556 S 11/2011

(72) Inventors: **Adam Cole Ewing**, McKinney, TX (US); **Jory Sprowl**, Honey Grove, TX (US); **Kent Poteet**, Lucas, TX (US); **Otto Karl Allmendinger**, Rowlett, TX (US)

OTHER PUBLICATIONS

KMD XD Series XD228 Machete Desert Beadlock Machined Custom Wheels Rims; <http://www.customwheelsexpress.com/custom-wheels-by-brand-xd-series-by-kmc-kmc-xd-series-xd228-machete-desert-beadlock-machined-custom-wheels-rims-p-2930.html>; Aug. 2016.

(73) Assignee: **TRAXXAS LP**, McKinney, TX (US)

(\*\*) Term: **15 Years**

(Continued)

(21) Appl. No.: **29/726,731**

*Primary Examiner* — Cynthia M. Chin

(22) Filed: **Mar. 5, 2020**

(74) *Attorney, Agent, or Firm* — Daryl R. Wright; Greg Carr

(51) **LOC (13) Cl.** ..... **21-01**

(57) **CLAIM**

(52) **U.S. Cl.**

We claim the ornamental design for a wheel for a model vehicle, as shown and described.

USPC ..... **D21/563**

(58) **Field of Classification Search**

**DESCRIPTION**

USPC ..... D21/533, 548–561, 563; D12/208, 209, D12/211, 213

CPC ..... A63H 17/262; B60B 21/00; B60B 5/00; B60B 5/02

See application file for complete search history.

FIG. 1 is an upper, left, rear perspective view of a wheel for a model vehicle showing our new design; FIG. 2 is a rear plan view thereof; FIG. 3 is a right side elevation view thereof; FIG. 4 is a left side elevation view thereof; FIG. 5 is an upper plan view thereof; FIG. 6 is an upper, right, rear perspective view thereof; and, FIG. 7 is an upper, left, rear perspective environmental use view of the wheel for a model vehicle.

(56) **References Cited**

U.S. PATENT DOCUMENTS

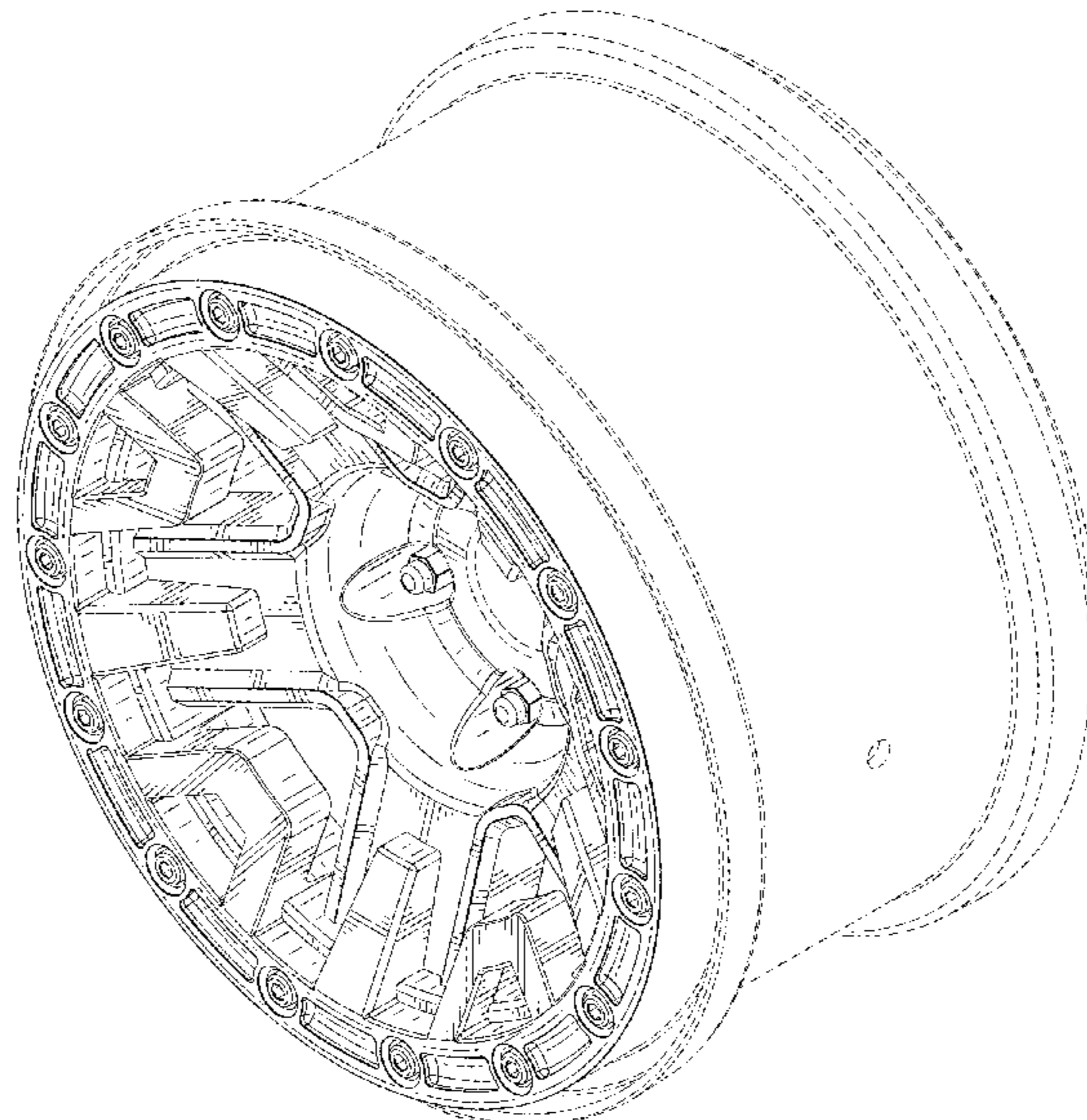
D316,731 S 5/1991 Tsuchiya  
D420,637 S 2/2000 Glade  
D444,118 S 6/2001 Chung  
D466,067 S 11/2002 Muzzarelli  
D469,728 S 2/2003 Kataoka  
D470,449 S 2/2003 Bernoni  
D481,982 S 11/2003 Takechi  
D492,234 S 6/2004 Kataoka  
D499,683 S 12/2004 Kushartanto  
D500,006 S 12/2004 Cahyono

In the drawings, the broken lines illustrate portions of the wheel for a model vehicle that form no part of the claimed design; whereas, the additional broken lines in the environmental use drawing also form no part of the claimed design and are provided for the purposes of illustrating environmental use, structure, and context.

The front plan view and lower plan view are mirror images of the corresponding rear plan view and upper plan view.

(Continued)

**1 Claim, 7 Drawing Sheets**



(56)

References Cited

U.S. PATENT DOCUMENTS

D504,650 S 5/2005 Ishiwata  
 D513,218 S 12/2005 Fitzgerald  
 D524,216 S 7/2006 Scheu  
 D530,757 S 10/2006 Jones  
 D534,968 S 1/2007 Proch  
 D536,293 S 2/2007 Brouillette et al.  
 D539,203 S 3/2007 Danbom et al.  
 D543,493 S 5/2007 Kim  
 D546,264 S 7/2007 Young  
 D569,778 S 5/2008 Kim  
 D570,758 S 6/2008 Bhambra  
 D579,398 S 10/2008 Kim  
 D583,292 S 12/2008 Chung  
 D587,181 S 2/2009 Musser  
 D590,322 S 4/2009 Rak  
 D597,012 S 7/2009 Chung  
 D603,778 S 11/2009 Chung  
 D614,108 S 4/2010 Varga  
 D617,722 S 6/2010 Zhao  
 D619,072 S 7/2010 Gallert  
 D620,864 S 8/2010 Groom  
 D627,698 S 11/2010 Zhang  
 D628,135 S 11/2010 Zhao  
 D633,028 S 2/2011 Kim  
 D636,319 S 4/2011 Toth  
 D639,220 S 6/2011 Zhao  
 D662,868 S 7/2012 Furst et al.  
 D663,668 S 7/2012 Pollmann  
 D670,227 S 11/2012 Chung  
 D671,875 S 12/2012 Camacho et al.  
 D688,188 S 8/2013 Baum  
 D697,008 S 1/2014 Juergens et al.  
 D697,010 S 1/2014 Lorinser  
 D719,893 S 12/2014 Kim  
 D725,567 S 3/2015 George et al.  
 D727,822 S 4/2015 Wheel  
 D727,829 S 4/2015 Chung  
 D729,721 S 5/2015 Fahr-Becker  
 D730,799 S 6/2015 Hans et al.  
 D741,240 S 10/2015 Melabiotis et al.  
 D743,315 S 11/2015 Perini  
 D753,048 S 4/2016 Chan

D753,571 S 4/2016 Juergens et al.  
 D769,169 S 10/2016 Kumeya et al.  
 D769,785 S 10/2016 Wells  
 D780,654 S 3/2017 Gallert  
 D780,656 S 3/2017 Bjerke  
 D784,238 S 4/2017 Chu et al.  
 D784,462 S 4/2017 Barajas et al.  
 D787,407 S 5/2017 Chung  
 D788,670 S 6/2017 Chung  
 D790,427 S 6/2017 Palana  
 D791,057 S 7/2017 Johnson  
 D791,668 S 7/2017 Murase  
 D796,407 S 9/2017 Krause  
 D799,394 S 10/2017 Yamashita  
 D803,130 S 11/2017 Taylor  
 D805,455 S 12/2017 Kong  
 D805,990 S 12/2017 Mizutani  
 D806,628 S 1/2018 Schell et al.  
 D828,462 S 9/2018 Sprowl  
 D828,878 S 9/2018 Sprowl  
 D842,205 S 3/2019 Kraljevic  
 D842,795 S 3/2019 Groth  
 D845,861 S 4/2019 Tran  
 D849,645 S 5/2019 Khachatryan  
 D856,893 S 8/2019 Ramthun  
 D862,612 S 10/2019 Sprowl et al.  
 D865,080 S 10/2019 Sprowl et al.  
 D889,565 S \* 7/2020 Sprowl ..... D21/563  
 D889,566 S \* 7/2020 Ewing ..... D21/563  
 D896,151 S 9/2020 Piscitelli  
 D896,725 S 9/2020 Valencia Pollex  
 D897,452 S \* 9/2020 Lin ..... D21/550  
 2017/0080350 A1 3/2017 Allmendinger et al.  
 2020/0247179 A1 8/2020 Christensen et al.

OTHER PUBLICATIONS

MSA M21 LOK (Beadlock); <https://msawheels.com/wheels/m21-lok/>; Aug. 2016.  
 OMF Performance Products; Beadlocked Wheels; [https://www.omfperformance.com/beadlocked\\_wheels\\_uq.php](https://www.omfperformance.com/beadlocked_wheels_uq.php); Aug. 2016.  
 Taiwan IPO Search Report; completed Aug. 4, 2016; regarding Taiwan Design Patent Application No. 105301436.

\* cited by examiner

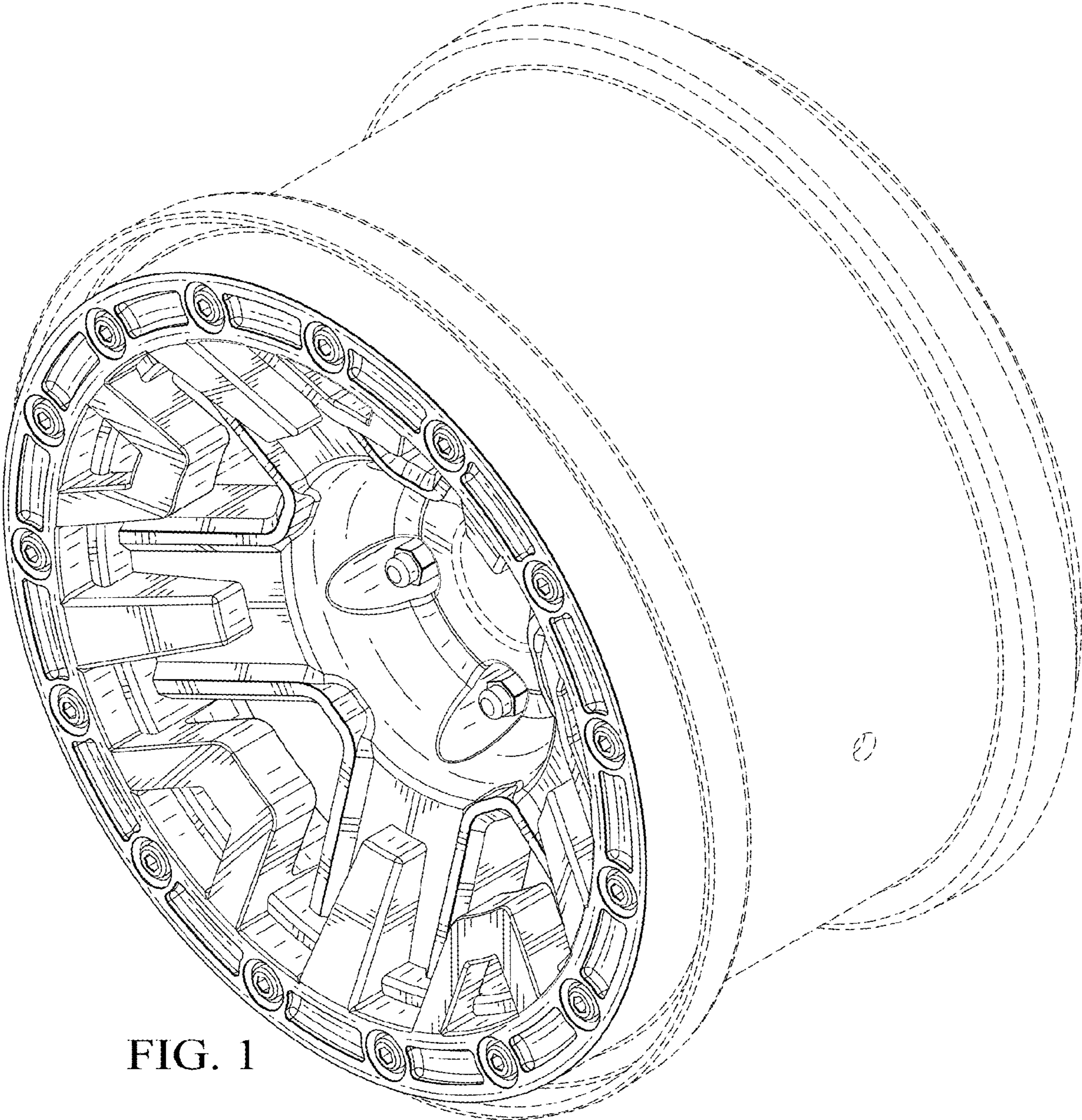


FIG. 1

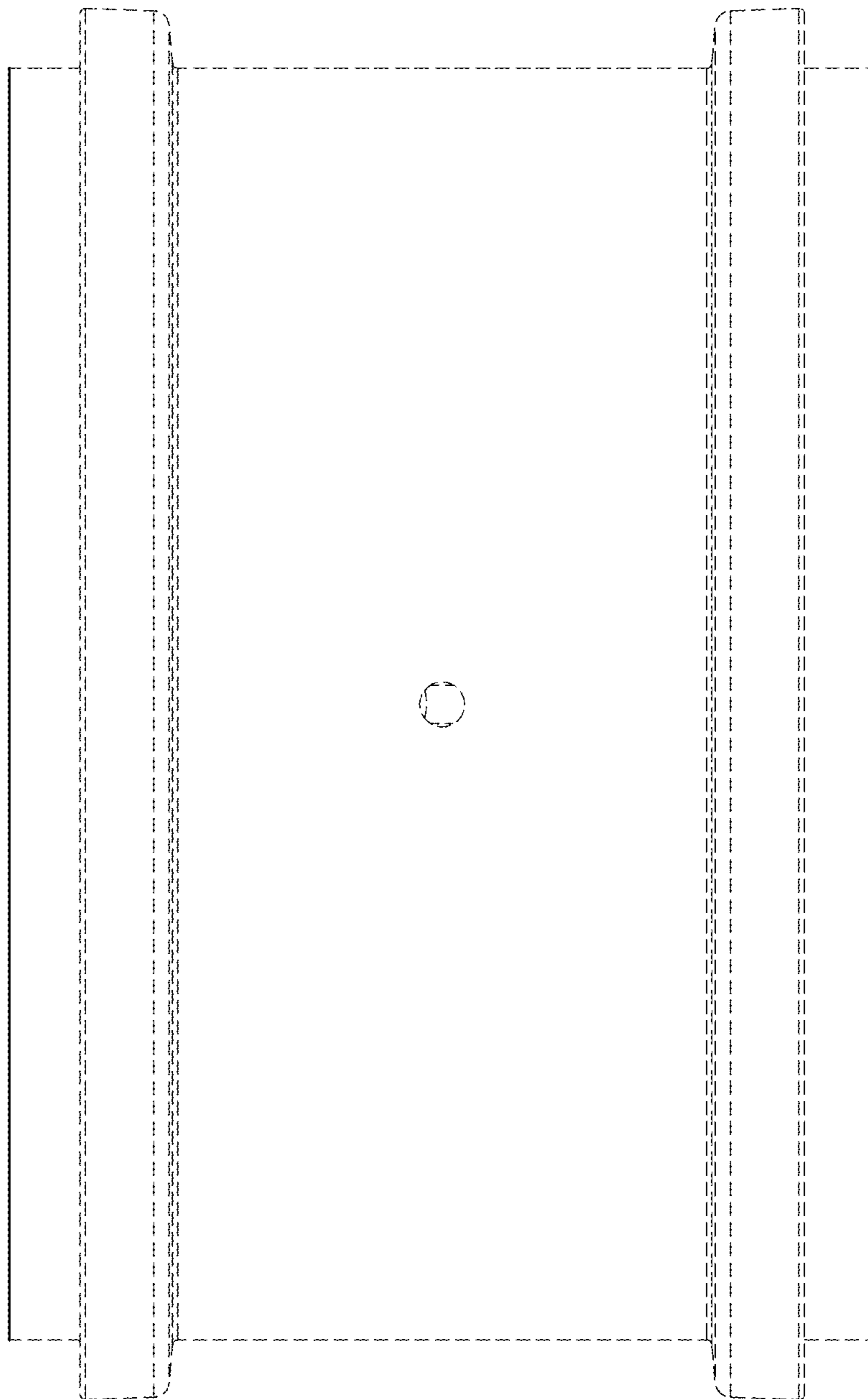


FIG. 2

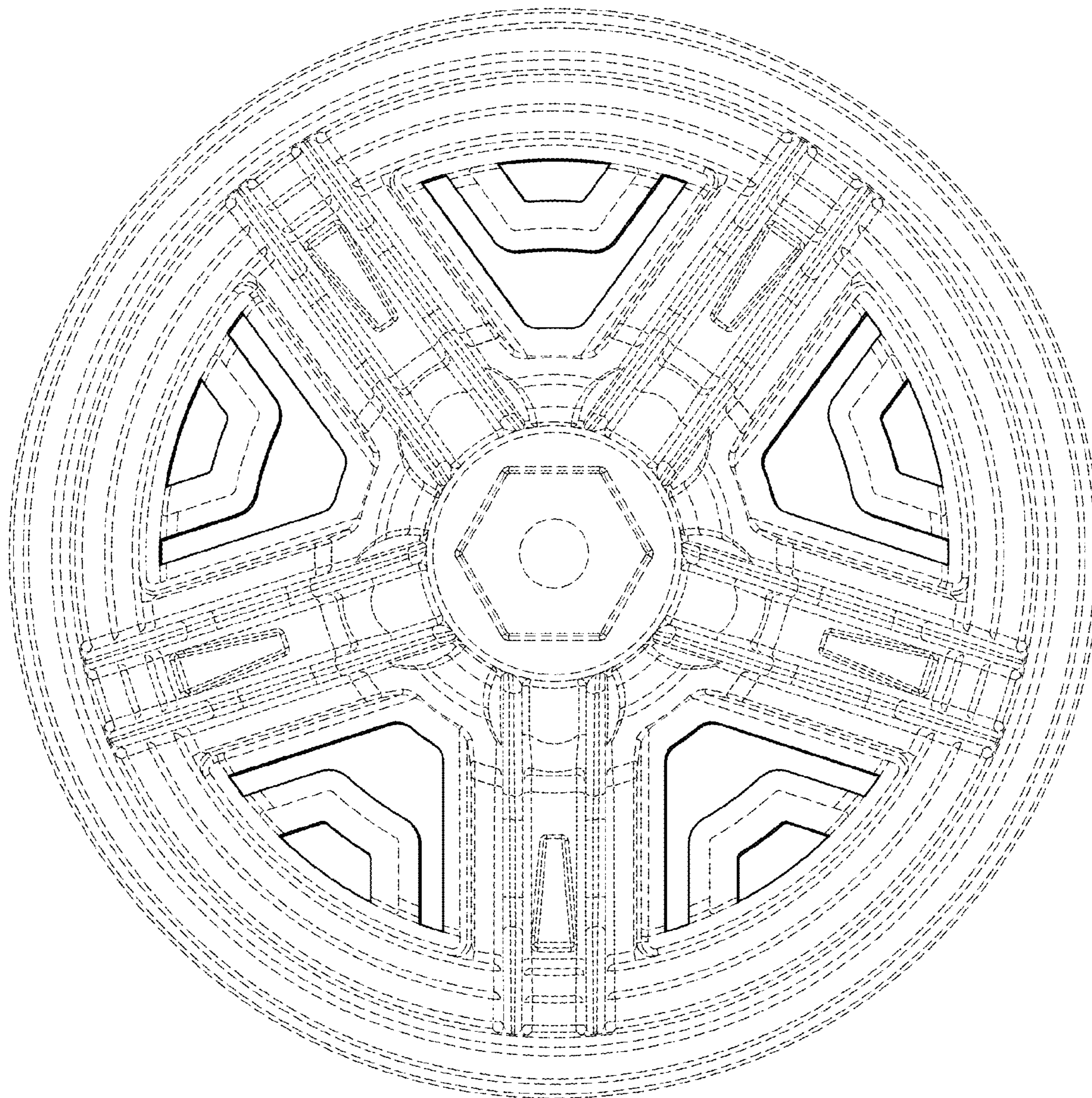


FIG. 3

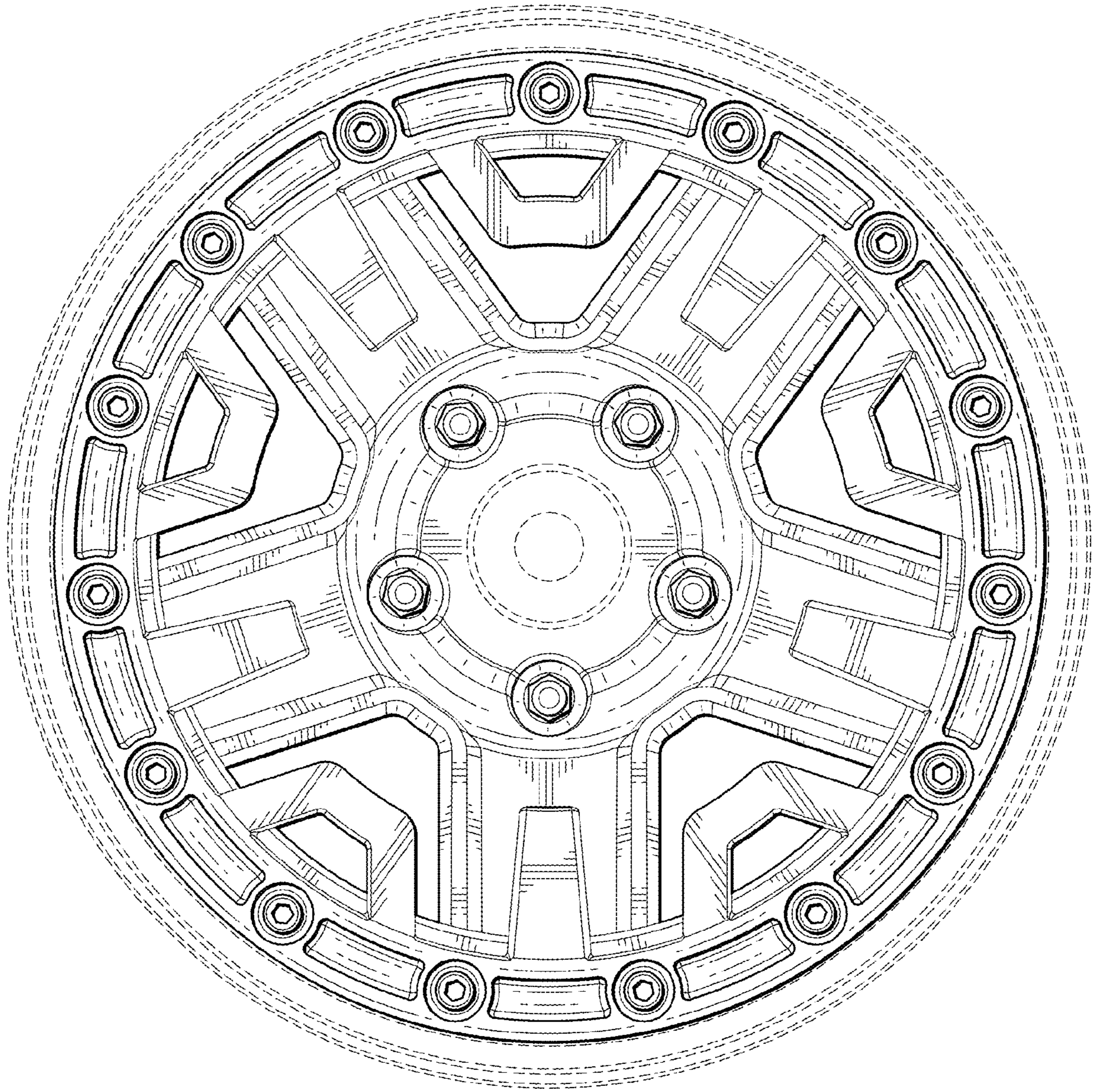


FIG. 4

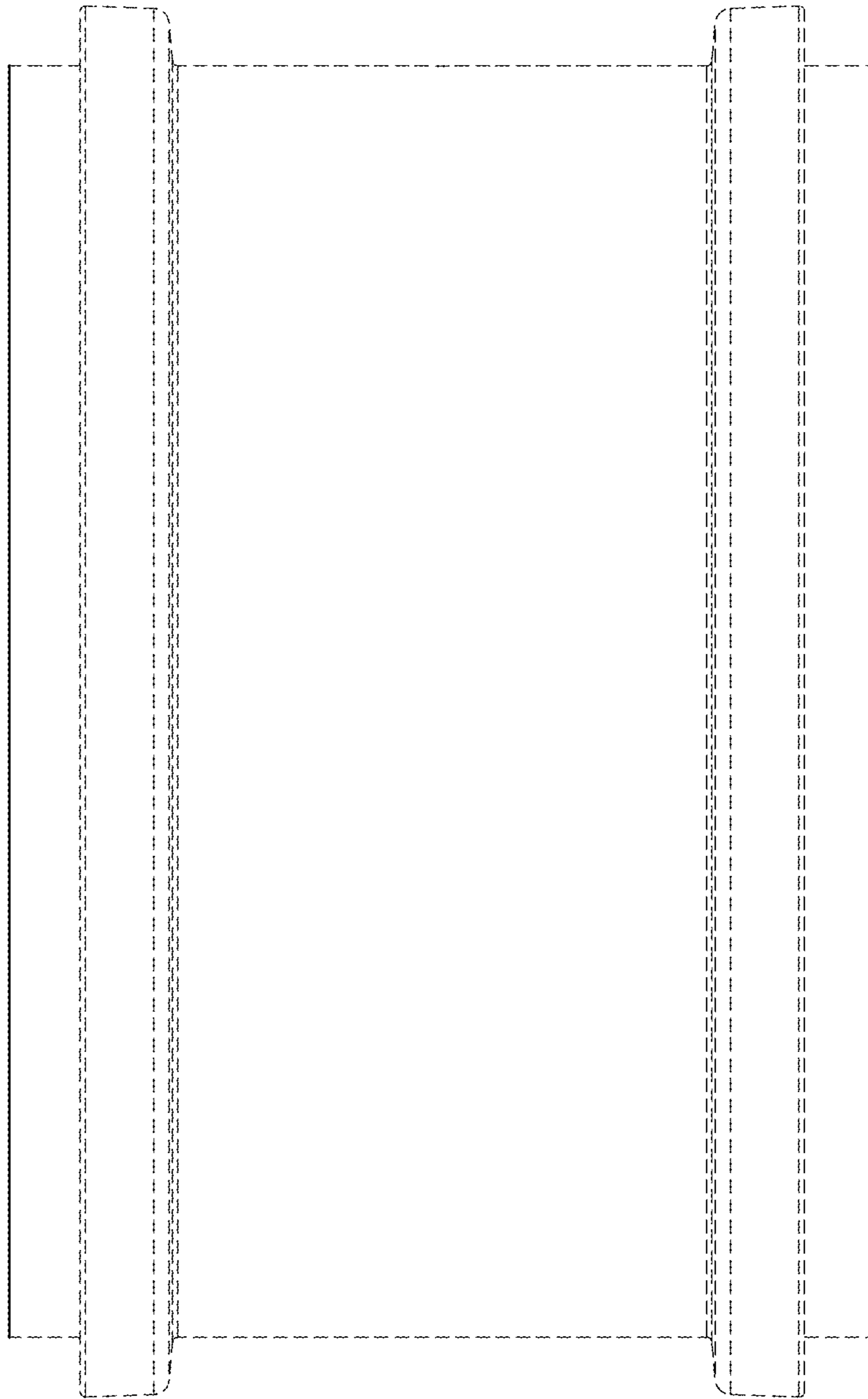


FIG. 5

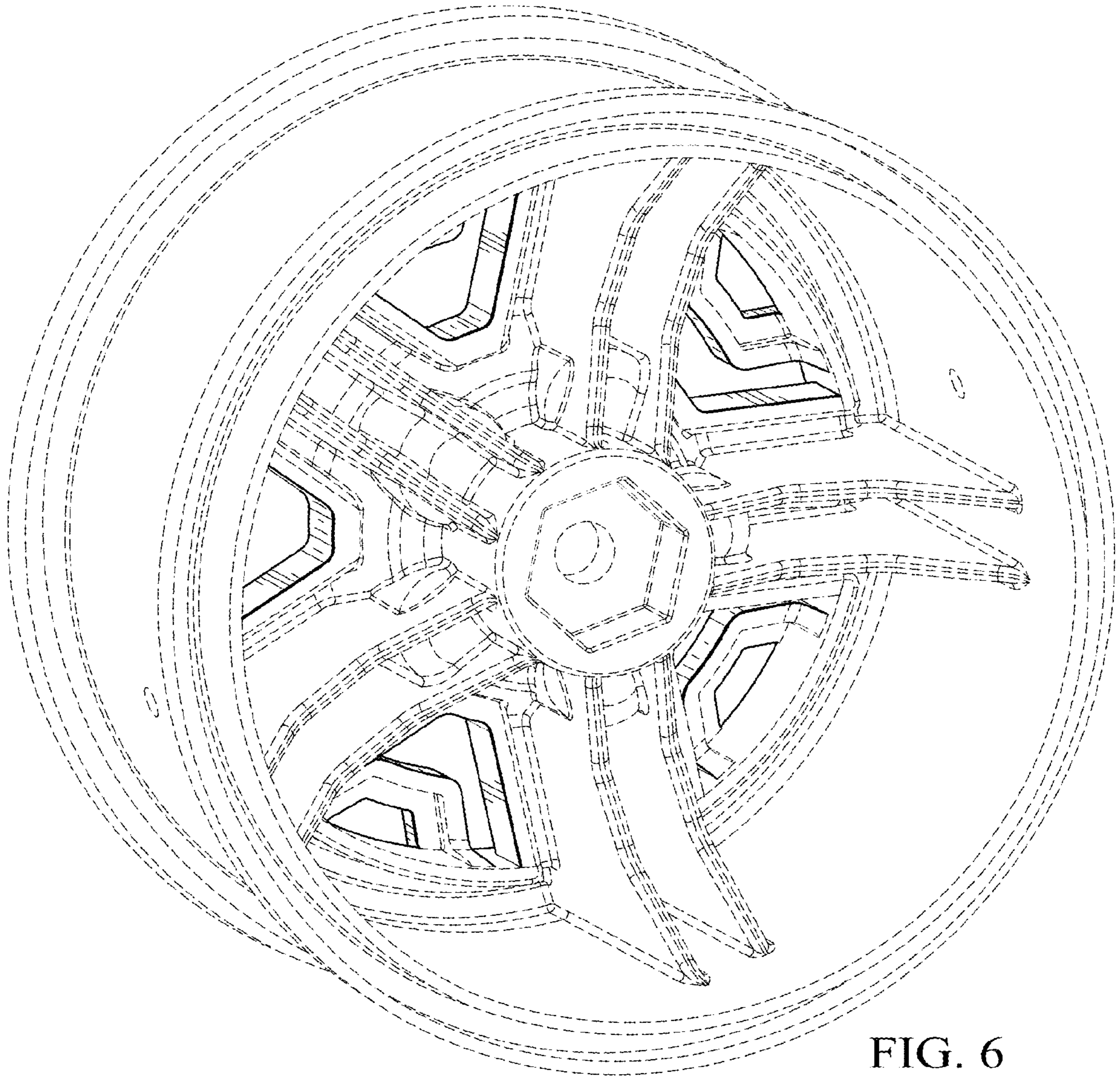


FIG. 6





FIG. 7