



US00D926263S

(12) **United States Design Patent**
Ou

(10) **Patent No.:** **US D926,263 S**

(45) **Date of Patent:** **** Jul. 27, 2021**

(54) **TOY CAR KIT**

D881,068 S 4/2020 Resta
D897,239 S 9/2020 Binotto
D897,447 S * 9/2020 Gillenwater D21/447

(71) Applicant: **SHENZHEN WONUODE INTELLIGENT TECHNOLOGY CO., LTD.**, Shenzhen (CN)

* cited by examiner

(72) Inventor: **Jianghai Ou**, Shenzhen (CN)

Primary Examiner — Cynthia M. Chin

(73) Assignee: **SHENZHEN WONUODE INTELLIGENT TECHNOLOGY CO., LTD.**, Shenzhen (CN)

(57) **CLAIM**

The ornamental design for a toy car kit, as shown and described.

(**) Term: **15 Years**

DESCRIPTION

(21) Appl. No.: **29/778,552**

(22) Filed: **Apr. 14, 2021**

(51) **LOC (13) Cl.** **21-01**

(52) **U.S. Cl.**
USPC **D21/540; D21/450**

(58) **Field of Classification Search**
USPC D21/447, 448, 450, 453, 533, 539, 548,
D21/560, 561, 564, 565

CPC A63H 27/00; A63H 27/008; A63H 27/02;
A63H 27/04; A63H 27/06; A63H 27/14;
A63H 18/026; A63H 19/15

See application file for complete search history.

FIG. 1 is a perspective view of a toy car of a toy car kit shown separately for ease of illustration;
FIG. 2 is another perspective view thereof;
FIG. 3 is a front elevational view thereof;
FIG. 4 is a rear elevational view thereof;
FIG. 5 is a left side elevational view thereof;
FIG. 6 is a right side elevational view thereof;
FIG. 7 is a top plan view thereof;
FIG. 8 is a bottom plan view thereof;
FIG. 9 is a perspective view of a track piece of the toy car kit shown separately for ease of illustration;
FIG. 10 is another perspective view thereof;
FIG. 11 is a front elevational view thereof;
FIG. 12 is a rear elevational view thereof;
FIG. 13 is a left side elevational view thereof;
FIG. 14 is a right side elevational view thereof;
FIG. 15 is a top plan view thereof;
FIG. 16 is a bottom plan view thereof; and,
FIG. 17 is a perspective view of the toy car kit shown in use where the toy car is put on a track consisting of a plurality of the track pieces.

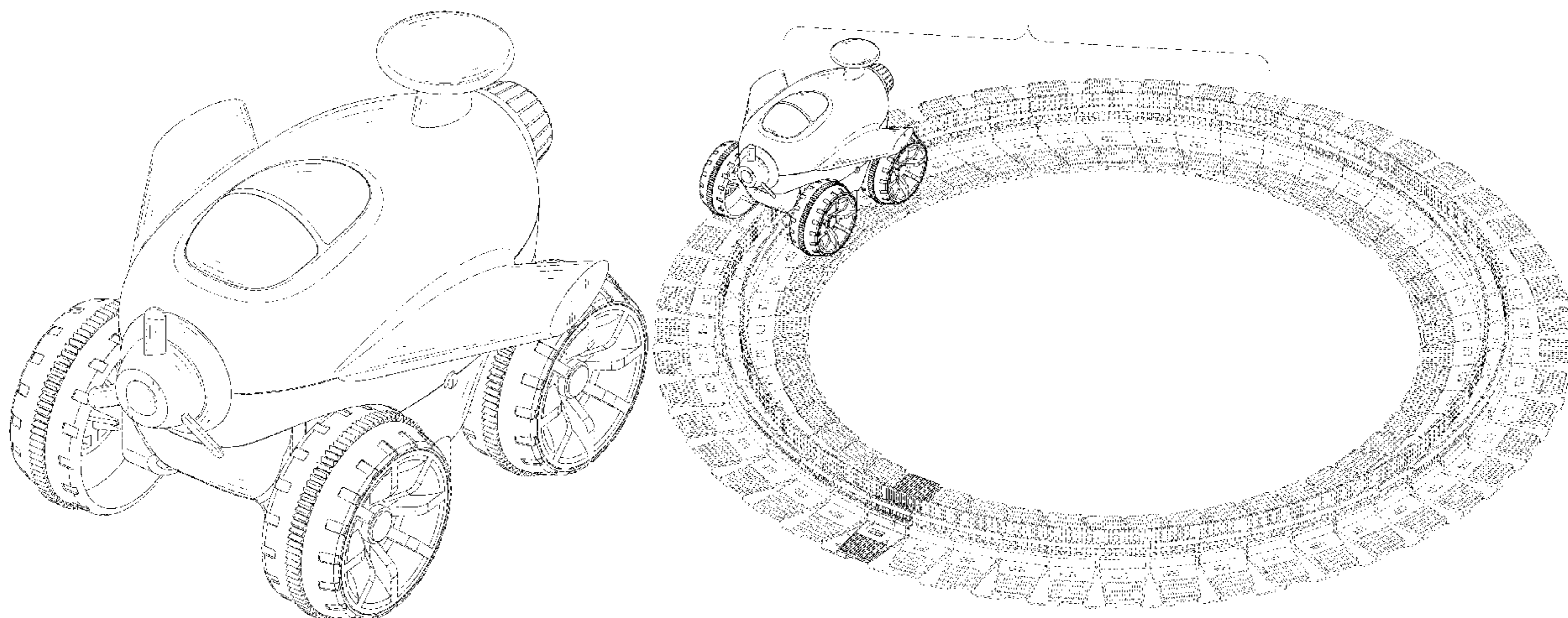
The broken lines in the drawings depict portions of the toy car kit that form no part of the claimed design.

(56) **References Cited**

U.S. PATENT DOCUMENTS

D267,501 S * 1/1983 Tabata D21/450
D281,341 S * 11/1985 Lau D21/548
D292,193 S * 10/1987 Milad D12/2
D320,421 S * 10/1991 Harris D21/450
D413,970 S * 9/1999 Chen D23/367
D448,814 S * 10/2001 Tse D21/447

1 Claim, 17 Drawing Sheets



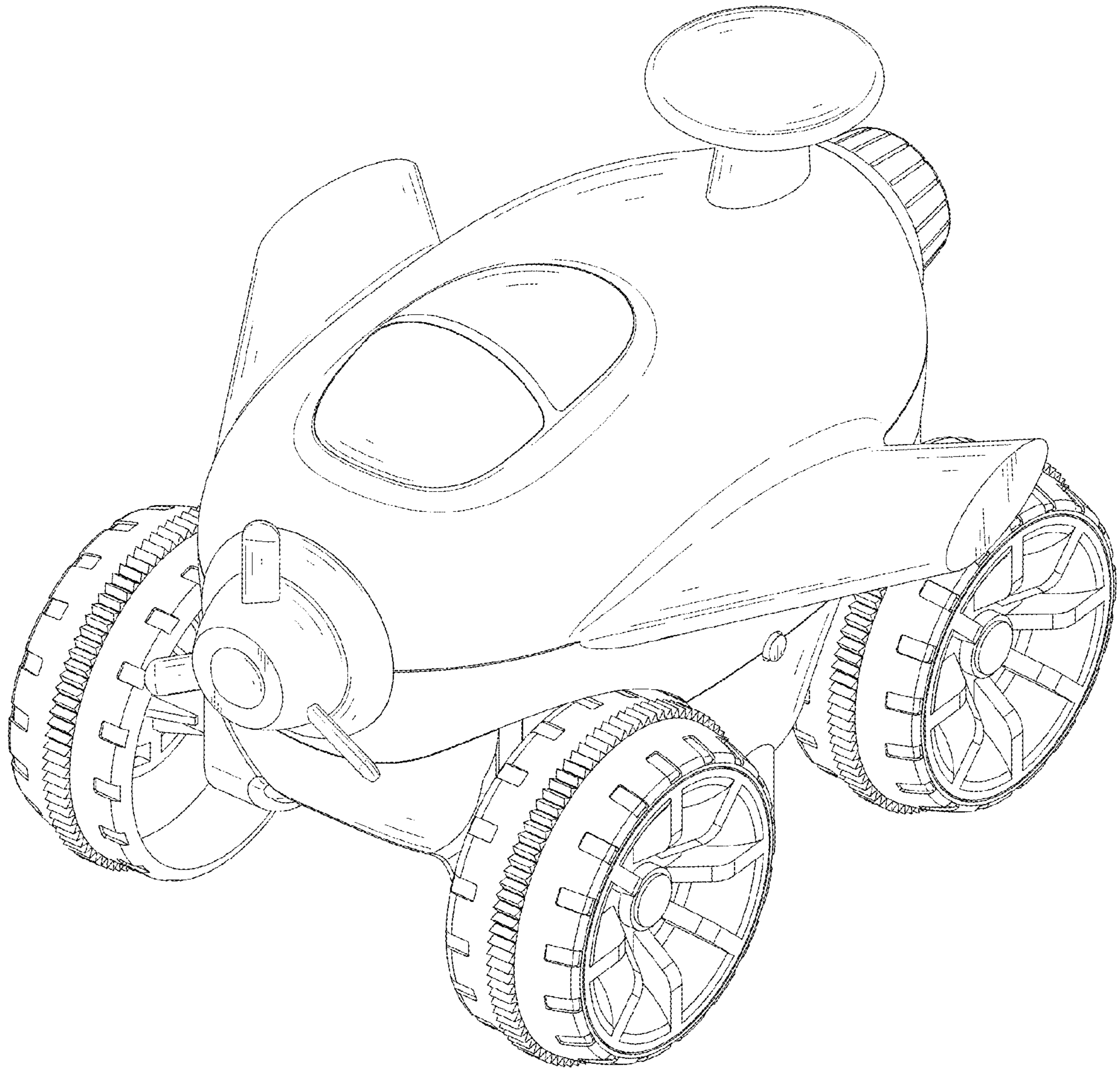


FIG. 1

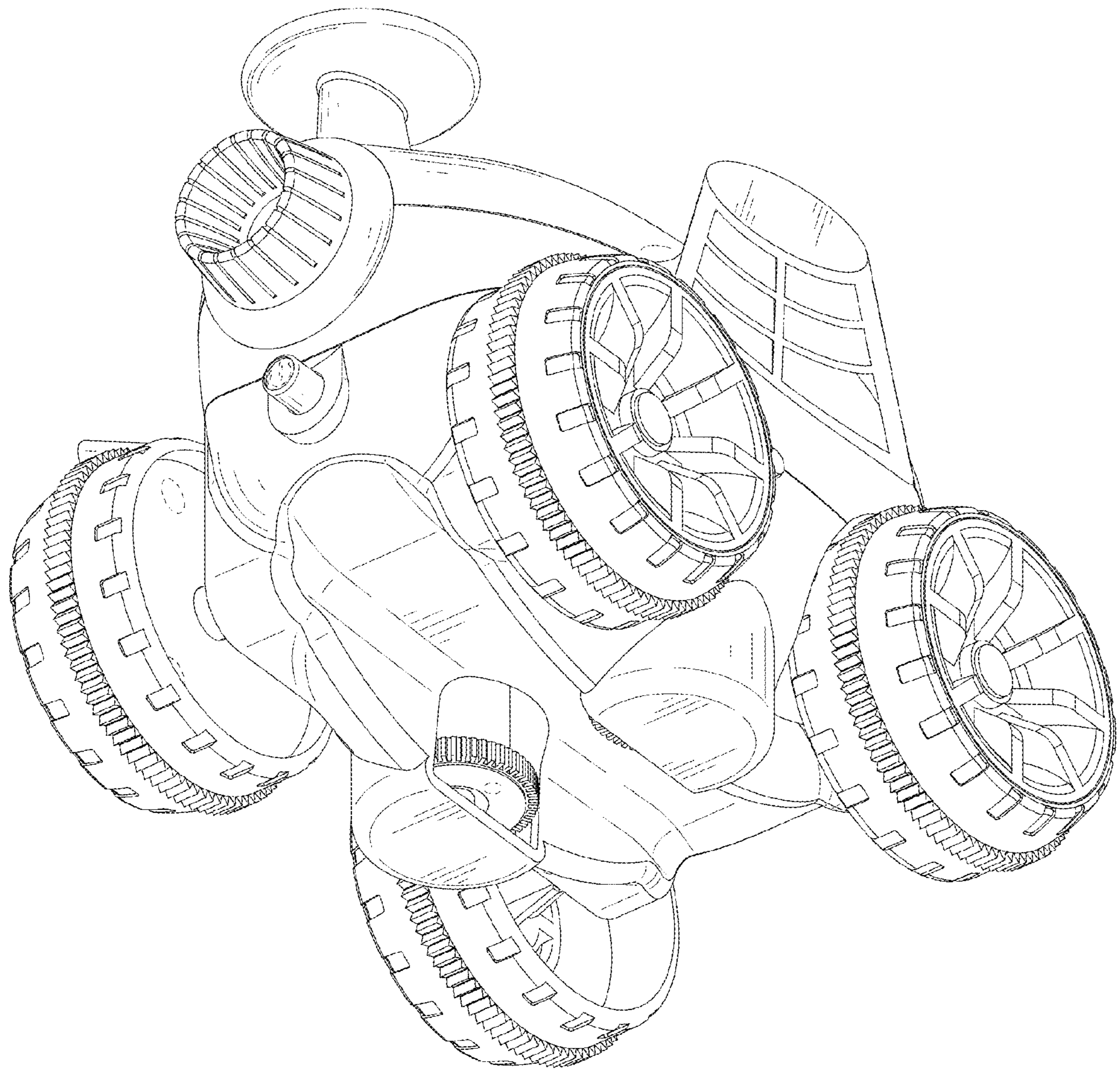


FIG. 2

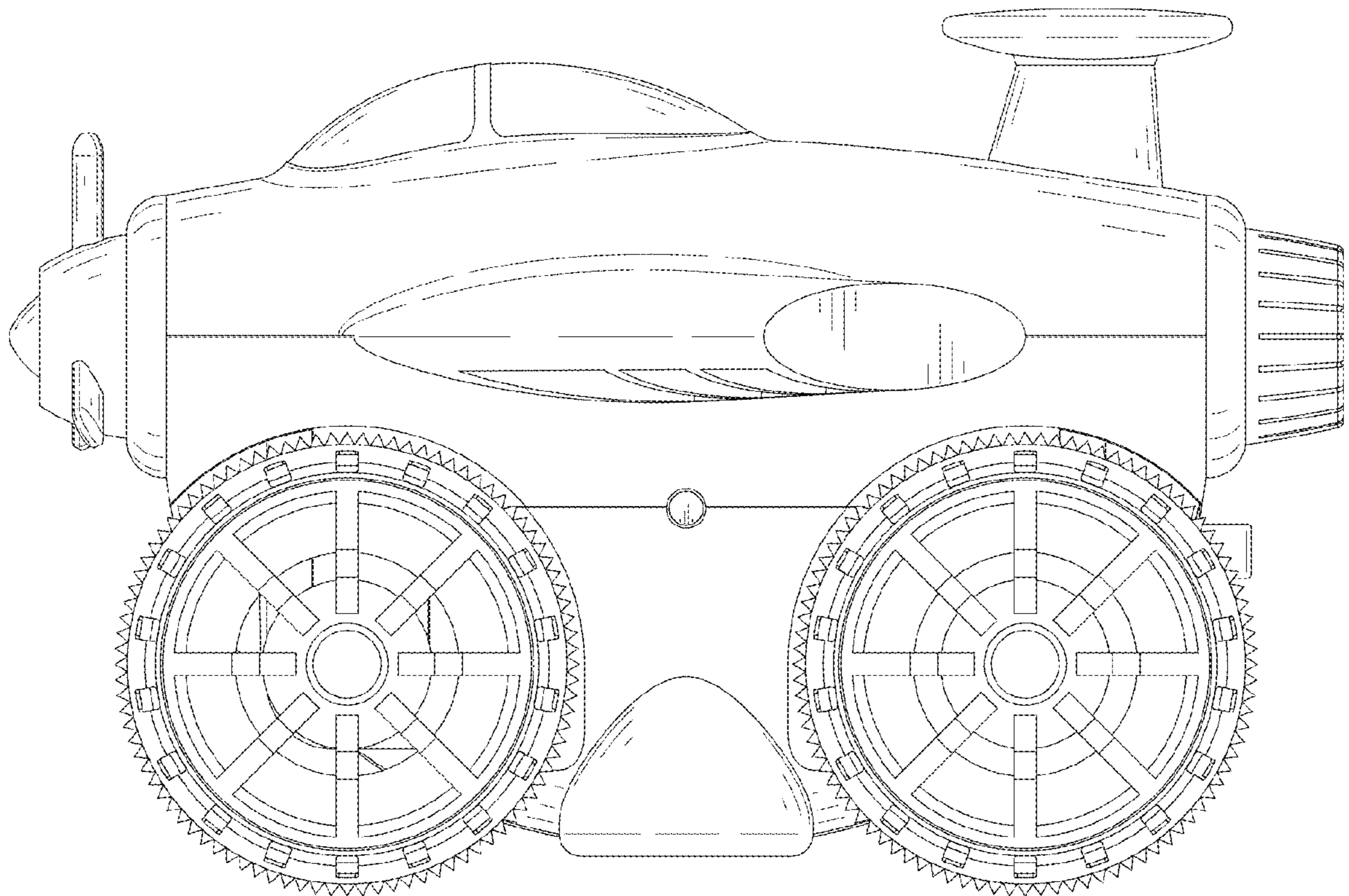


FIG. 3

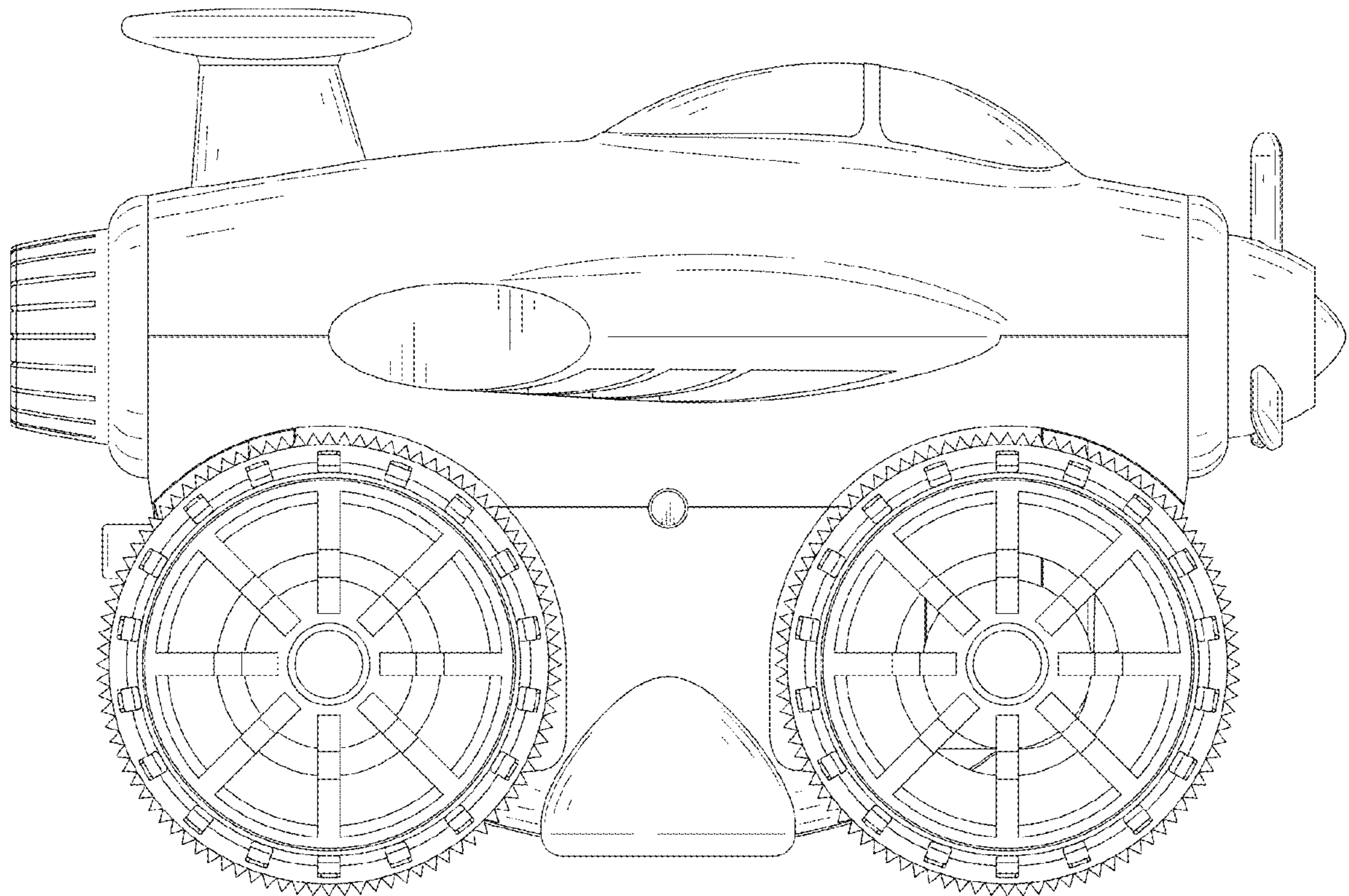


FIG. 4

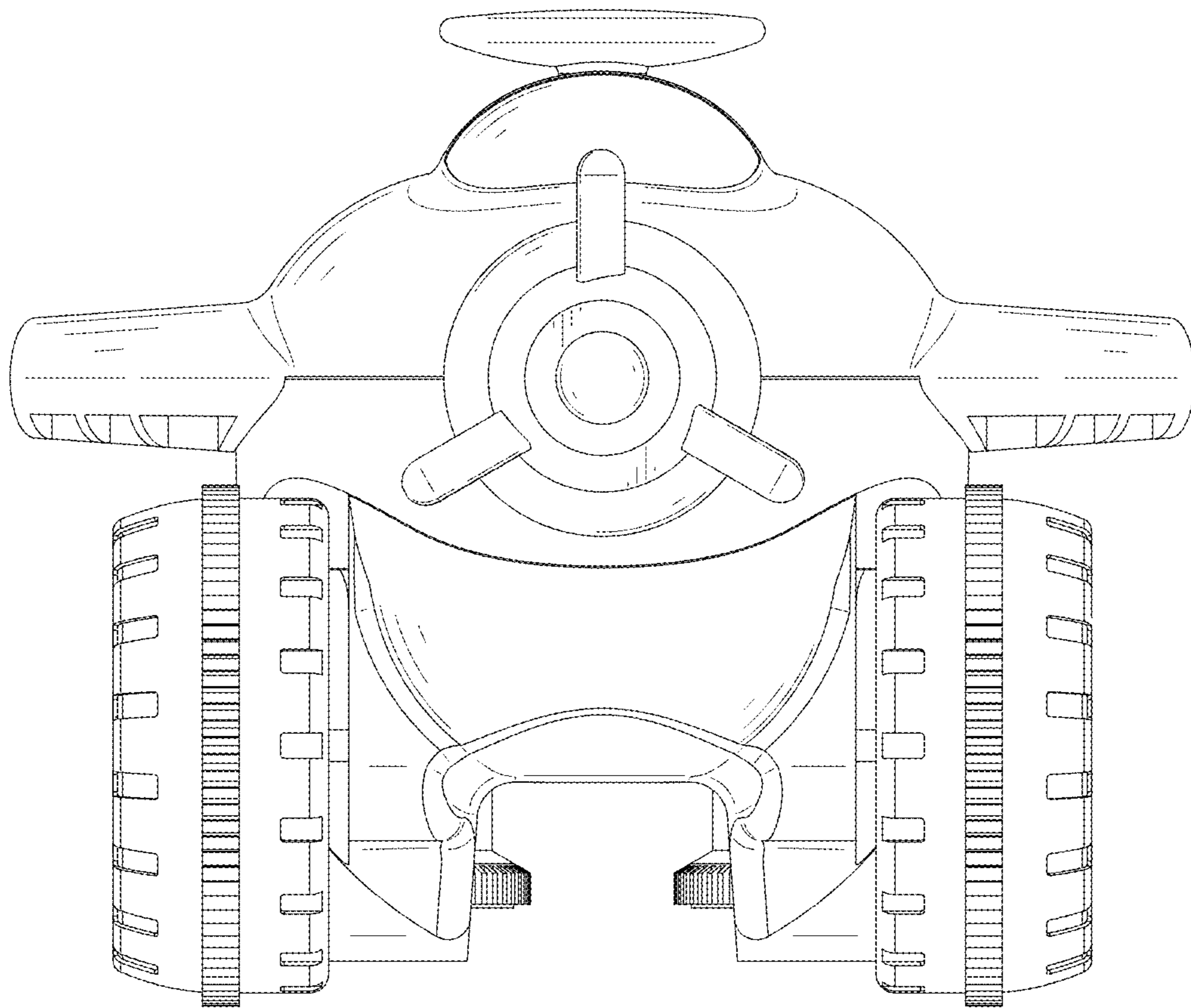


FIG. 5

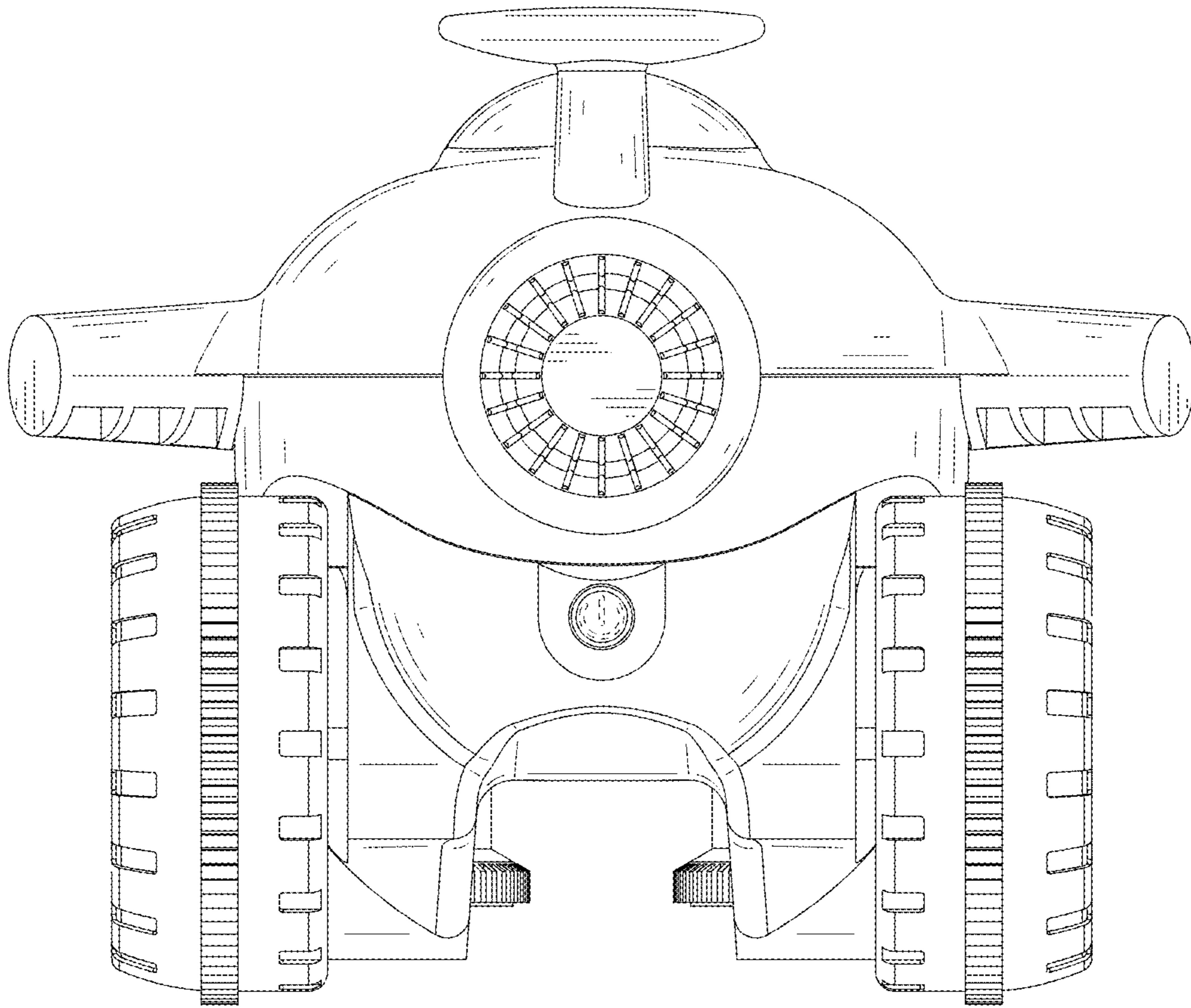


FIG. 6

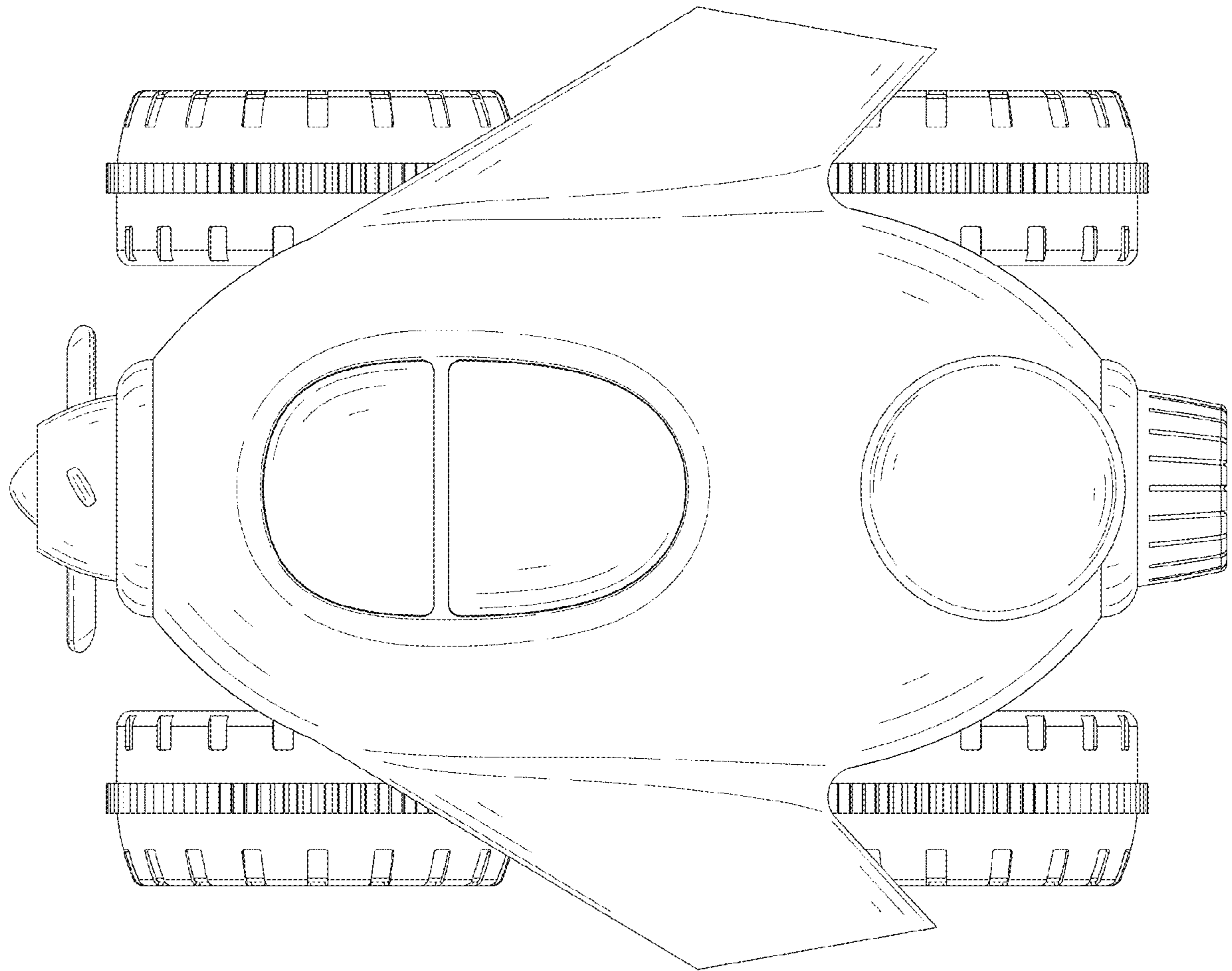


FIG. 7

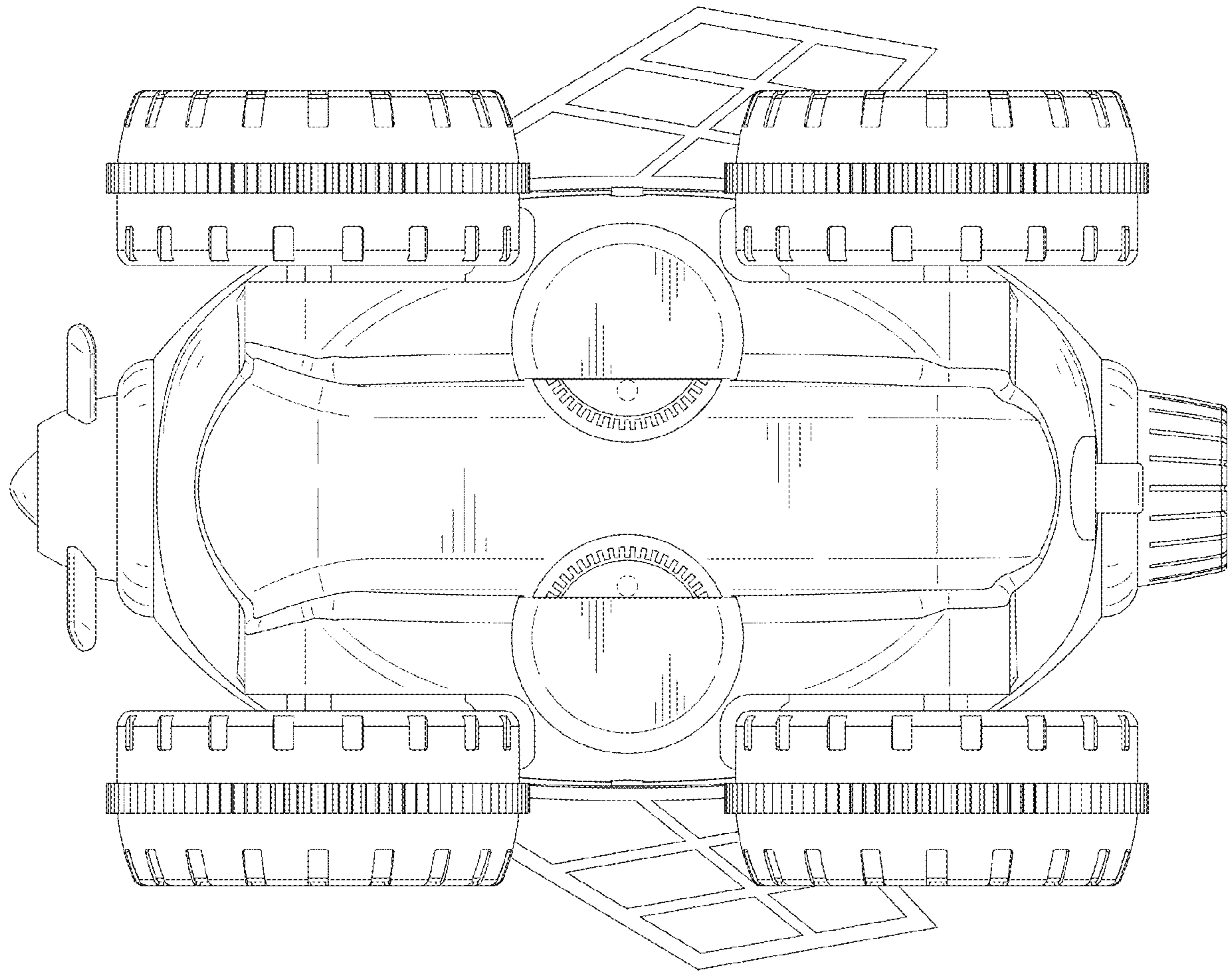


FIG. 8

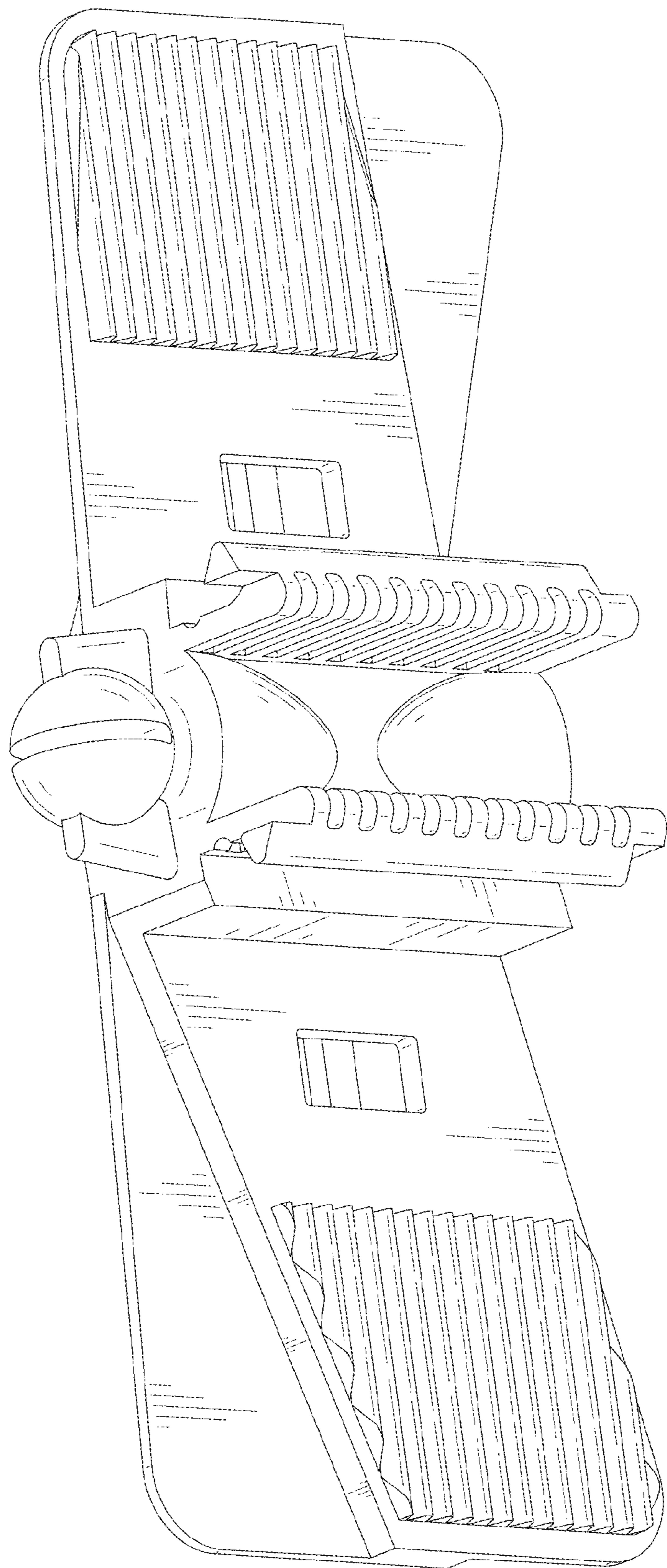


FIG. 9

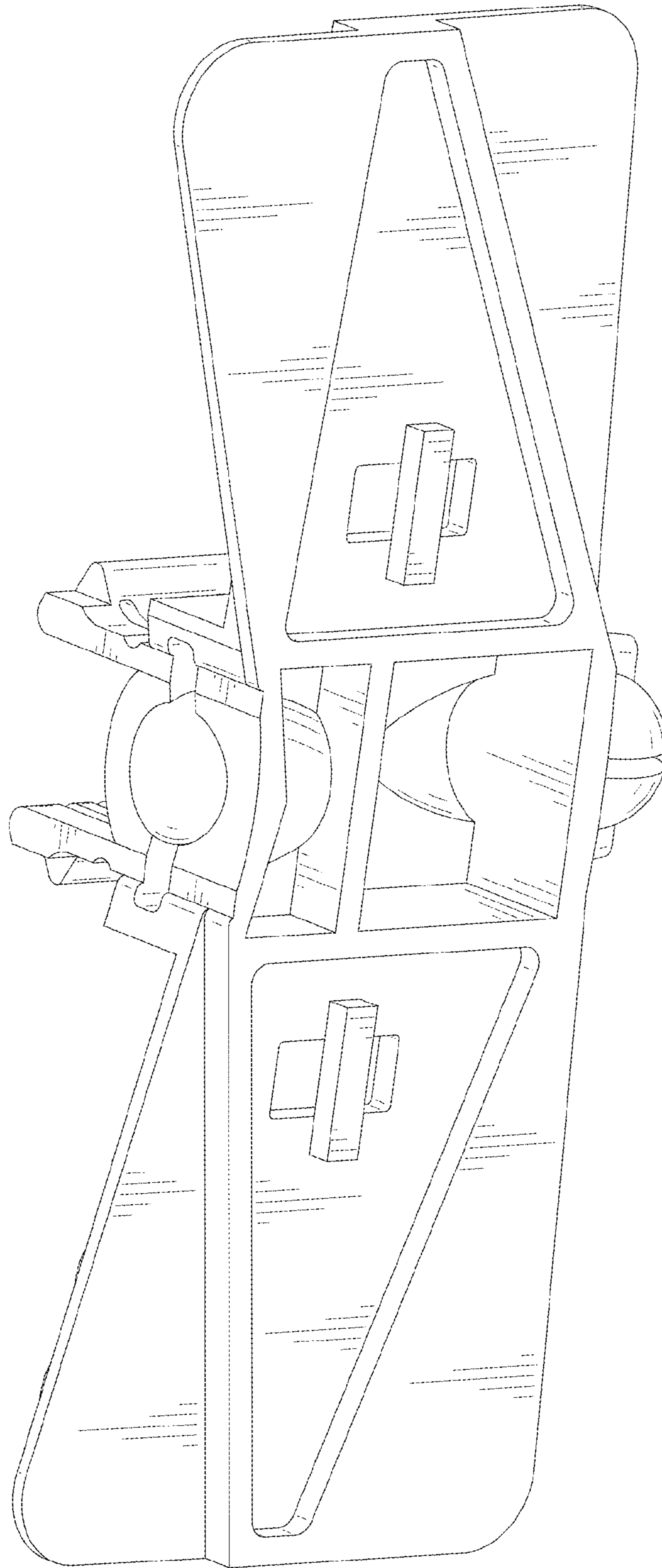


FIG. 10

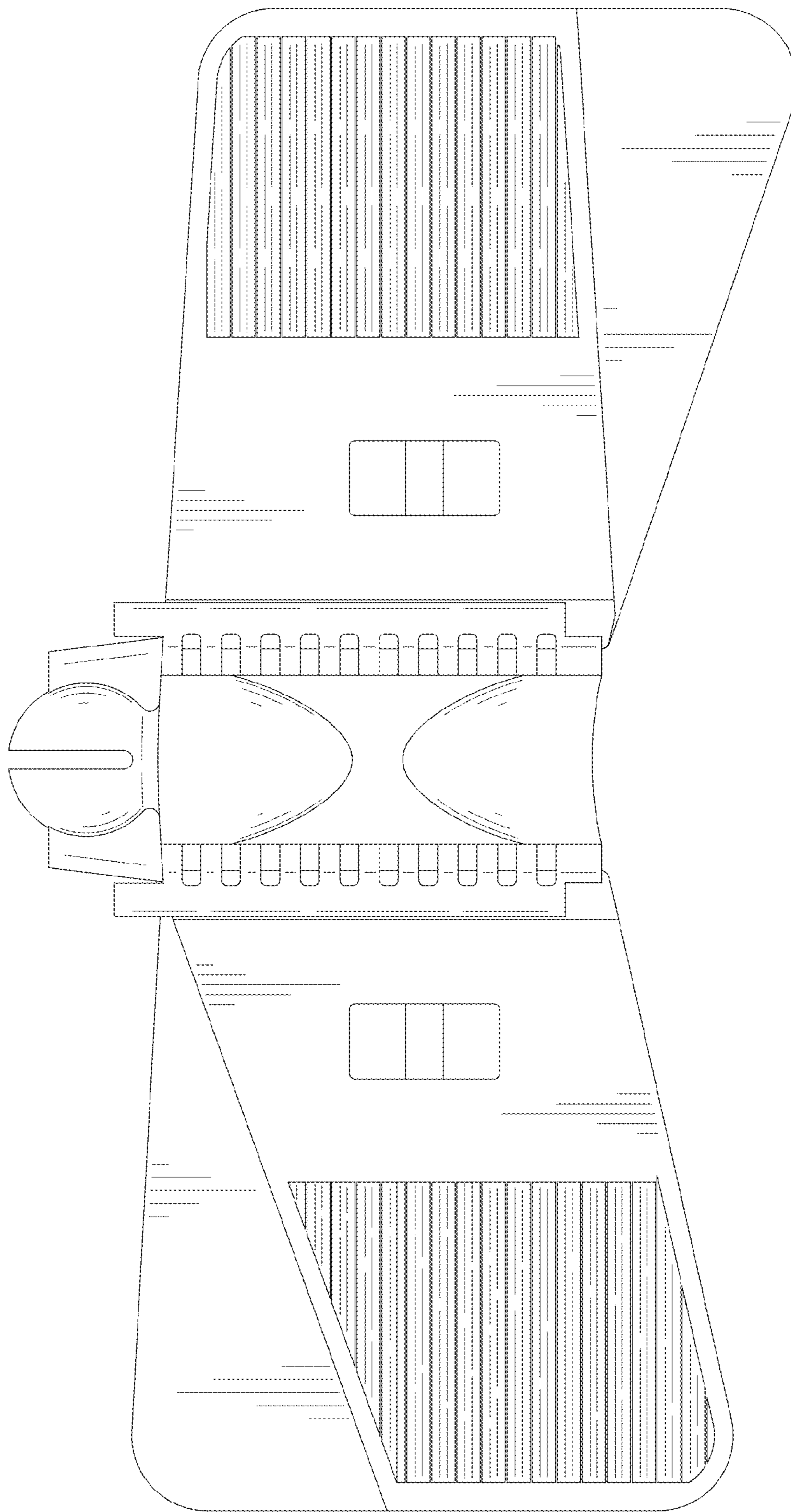


FIG. 11

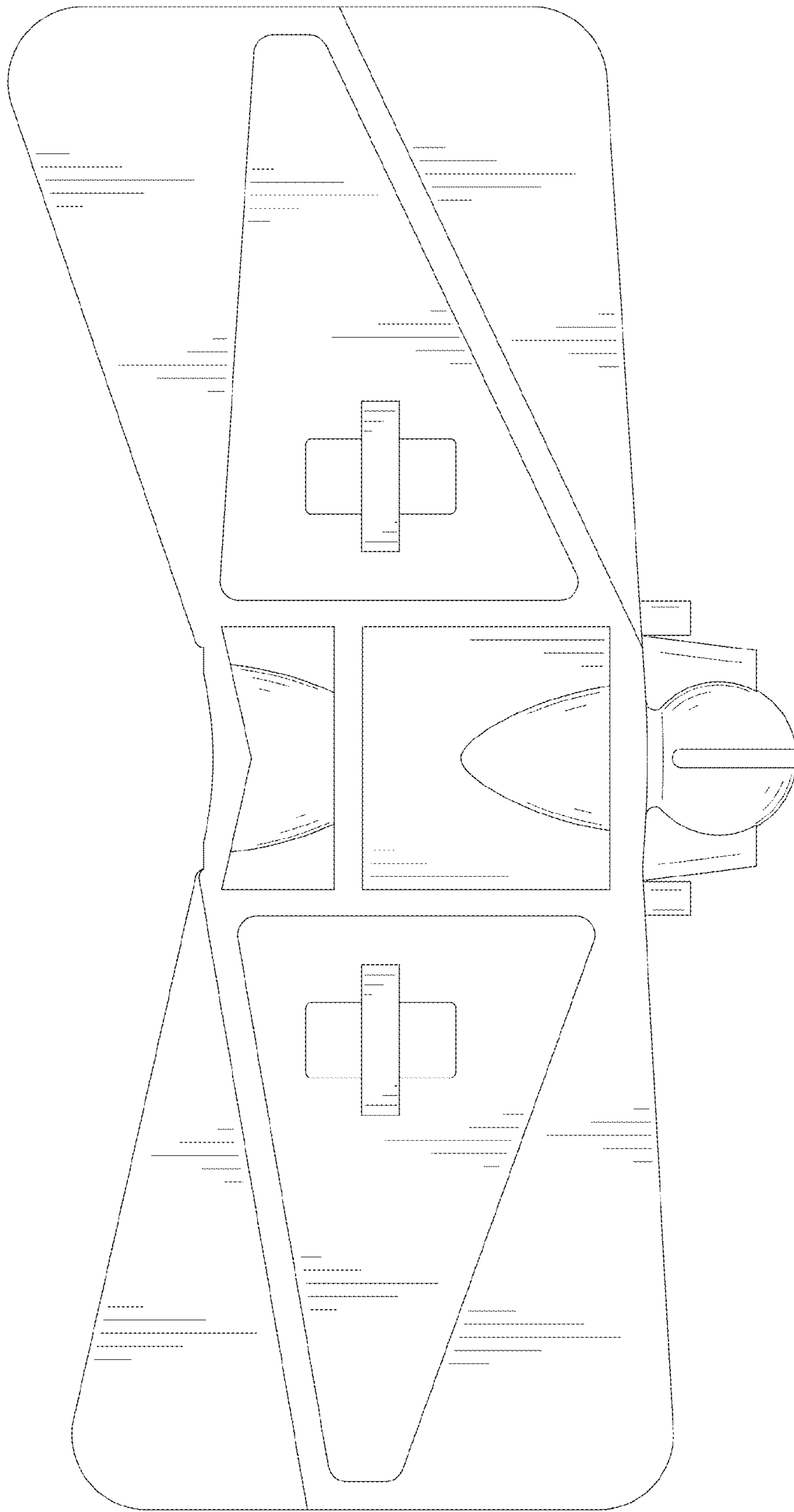


FIG. 12

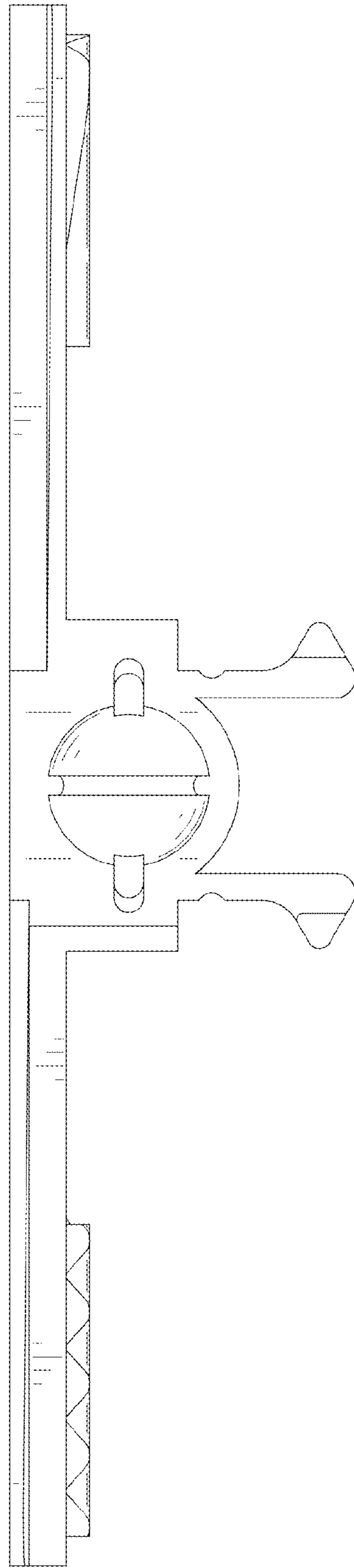


FIG. 13

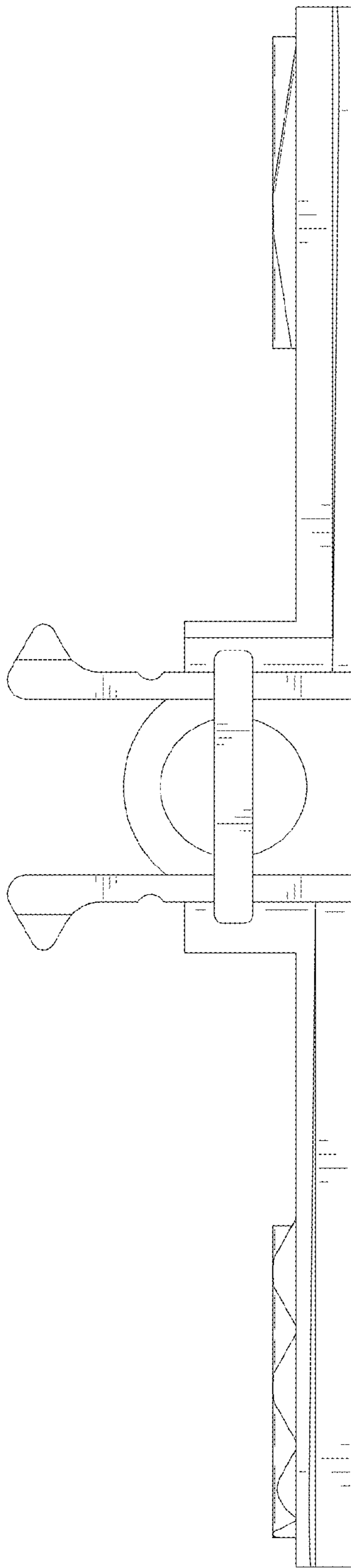


FIG.14

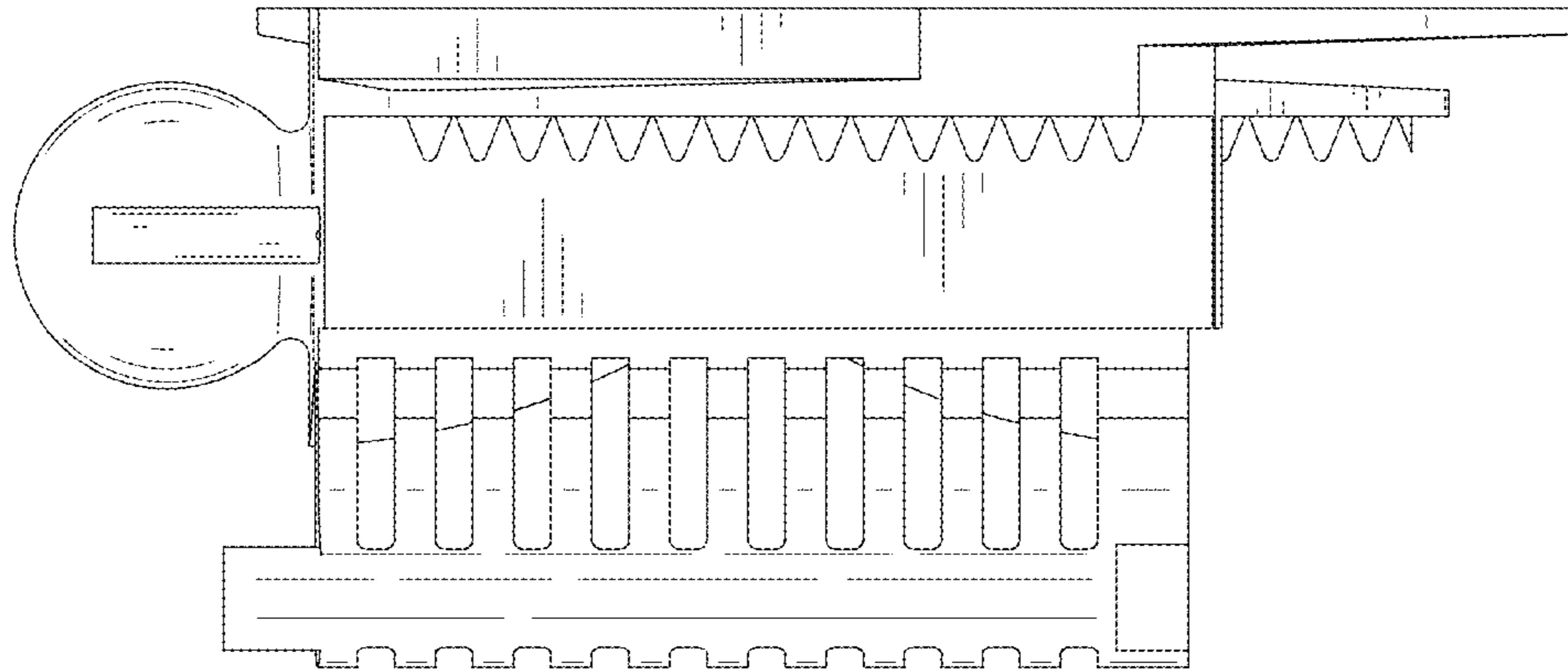


FIG.15

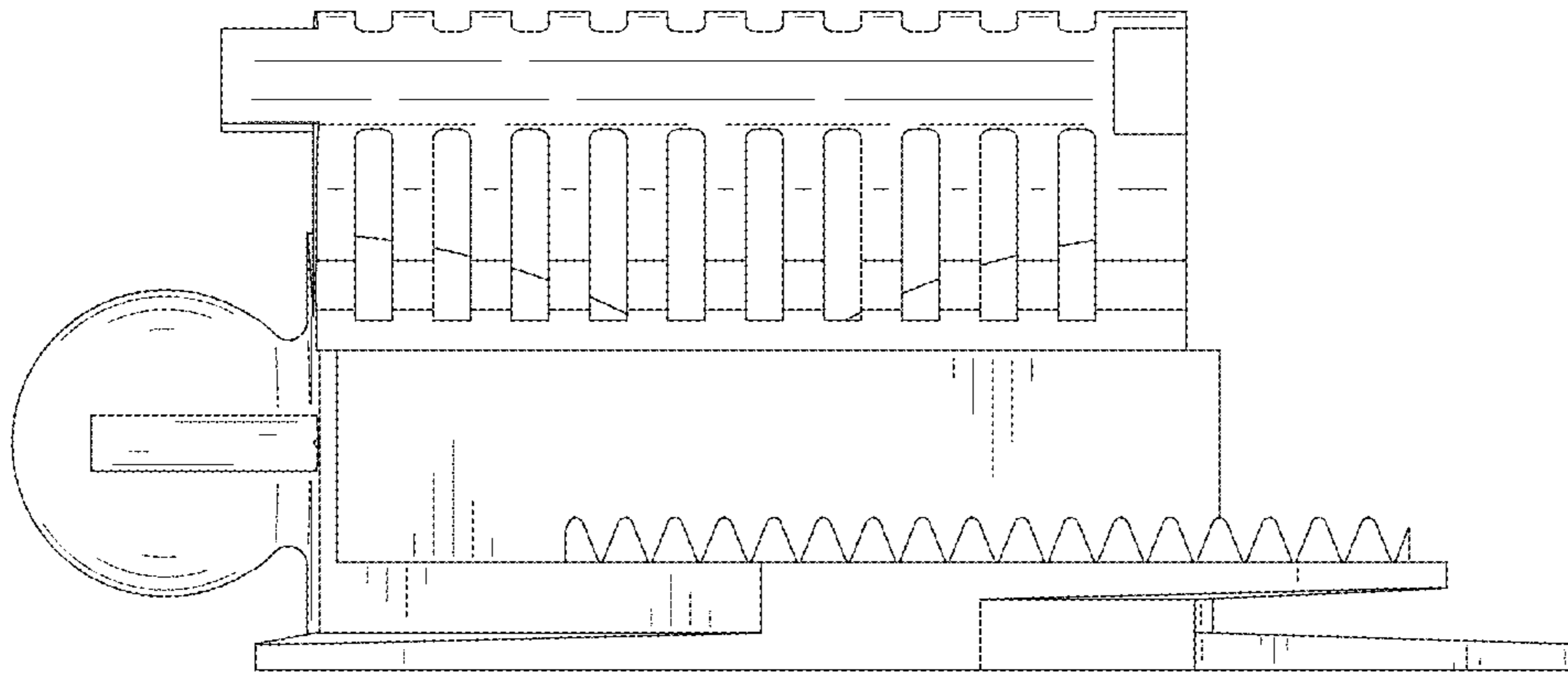


FIG.16

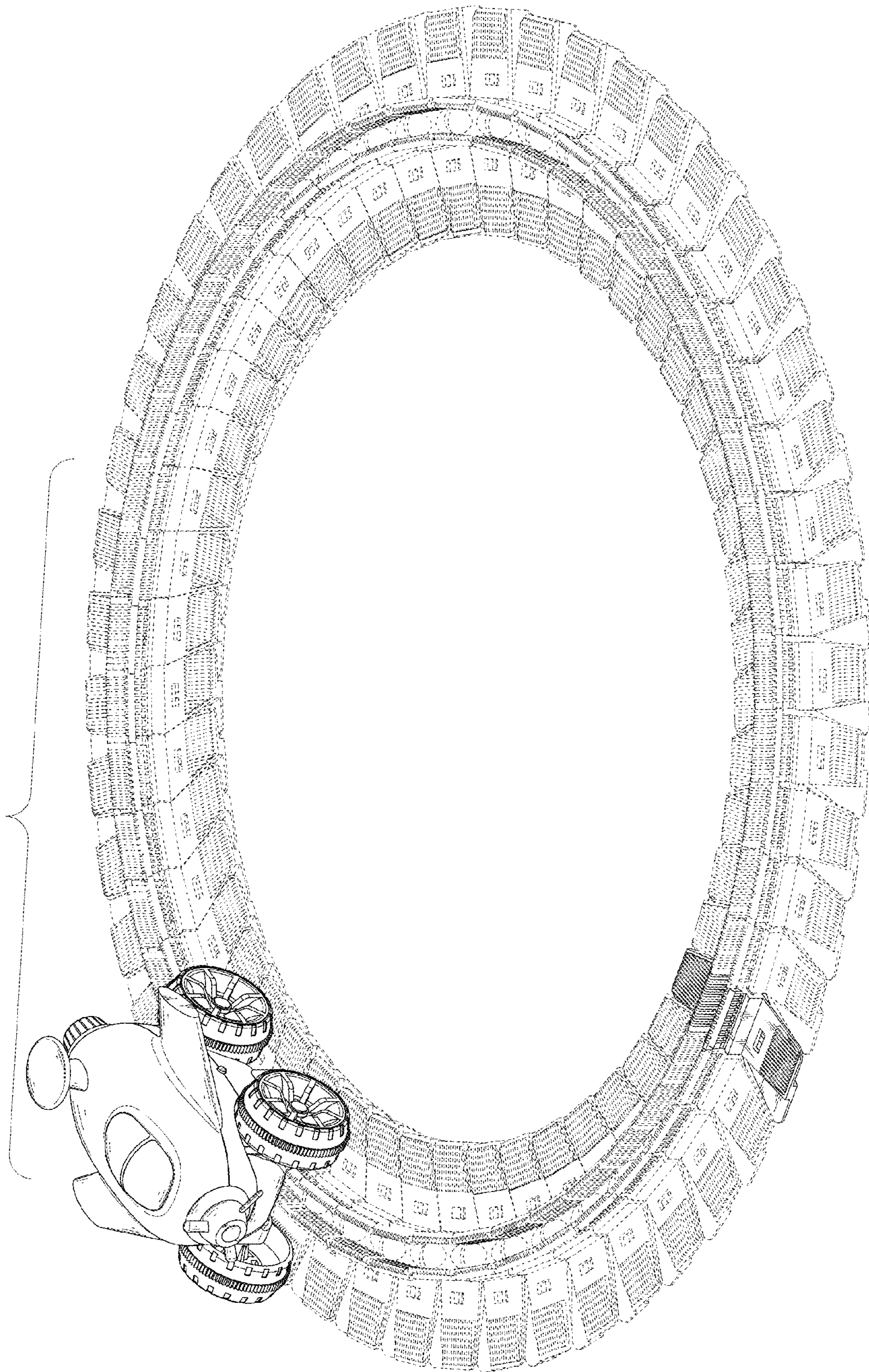


FIG. 17