



US00D926262S

(12) **United States Design Patent** (10) **Patent No.:** **US D926,262 S**
Falerni et al. (45) **Date of Patent:** **** Jul. 27, 2021**

(54) **COLLAPSIBLE TOY**

(56) **References Cited**

(71) Applicant: **Honor Metro Limited**, Kowloon (HK)

U.S. PATENT DOCUMENTS

(72) Inventors: **Jeff Falerni**, Agoura Hills, CA (US);
Won Yang, Toluca Lake, CA (US);
Valerie Gresham, Los Angeles, CA (US);
Nai Yang, Temple City, CA (US);
Christine Chang, Van Nuys, CA (US)

191,554 A 6/1877 Stanton
821,468 A 5/1906 Dashiell
(Continued)

FOREIGN PATENT DOCUMENTS

(73) Assignee: **Honor Metro Limited**, Hong Kong (HK)

CA 2552383 A1 7/2005
CN 105084151 A 11/2015
(Continued)

(**) Term: **15 Years**

OTHER PUBLICATIONS

(21) Appl. No.: **29/767,267**

International Search Report and Written Opinion for International Application No. PCT/US20/21374 dated May 12, 2020.

(22) Filed: **Jan. 21, 2021**

Primary Examiner — Catherine A Tuttle

(74) *Attorney, Agent, or Firm* — Belles Katz LLC

Related U.S. Application Data

(62) Division of application No. 29/682,929, filed on Mar. 8, 2019, now Pat. No. Des. 911,458.

(51) **LOC (13) Cl.** **21-01**

(52) **U.S. Cl.**

USPC **D21/483**; D21/398; D9/772

(58) **Field of Classification Search**

USPC D21/398, 468, 475, 478, 483, 525, 811,
D21/812; D3/24, 271.1, 274, 294;
D9/503, 506, 518, 600, 715-719, 721,
D9/730, 737, 738, 741, 763, 772-775,
D9/779, 780, 414, 416, 419, 420-423,
D9/428, 902; D6/521; D8/358; D10/72;
446/69, 71, 75, 76, 475, 487, 488, 489,
446/491

CPC . B65D 1/16; B65D 1/20; B65D 1/225; B65D
17/02; B65D 21/086; B65D 81/36; B65D
81/361; B65D 81/365; B65D 83/08;
B65D 85/67; B65D 85/672; B65D
85/676; B65D 2517/0008; B65D
2517/0047; B65D 2517/052; B65D
2517/0056; B65D 2583/0445; B65D
2583/0459; B65D

(Continued)

(57) **CLAIM**

The ornamental design for a collapsible toy, as shown and described.

DESCRIPTION

FIG. 1 is a top perspective view of a collapsible toy showing our new design;

FIG. 2 is a bottom perspective view thereof;

FIG. 3 is a front view thereof;

FIG. 4 is a rear view thereof;

FIG. 5 is a right side view thereof;

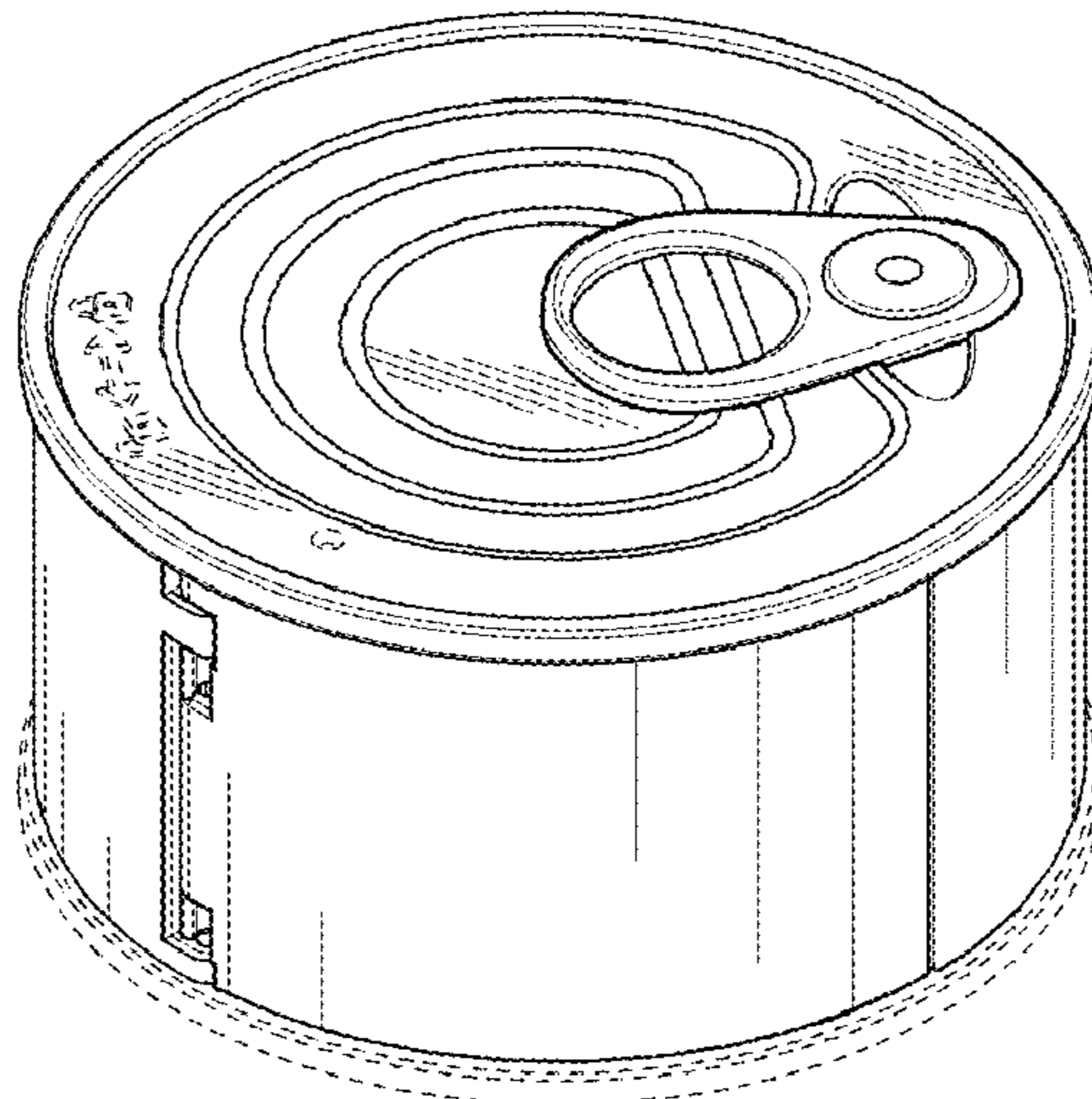
FIG. 6 is left side view thereof;

FIG. 7 is a top view thereof; and,

FIG. 8 is a bottom view thereof.

The broken lines depict the portions of the collapsible toy that form no part of the claimed design. The unshaded areas within the broken lines likewise form no part of the claimed design.

1 Claim, 7 Drawing Sheets



US D926,262 S

Page 2

(58) **Field of Classification Search**

CPC ... 2583/0463; B65D 2583/0468; A63H 33/00;
A63H 33/003; A63H 33/30; A63H 33/42;
A63H 37/00

See application file for complete search history.

5,178,298 A 1/1993 Allina
D423,778 S 5/2000 Rahal
D531,517 S * 11/2006 Hillard D9/715
D542,153 S 5/2007 Farrow et al.
8,157,119 B2 * 4/2012 Watson B65D 17/08
220/619

(56)

References Cited

U.S. PATENT DOCUMENTS

1,879,755 A 9/1932 Kneen
2,446,540 A 8/1948 Leach
D151,292 S 10/1948 Smith
2,858,644 A 11/1958 Derham
2,977,034 A 3/1961 Bartlett
3,583,090 A 6/1971 Fogarty
3,744,417 A 7/1973 Kaneko
D254,341 S 3/1980 Sacks
4,577,753 A 3/1986 Marhal
D322,280 S 12/1991 English

D760,092 S 6/2016 Goldman et al.
D768,510 S * 10/2016 Swenson D9/779
2003/0064661 A1 4/2003 Herber
2004/0097165 A1 5/2004 Wong
2020/0283195 A1 9/2020 Falerni et al.

FOREIGN PATENT DOCUMENTS

DE 102010033370 A1 2/2012
GB 356034 A 9/1931
GB 738375 10/1955
GB 1315649 5/1973
WO WO2006/006673 A1 1/2006

* cited by examiner

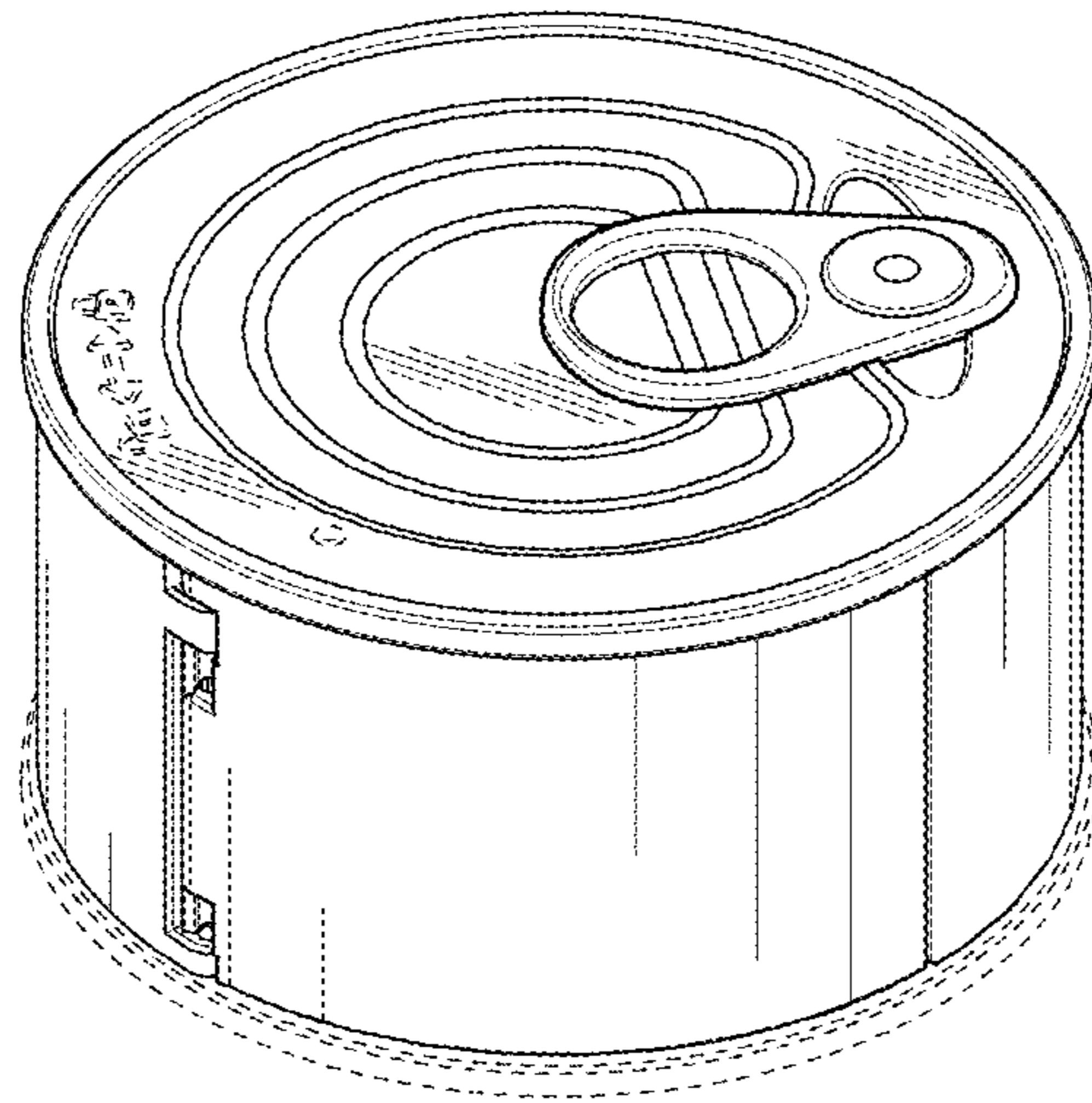


FIG. 1

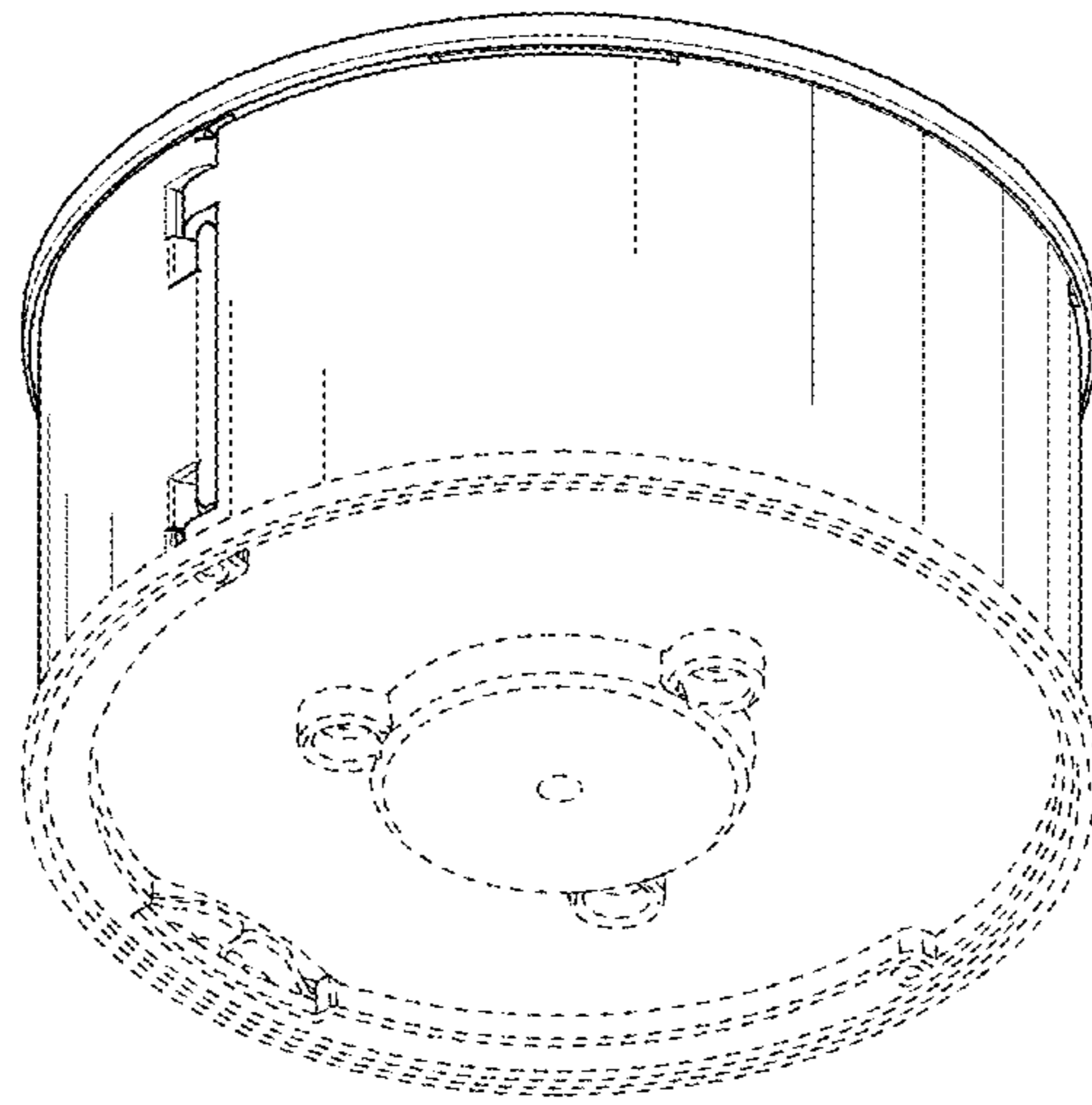


FIG. 2

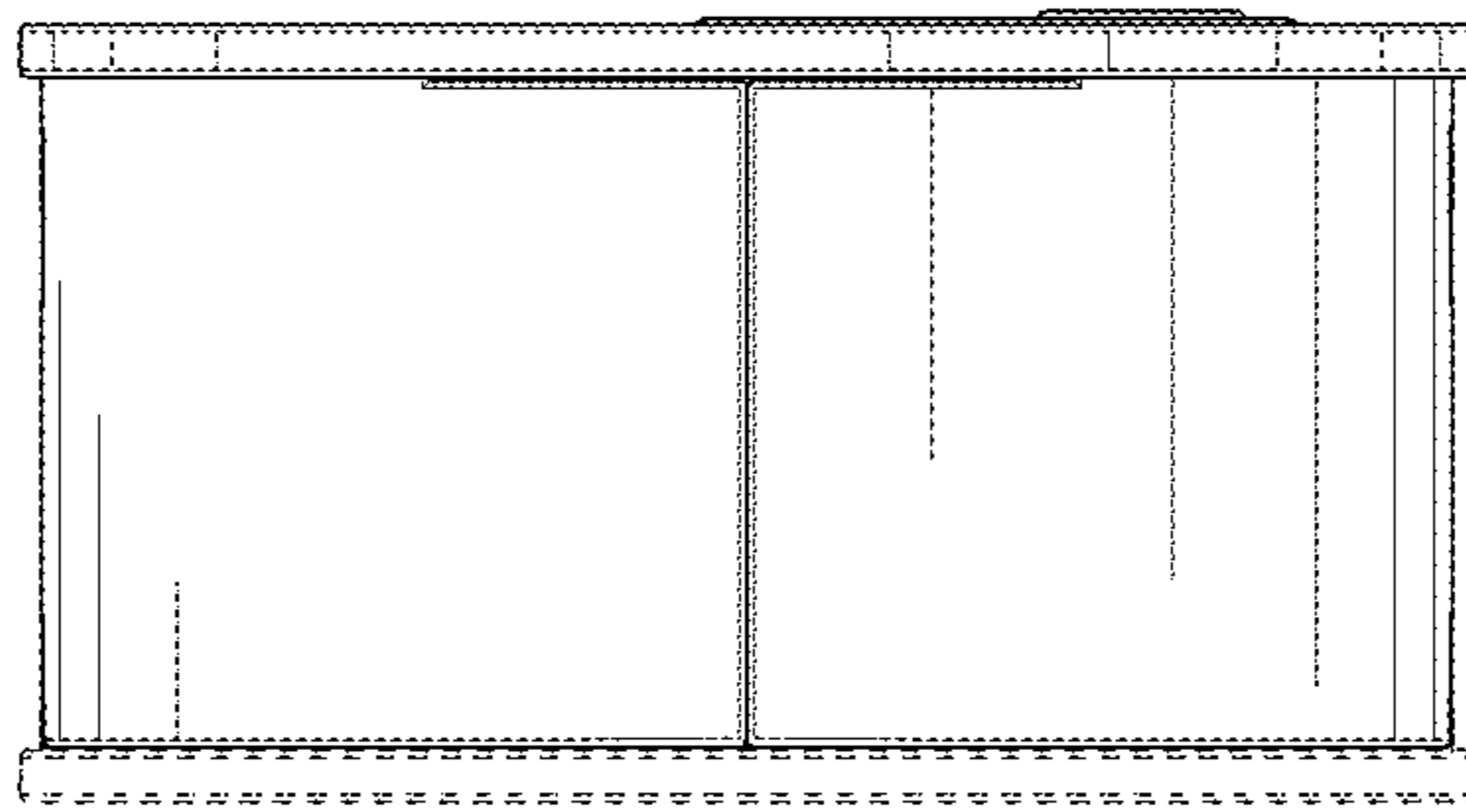


FIG. 3

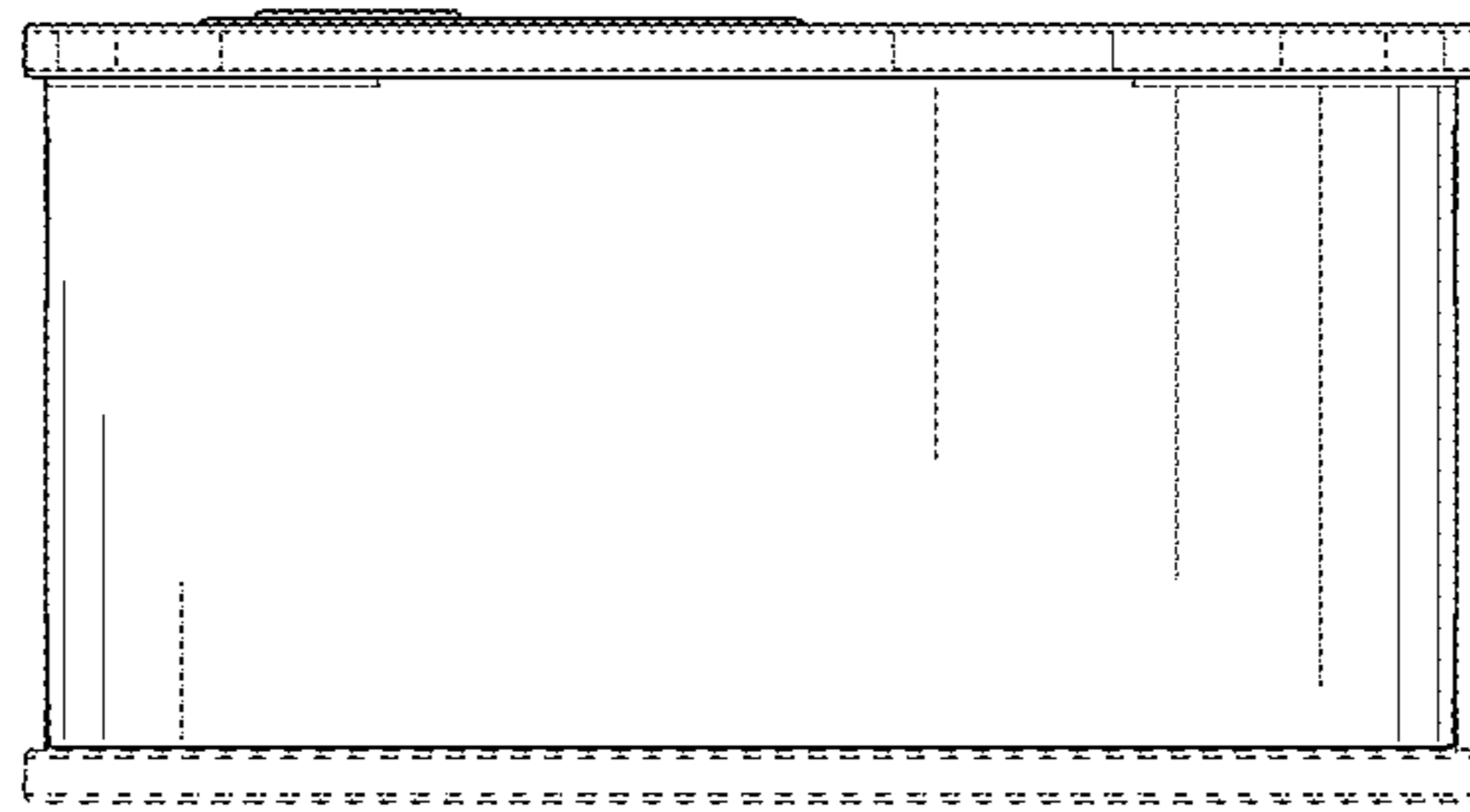


FIG. 4

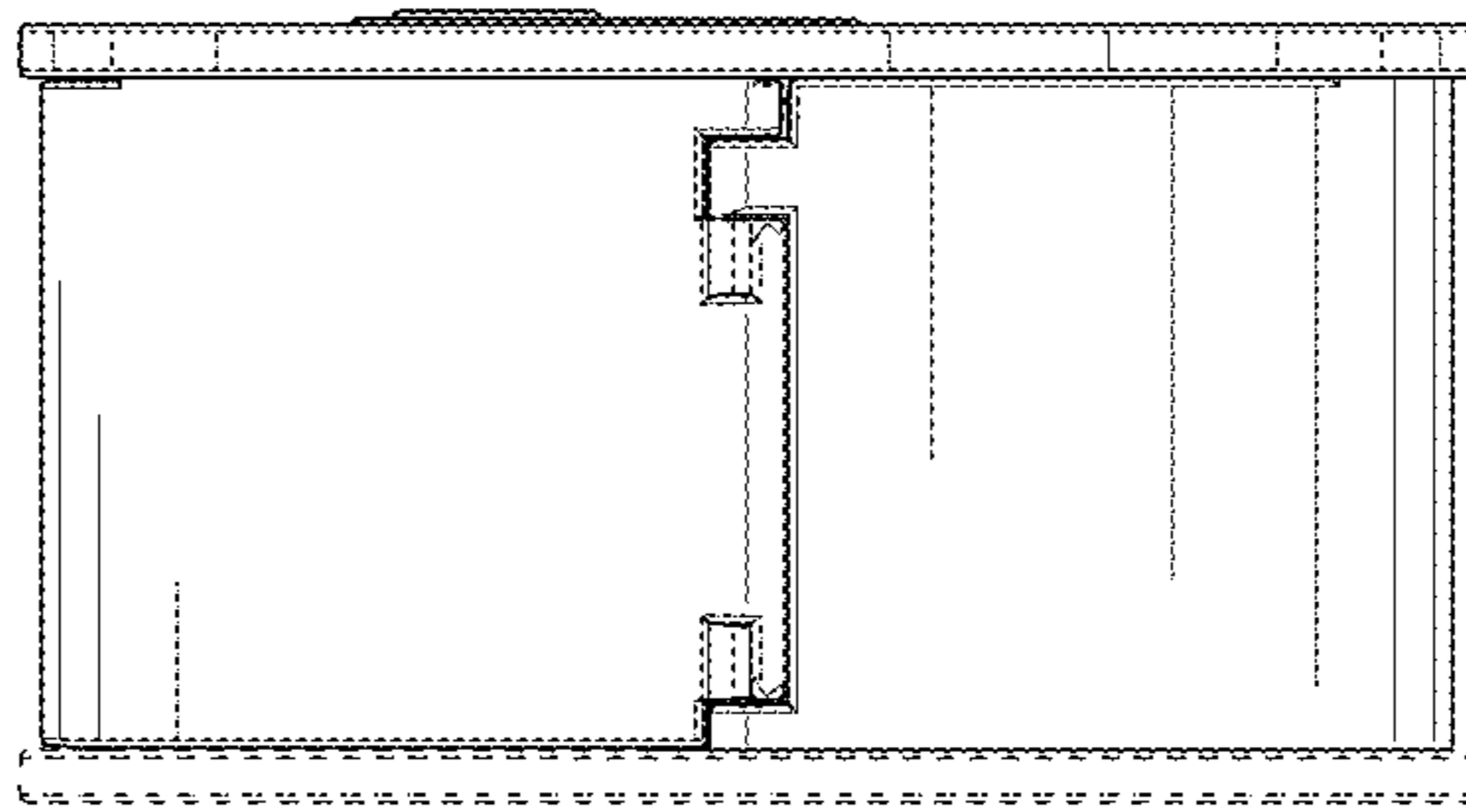


FIG. 5

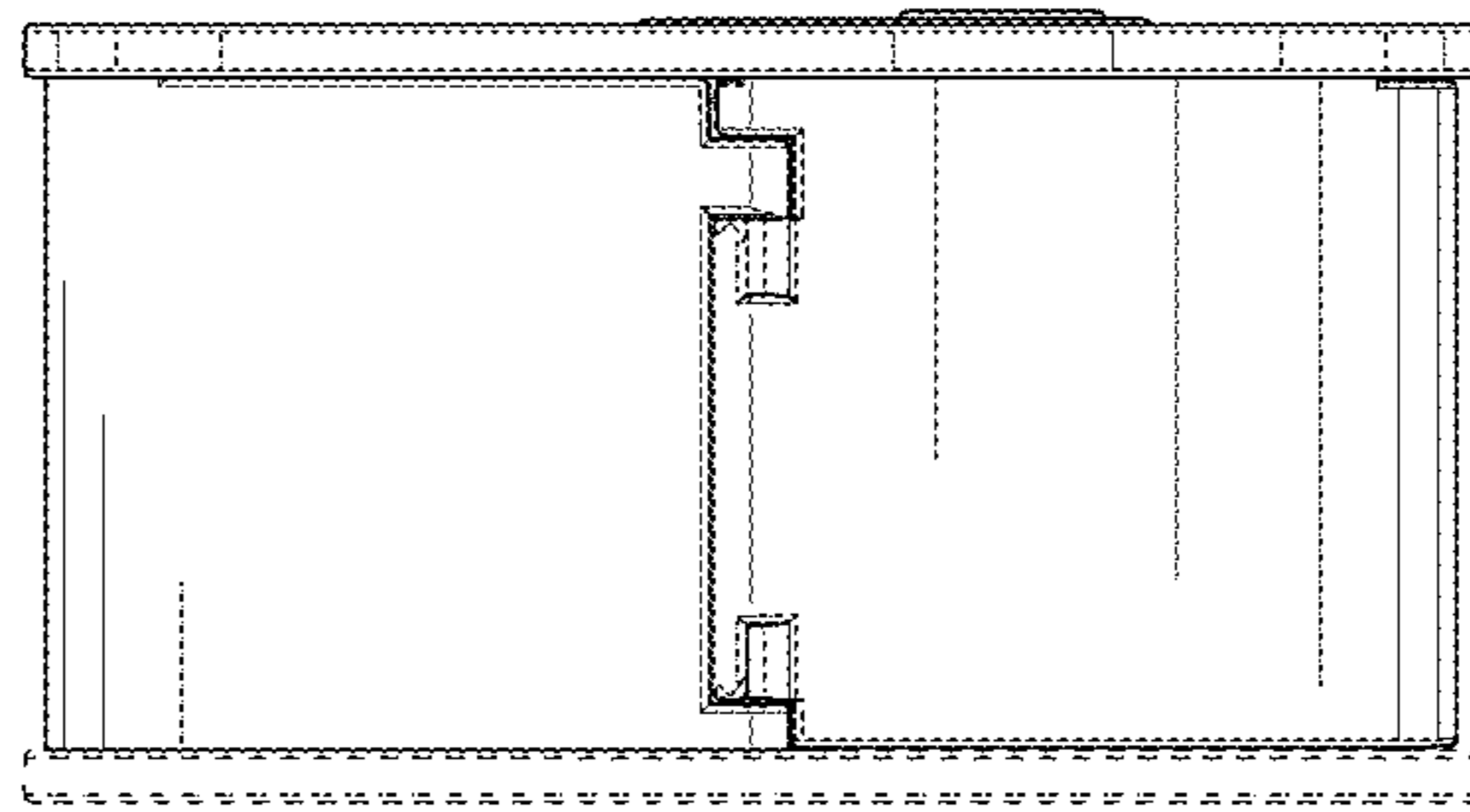


FIG. 6

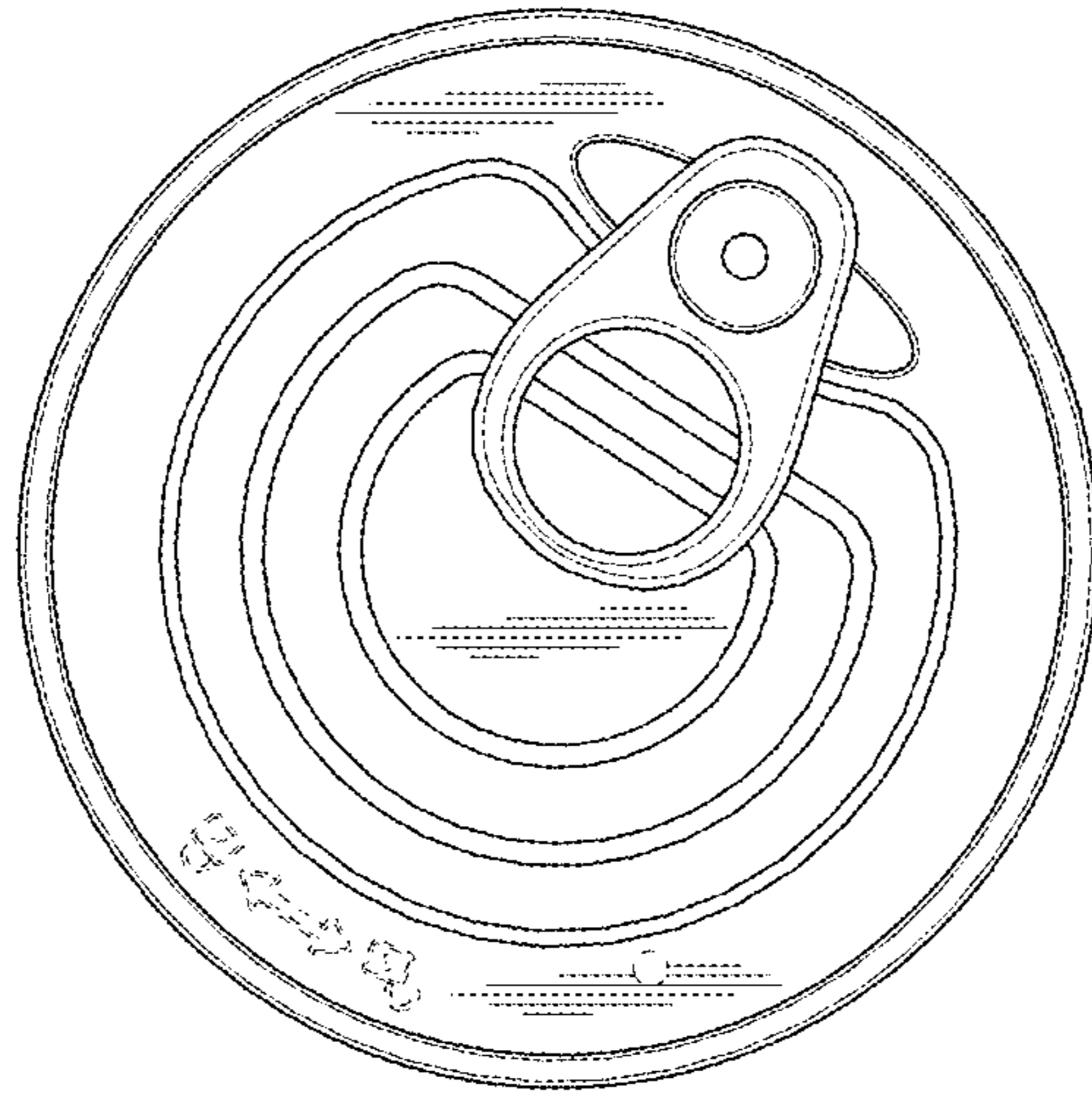


FIG. 7

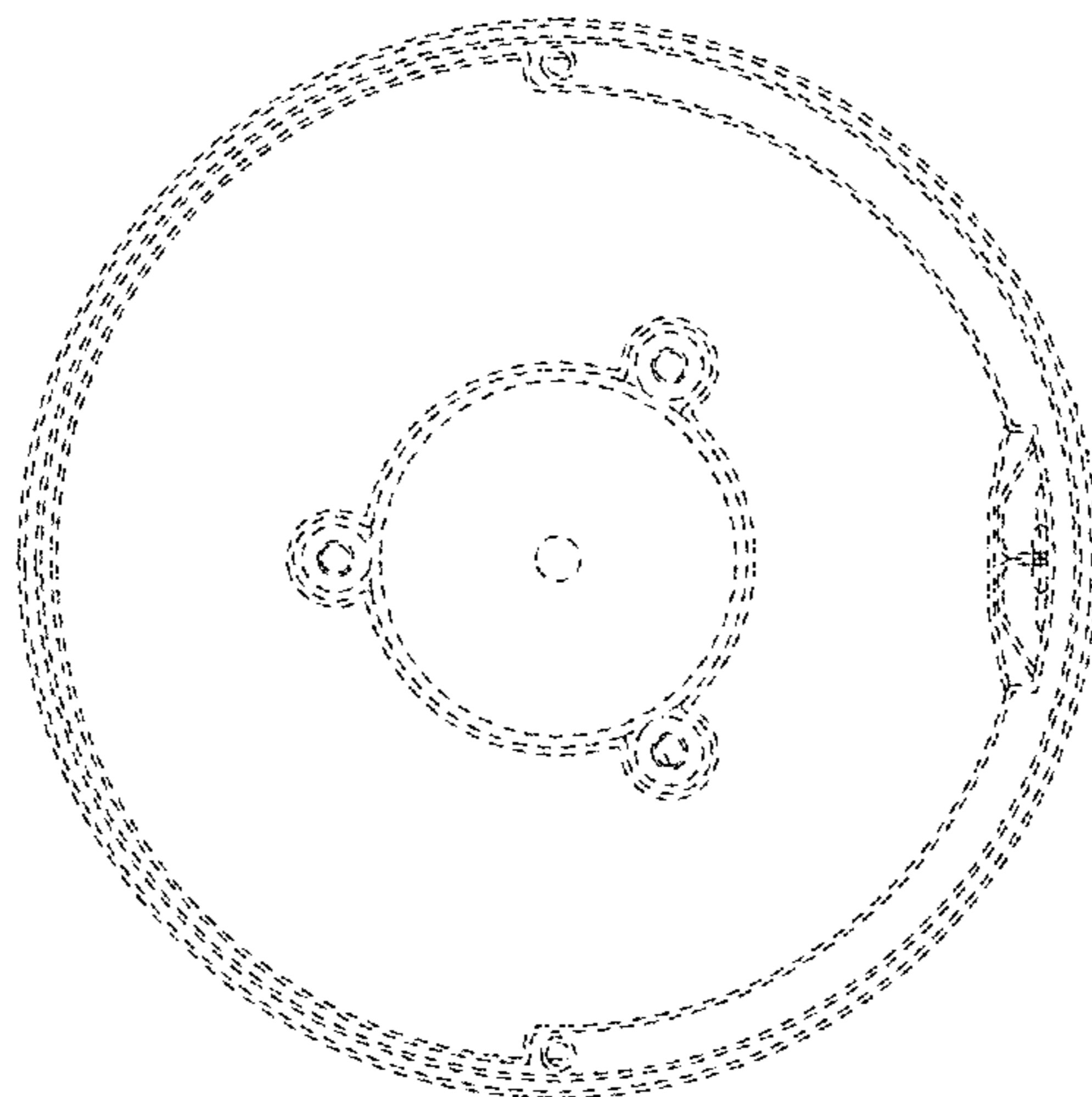


FIG. 8