



US00D926261S

(12) **United States Design Patent**
Jin et al.

(10) **Patent No.:** **US D926,261 S**
(45) **Date of Patent:** **** Jul. 27, 2021**

(54) **BALANCE SCOOTER**

(71) Applicant: **Ninebot (Beijing) Tech Co., Ltd.**,
Beijing (CN)

(72) Inventors: **Zheng Jin**, Beijing (CN); **Lei Liu**,
Beijing (CN)

(73) Assignee: **Ninebot (Beijing) Tech Co., Ltd.**,
Beijing (CN)

(**) Term: **15 Years**

(21) Appl. No.: **29/716,564**

(22) Filed: **Dec. 10, 2019**

(30) **Foreign Application Priority Data**

Jun. 12, 2019 (CN) 201930302758.4

(51) **LOC (13) Cl.** **21-01**

(52) **U.S. Cl.**
USPC **D21/423**

(58) **Field of Classification Search**
USPC D21/419, 421, 423, 432, 435, 760, 763,
D21/765, 771; D12/1, 110
CPC B62K 3/002; B62K 9/00; B62K 2202/00;
B62K 15/00; B62K 2015/001; B62K
2015/003; B60Y 2200/126
See application file for complete search history.

(56) **References Cited**

U.S. PATENT DOCUMENTS

D551,592 S * 9/2007 Chang D12/1
D551,722 S * 9/2007 Chang B62K 11/007
D12/1
D748,533 S * 2/2016 Collins D12/1
D774,600 S * 12/2016 Tao D21/421
D793,905 S * 8/2017 Liu D12/1
D795,134 S * 8/2017 Liu D12/1
D806,177 S * 12/2017 Liu D21/423
D816,119 S * 4/2018 Pu D15/1
D834,650 S * 11/2018 Li D14/223

D835,544 S * 12/2018 Liu D12/1
D836,728 S * 12/2018 Liu D21/423
D837,855 S * 1/2019 Chen D15/199
D848,536 S * 5/2019 Lee D21/423

* cited by examiner

Primary Examiner — Cynthia M. Chin

(74) *Attorney, Agent, or Firm* — Moore & Van Allen
PLLC; Henry B. Ward, III

(57) **CLAIM**

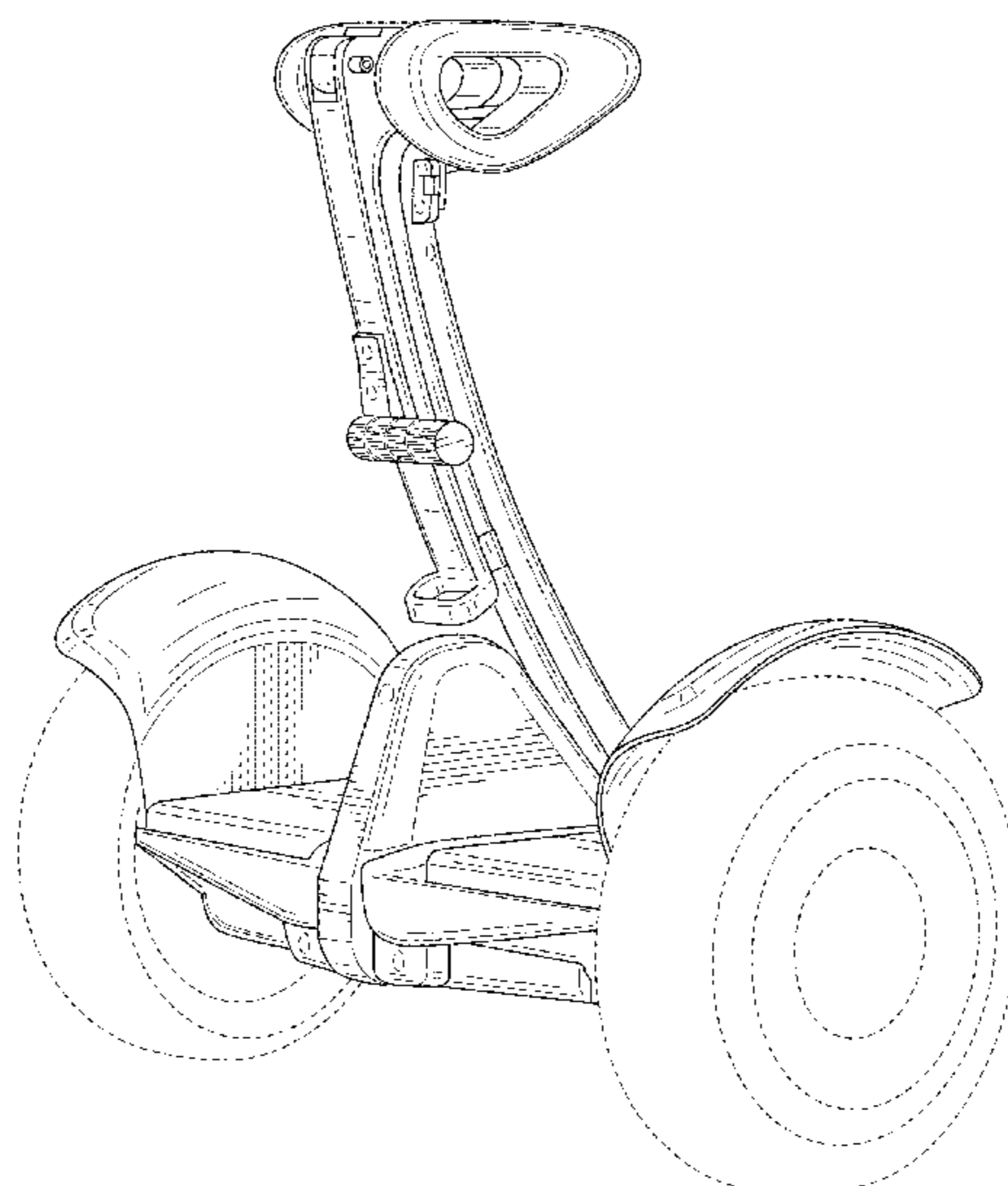
The ornamental design for a balance scooter, as shown and described.

DESCRIPTION

FIG. 1 is a rear, left-side perspective view of a balance scooter in which the display stand is in the retracted position and the clip-like member is closed;
FIG. 2 is a front, right-side perspective view of a balance scooter in which the extendible portion is in the extended position and the kick-stand is extended;
FIG. 3 is a front elevational view of the balance scooter shown in FIG. 1;
FIG. 4 is a rear elevational view of the balance scooter shown in FIG. 1;
FIG. 5 is a left-side elevational view of the balance scooter shown in FIG. 1;
FIG. 6 is a right-side elevational view of the balance scooter shown in FIG. 1;
FIG. 7 is a top plan view of the balance scooter shown in FIG. 1; and,
FIG. 8 is a bottom plan view of the balance scooter shown in FIG. 1.

The broken lines shown are included for the purpose of illustrating portions of the article which form no part of the claimed design. In addition, the surface shading, if any, illustrated in the drawings is provided merely to highlight the contour of the design; it is not intended to be illustrative of texture or gloss.

1 Claim, 7 Drawing Sheets



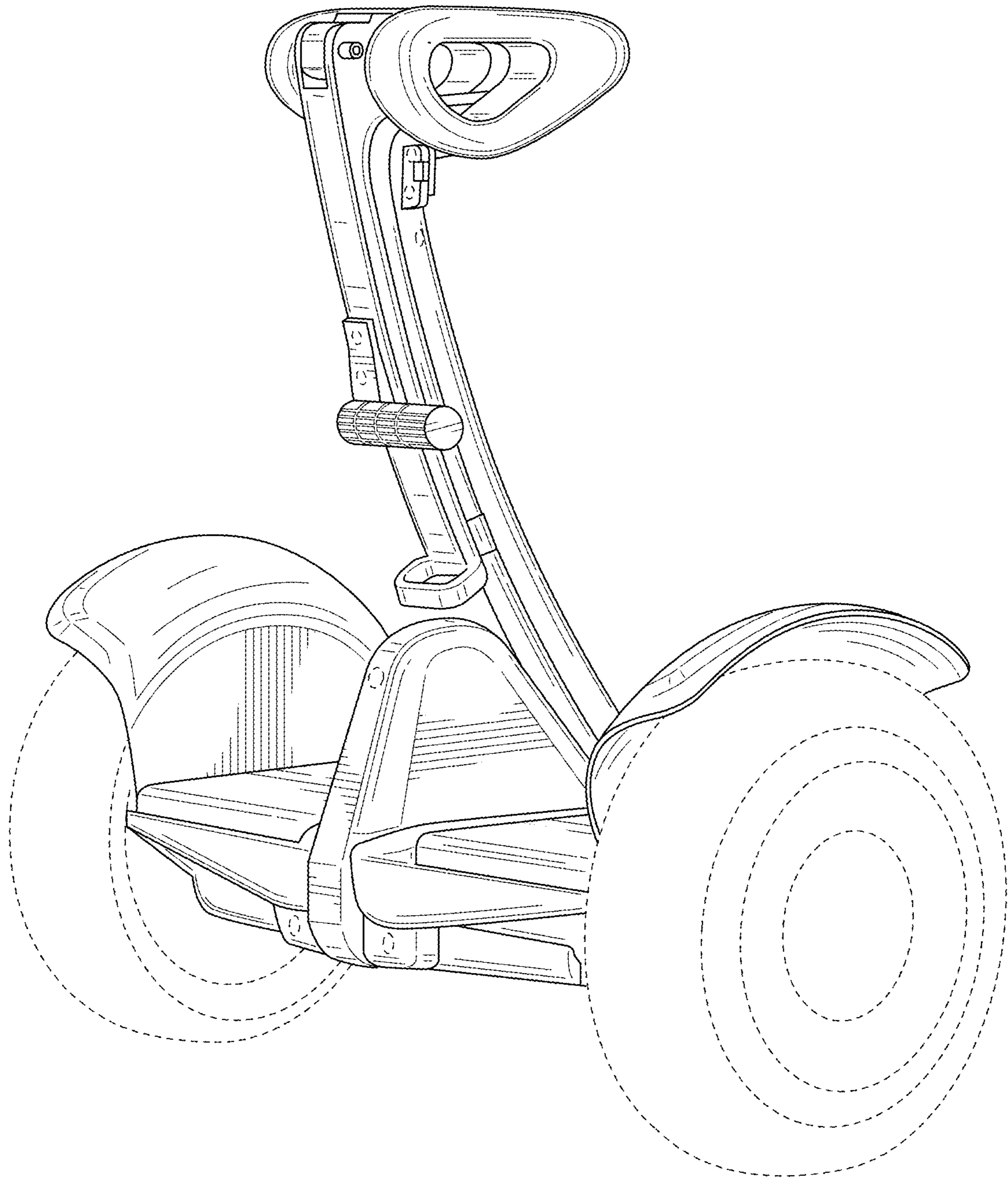


FIG. 1

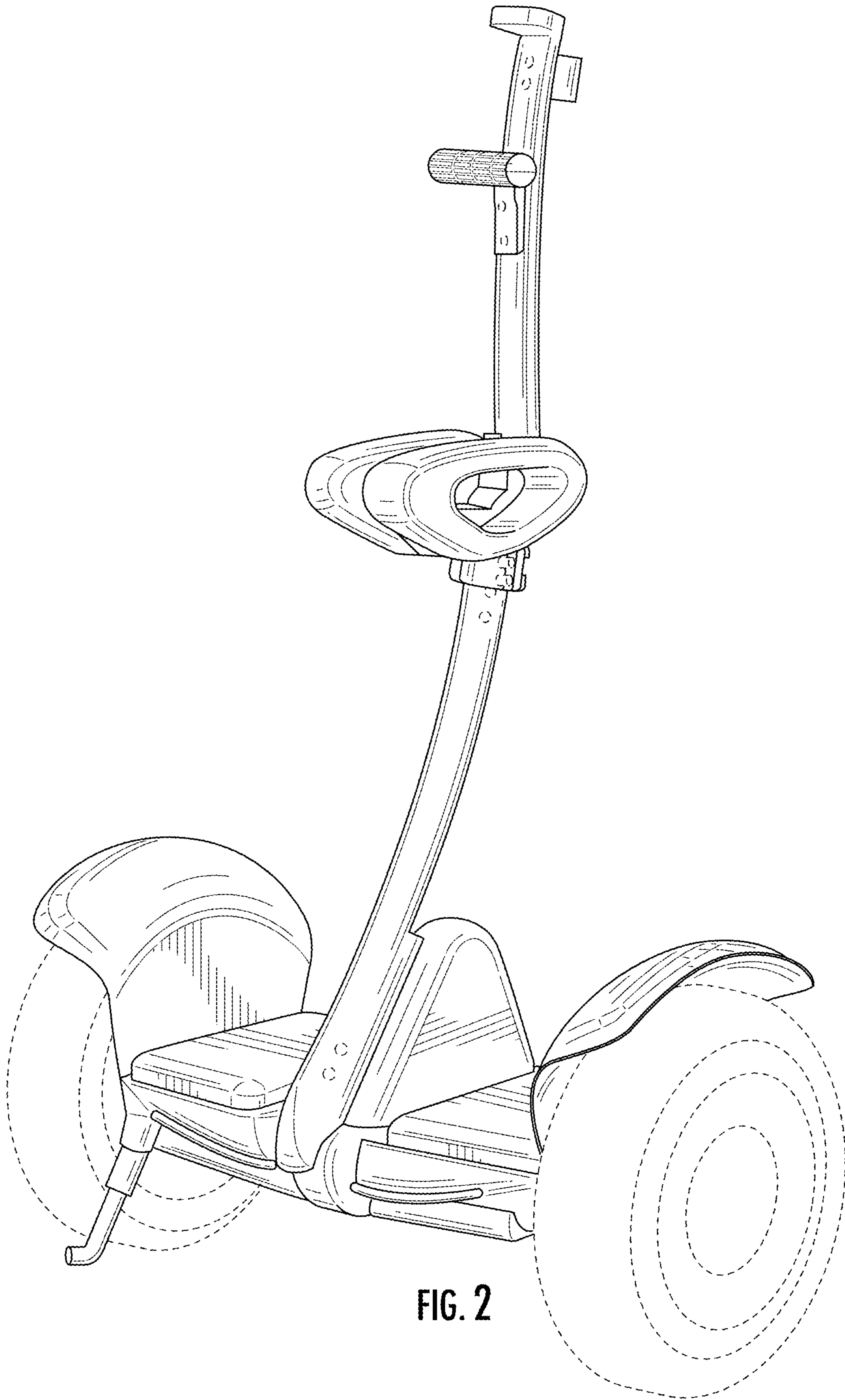


FIG. 2

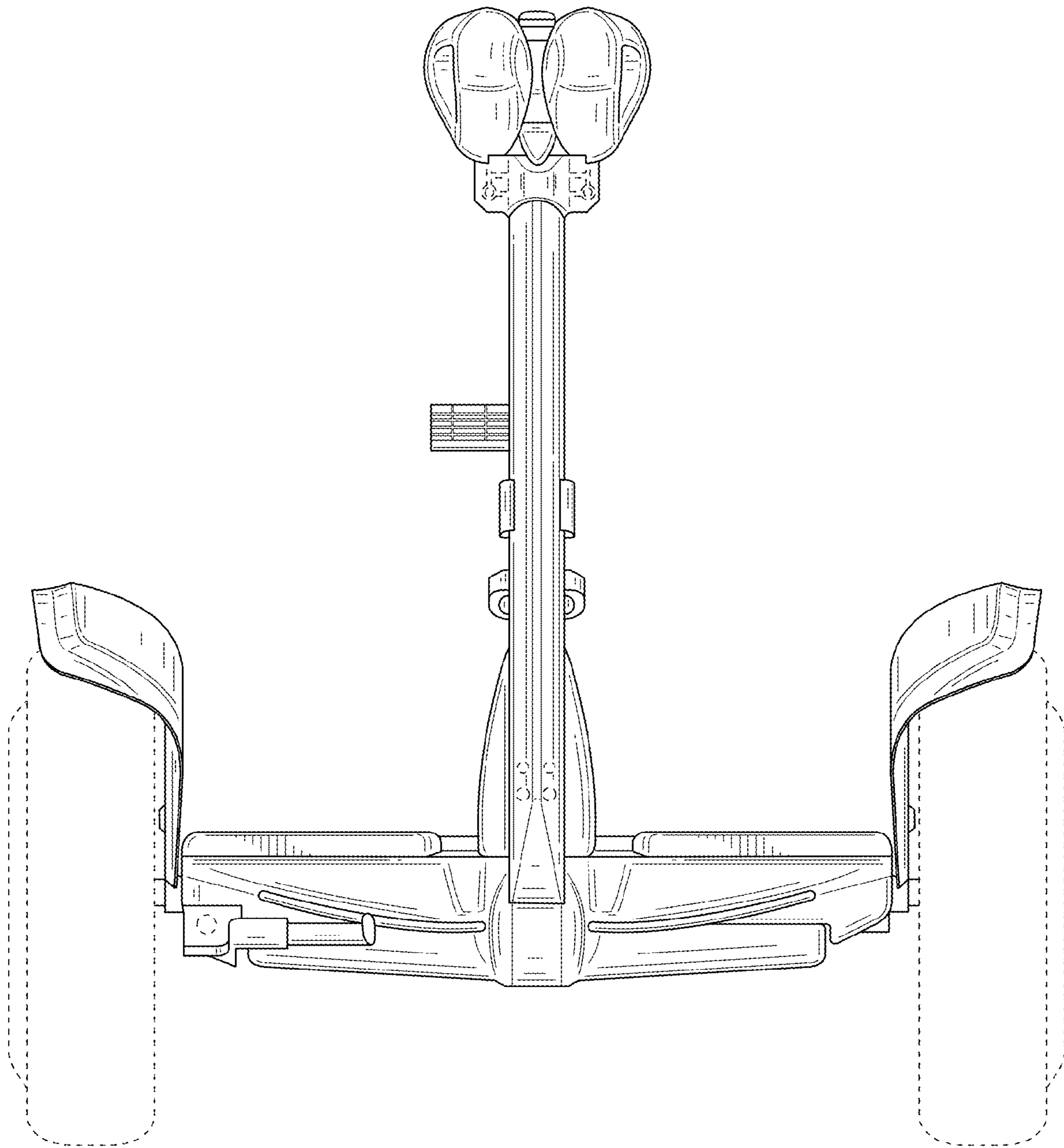


FIG. 3

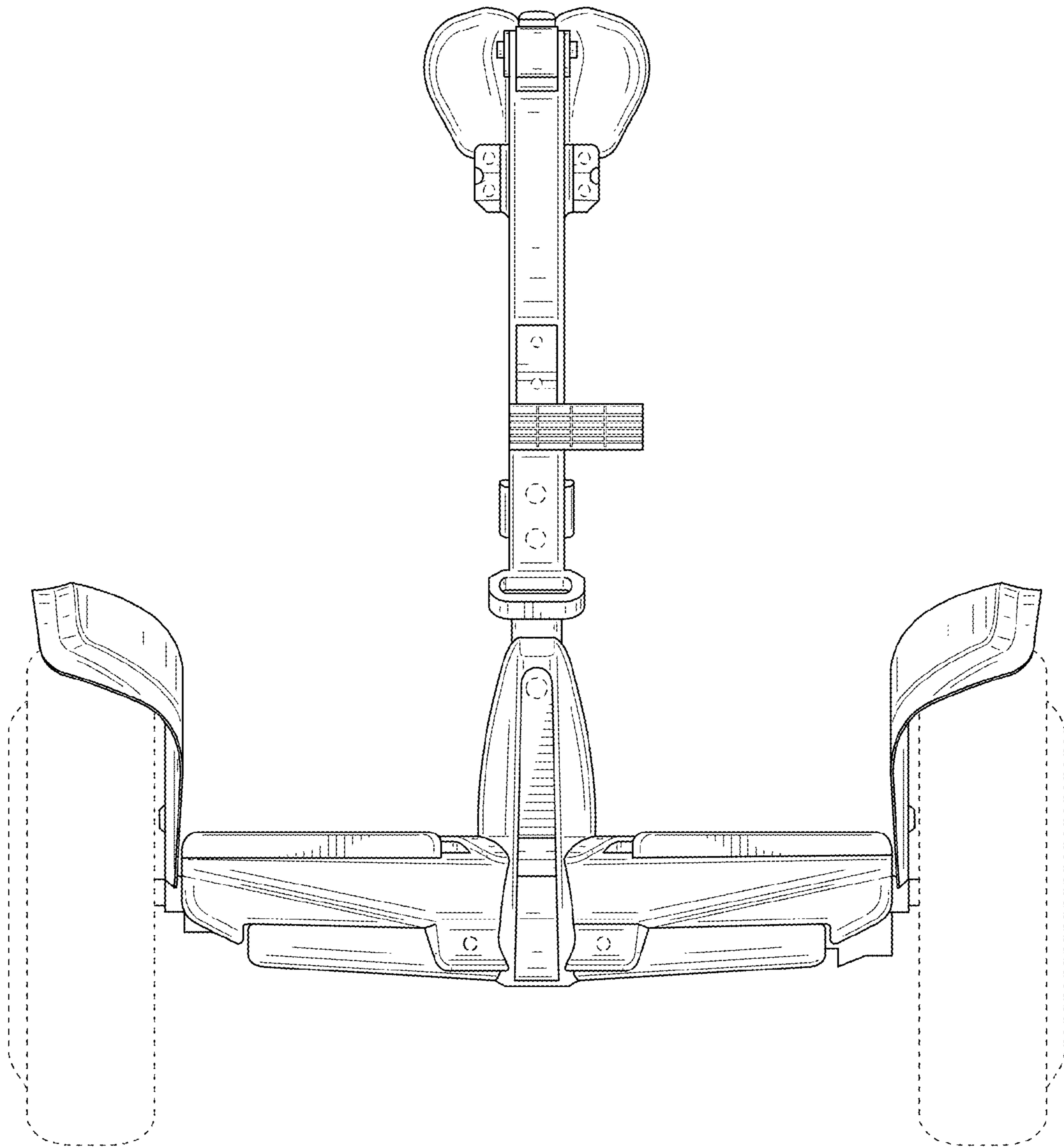


FIG. 4

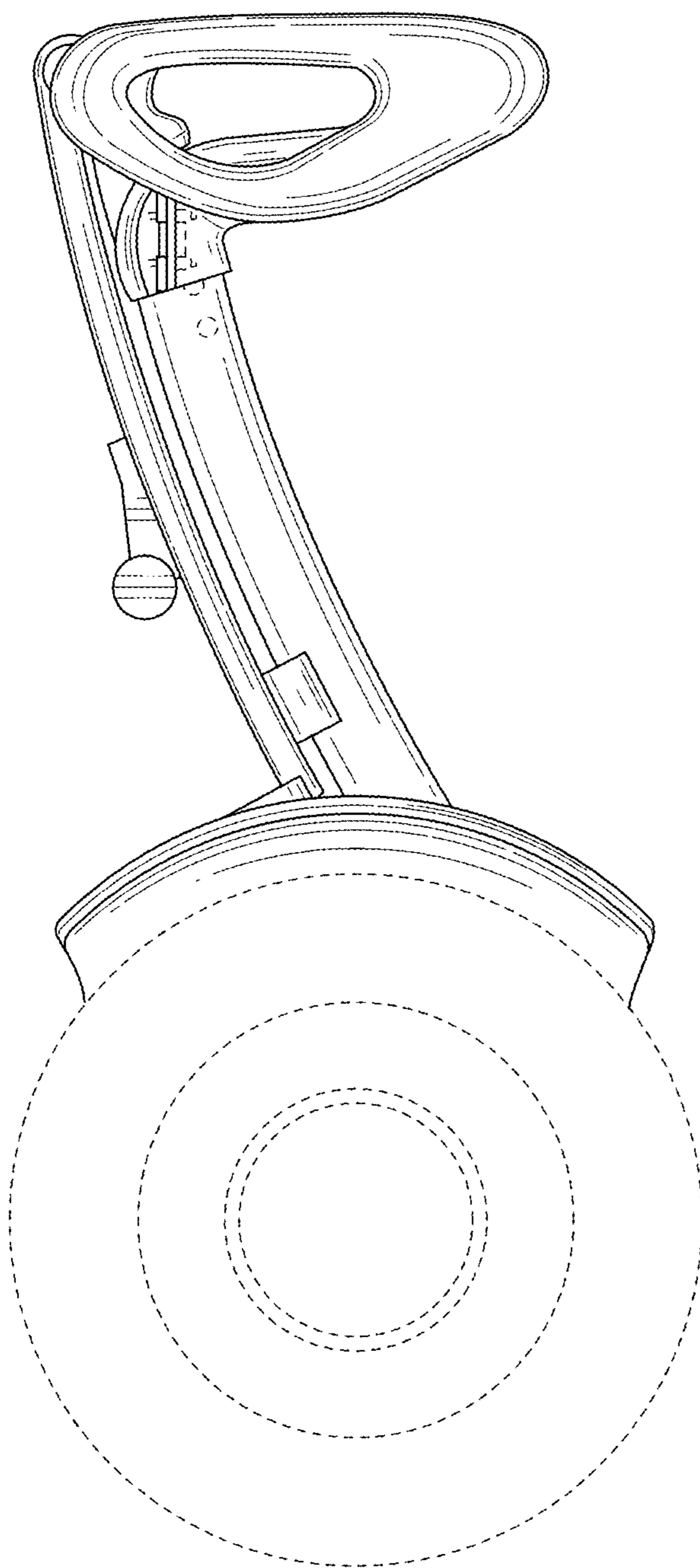


FIG. 5

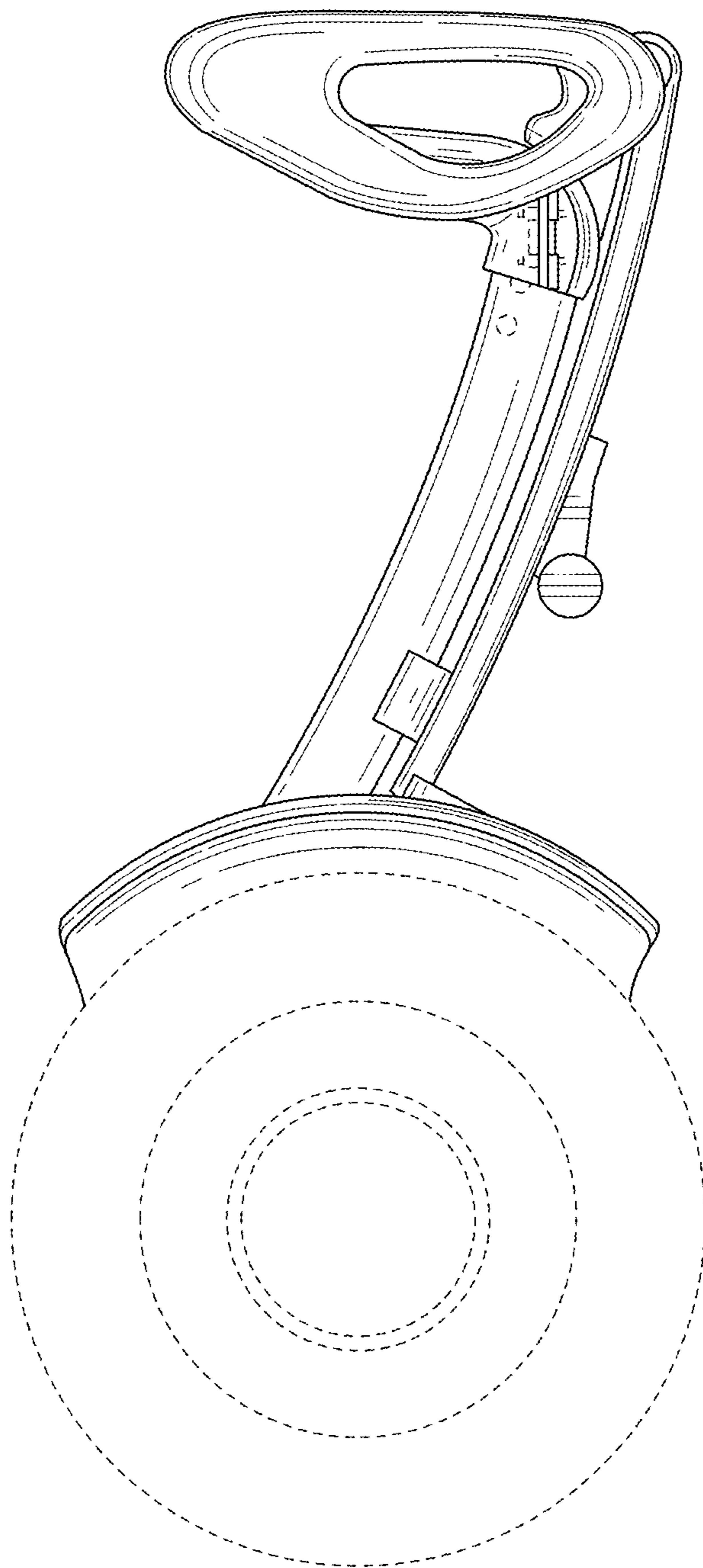


FIG. 6

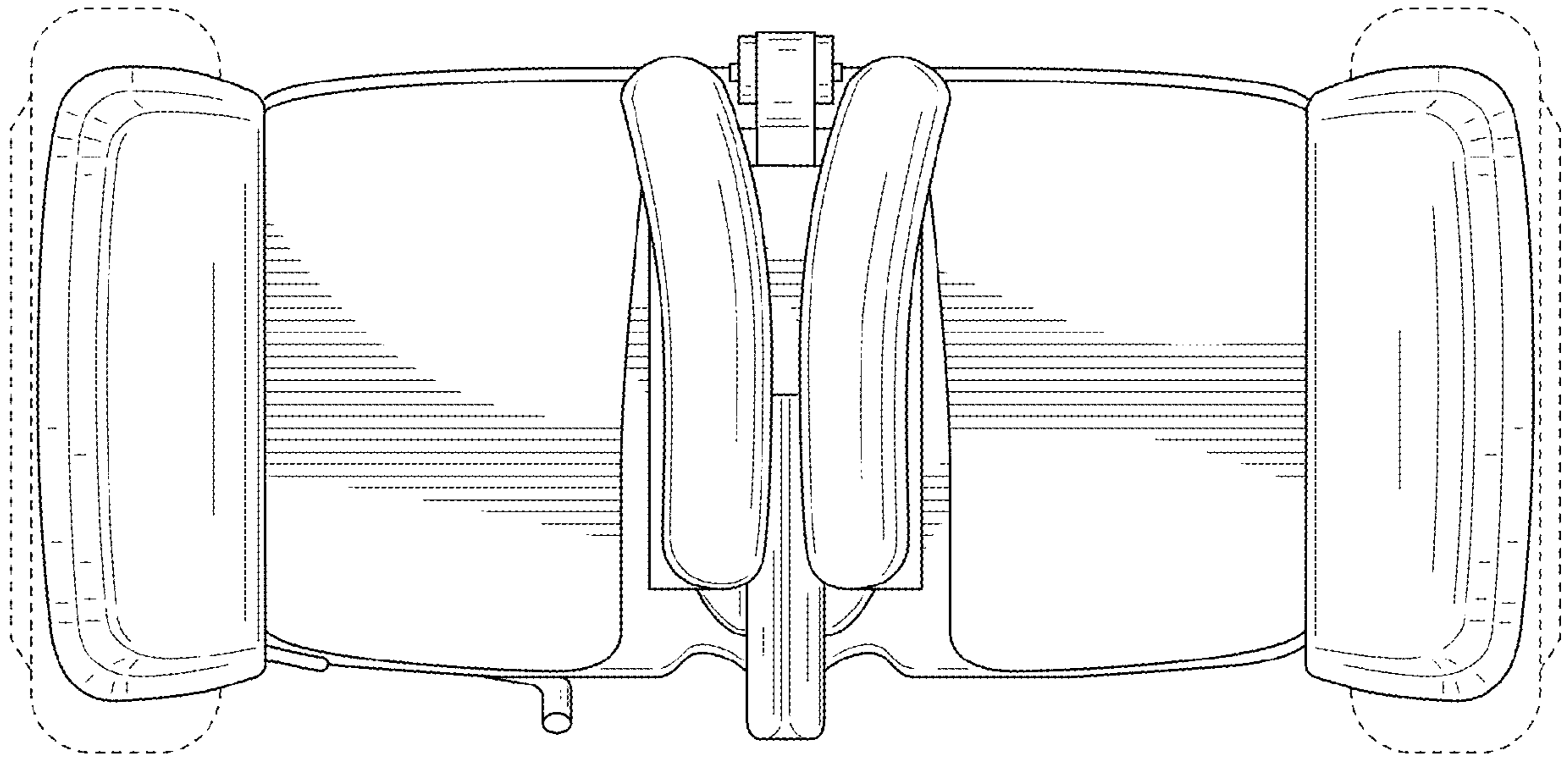


FIG. 7

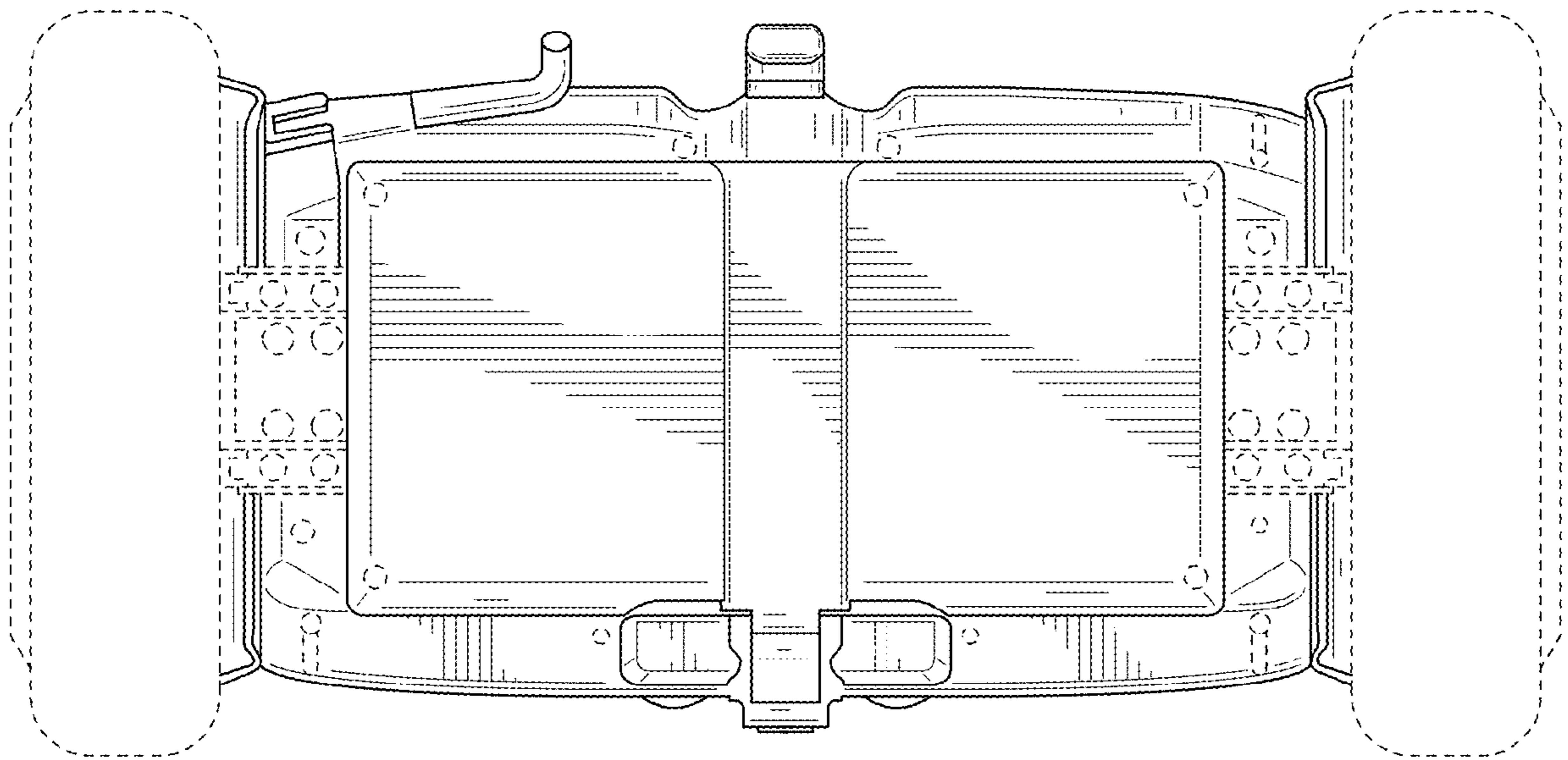


FIG. 8