



US00D926251S

(12) **United States Design Patent**
Liu et al.

(10) **Patent No.:** **US D926,251 S**
(45) **Date of Patent:** **** Jul. 27, 2021**

(54) **POS BASE HAVING A SUPPORT**

(71) Applicant: **FLYTECH TECHNOLOGY CO., LTD**, Taipei (TW)

(72) Inventors: **Yun-Ping Liu**, Taipei (TW);
Chiung-Yin Huang, Taipei (TW)

(73) Assignee: **FLYTECH TECHNOLOGY CO., LTD**, Taipei (TW)

(**) Term: **15 Years**

(21) Appl. No.: **29/695,420**

(22) Filed: **Jun. 19, 2019**

(30) **Foreign Application Priority Data**

May 24, 2019 (TW) 108303049

(51) **LOC (13) Cl.** **18-01**

(52) **U.S. Cl.**

USPC **D18/12; D14/434**

(58) **Field of Classification Search**

USPC D18/4.4, 4.5, 4.6, 2, 12, 12.3; D14/300, D14/307, 314, 328, 332-340, 356, 383, D14/385, 386, 453, 496, 507, 509, 510, D14/168, 299, 447, 457, 126, 129, 371, D14/125, 376, 216, 900, 902

CPC G07F 7/0873; G07F 7/088; G07F 7/0886; G07F 7/0893; G07F 7/025; G06F 1/1632; G06Q 20/00; G06Q 20/08; G06Q 20/18; G06Q 20/20; G06Q 20/204

See application file for complete search history.

(56) **References Cited**

U.S. PATENT DOCUMENTS

D323,085 S * 1/1992 Konkel 248/158

D409,018 S * 5/1999 Deuschle D14/451

D454,136 S * 3/2002 Deuschle D14/447

D456,415 S * 4/2002 Deuschle D14/447

D508,916 S * 8/2005 Lee D14/434

D539,273 S * 3/2007 Fujii D14/239

D547,755 S * 7/2007 Wang D14/239

D563,693 S * 3/2008 Calleja D6/682

D589,964 S * 4/2009 Heggland D14/434

D591,290 S * 4/2009 Park D14/371

D614,613 S * 4/2010 Kim D14/253

D619,996 S * 7/2010 Demskie D14/218

D624,062 S * 9/2010 Kasuga D14/239

(Continued)

FOREIGN PATENT DOCUMENTS

TW 586511 U * 11/2019

OTHER PUBLICATIONS

HP Engage Go Mobile System—Datasheet. (Online) 4 pgs. Nov. 2018. [Retrieved May 10, 2021] <https://h20195.www2.hp.com/v2/GetPDF.aspx/4aa7-3687eee.pdf>.*

Primary Examiner — Marie D. Fast Horse
(74) *Attorney, Agent, or Firm* — WPAT, PC

(57) **CLAIM**

The ornamental design for POS base having a support, as shown and described in the drawings.

DESCRIPTION

FIG. 1 is a perspective view of the POS base having a support showing our new design.

FIG. 2 is a front view thereof;

FIG. 3 is a back view thereof;

FIG. 4 is a left view thereof;

FIG. 5 is a right view thereof;

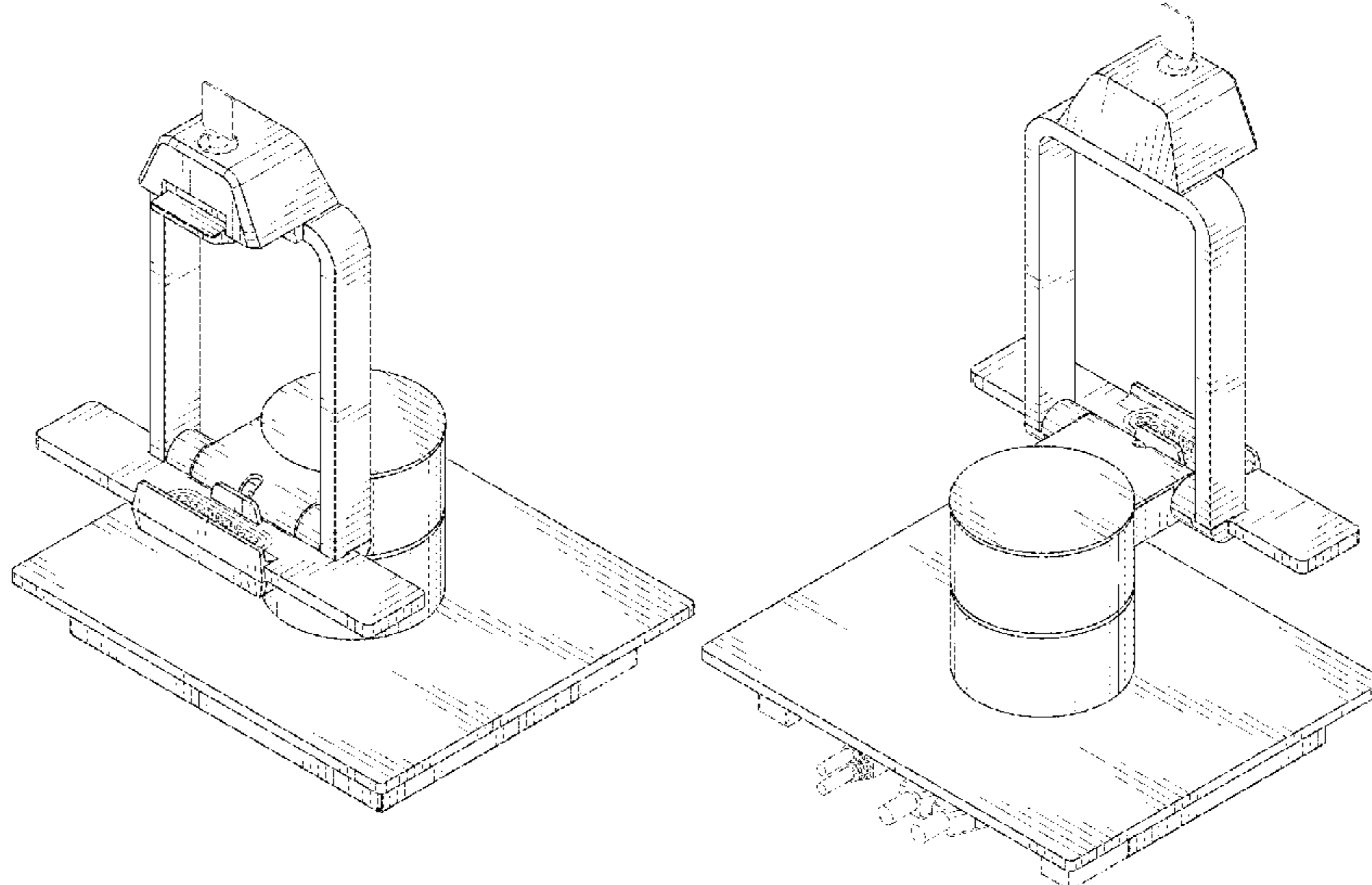
FIG. 6 is a top view thereof;

FIG. 7 is a bottom view thereof; and,

FIG. 8 is another perspective view thereof.

The broken lines showing the cable portions depict environment only and form no part of the claim, while all other broken lines depict portions of the POS base having a support that form no part of the claimed design.

1 Claim, 8 Drawing Sheets



(56)

References Cited

U.S. PATENT DOCUMENTS

D624,063 S * 9/2010 Kasuga D14/239
 D625,302 S * 10/2010 Kasuga D14/239
 D653,245 S * 1/2012 Buzzard D14/239
 D655,279 S * 3/2012 Buzzard D14/239
 D660,293 S * 5/2012 Itou D14/239
 D670,703 S * 11/2012 Hasbrook D14/447
 D675,212 S * 1/2013 Chen D14/447
 D687,832 S * 8/2013 Edwards D14/447
 D703,676 S * 4/2014 Smith D14/447
 D707,230 S * 6/2014 Castronovo D14/447
 D714,794 S * 10/2014 Quijano D14/447
 D720,000 S * 12/2014 Lyons D18/4.5
 D725,108 S * 3/2015 Yeon D14/376
 D735,802 S * 8/2015 Lyons D18/4.5
 D746,902 S * 1/2016 Lyons D18/4.5
 D761,350 S * 7/2016 Beatty D18/12
 D781,372 S * 3/2017 Floersch D18/12
 D788,113 S * 5/2017 Watanabe D14/434
 D792,414 S * 7/2017 Floersch D14/447
 D803,840 S * 11/2017 Burmester D14/447
 D829,725 S * 10/2018 Luo D14/447
 D831,107 S * 10/2018 Chen D18/12
 D831,667 S * 10/2018 Burmester D14/447
 D832,273 S * 10/2018 Burmester D14/447

D837,876 S * 1/2019 Lyons D18/4.5
 D844,046 S * 3/2019 Yeruva D18/4.5
 10,563,812 B2 * 2/2020 Chen G06F 1/1607
 D882,676 S * 4/2020 Sorio D18/4.4
 D884,711 S * 5/2020 Zhang D14/447
 D894,196 S * 8/2020 Wu D14/451
 D896,806 S * 9/2020 Zheng D14/307
 D898,017 S * 10/2020 Zhang D14/447
 D900,118 S * 10/2020 Barnard D14/447
 D902,217 S * 11/2020 Zhang D14/447
 D902,218 S * 11/2020 Lee D14/451
 D903,689 S * 12/2020 Zheng D14/447
 D904,387 S * 12/2020 Zhang D14/253
 D905,686 S * 12/2020 Zhang D14/253
 D906,344 S * 12/2020 Liu D14/447
 D907,029 S * 1/2021 Khubani D14/253
 D907,038 S * 1/2021 Yeruva D14/375
 D907,628 S * 1/2021 Feng D14/253
 D918,190 S * 5/2021 Hong D14/253
 D920,981 S * 6/2021 Zhang D14/434
 2014/0263884 A1 * 9/2014 Grziwok F16M 11/08
 248/176.3
 2015/0286252 A1 * 10/2015 Barone G06F 1/1632
 710/304
 2015/0292669 A1 * 10/2015 Floersch G06F 1/1626
 248/553

* cited by examiner

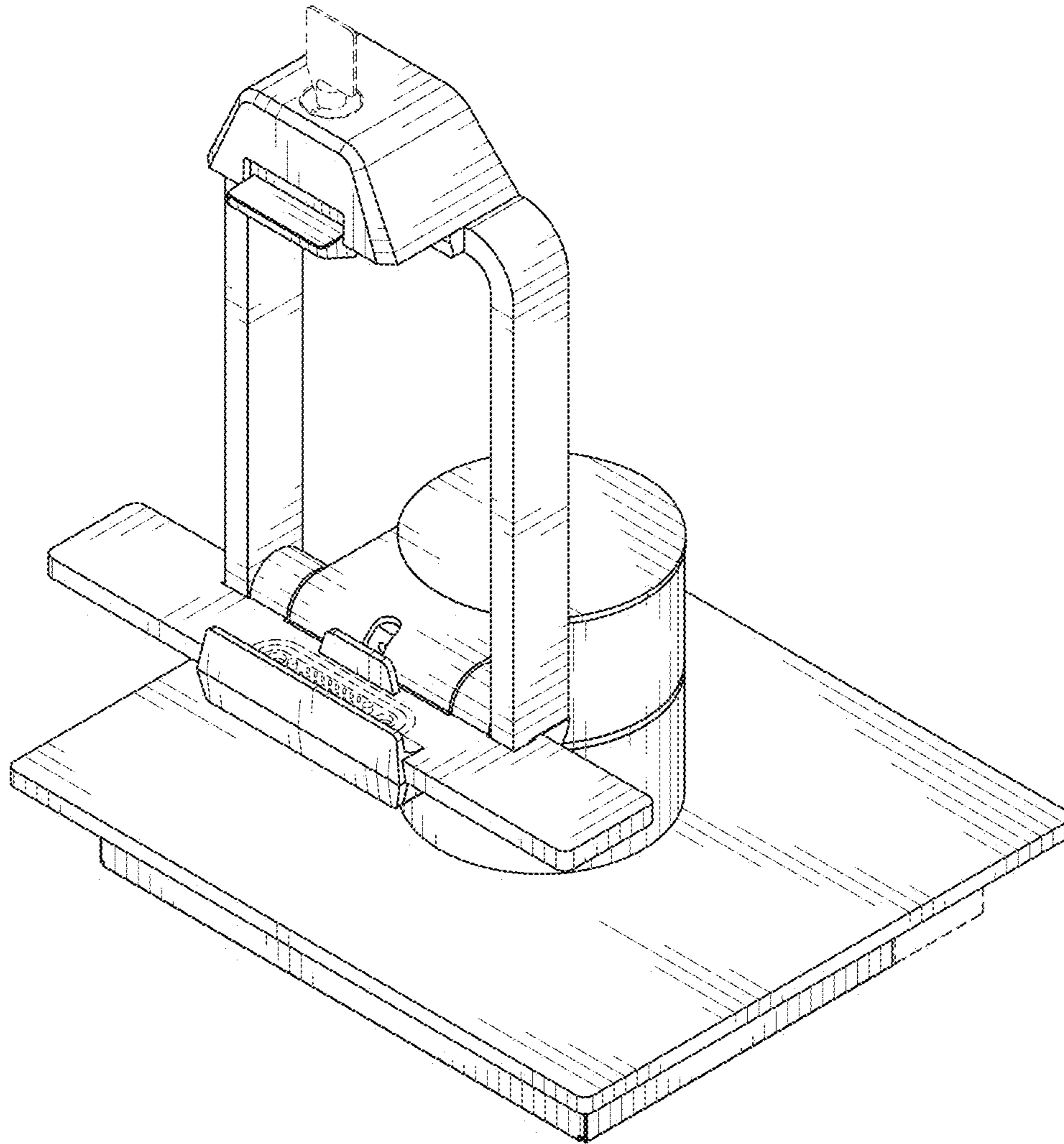


FIG. 1

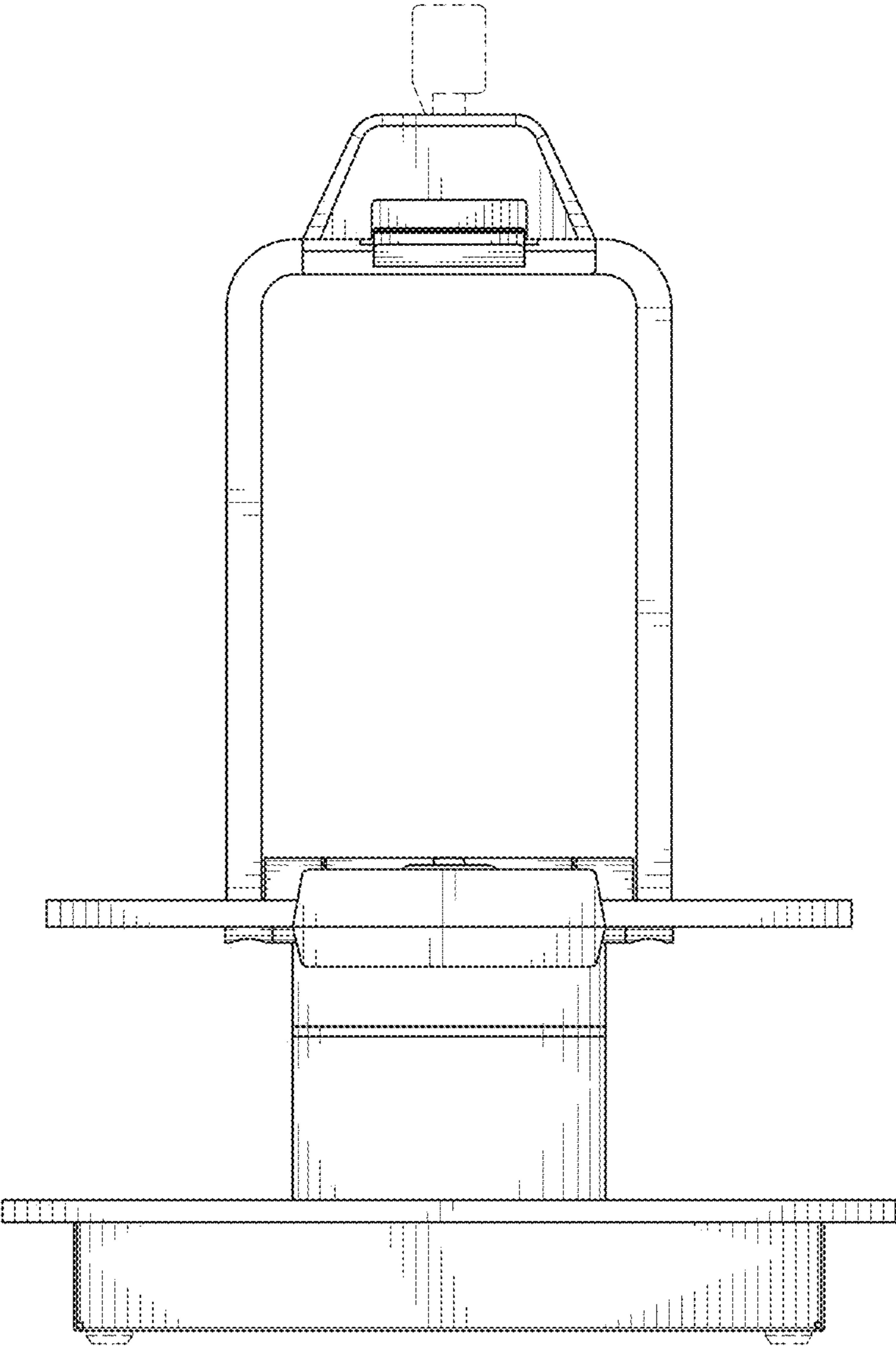


FIG. 2

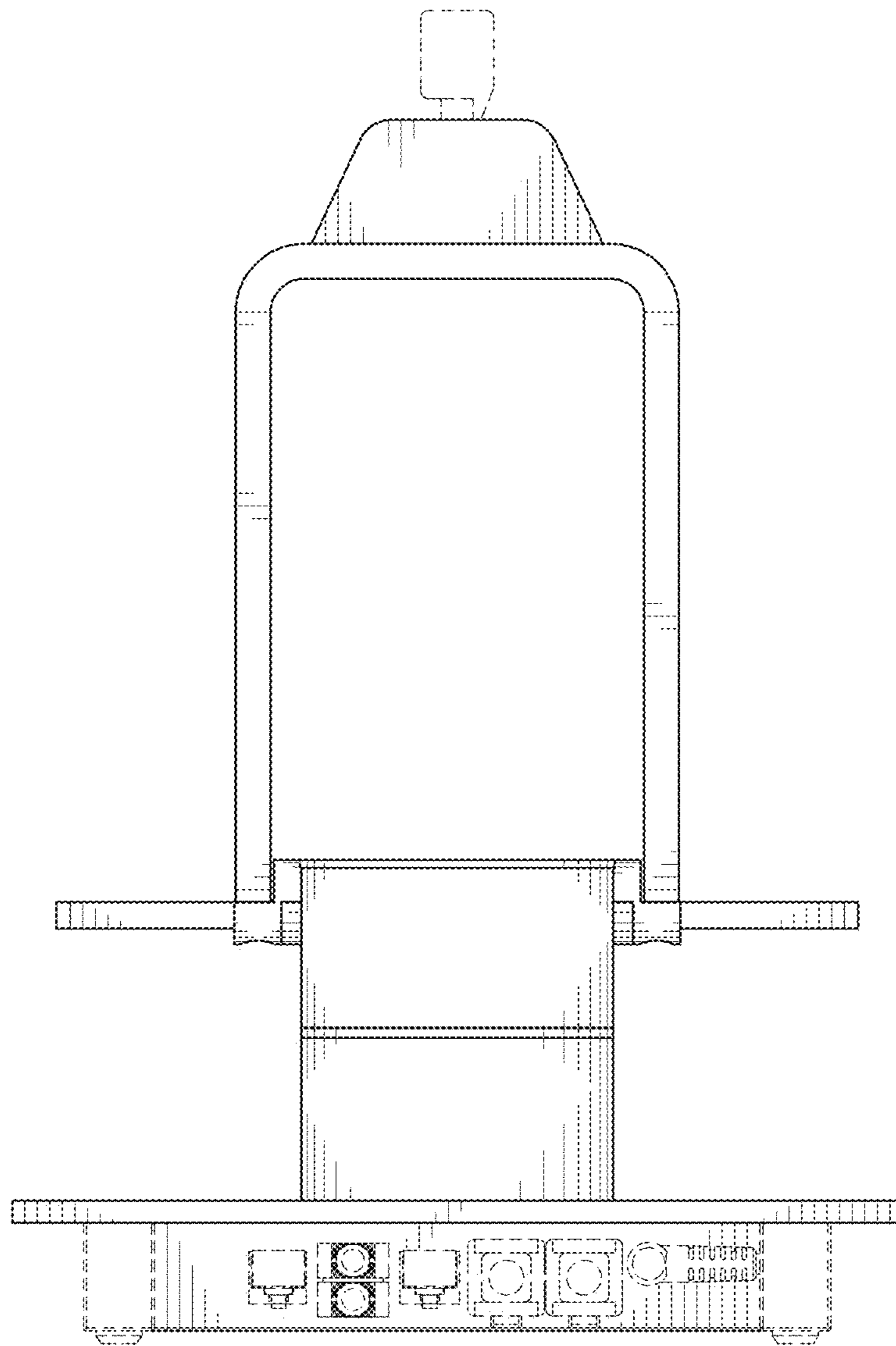


FIG. 3

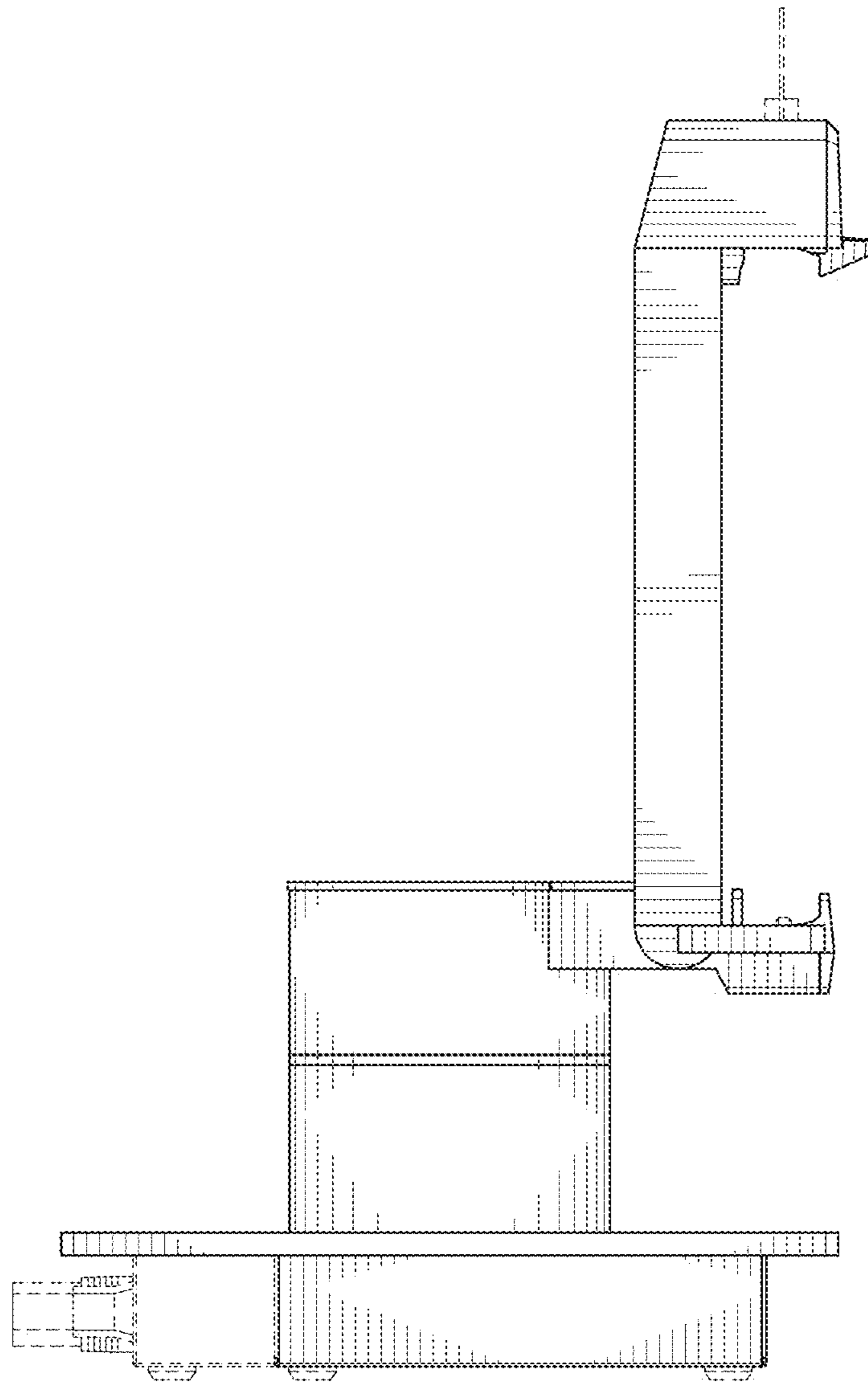


FIG. 4

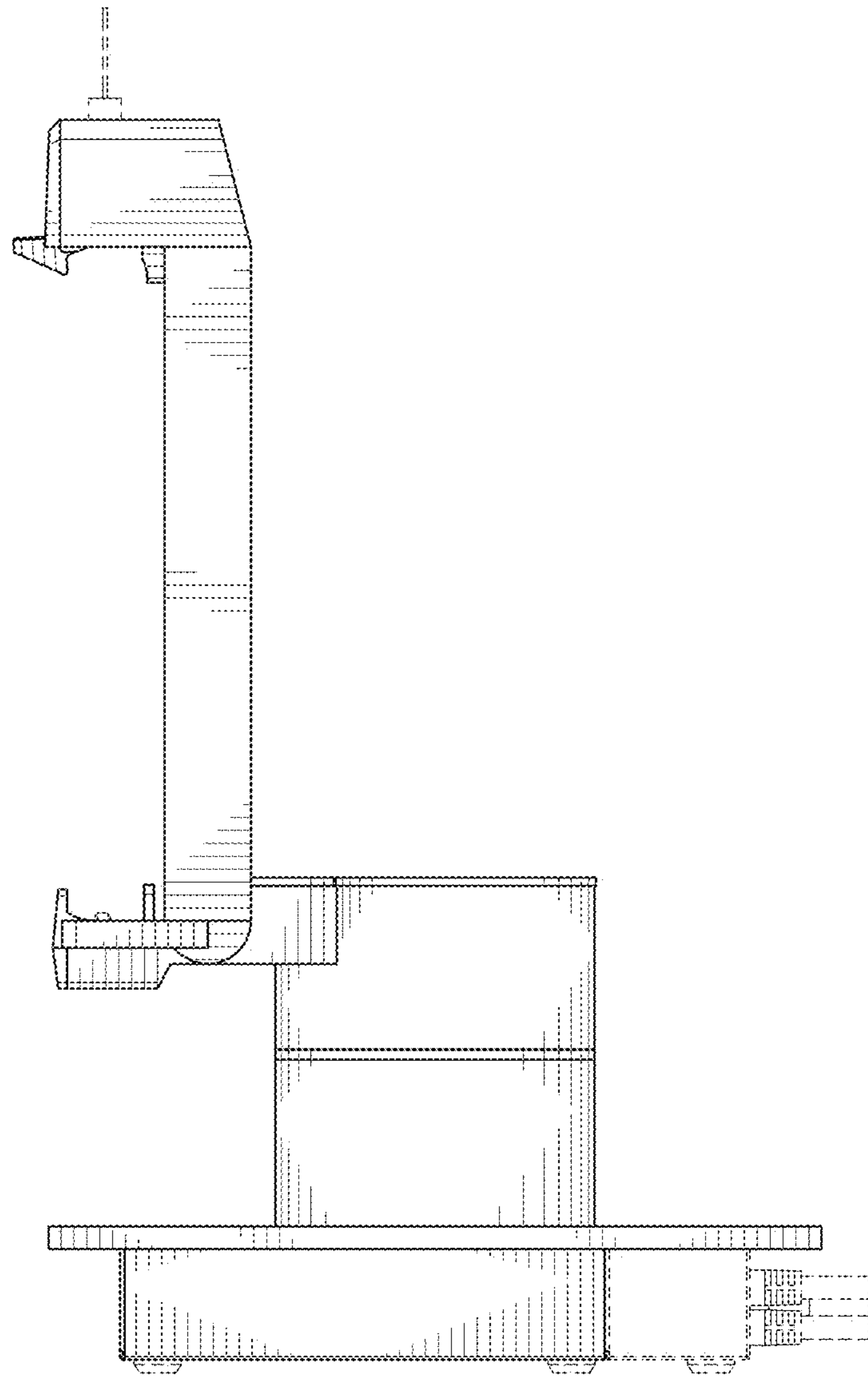


FIG. 5

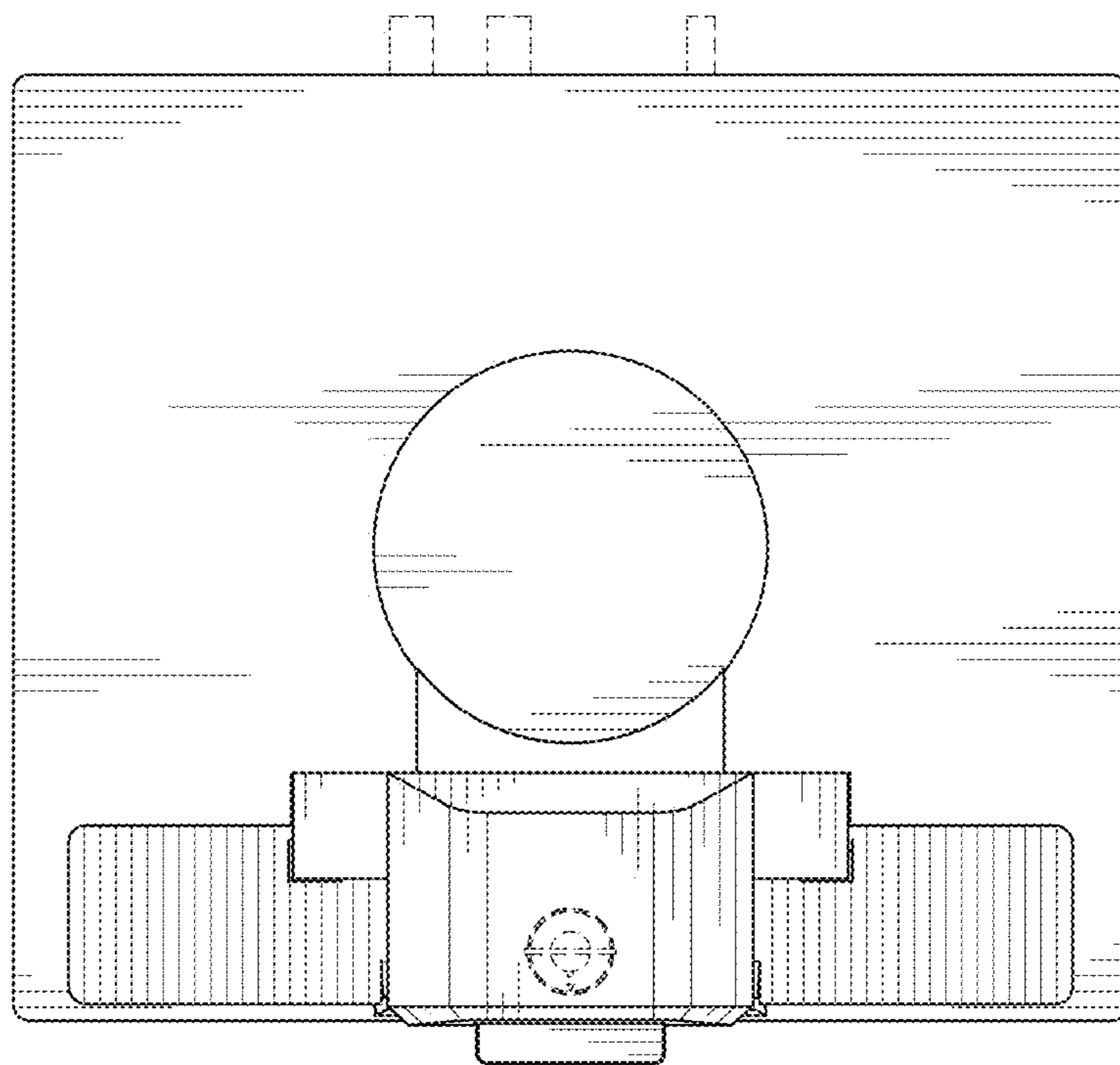


FIG. 6

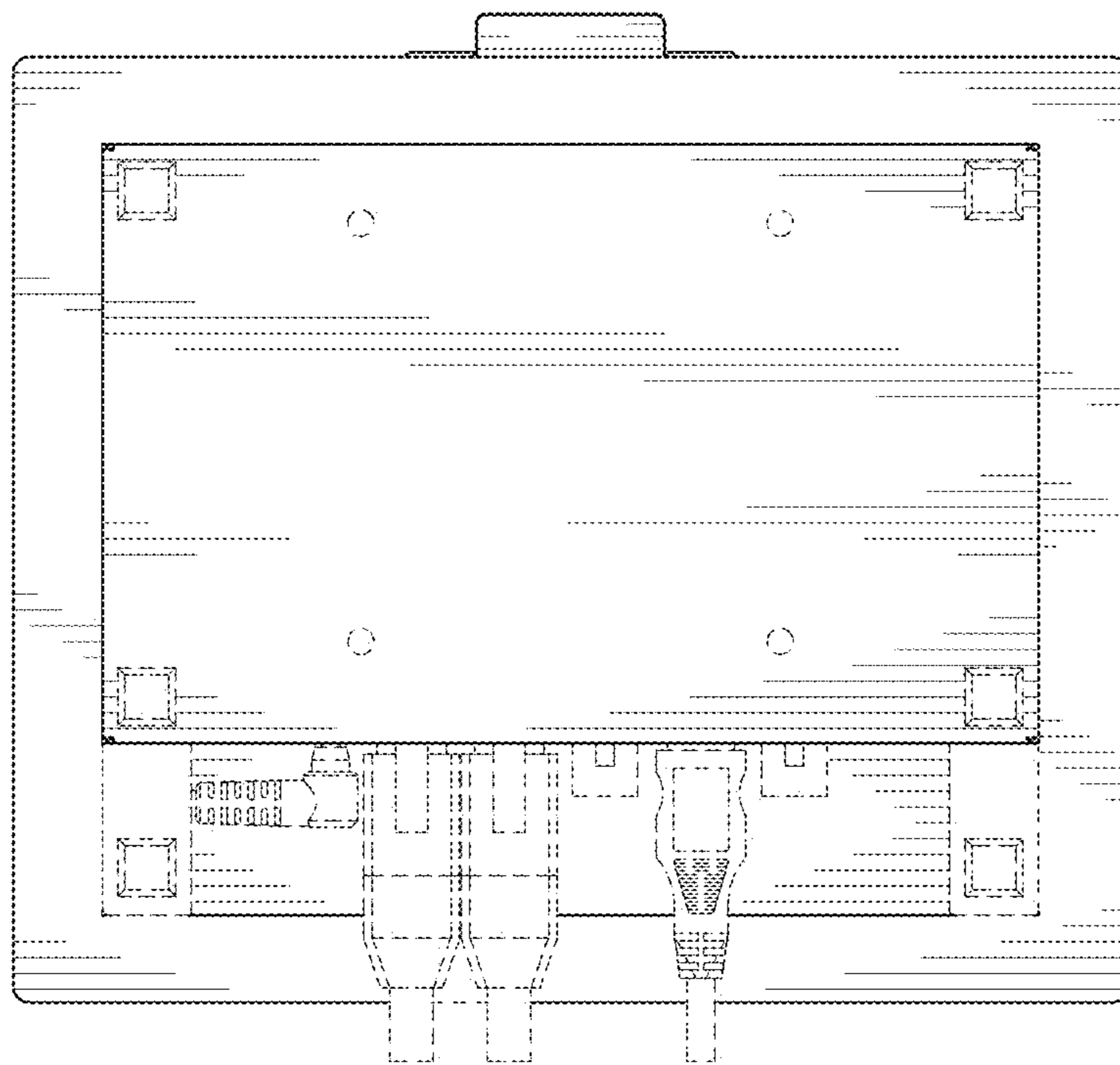


FIG. 7

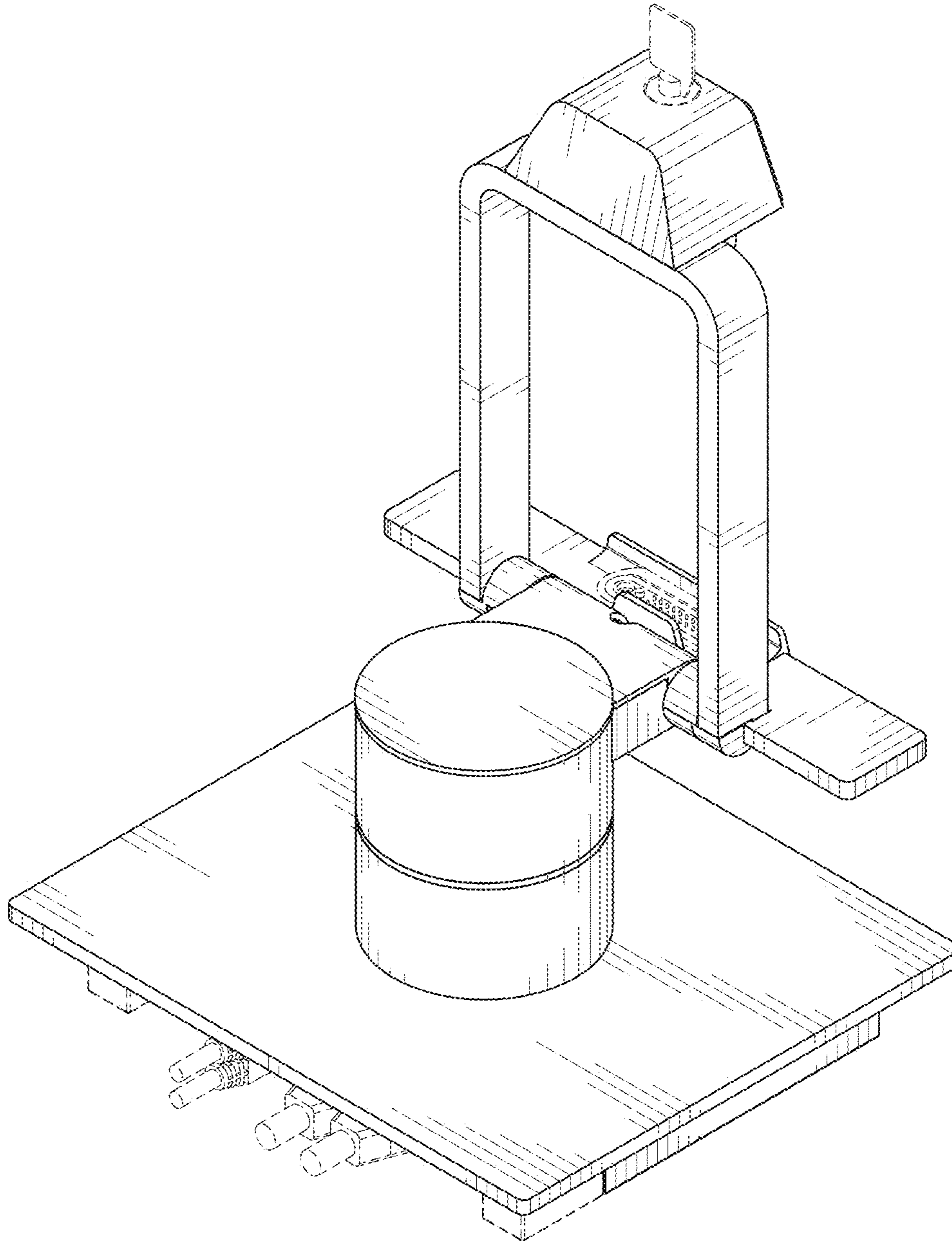


FIG. 8