



US00D926245S

(12) **United States Design Patent**
Saito et al.

(10) **Patent No.:** **US D926,245 S**
(45) **Date of Patent:** **** Jul. 27, 2021**

(54) **PROJECTOR**

D850,518 S * 6/2019 Gan D16/230
D865,033 S * 10/2019 Cheng D16/230
D866,643 S * 11/2019 Liang D16/230

(71) Applicant: **Maxell, Ltd.**, Kyoto (JP)

FOREIGN PATENT DOCUMENTS

(72) Inventors: **Takeshi Saito**, Kyoto (JP); **Naoto Kubota**, Kyoto (JP)

CN CN 305575715 * 9/2019 16/2

(73) Assignee: **Maxell, Ltd.**, Kyoto (JP)

* cited by examiner

(**) Term: **15 Years**

Primary Examiner — Wan Laymon

(21) Appl. No.: **29/730,242**

(74) *Attorney, Agent, or Firm* — Crowell & Moring LLP

(22) Filed: **Apr. 2, 2020**

(57) **CLAIM**

(30) **Foreign Application Priority Data**

We claim the ornamental design for a projector, as shown and described.

Dec. 27, 2019 (JP) 2019-029104

DESCRIPTION

(51) **LOC (13) Cl.** **16-02**

FIG. 1 is a front, top, and right side perspective view of a projector showing our new design;
FIG. 2 is a front elevational view thereof;
FIG. 3 is a right side elevational view thereof;
FIG. 4 is a left side elevational view thereof;
FIG. 5 is a top plan view thereof;
FIG. 6 is a rear elevational view thereof;
FIG. 7 is a bottom plan view thereof;
FIG. 8 is a cross-sectional view thereof taken in the direction of line 8-8 in FIG. 2; and,
FIG. 9 is a cross-sectional view thereof taken in the direction of line 9-9 in FIG. 2.

(52) **U.S. Cl.**

USPC **D16/225**; D16/230

(58) **Field of Classification Search**

USPC D16/221, 225, 230–231, 234; D21/514

CPC G03B 21/145; G03B 21/14; G03B 21/16;

G03B 21/00; G03B 21/001; G03B 21/003

See application file for complete search history.

The broken lines in the drawings illustrate unclaimed features and form no part of the claimed design.

(56) **References Cited**

U.S. PATENT DOCUMENTS

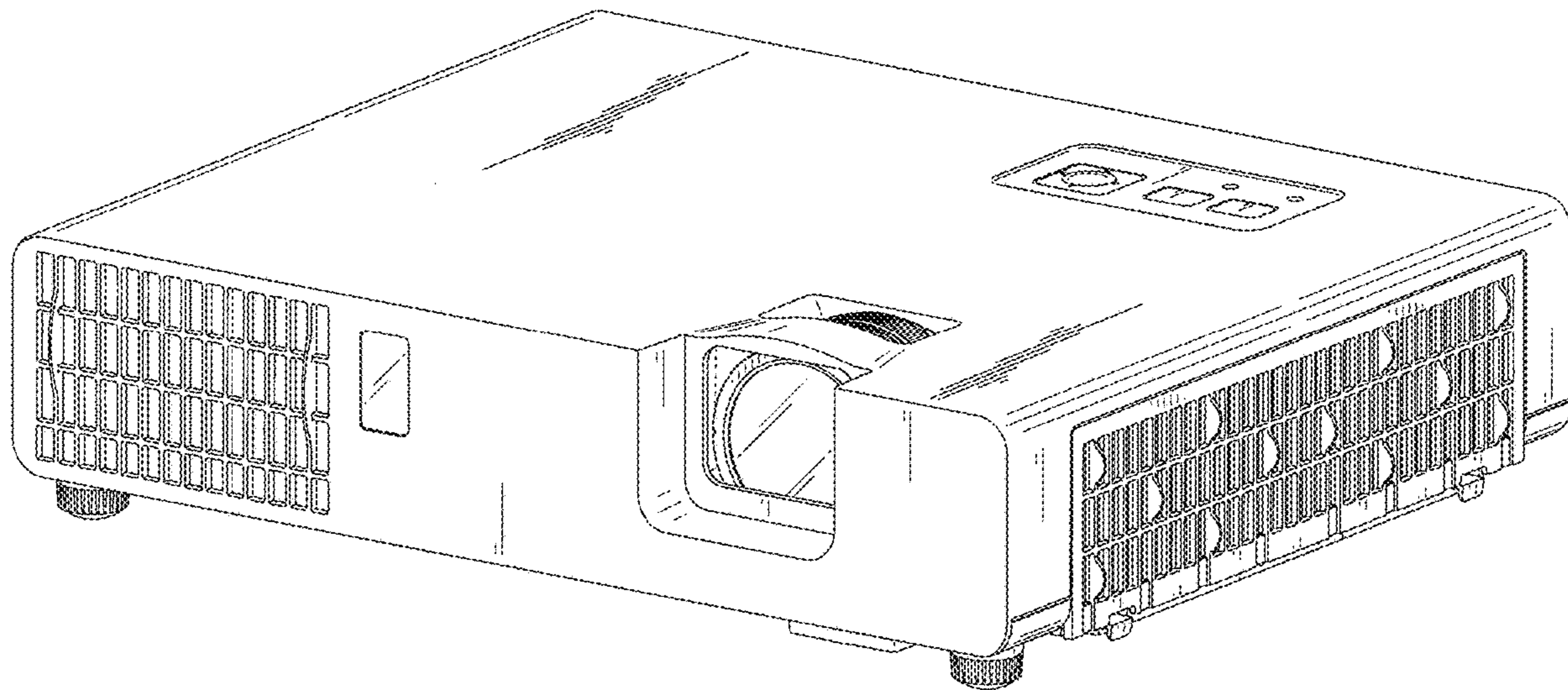
D473,253 S * 4/2003 Shimamoto D16/225

D555,185 S * 11/2007 Nozue D16/225

D575,811 S * 8/2008 Ohki D16/225

D683,782 S * 6/2013 Ishibashi D16/230

1 Claim, 8 Drawing Sheets



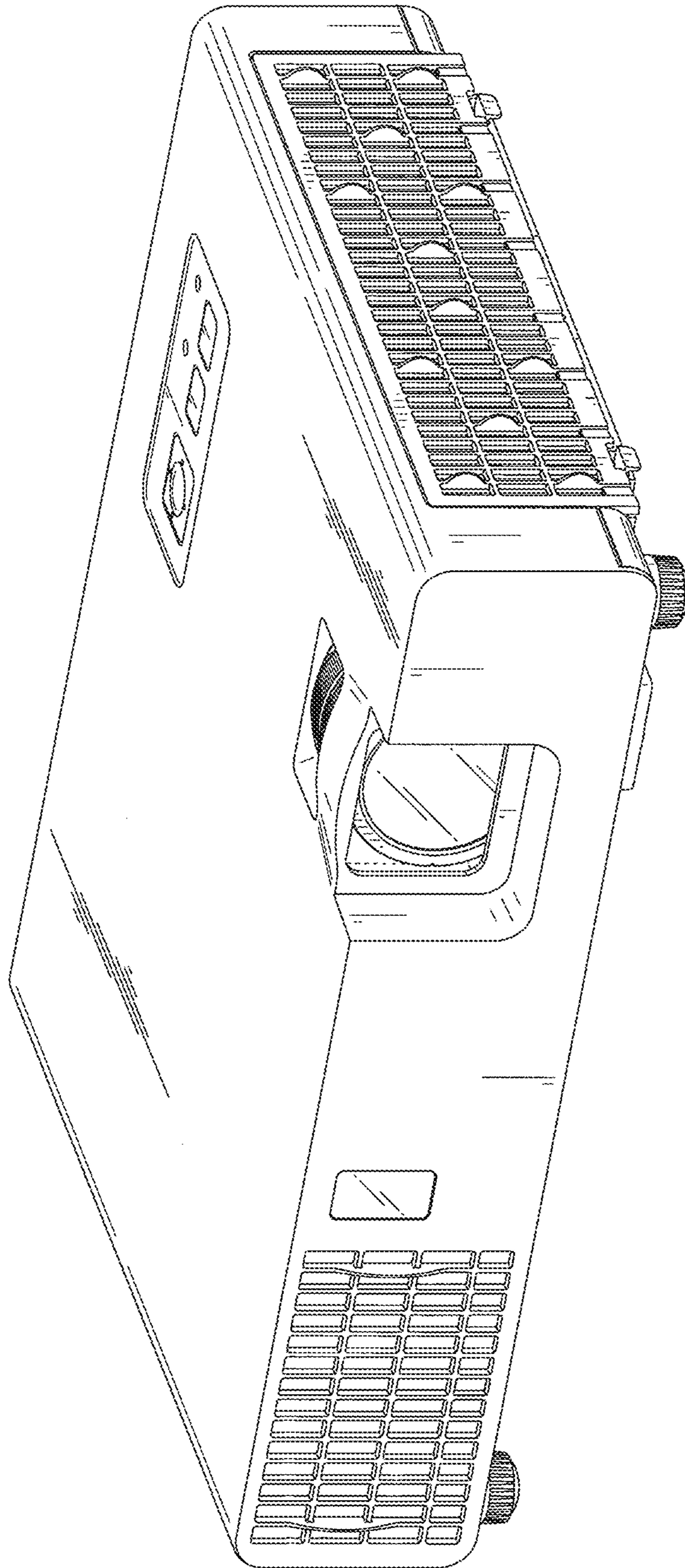


FIG. 1

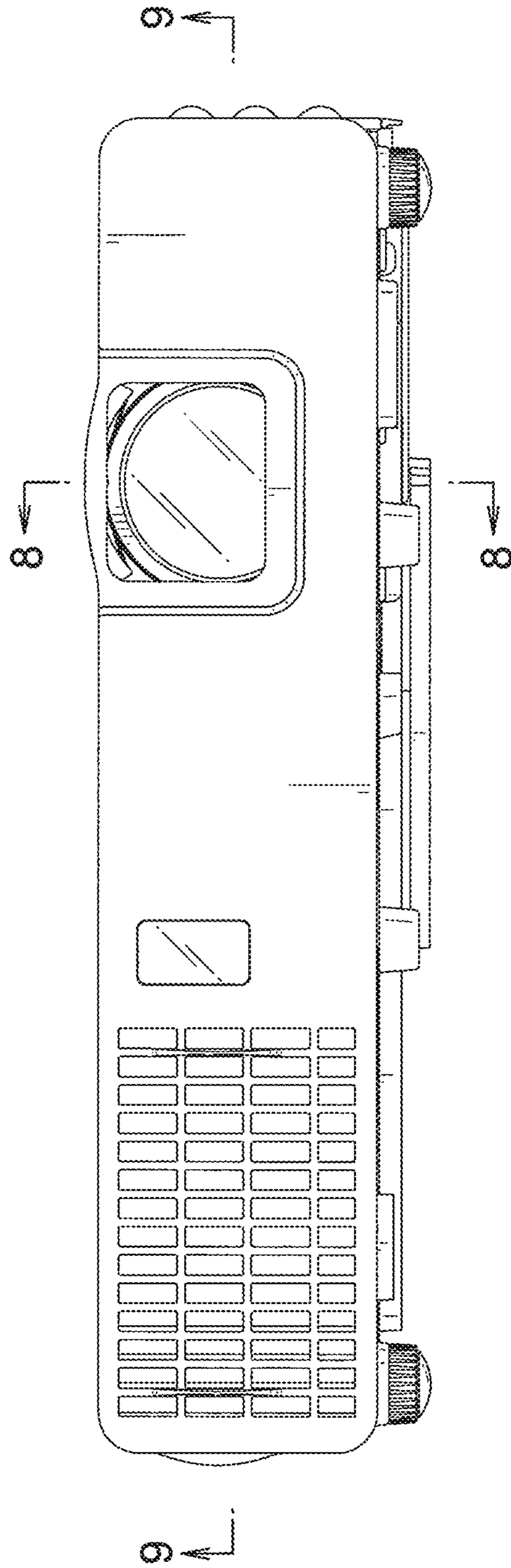


FIG. 2

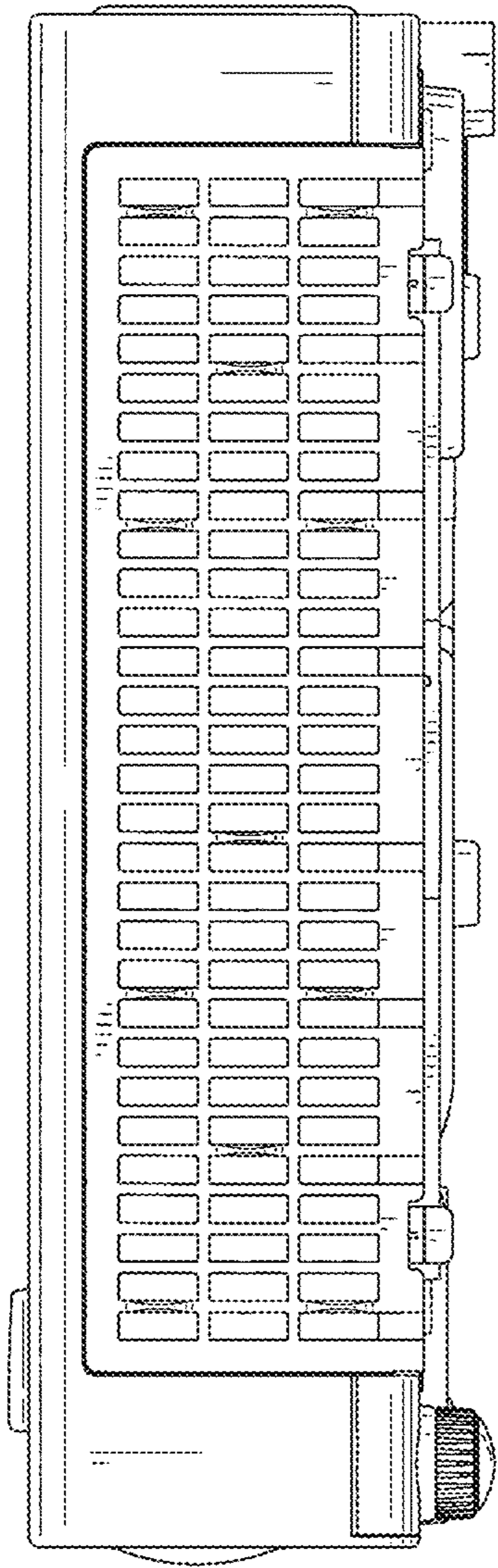


FIG. 3

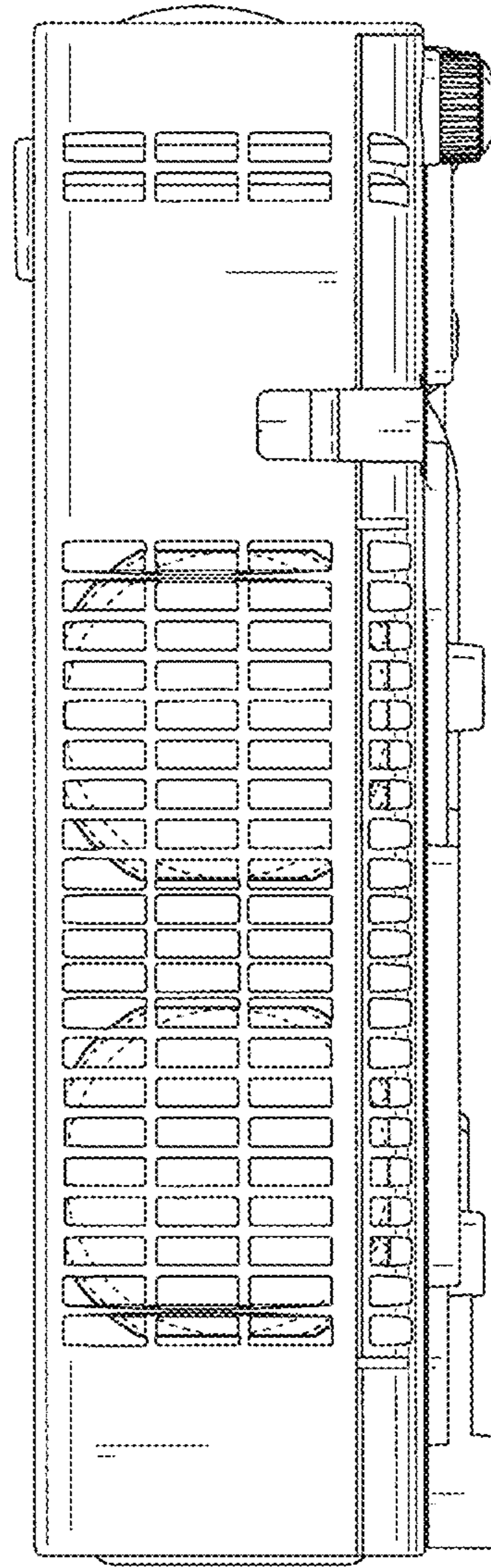


FIG. 4

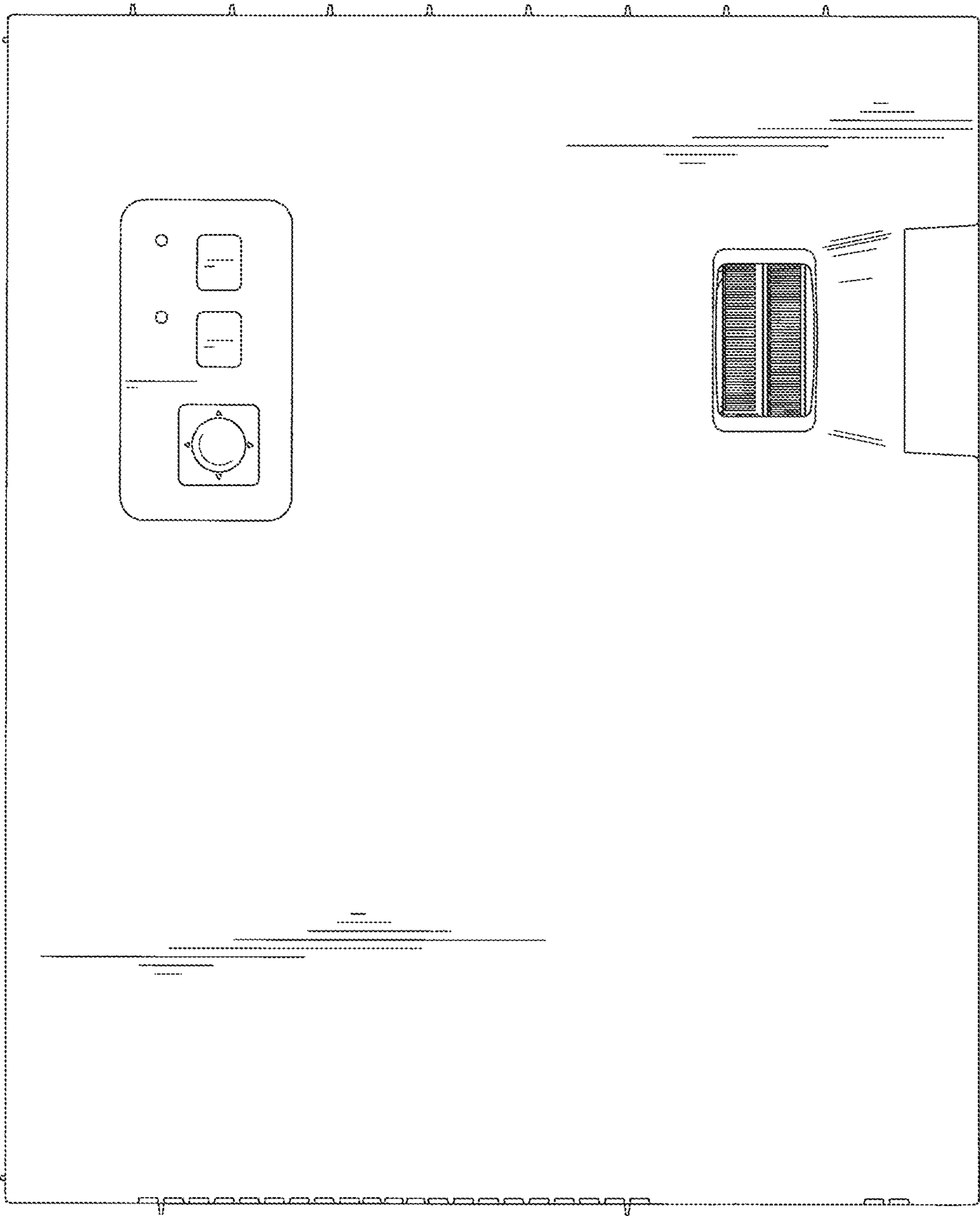


FIG. 5

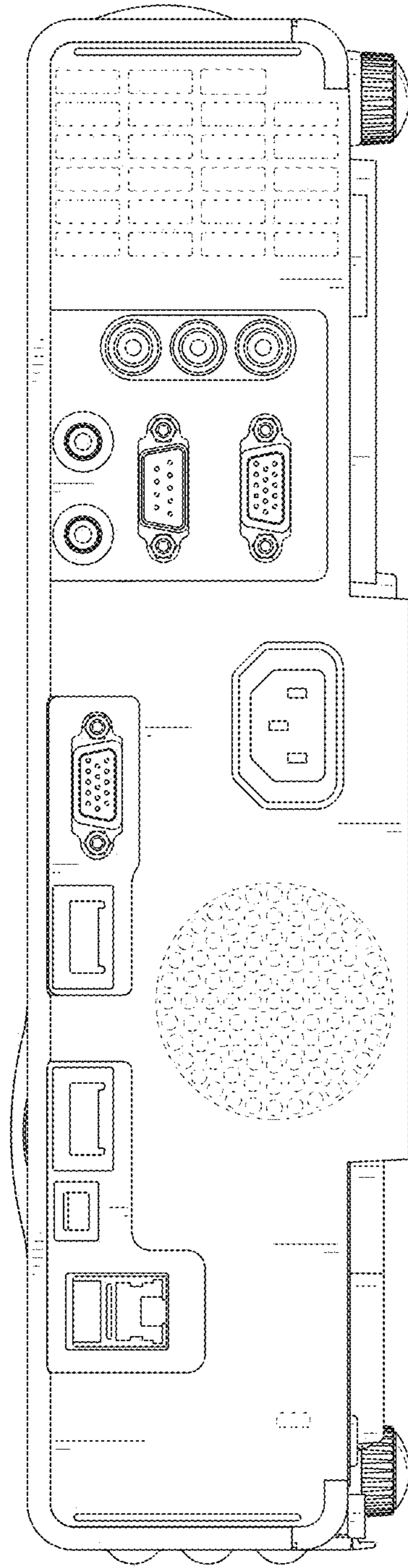


FIG. 6

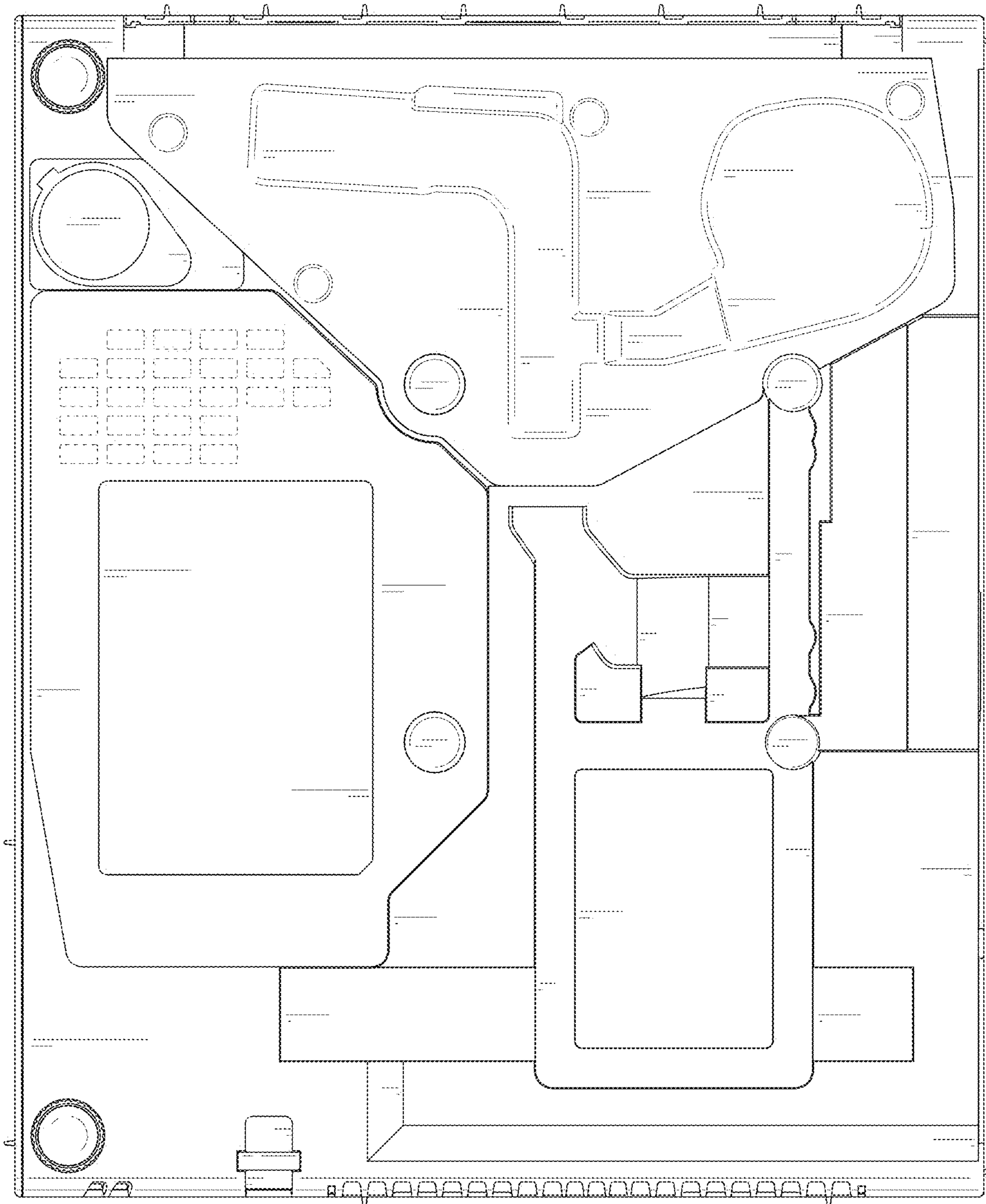


FIG. 7

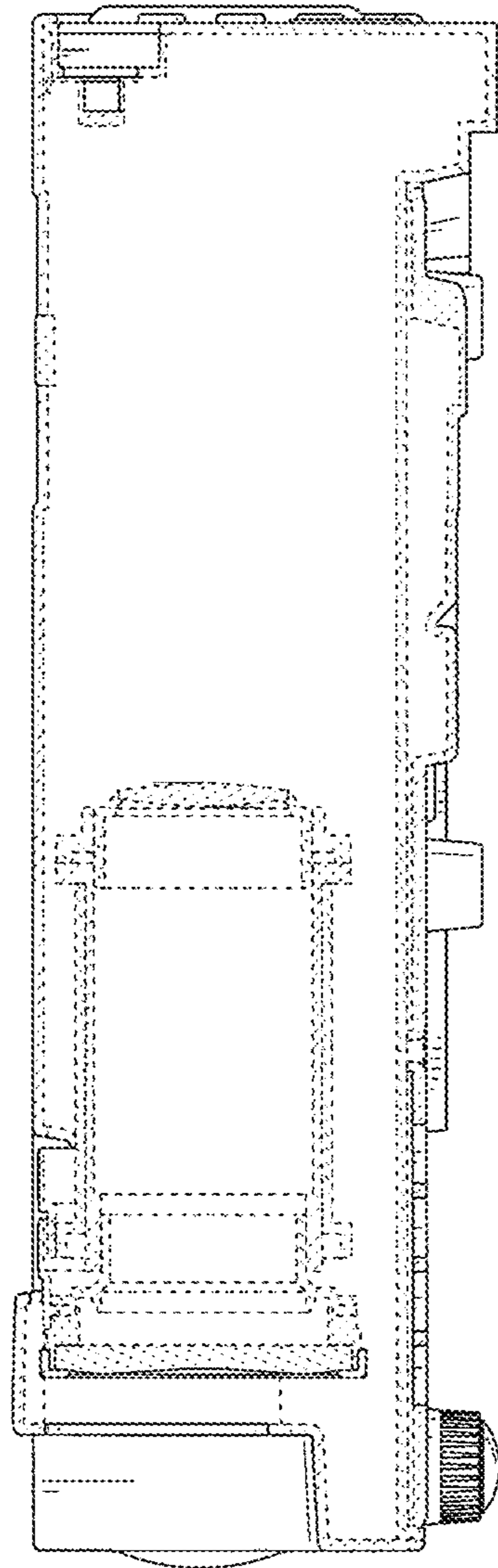


FIG. 8

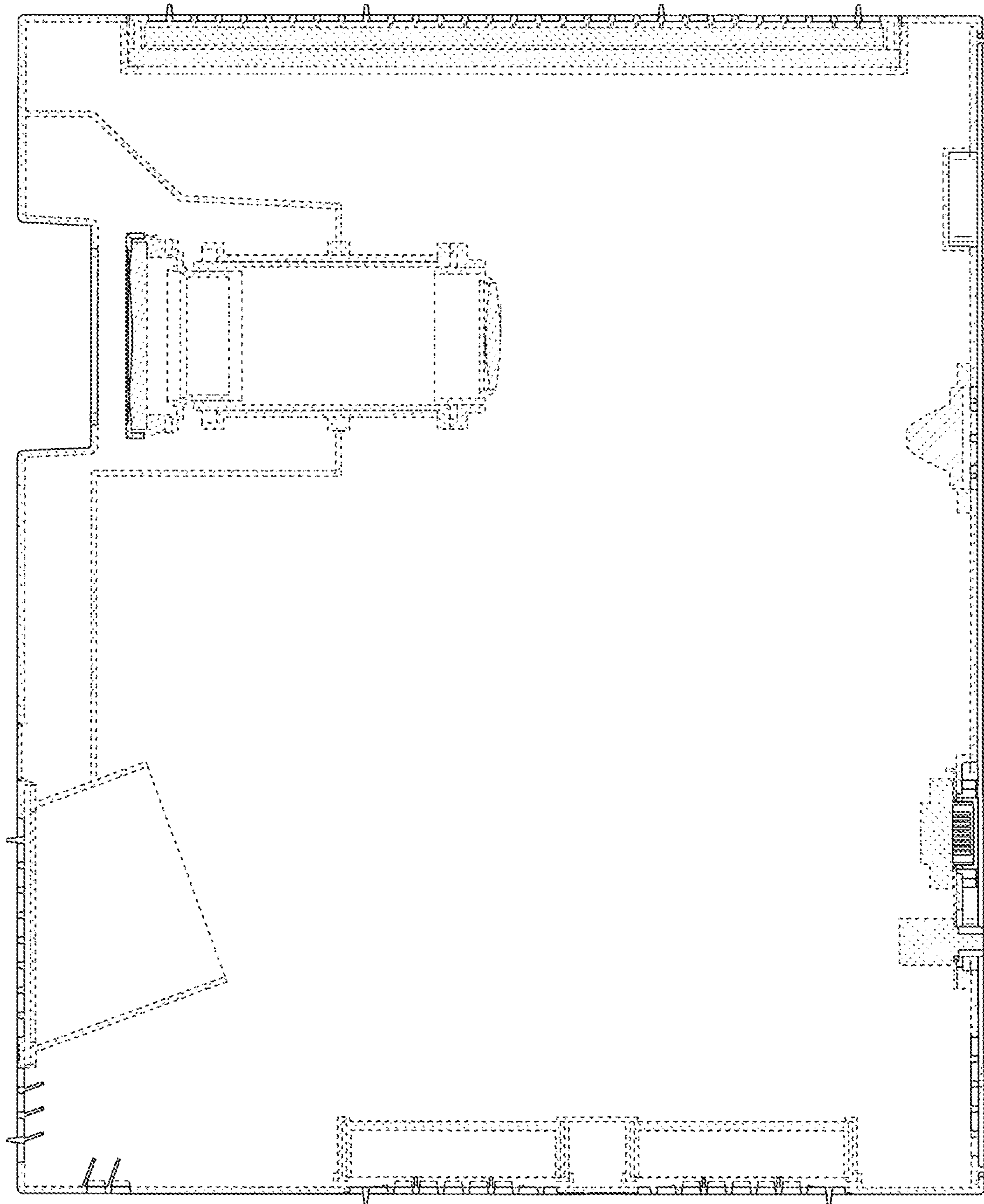


FIG. 9