

US00D926240S

(12) **United States Design Patent** (10) **Patent No.:** **US D926,240 S**
Sigrist et al. (45) **Date of Patent:** **** Jul. 27, 2021**

(54) **WELDING MACHINE**

FOREIGN PATENT DOCUMENTS

(71) Applicant: **Leister Technologies AG**, Kagiswil (CH)

CN 305725897 * 4/2020

(72) Inventors: **Flavio Sigrist**, Sachsein (CH); **Haruka Shimazu**, Adligenswil (CH)

OTHER PUBLICATIONS

(73) Assignee: **Leister Technologies AG**, Kagiswil (CH)

UNIPLAN 300—UNIPLAN 500—automatic, practical, safe, Published by Leisterworld Jun. 27, 2019 [Online], [Site visited Sep. 3, 2020] Available From Internet, URL: <https://www.youtube.com/watch?v=eZmJn3YQ1_c&feature=emb_logo> (Year: 2019).*

(**) Term: **15 Years**

Primary Examiner — Sheryl Lane

(21) Appl. No.: **29/680,003**

Assistant Examiner — Mark T. Philipps

(22) Filed: **Feb. 12, 2019**

(74) *Attorney, Agent, or Firm* — Charles H Jew

(30) **Foreign Application Priority Data**

(57) **CLAIM**

Aug. 17, 2018 (EM) 005612207

The ornamental design for a welding machine, as shown and described.

(51) **LOC (13) Cl.** **15-09**

(52) **U.S. Cl.**

USPC **D15/144; D15/144.2**

(58) **Field of Classification Search**

USPC D15/144; D08/29.1, 311; D23/209; 156/389, 497, 502

CPC B29C 65/30; B29C 65/20; B29C 65/7841; B29C 65/7439; B29C 65/2084; B29C 65/78; B29C 65/00; B29C 65/02; B29C 65/229; B29C 66/43; B29C 66/232; B29C 66/83; B29C 66/876; B29C 66/86523; B29C 66/83413; B29C 66/8362; B29C 66/1122; B29C 66/822; B29C 66/73921

See application file for complete search history.

DESCRIPTION

FIG. 1 is a left side elevational of a welding machine; FIG. 2 is a right side elevational view thereof; FIG. 3 is a front elevational view thereof; FIG. 4 is a rear elevational view thereof; FIG. 5 is a top plan view thereof; FIG. 6 is a bottom plan view thereof; FIG. 7 is a front and left perspective view thereof; and, FIG. 8 is an enlarged fragmentary view of the encircled portion labeled “8” in FIG. 7.

(56) **References Cited**

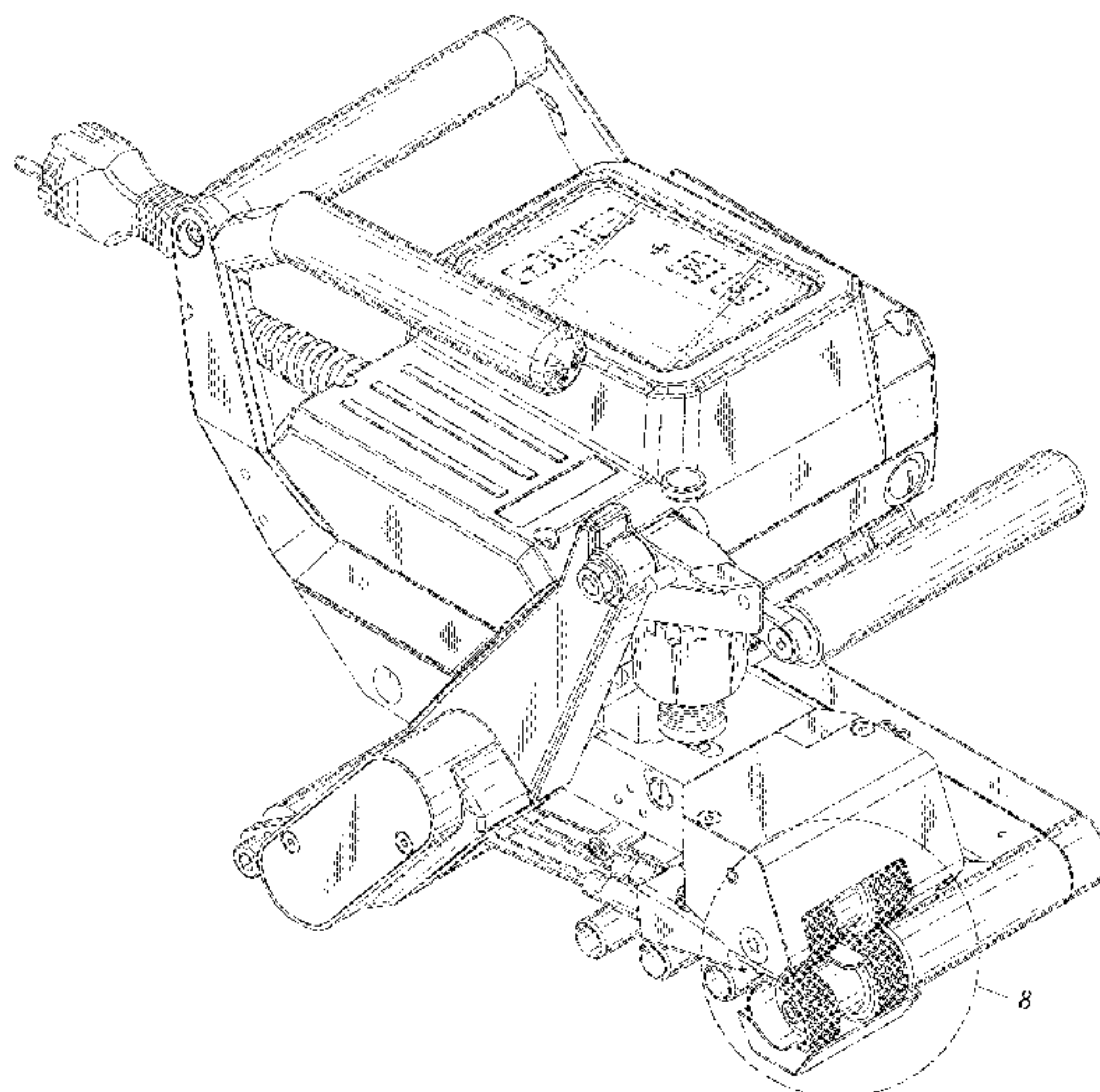
U.S. PATENT DOCUMENTS

D457,416 S * 5/2002 Caspersz D8/311
D695,800 S * 12/2013 Wallimann-Durrer D15/144
D780,239 S * 2/2017 Burgler D15/144
D780,240 S * 2/2017 Burgler D15/144
9,925,716 B2 * 3/2018 Niederberger B29C 65/02

The broken lines in the drawings show portions of the welding machine that form no part of the claimed design. The cord is shown with symbolic break lines indicating indeterminate length of the cord. The appearance of any portion of the article between the lines forms no part of the claimed design.

The long dash-short dash-long dash broken lines depict the boundary of the enlarged fragmentary view areas on FIG. 7 and FIG. 8 and form no part of the claimed design.

1 Claim, 8 Drawing Sheets



(56)

References Cited

U.S. PATENT DOCUMENTS

10,040,248	B2 *	8/2018	Niederberger	B29C 65/2061
10,052,816	B2 *	8/2018	Sigrist	B29C 66/1122
D845,367	S *	4/2019	Rieser	D15/144
D888,193	S *	6/2020	Jenzeh	D23/209
D896,290	S *	9/2020	Burgler	D15/144
2004/0011472	A1 *	1/2004	Zurmuhle	B29C 66/43 156/502
2008/0066870	A1 *	3/2008	Gisler	B29C 66/43 156/389
2008/0066871	A1 *	3/2008	Gisler	B29C 66/8362 156/497
2017/0239880	A1 *	8/2017	Niederberger	B29C 66/872
2017/0239882	A1 *	8/2017	Niederberger	B29C 65/72
2017/0274578	A1 *	9/2017	Sigrist	B29C 66/1122
2018/0319095	A1 *	11/2018	Sigrist	B29C 66/43
2020/0238631	A1 *	7/2020	Rothlin	B29C 65/20

* cited by examiner

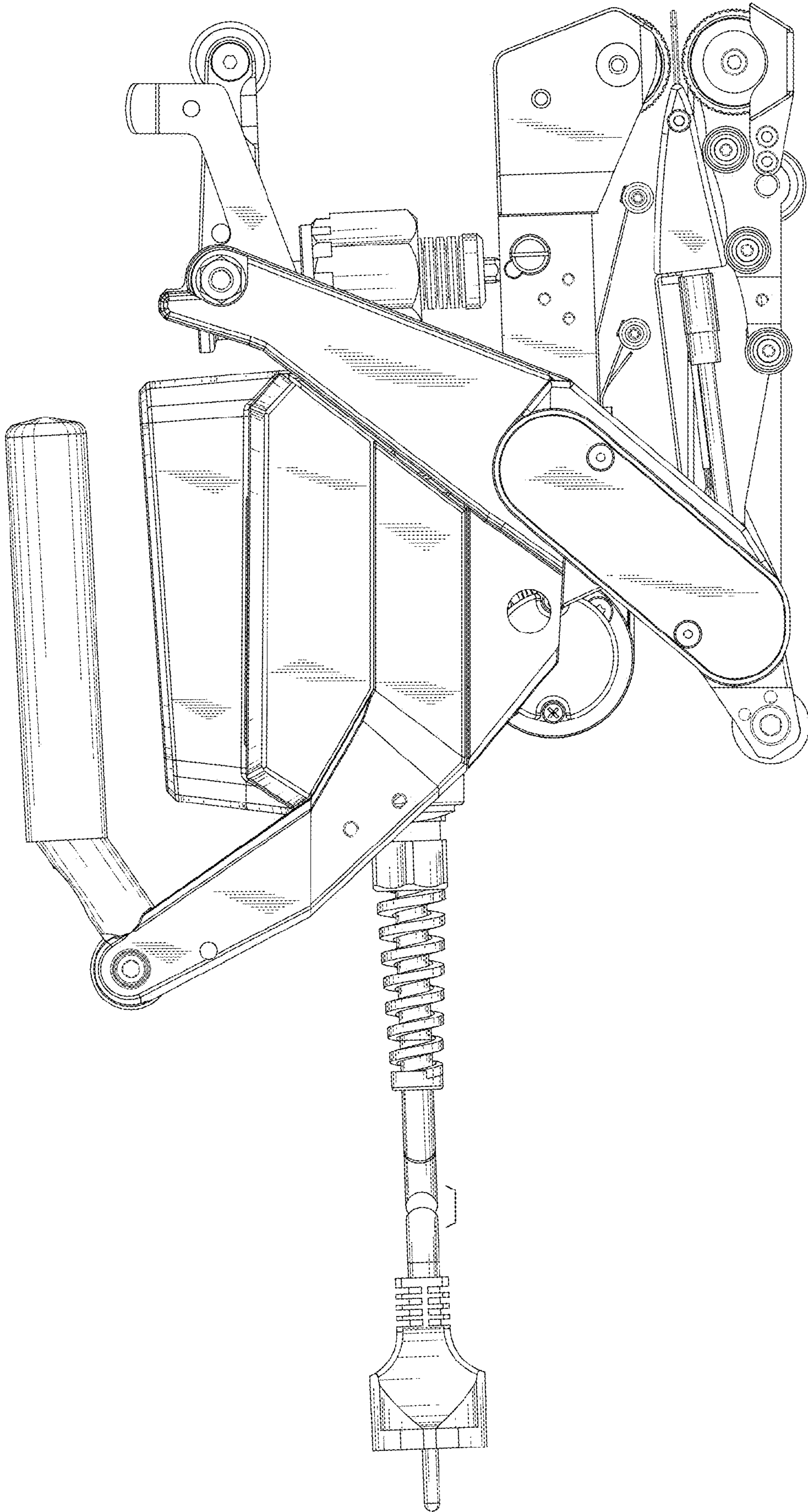


FIG. 1

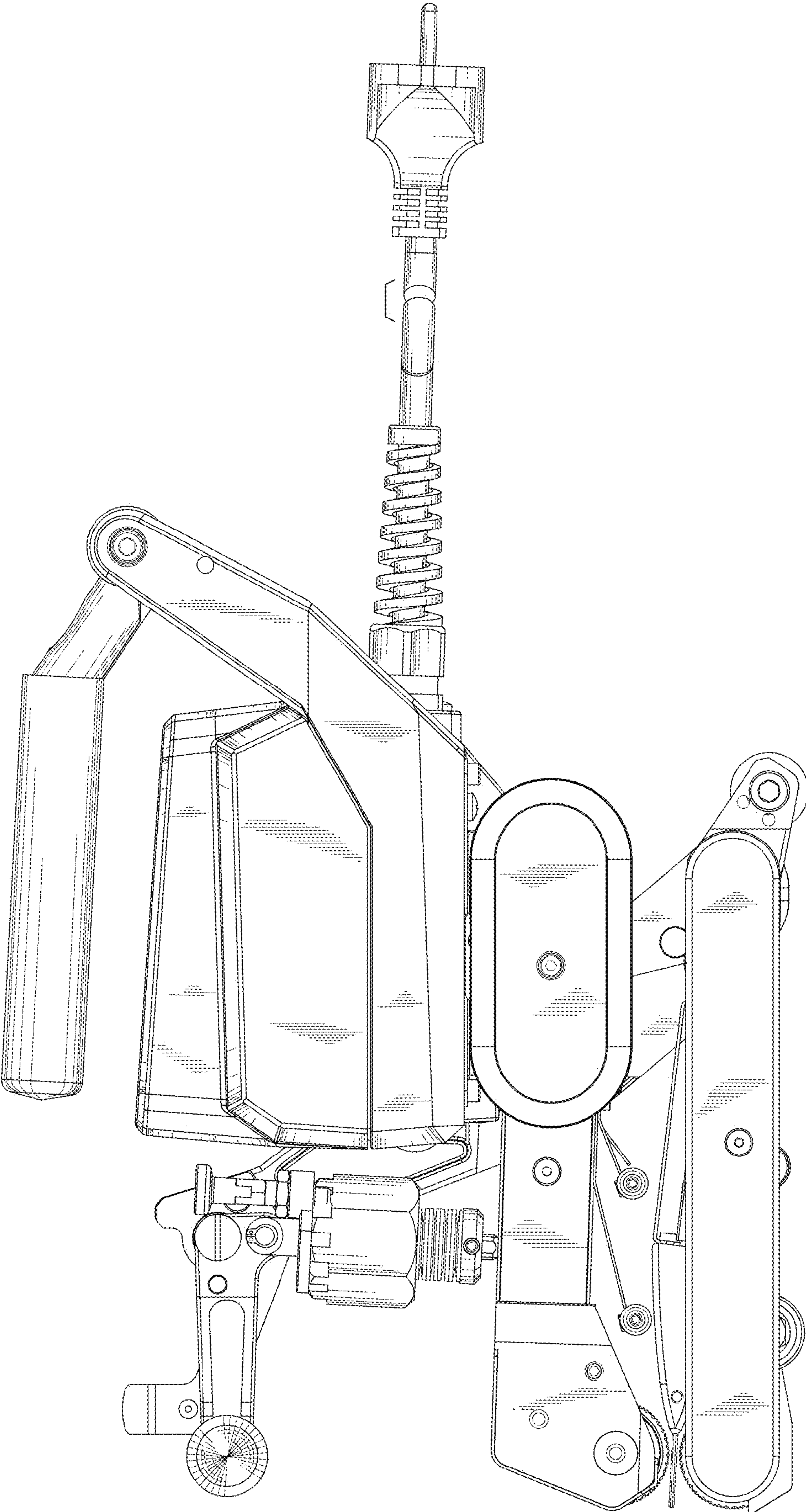


FIG. 2

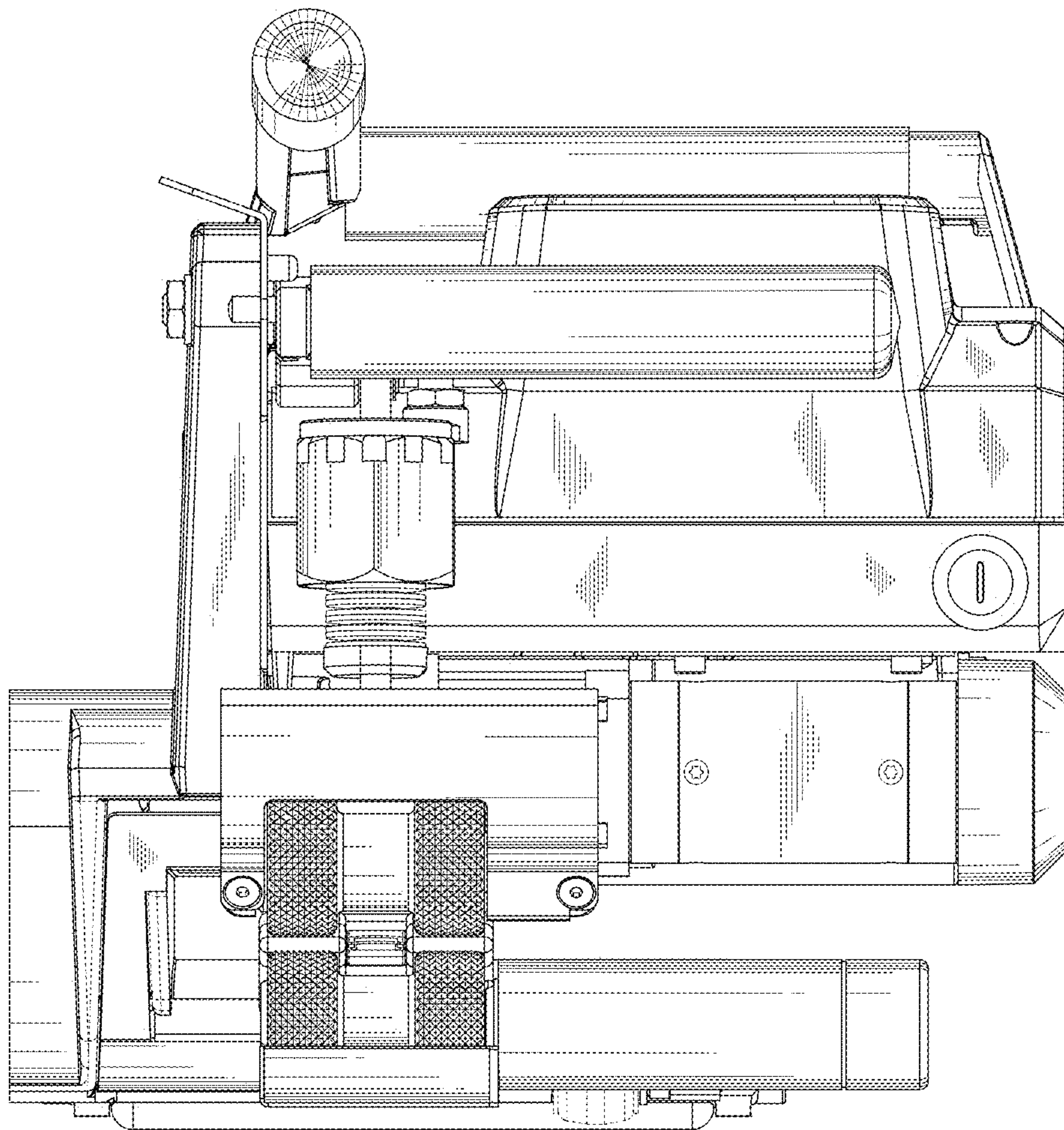


FIG. 3

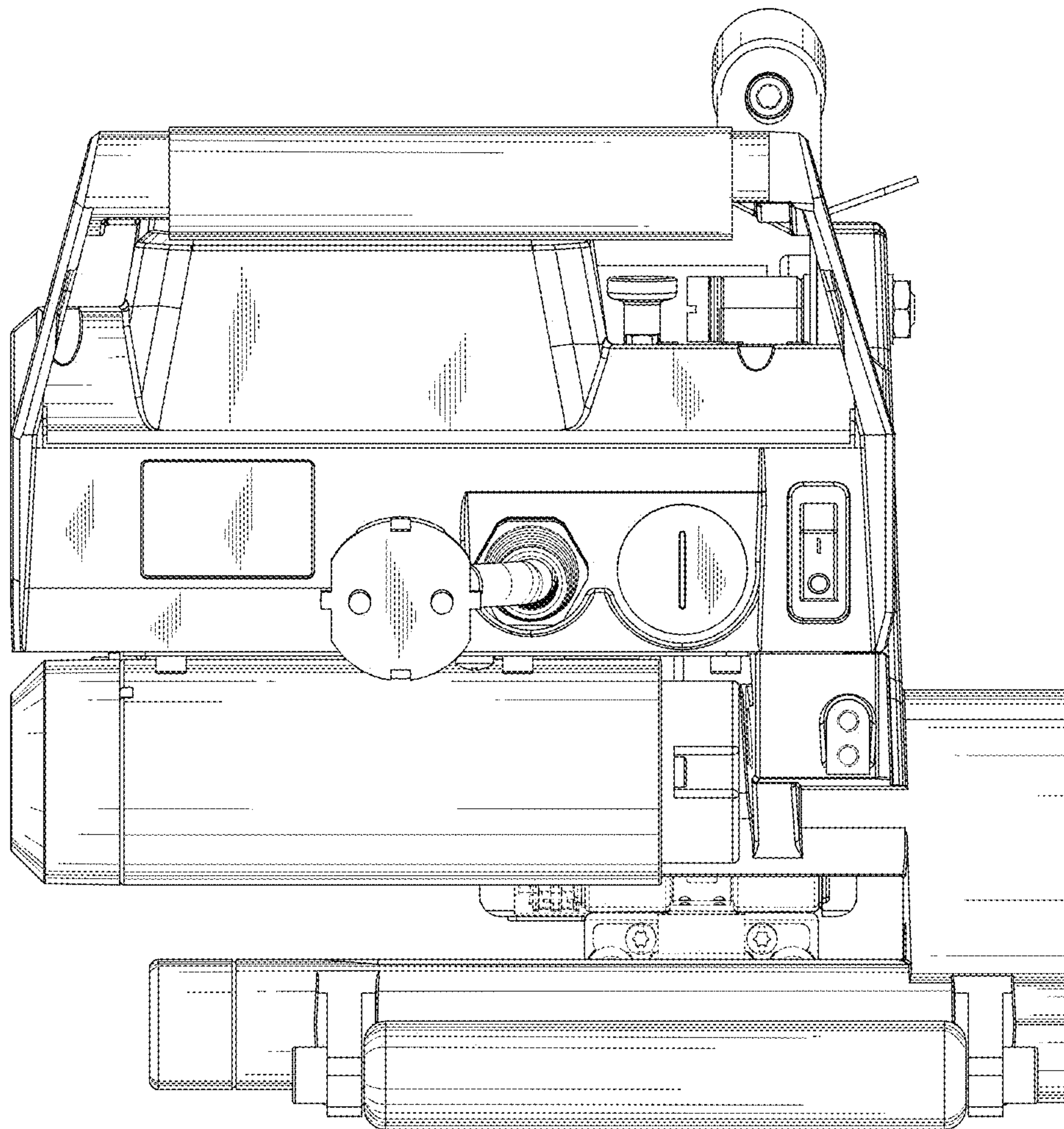


FIG. 4

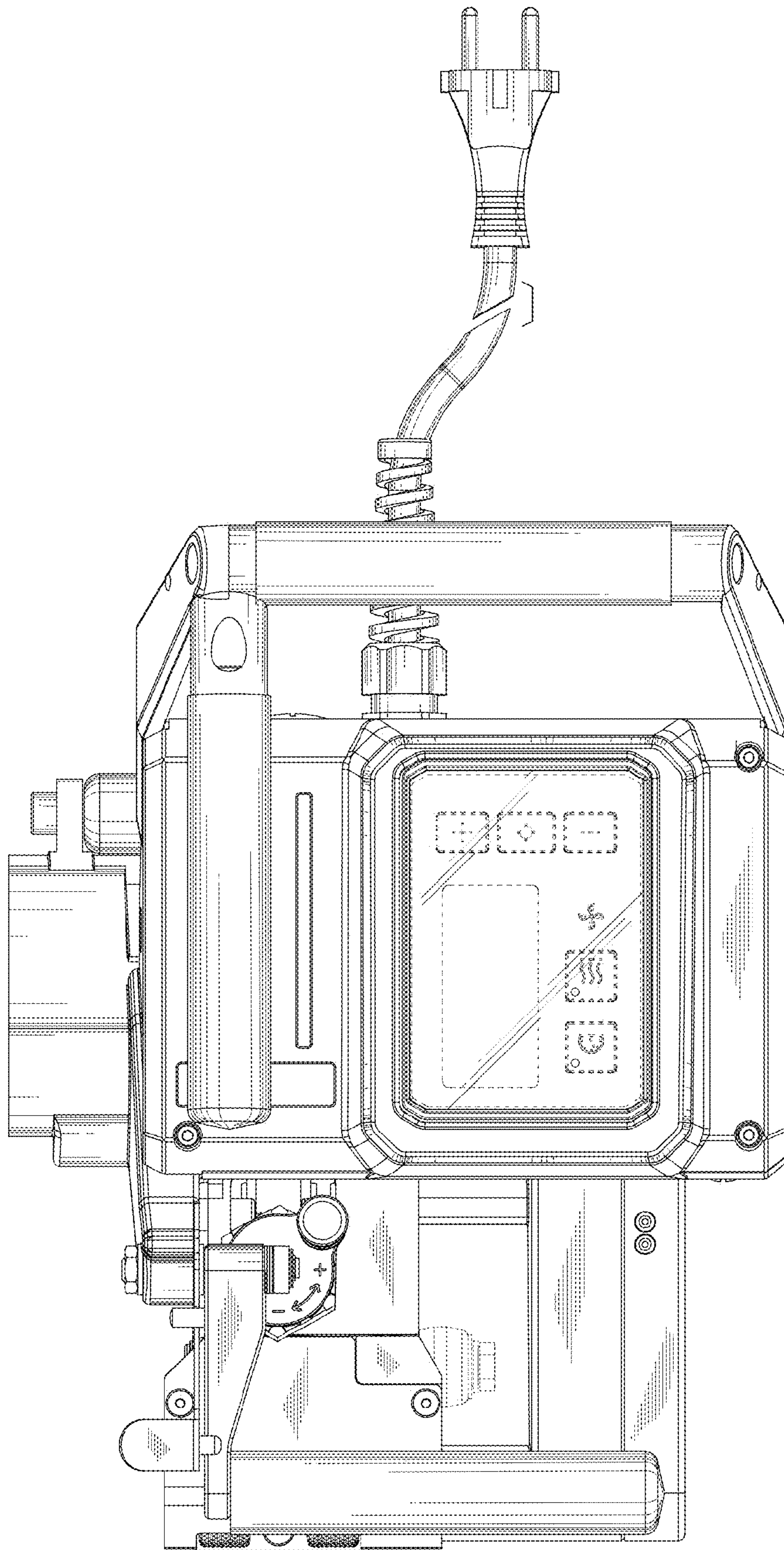


FIG. 5

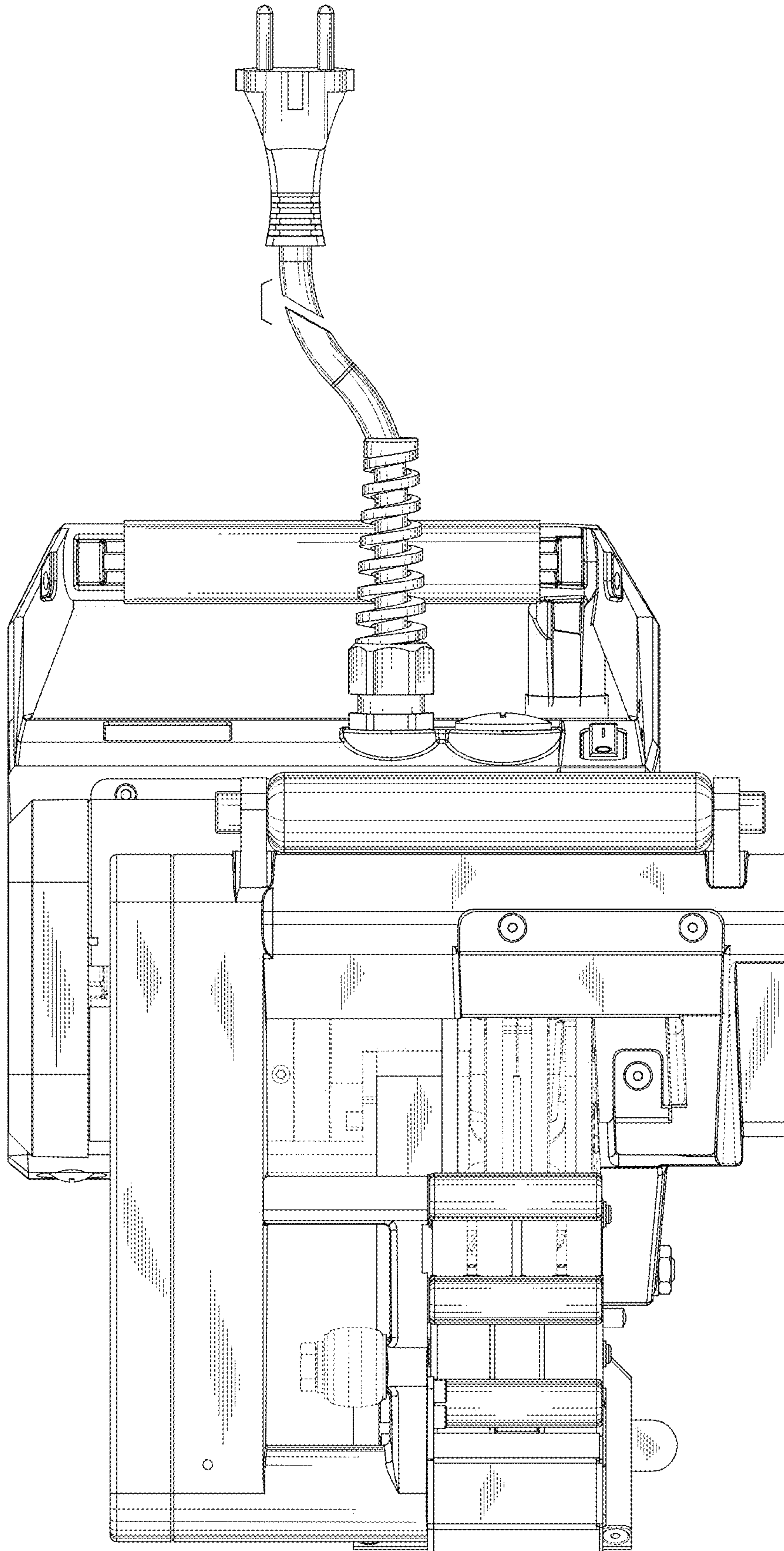


FIG. 6

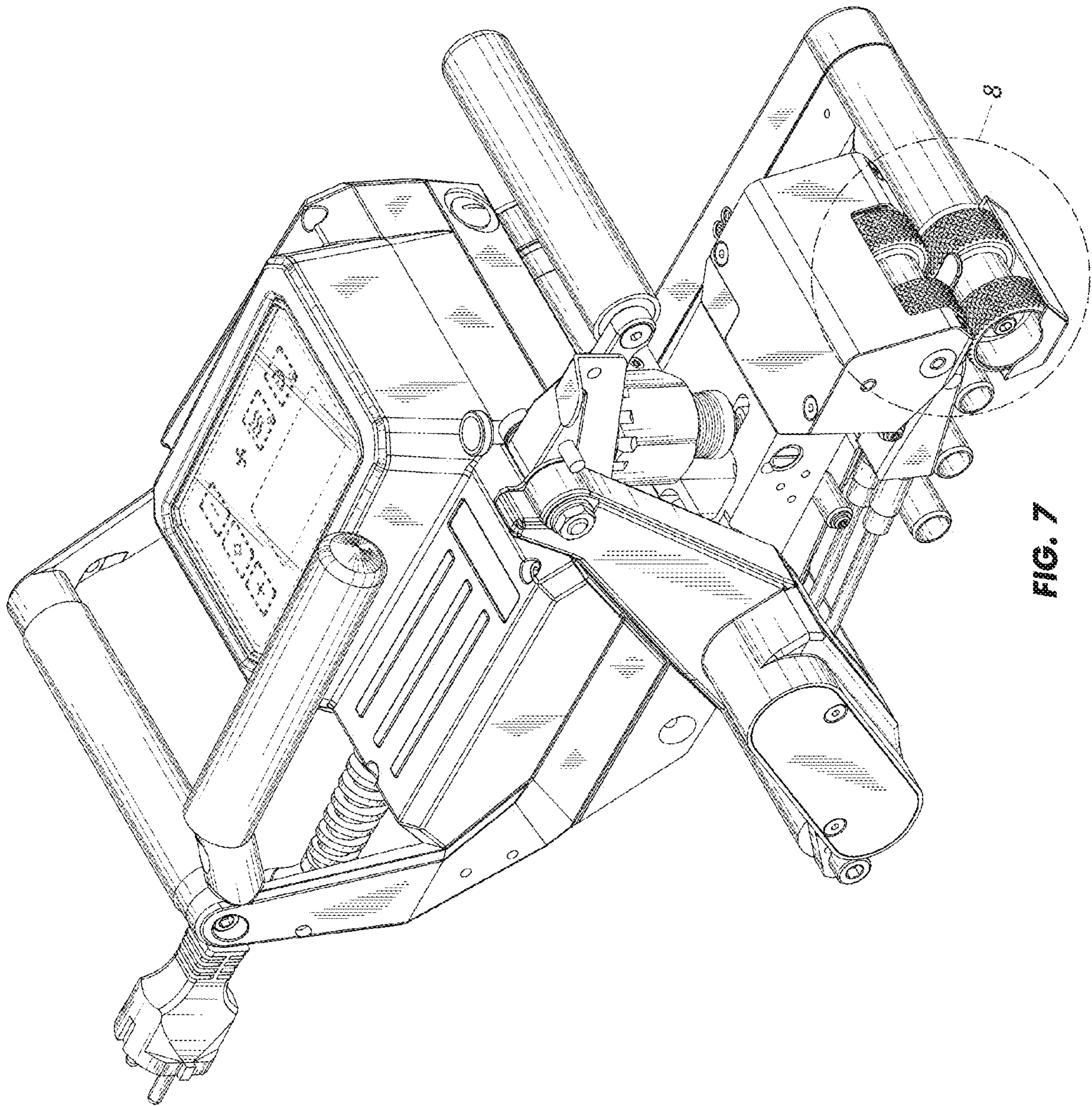


FIG. 7

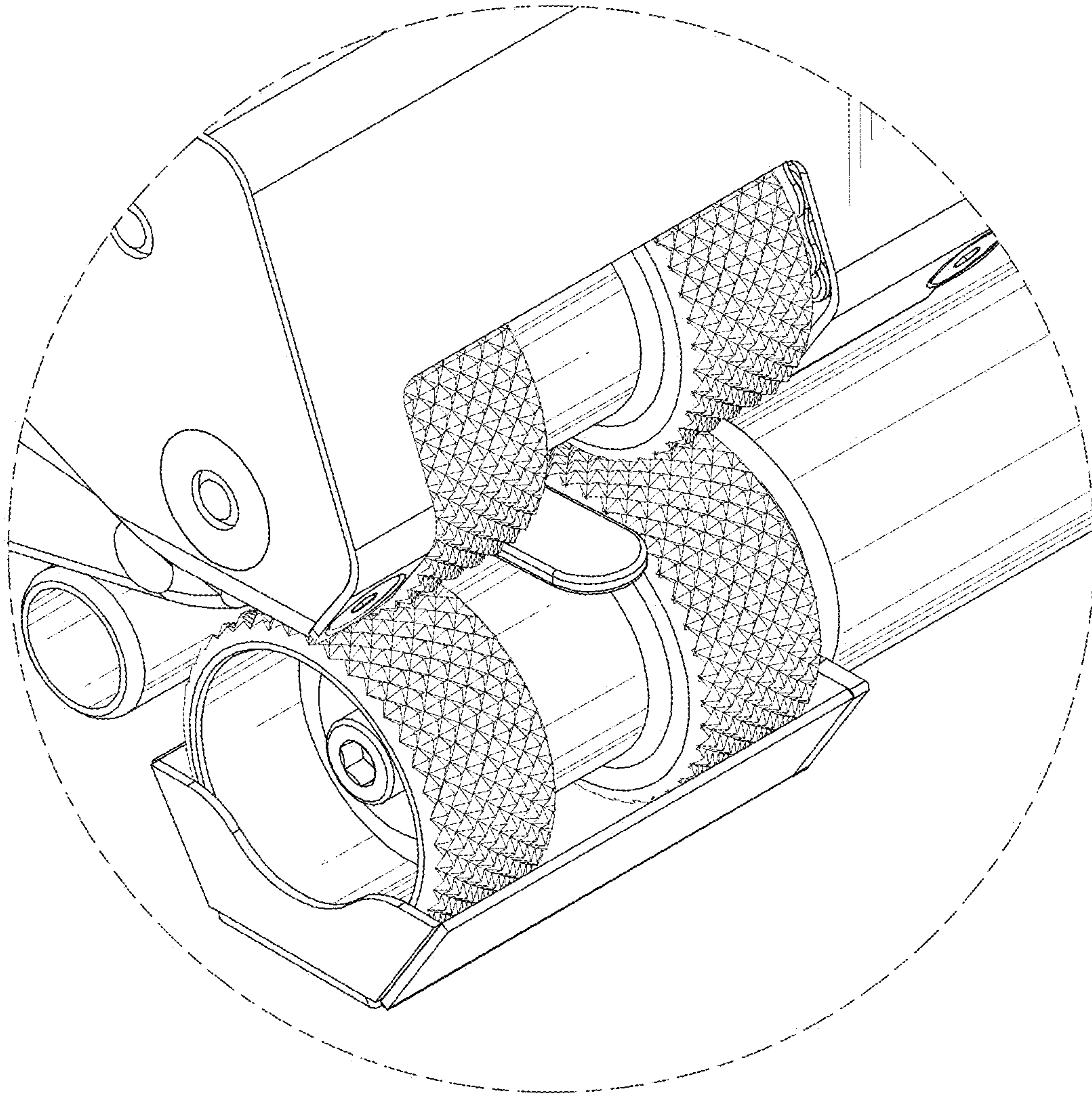


FIG. 8