

US00D926238S

(12) **United States Design Patent**  
**Thompson**

(10) **Patent No.:** **US D926,238 S**

(45) **Date of Patent:** **\*\* Jul. 27, 2021**

(54) **DRILL PRESS**

(71) Applicant: **BLACK & DECKER INC.**, New Britain, CT (US)

(72) Inventor: **Samuel P. Thompson**, Newcastle Upon Tyne (GB)

(73) Assignee: **BLACK & DECKER INC.**, New Britain, CT (US)

(\*\*) Term: **15 Years**

(21) Appl. No.: **29/685,190**

(22) Filed: **Mar. 27, 2019**

(51) **LOC (13) Cl.** ..... **15-09**

(52) **U.S. Cl.**  
USPC ..... **D15/132**

(58) **Field of Classification Search**  
USPC ..... D15/122, 123, 132, 135, 136; 425/34.1, 425/128, 395, 422; 72/352; 164/6; 65/26, 70, 158  
CPC ..... B30B 15/02; B30B 15/022; B30B 15/064; B30B 15/06; B30B 11/26; B30B 11/227; B30B 9/3089; B30B 9/10; B21D 37/20; B21D 37/10; B21D 22/02; B29C 43/36; B29D 11/00009; A61K 8/365; A61K 8/347; A61K 8/676; A61K 8/19; A61K 8/022; A61K 8/498; A61K 8/922; A61K 8/20; A61Q 19/10

See application file for complete search history.

(56) **References Cited**

**U.S. PATENT DOCUMENTS**

D285,797 S \* 9/1986 Arehart ..... D15/132  
D393,648 S \* 4/1998 Chen ..... D15/132  
D401,947 S \* 12/1998 Chen ..... D15/132  
D440,989 S \* 4/2001 Krohmer ..... D15/132  
D493,182 S \* 7/2004 Hosking ..... D15/132  
D497,622 S \* 10/2004 Theising ..... D15/134  
D541,318 S \* 4/2007 Etter ..... D15/132

D541,319 S \* 4/2007 Etter ..... D15/132  
D560,696 S \* 1/2008 Leasure ..... D15/132  
7,369,916 B2 \* 5/2008 Etter ..... B23B 39/00  
173/2  
D723,075 S \* 2/2015 Weber ..... D15/132  
2006/0104731 A1 \* 5/2006 Etter ..... B23Q 17/20  
408/16

(Continued)

**FOREIGN PATENT DOCUMENTS**

CA 160350 \* 10/2015

**OTHER PUBLICATIONS**

Jet Tools—JDP-17MF, 16-1\_2\_ Floorstanding Drill Press, Earliest Available Date May 15, 2000 [Online], [Site Visited Dec. 3, 2020] Available From Internet, URL: <https://www.amazon.com/JET-JDP-17MF-354169-Drill-Press/dp/B00004T9L0/ref=sr\_1\_53?dchild=1&keywords=drill+press&qid=1607006838&sr=8-53> (Year: 2000).\*

*Primary Examiner* — Sheryl Lane

*Assistant Examiner* — Mark T. Philipps

(74) *Attorney, Agent, or Firm* — Adan Ayala

(57) **CLAIM**

The ornamental design for a drill press, as shown and described.

**DESCRIPTION**

FIG. 1 is a front right side perspective view of a drill press showing my new design;

FIG. 2 is a front left side perspective view of the drill press of FIG. 1;

FIG. 3 is a front view of the drill press of FIG. 1;

FIG. 4 is a rear view of the drill press of FIG. 1;

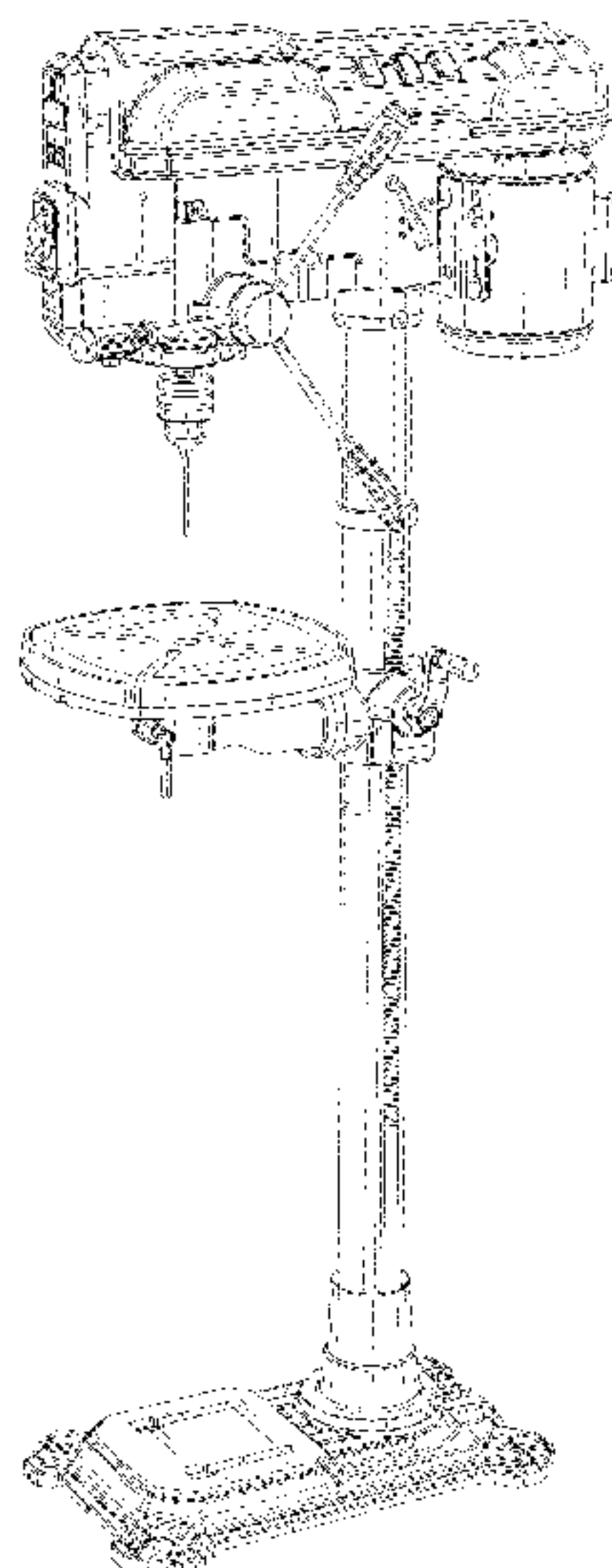
FIG. 5 is a right view of the drill press of FIG. 1;

FIG. 6 is a left view of the drill press of FIG. 1; and,

FIG. 7 is a top view of the drill press of FIG. 1.

The broken lines are for the purpose of illustrating portions of the drill press that form no part of the claimed design.

**1 Claim, 7 Drawing Sheets**



(56)

**References Cited**

U.S. PATENT DOCUMENTS

2006/0245834 A1\* 11/2006 Lay ..... B23Q 1/5412  
408/89  
2007/0166115 A1\* 7/2007 Pemberton ..... B23Q 1/5412  
408/89  
2008/0216622 A1\* 9/2008 Hall ..... B23Q 39/027  
82/171  
2009/0199684 A1\* 8/2009 Reeves ..... B23B 47/00  
82/130  
2010/0232896 A1\* 9/2010 Brown ..... B23B 39/00  
408/91  
2011/0318122 A1\* 12/2011 Montplaisir ..... B23Q 17/2423  
408/16  
2013/0039710 A1\* 2/2013 van Valkenburg ..... B23B 35/00  
408/1 BD  
2015/0266104 A1\* 9/2015 Chang ..... B23B 39/00  
408/14  
2015/0283620 A1\* 10/2015 Chang ..... B23B 39/00  
408/16

\* cited by examiner

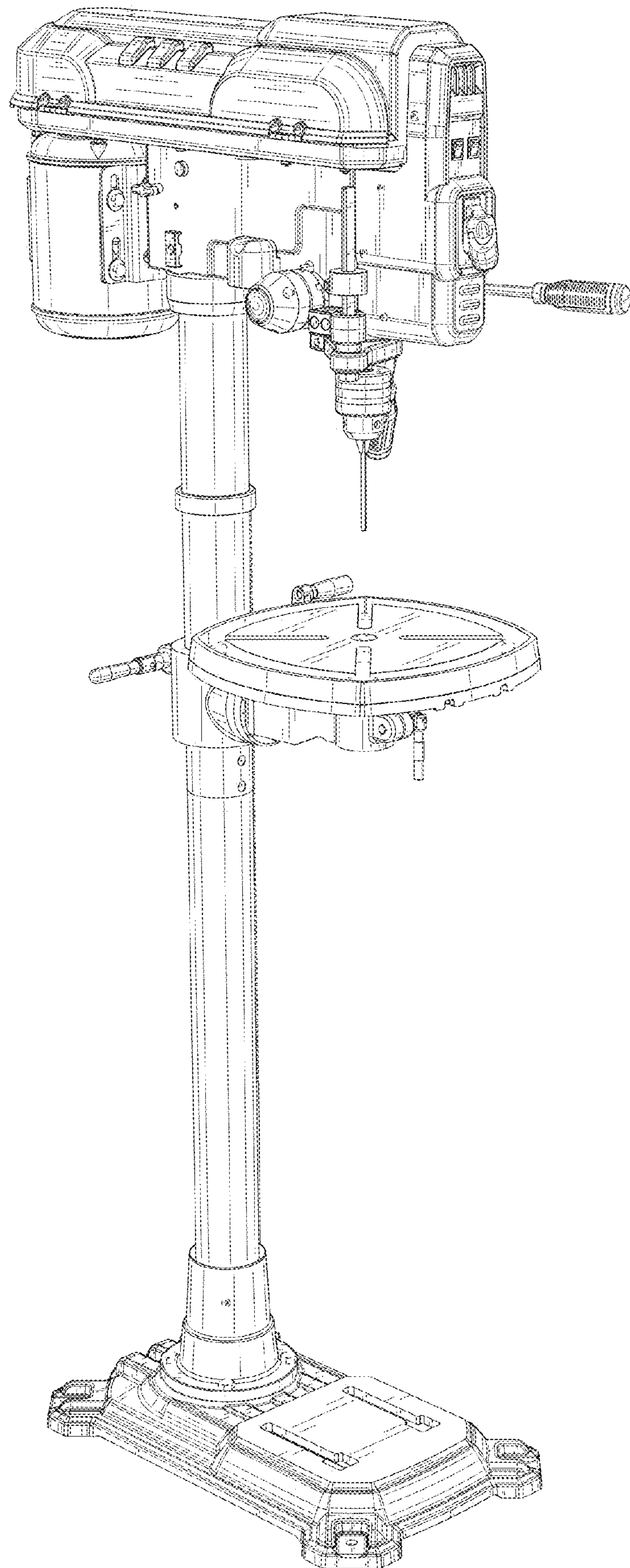


FIG. 1



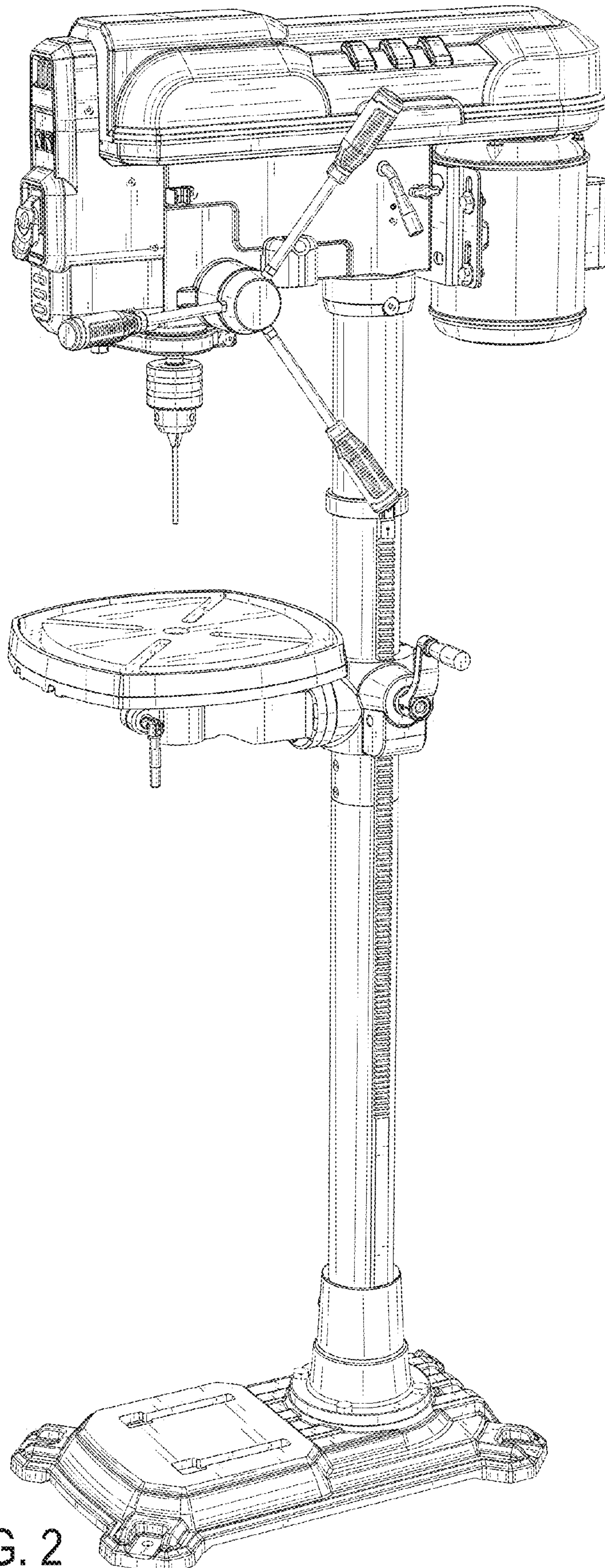


FIG. 2

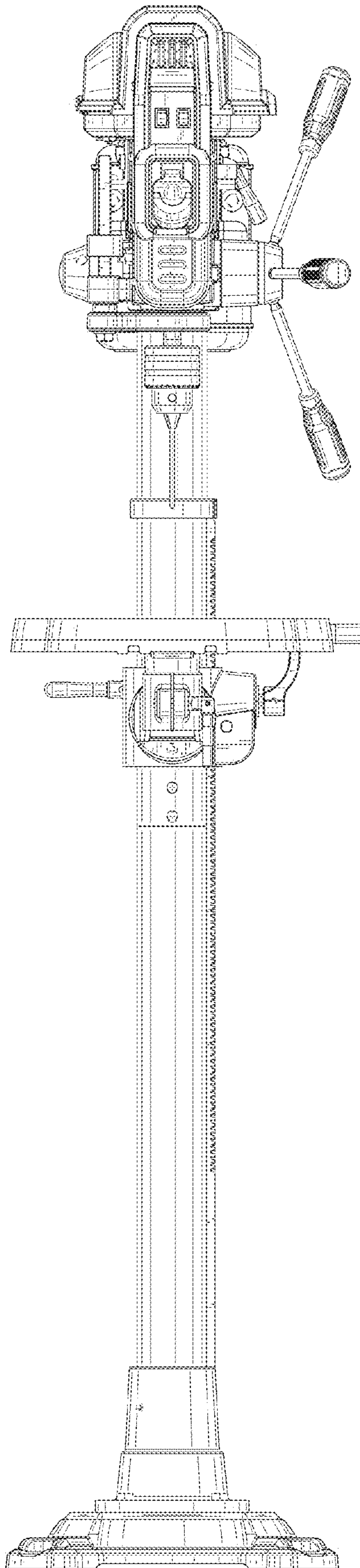


FIG. 3

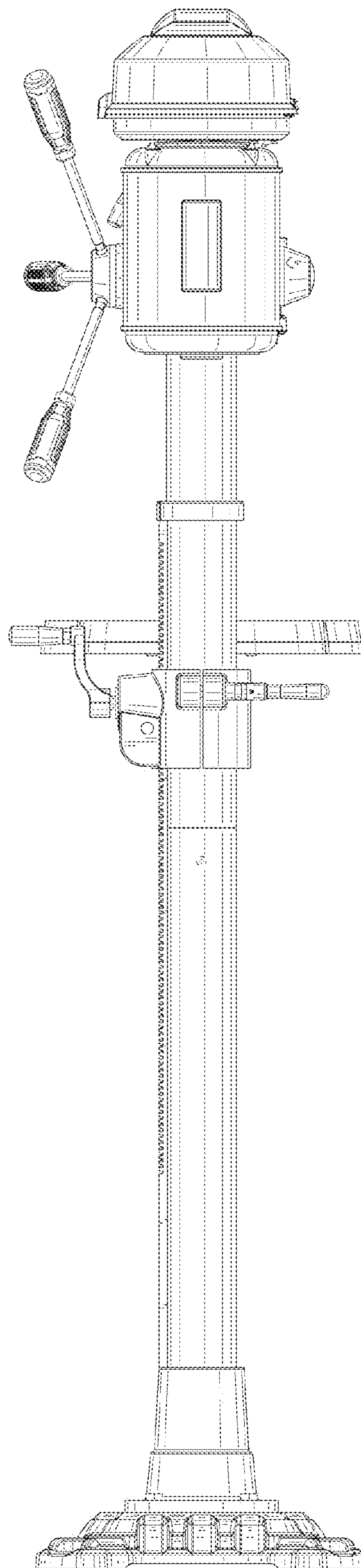


FIG. 4



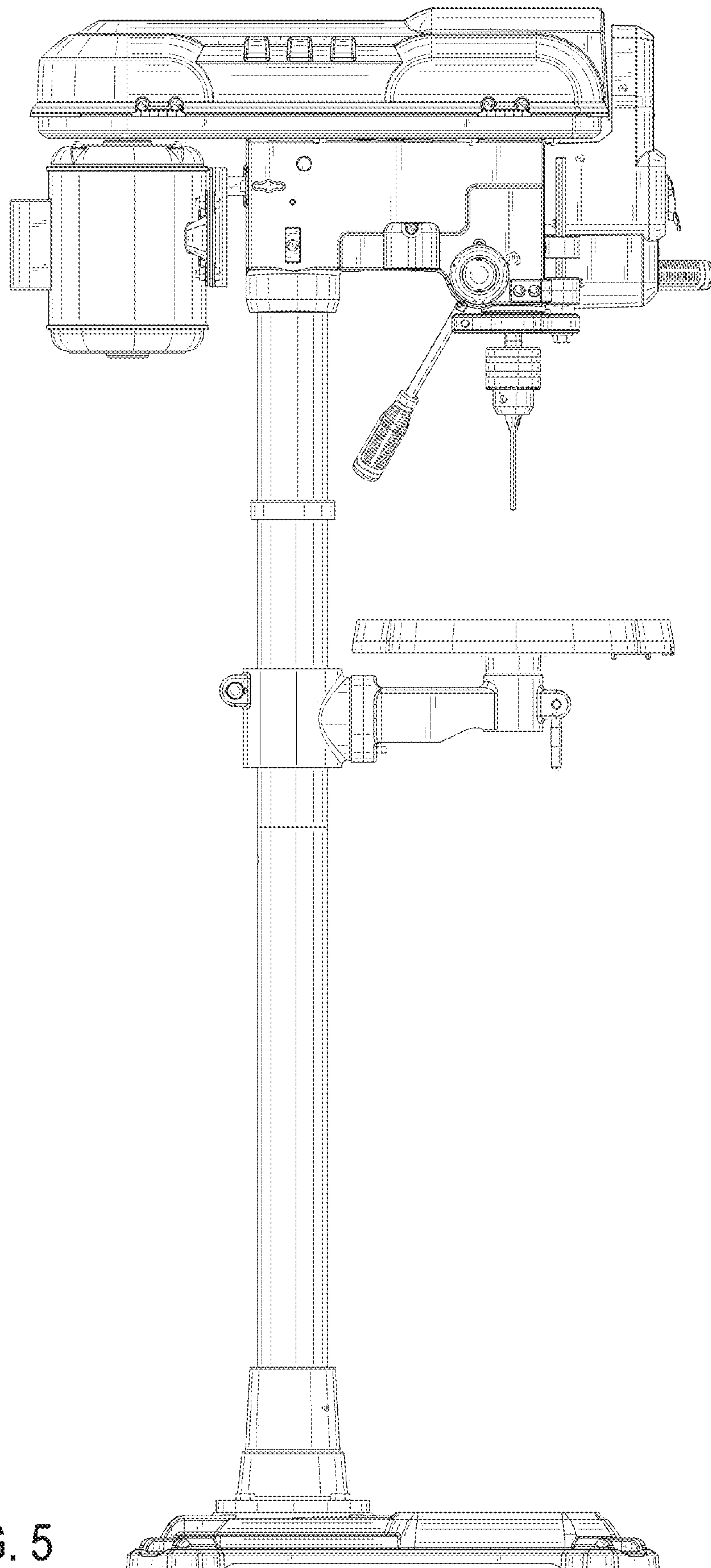


FIG. 5

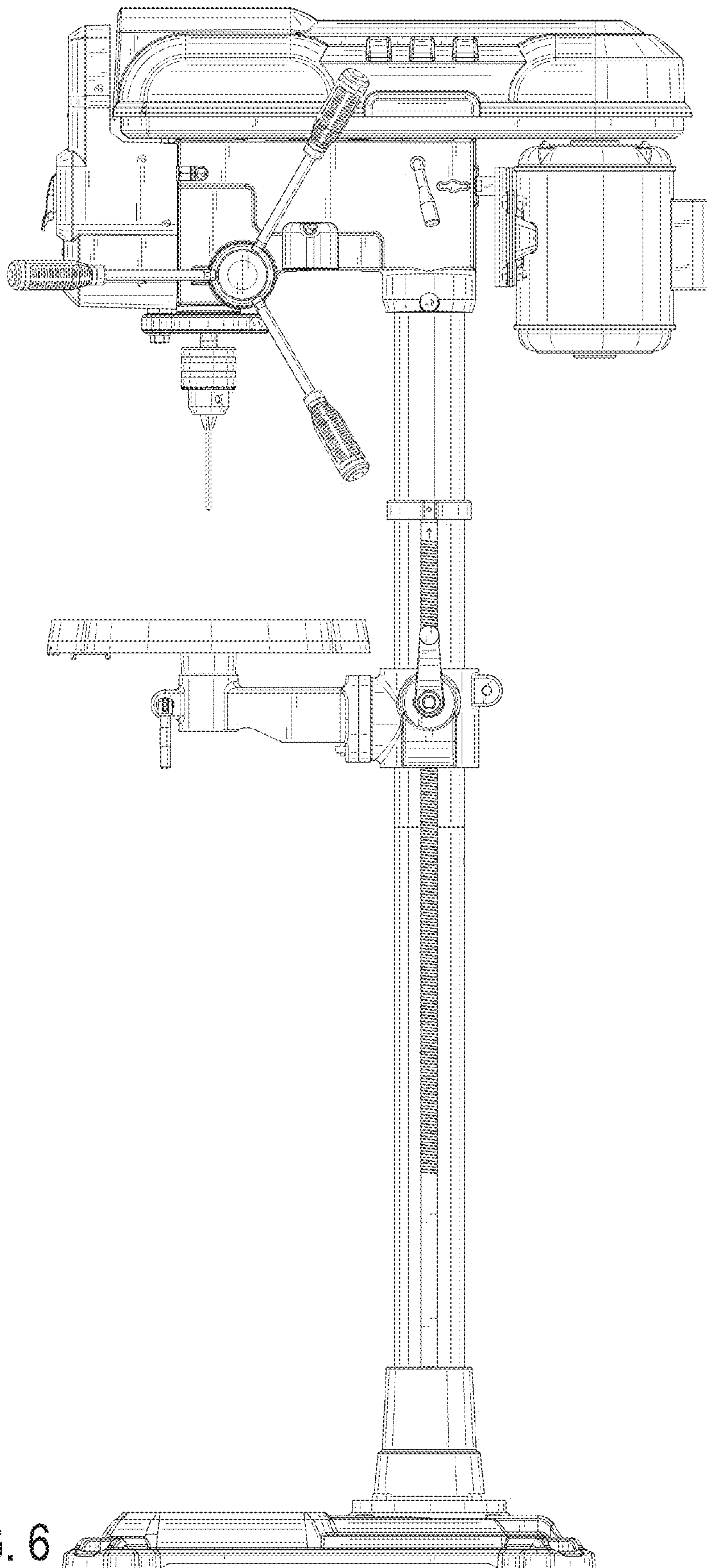


FIG. 6



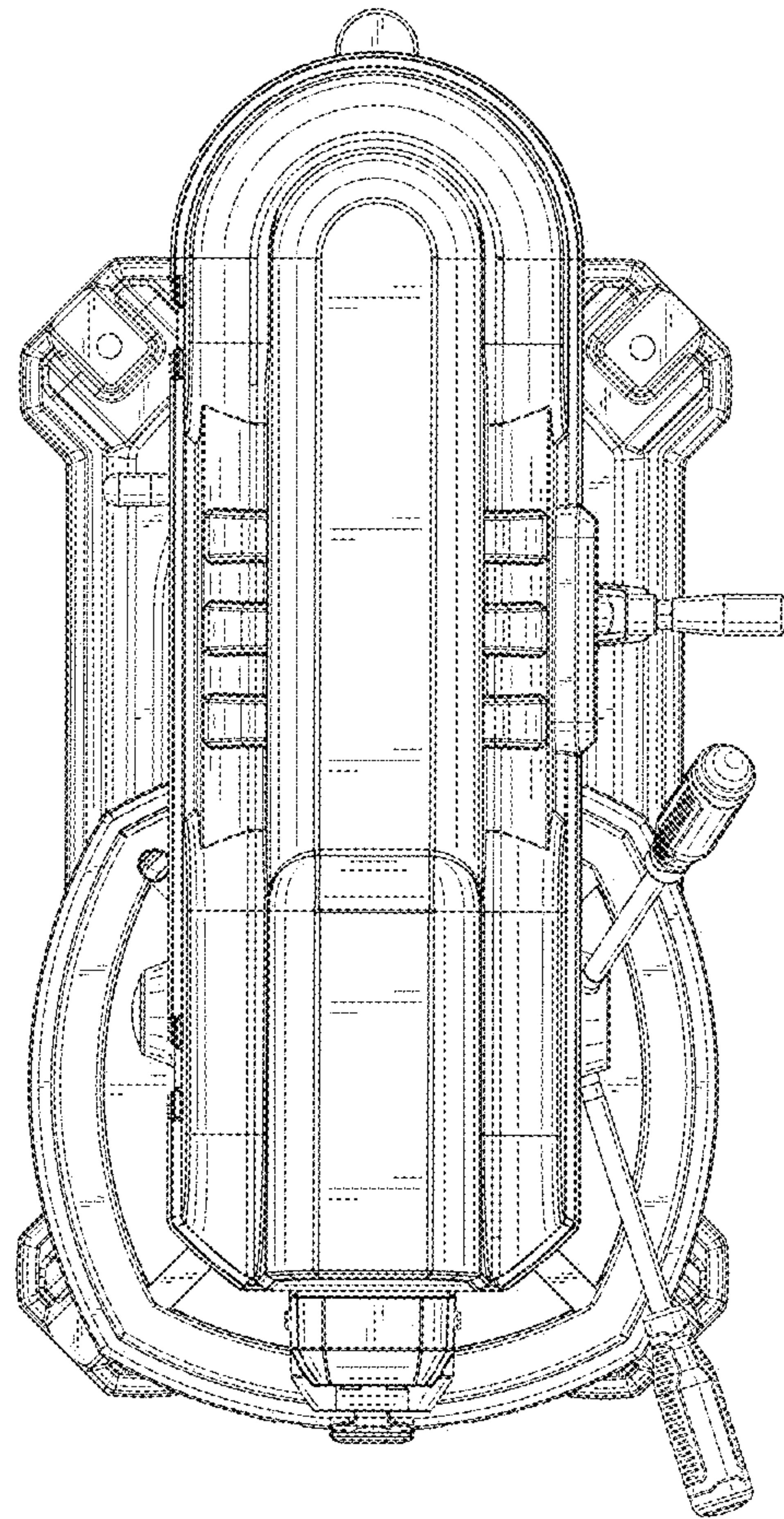


FIG. 7