



US00D926237S

(12) **United States Design Patent** (10) **Patent No.:** **US D926,237 S**  
**Chen et al.** (45) **Date of Patent:** **\*\* Jul. 27, 2021**

(54) **HEAT PRESS**

(56) **References Cited**

(71) Applicant: **Cricut, Inc.**, South Jordan, UT (US)  
(72) Inventors: **Yung Tseng Chen**, San Francisco, CA (US); **Ildefonso M. Resuello, Jr.**, Sacramento, CA (US); **Grayson Stopp**, San Francisco, CA (US); **Marc Korbuly**, Salt Lake City, UT (US); **Thomas Crisp**, Cottonwood Heights, UT (US); **Scot Herbst**, Santa Cruz, CA (US)  
(73) Assignee: **Cricut, Inc.**, South Jordan, UT (US)  
(\*\*) Term: **15 Years**  
(21) Appl. No.: **29/770,571**  
(22) Filed: **Feb. 12, 2021**

U.S. PATENT DOCUMENTS

D293,952 S	1/1988	Hsu	
6,151,814 A	11/2000	Raio et al.	
8,418,739 B2	4/2013	Robinson	
D728,885 S	5/2015	Dierker	
9,289,960 B2	3/2016	Robinson et al.	
D845,573 S	4/2019	Li et al.	
D854,064 S	7/2019	Mayer	
D873,313 S	1/2020	Galkin et al.	
D875,148 S	2/2020	Galkin et al.	
D875,149 S	2/2020	Galkin et al.	
D893,563 S	8/2020	Crisp et al.	
D893,566 S	8/2020	Chen	
D910,724 S *	2/2021	Chen .....	D15/122
2019/0184667 A1	6/2019	Cao	

\* cited by examiner

*Primary Examiner* — Patricia A Palasik

(57) **CLAIM**

The ornamental design for a heat press, as shown and described.

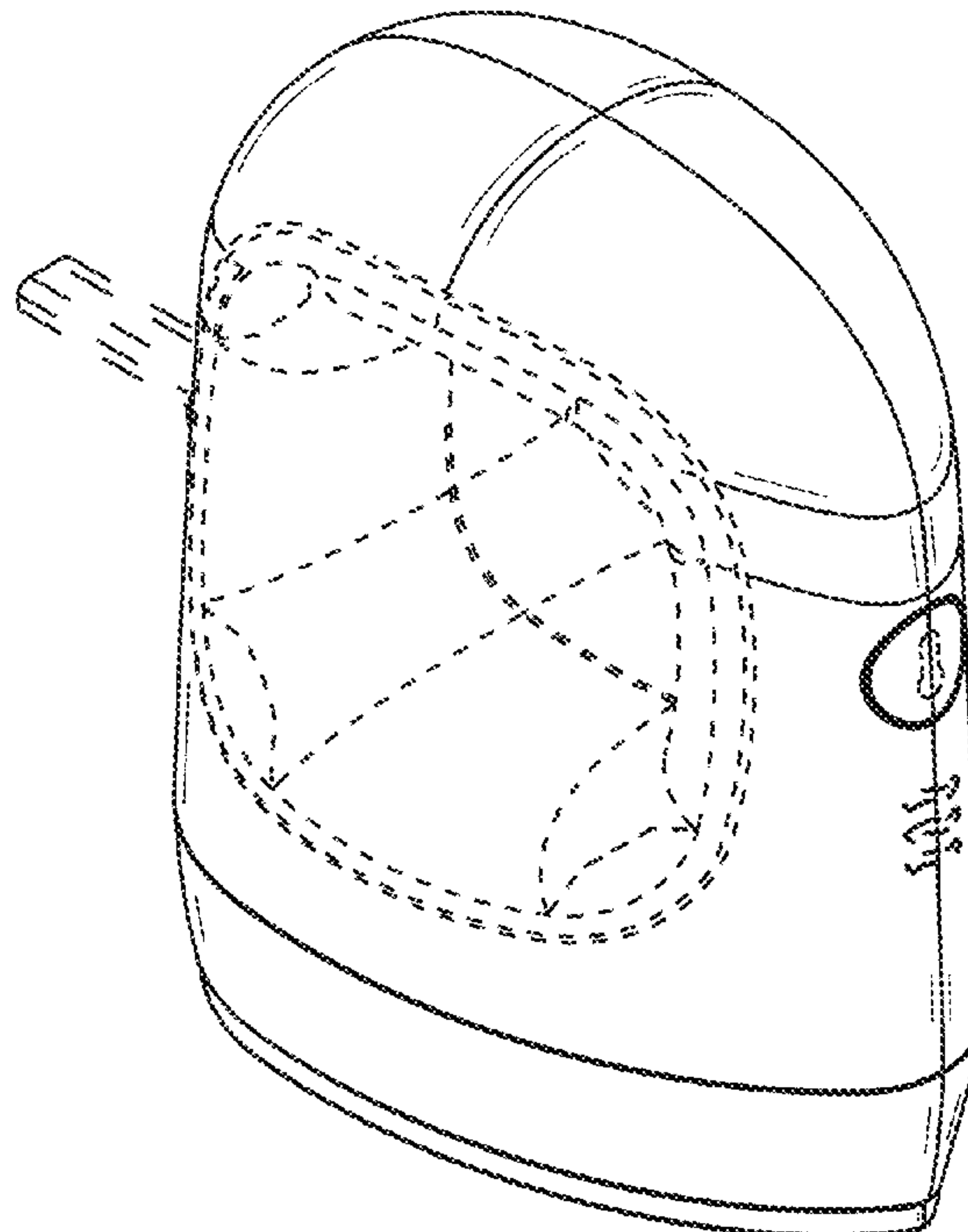
**DESCRIPTION**

FIG. 1 is a front, left, top isometric view;  
FIG. 2 is a right side elevation view;  
FIG. 3 is a left side elevation view;  
FIG. 4 is a front side elevation view;  
FIG. 5 is a back side elevation view;  
FIG. 6 is a top plan view; and,  
FIG. 7 is a bottom plan view.  
The broken lines shown in the drawings illustrate portions of the heat press that form no part of the claimed design.

**1 Claim, 7 Drawing Sheets**

**Related U.S. Application Data**

(63) Continuation of application No. 29/702,262, filed on Aug. 18, 2019, now Pat. No. Des. 910,724.  
(51) **LOC (13) Cl.** ..... **15-09**  
(52) **U.S. Cl.**  
USPC ..... **D15/122**; D15/146; D32/70  
(58) **Field of Classification Search**  
USPC ..... D15/122, 123, 145, 146; D32/70  
CPC ..... B30B 1/04; B30B 15/04; B30B 15/18;  
B30B 15/048; B30B 15/064; B30B 15/287; B30B 15/0094; B32B 37/06;  
B32B 37/0053; B32B 2309/02; B41F 16/00; B41F 16/02; B41F 16/026  
See application file for complete search history.



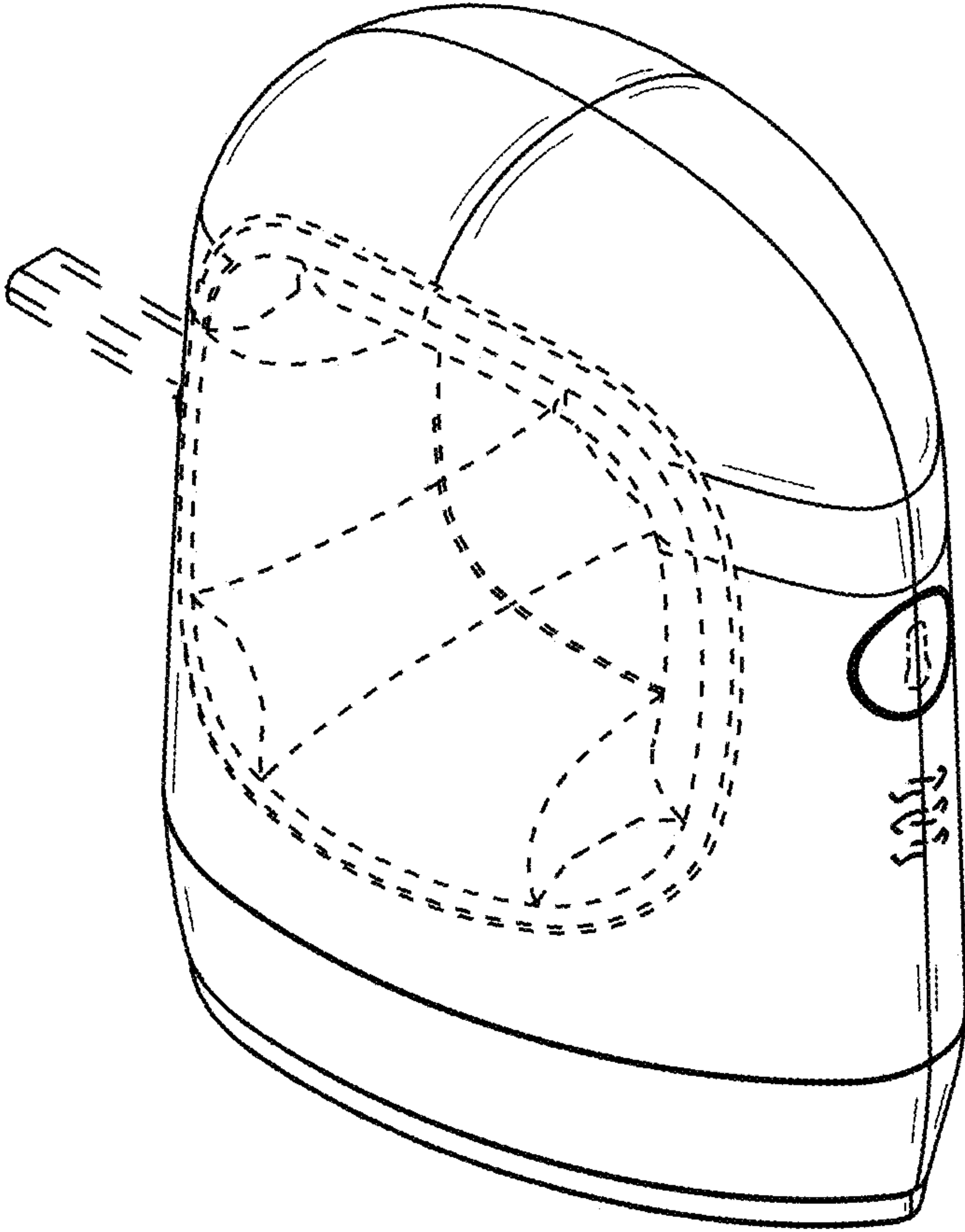


FIG. 1

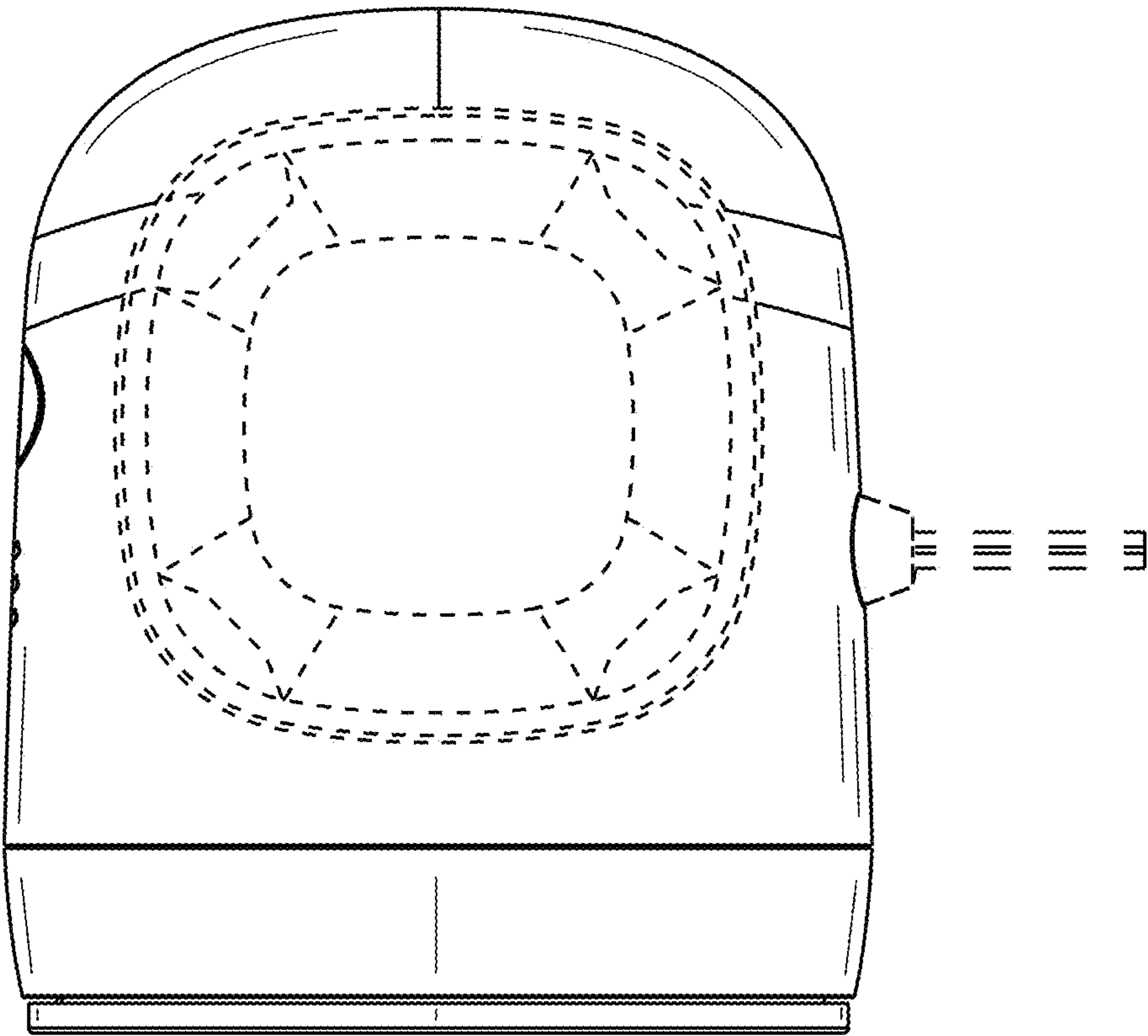


FIG. 2

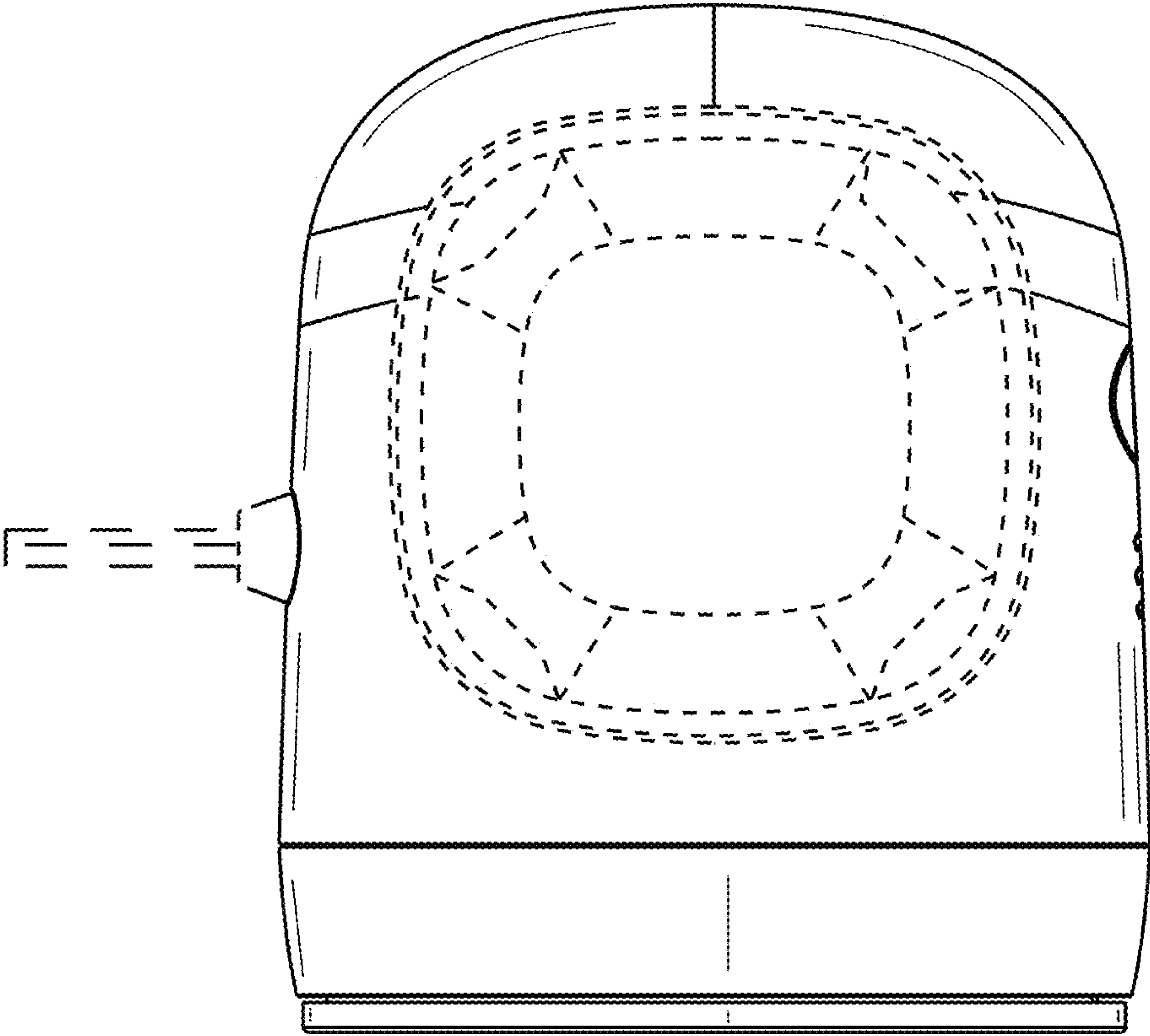


FIG. 3

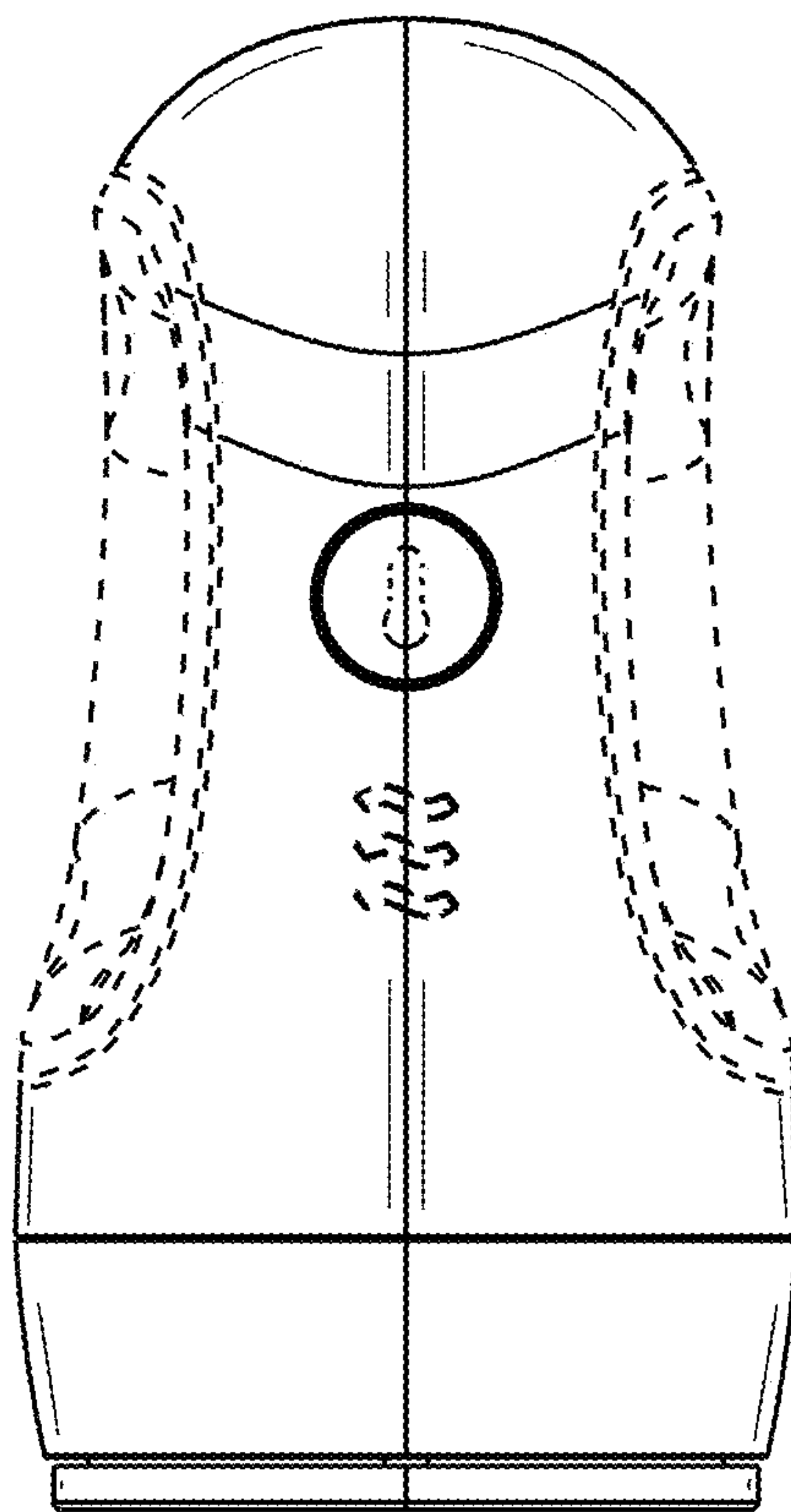


FIG. 4

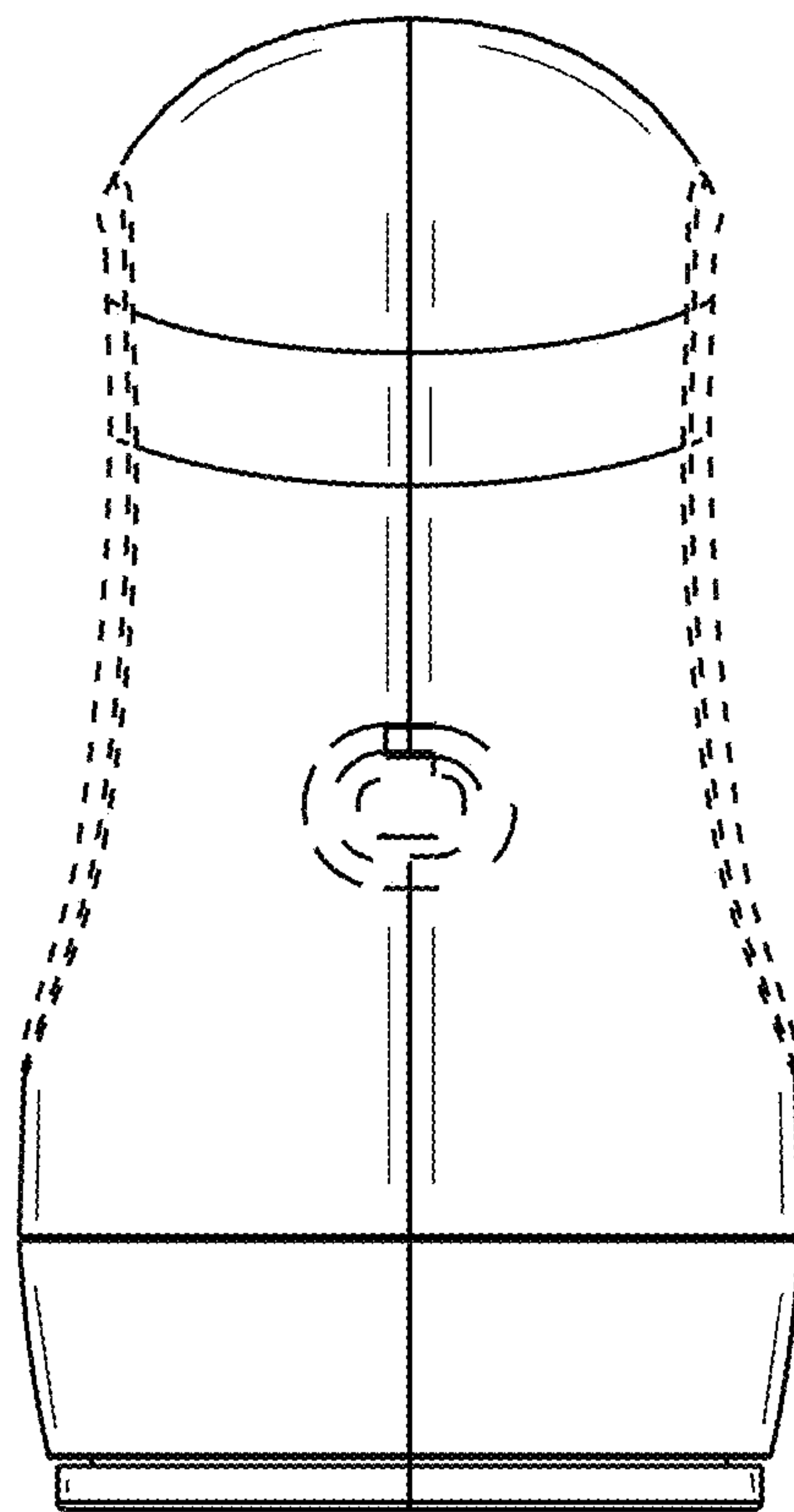


FIG. 5

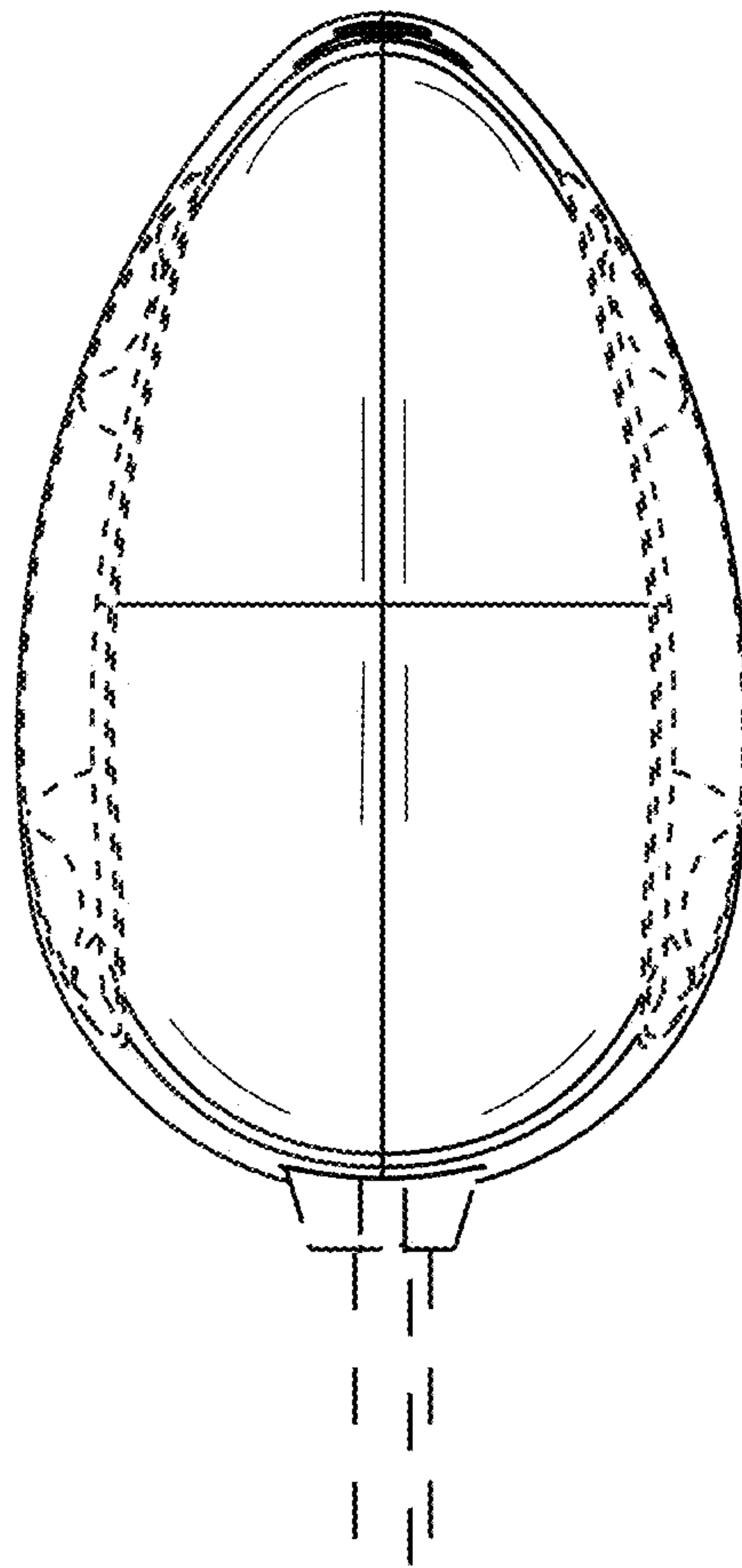


FIG. 6



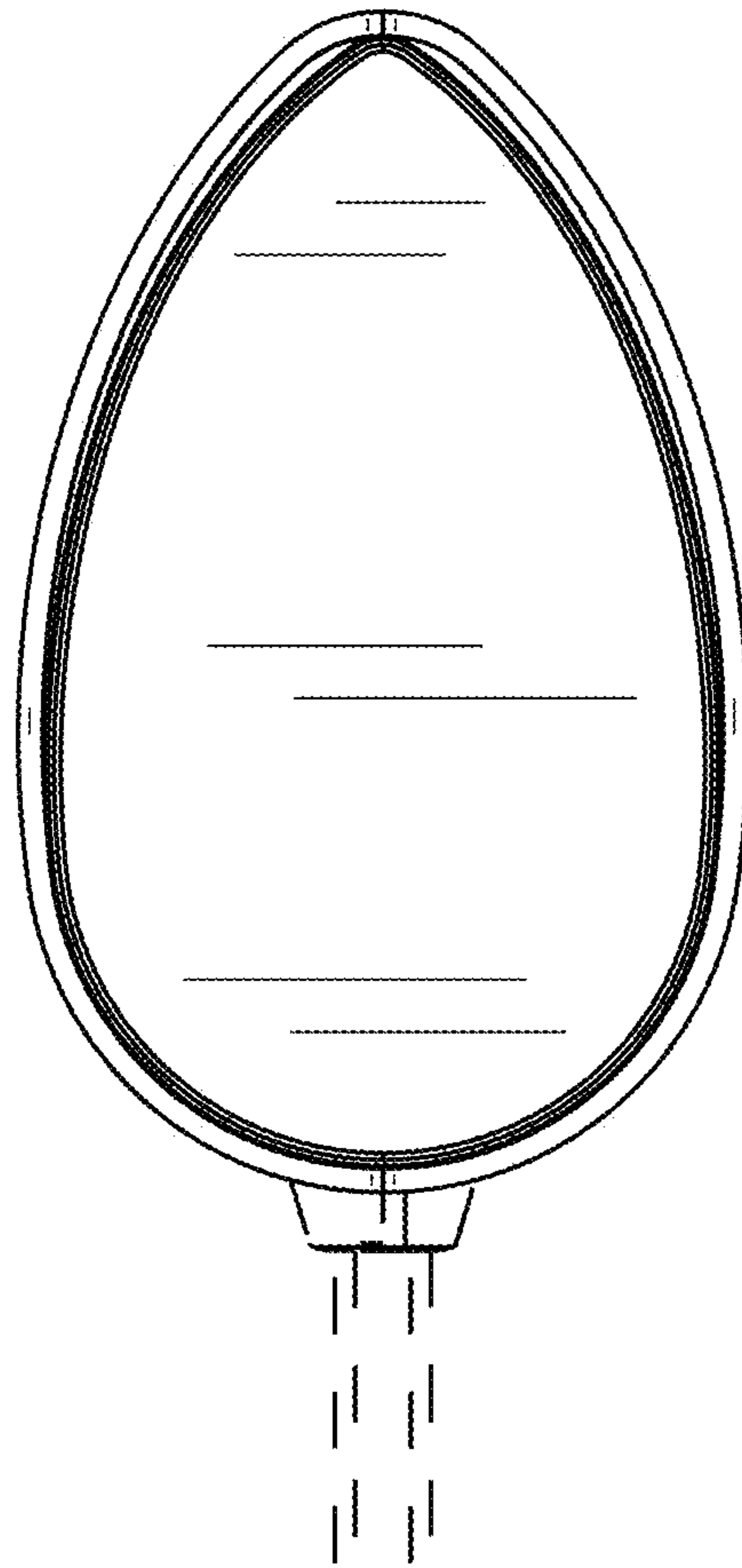


FIG. 7